

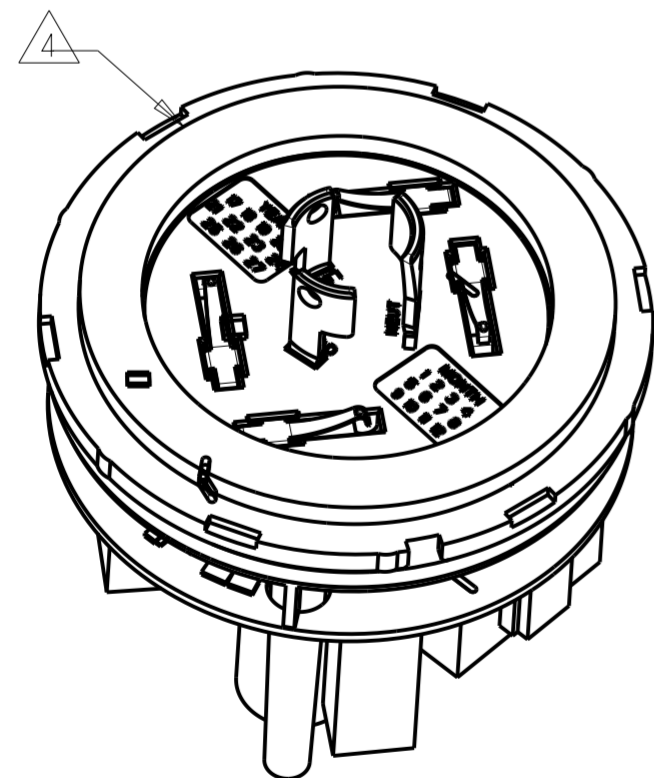
P	LTR	DESCRIPTION	DATE	DWN	APVD
	A1	ECR-21-004389	09APR2021	CD	CD

ABSOLUTE MAXIMUM RATINGS	SYMBOL	MIN	MAX	UNIT
STORAGE TEMPERATURE	$T_{stg}$	-40	105	°C
LINE TO NEUTRAL VOLTAGE	$V_{in}$	90	300	VAC
MAXIMUM AC CURRENT (RESISTIVE)	$A_{switch}$	--	8	AMPS

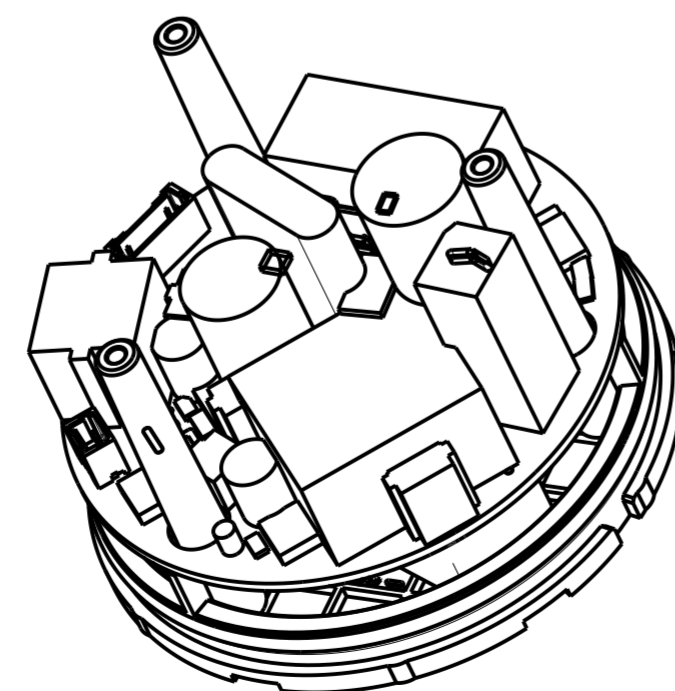
ELECTRICAL CHARACTERISTICS	
INPUT VOLTAGE RANGE	110/120, 230/240 AND 277 VAC NOMINAL SOURCES
INPUT FREQUENCY	47-63 Hz FOR 50/60 Hz NOMINAL SOURCES
MAXIMUM AC CURRENT	8 AMPS (RESISTIVE), 5 AMPS (ELECTRONIC BALLAST)@120V, 3AMPS @277V
DC POWER SUPPLIES	
DIMMING	24 VDC AT 50 mA MAXIMUM
COMMUNICATIONS	5 VDC AT 1000 mA MAXIMUM
AUXILIARY	3.3VDC AT 500 mA MAXIMUM
SURGE PROTECTION	ANSI C62.41 6 kV, 3 kA COMBINATION WAVE SURGE PROTECTION
POWER CONSUMPTION (MIN LOAD)	< 1W @ 120 VAC, < 2W @ 277 VAC
FAIL MODE	ON (NORMALLY CLOSED) OR OFF (NORMALLY OPEN)

ENVIRONMENTAL CHARACTERISTICS	
OPERATING TEMPERATURE	-40°C TO +85°C (SEE 114-133085 FOR DETAILS)
RELATIVE HUMIDITY	OPERATING: 15% TO 96%, NON-CONDENSING ENVIRONMENT.
ALTITUDE	OPERATING: -15m TO +2,000m NON-OPERATING: -15m TO +14,000m

- 1 MATERIALS:  
HOUSING: PBT  
DIMMING CONTACTS (QTY. 4): COPPER ALLOY  
LINE VOLTAGE CONTACTS (QTY. 3): COPPER ALLOY  
GASKET: VINYL/NITRILE FOAM  
O-RING: SILICONE RUBBER  
PCBA: FR4
- 2 FINISH:  
DIMMING CONTACTS: NICKEL UNDERPLATE ENTIRE  
CONTACT 0.127 μm MIN THICK. SELECTIVE GOLD PLATE CONTACT MATING AREA (MATING FACE SIDE ONLY) 0.76 μm MIN THICK. MATTE TIN PLATE TAB ON BOTH SIDES 0.30 μm MIN THICK.  
LINE VOLTAGE CONTACTS: MATTE TIN PLATE
- 3 MATING INTERFACE PER ANSI C136.41-2013.
- 4 ADHESIVE BACKED GASKET SUPPLIED BUT NOT INSTALLED.
- 5 ADDITIONAL COVERS (P/N: 2306130-X) AVAILABLE CONTACT TE CONNECTIVITY FOR MORE OPTIONS.
- 6. THIS PRODUCT HAS NOT COMPLETED VALIDATION TESTING.
- 7. MUST COMPLY WITH DIRECTIVE 2002/95/EC (ROHS)
- 8. IN ADDITION TO THE STANDARD PRODUCT PART NUMBERS, OTHER CONFIGURATIONS MAY BE AVAILABLE FOR SPECIAL ORDER. PLEASE CONTACT A TE CONNECTIVITY SALES OFFICE FOR MORE INFO.
- 9 NOT PRODUCTION TOOLED



SCALE 1:1

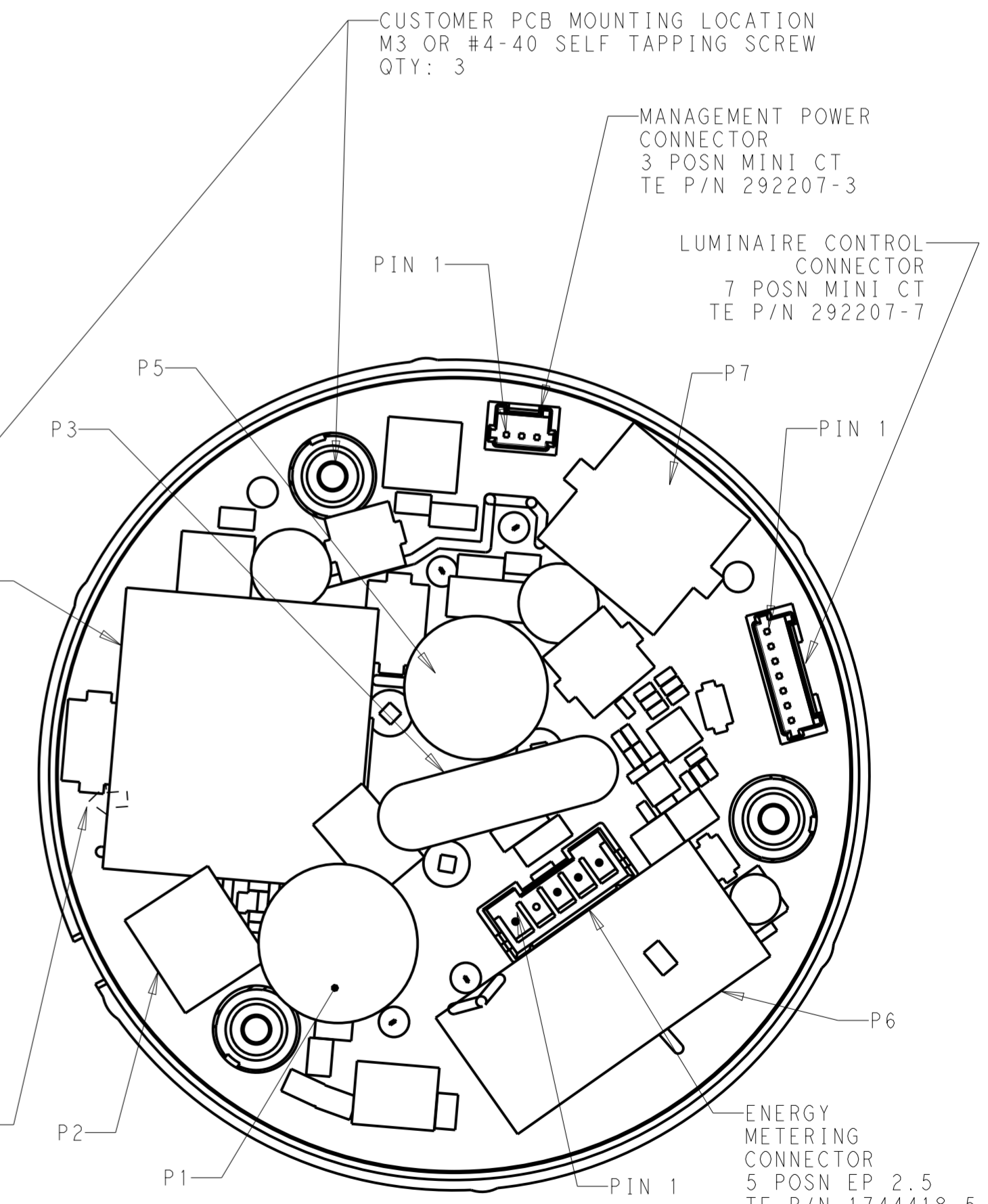
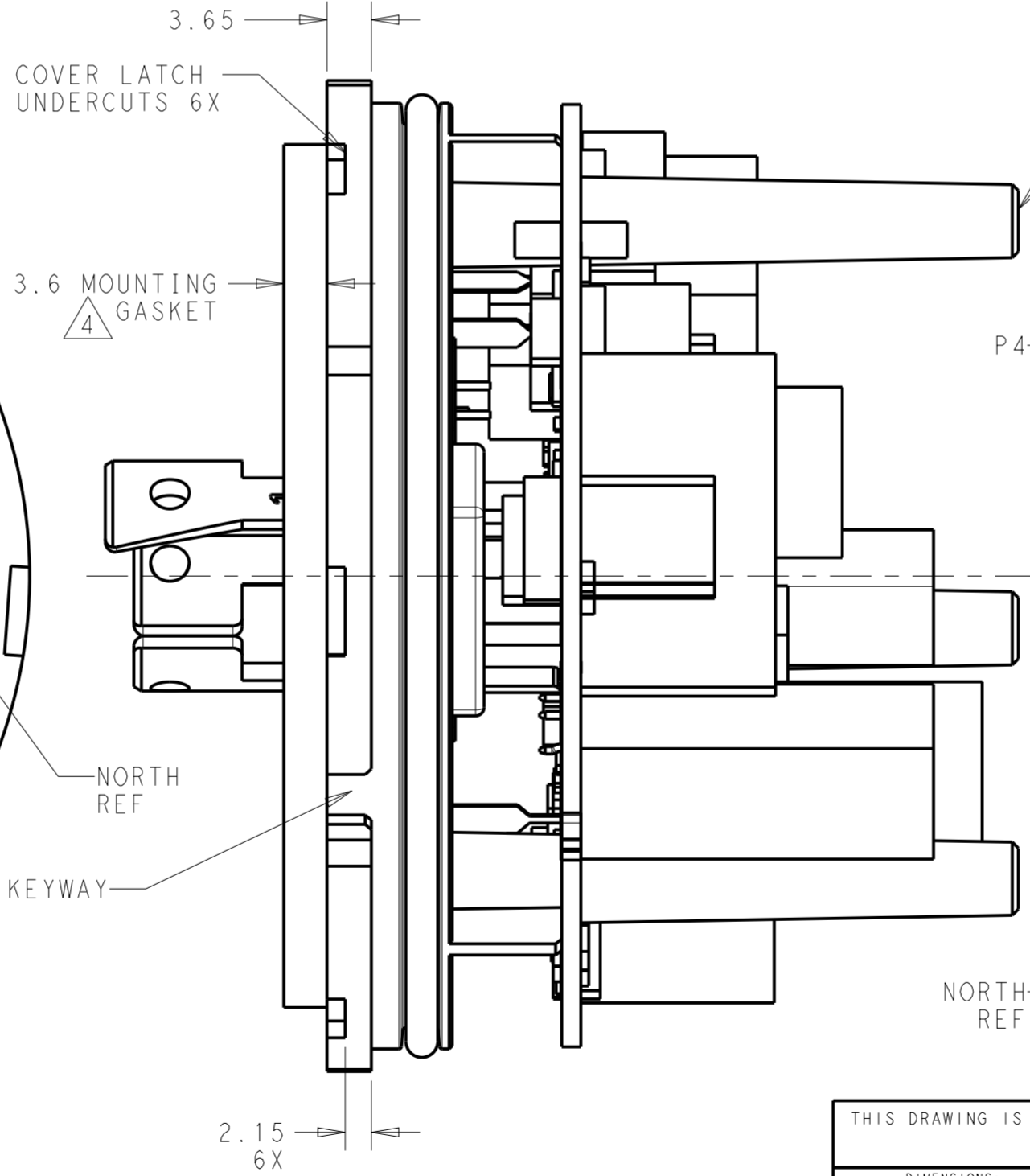
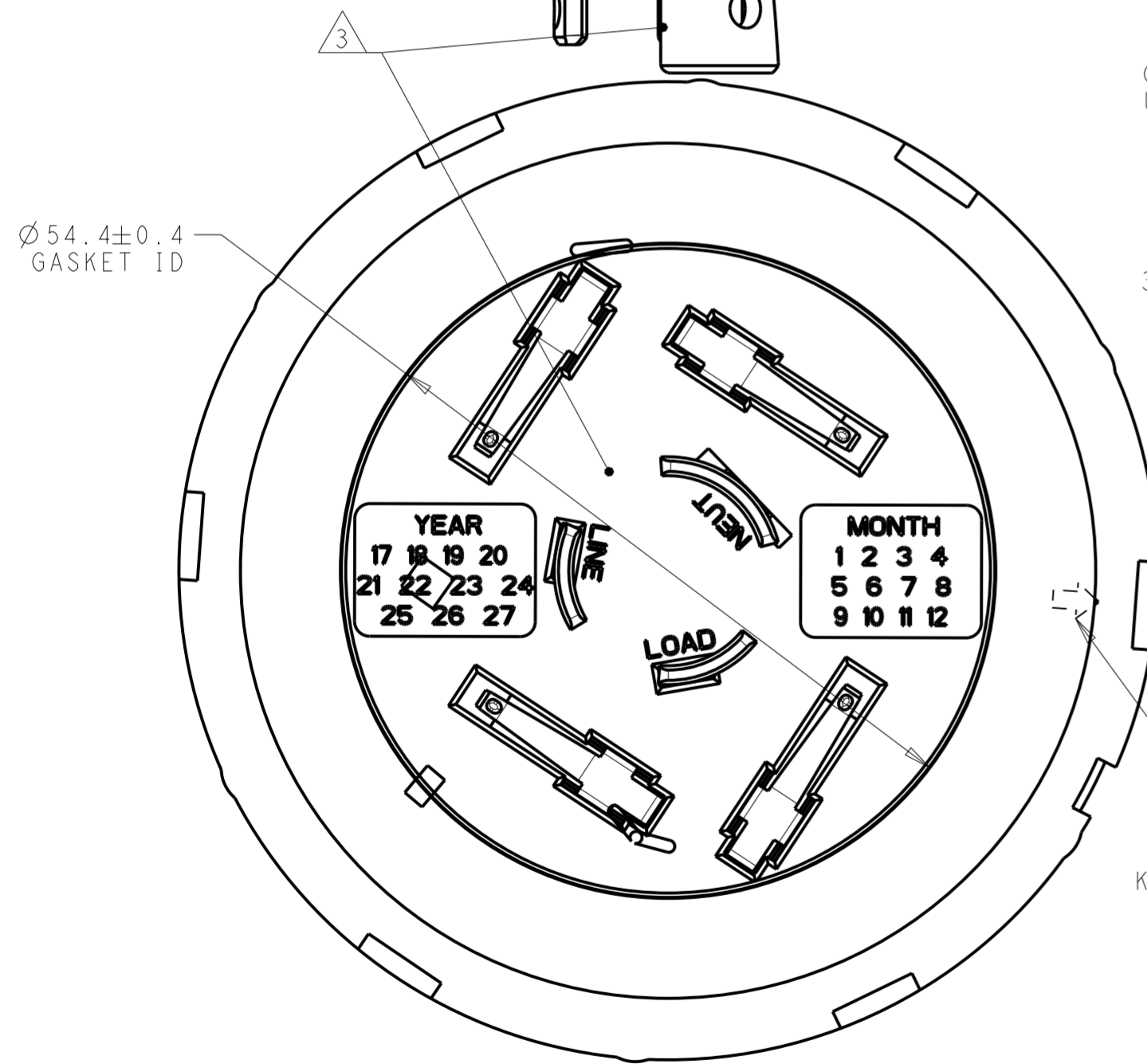
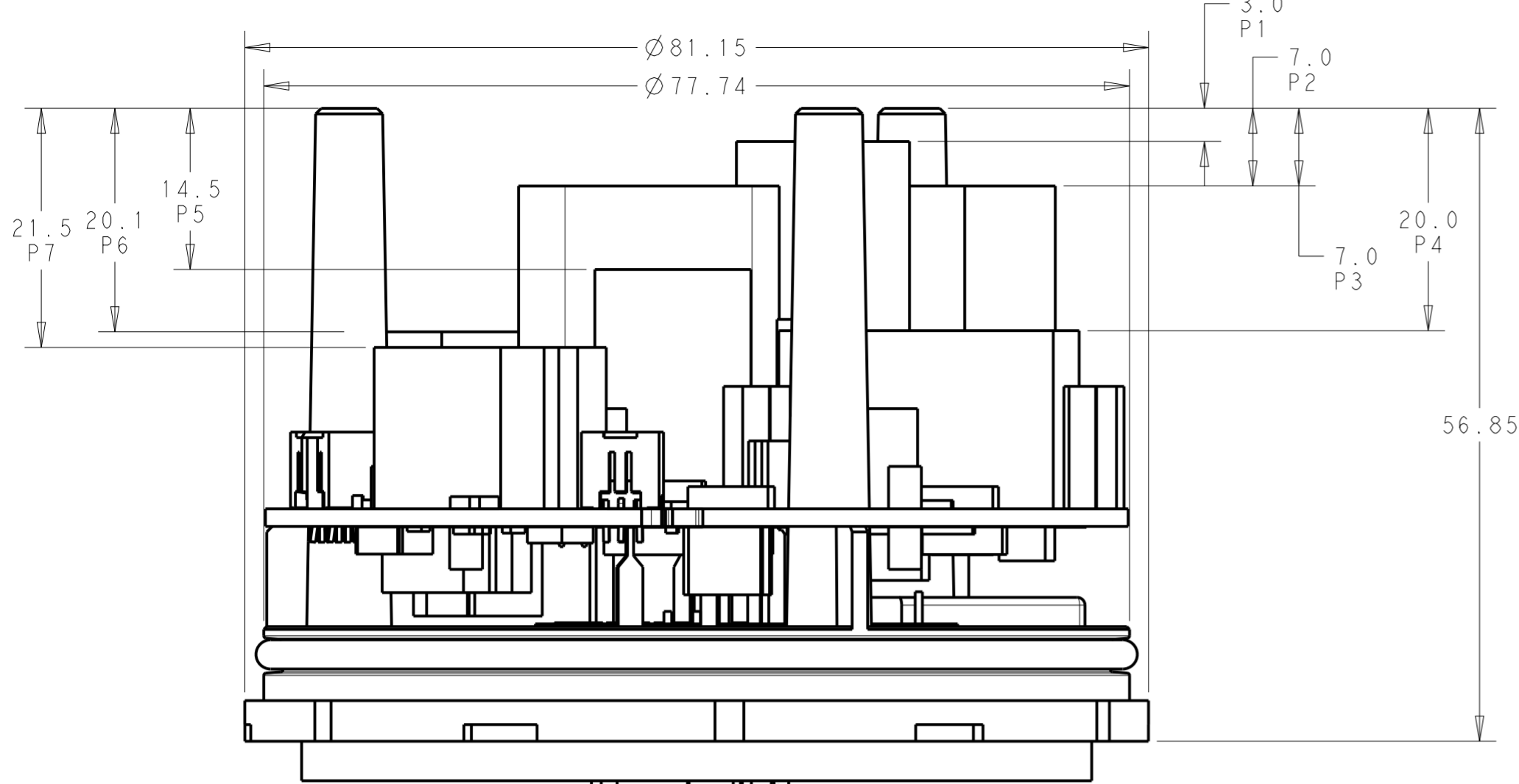


SCALE 1:1

9	YES	50Hz	YES	YES	OFF	4-2314786-2
9	YES	50Hz	YES	YES	ON	4-2314786-1
9	YES	60Hz	YES	YES	OFF	3-2314786-2
9	YES	60Hz	YES	YES	ON	3-2314786-1
	NO	50Hz	YES	YES	OFF	1-2314786-2
	NO	50Hz	YES	YES	ON	1-2314786-1
	NO	60Hz	YES	YES	OFF	2314786-2
	NO	60Hz	YES	YES	ON	2314786-1
	VENT	FREQ.	ENERGY METERING HEADER	ZERO CROSS	FAIL MODE	PART NO.

THIS DRAWING IS A CONTROLLED DOCUMENT.		DWN C. DAILY 30DEC2016	TE Connectivity	
		CHK C. GINGRICH 30DEC2016		
DIMENSIONS:	TOLERANCES UNLESS OTHERWISE SPECIFIED:	APVD	NAME ASSEMBLY, LUMAWISE ENDURANCE N ENHANCED BASE	
mm	0 PLC ± 1 PLC ±0.35 2 PLC ±0.25 3 PLC ± 4 PLC ±	PRODUCT SPEC 108-133085	RESTRICTED TO	
	ANGLES ±3° FINISH	APPLICATION SPEC 114-133085	SIZE A2	CAGE CODE 00779
MATERIAL		WEIGHT	DRAWING NO C-2314786	SCALE 2:1
		CUSTOMER DRAWING	SHEET 1 OF 4	REV A1

P	LTR	DESCRIPTION	DATE	DWN	APVD
-	-	SEE SHEET 1	-	-	-



THIS DRAWING IS A CONTROLLED DOCUMENT.		DWN C. DAILY 30DEC2016	TE Connectivity	
		CHK C. GINGRICH 30DEC2016		
DIMENSIONS: mm		TOLERANCES UNLESS OTHERWISE SPECIFIED:		NAME ASSEMBLY, LUMAWISE ENDURANCE N ENHANCED BASE
0 PLC ± 1 PLC ±0.35 2 PLC ±0.25 3 PLC ± 4 PLC ± ANGLES ±3° FINISH -		PRODUCT SPEC 108-133085	APVD	SIZE A2
MATERIAL -		APPLICATION SPEC 114-133085	WEIGHT -	CAGE CODE A200779
		CUSTOMER DRAWING	SCALE 2:1	DRAWING NO C-2314786
			SHEET 2 OF 4	REV A1

P	LTR	DESCRIPTION	DATE	DWN	APVD
-	-	SEE SHEET 1	-	-	-

2.5 MAX  
AT LOCATION P1

21.3 MAX  
TO FIT UNDER TE COVER  
PN: 2306130-X

OPTIONAL FLAT TO  
INDICATE NORTH

TALLEST COMPONENT  
P1 THIS QUADRANT

TALLEST COMPONENT  
P5 THIS QUADRANT

Ø 3.40  
3X

Ø 70.00  
MAX

4.2°  
REF

22.2°  
REF

TALLEST  
COMPONENT  
P5 THIS  
QUADRANT

120°  
3X

TALLEST COMPONENT  
P3 THIS QUADRANT

Ø 63.00


TOP SIDE

Ø 6.0  
KEEP OUT  
TOWER MOUNTING  
3 PLACES

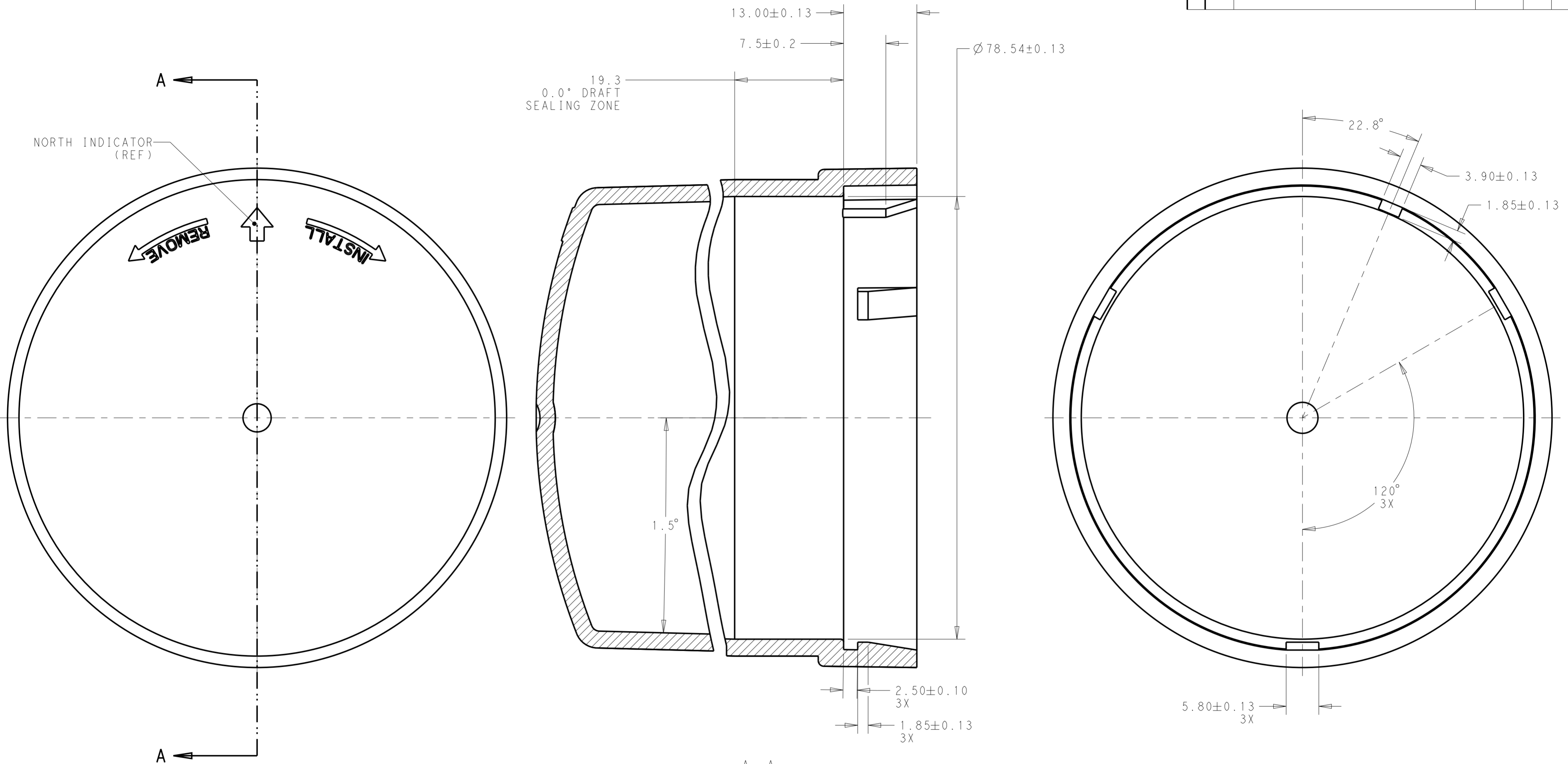
67  
REF

RECOMMENDED CUSTOMER PCB  
SCALE 3:1

1.60

THIS DRAWING IS A CONTROLLED DOCUMENT.		DWN C. DAILY 30DEC2016	 TE Connectivity	
		CHK C. GINGRICH 30DEC2016		
DIMENSIONS: mm		APVD		NAME ASSEMBLY, LUMAWISE ENDURANCE N ENHANCED BASE
TOLERANCES UNLESS OTHERWISE SPECIFIED: 0 PLC ± 1 PLC ±0.35 2 PLC ±0.25 3 PLC ± 4 PLC ± ANGLES ±3° FINISH		PRODUCT SPEC 108-133085		SIZE 114-133085
MATERIAL		APPLICATION SPEC 114-133085		RESTRICTED TO
		WEIGHT		SCALE 2:1 SHEET 3 OF 4 REV A1
		CUSTOMER DRAWING		

P	LTR	DESCRIPTION	DATE	DWN	APVD
-		SEE SHEET 1	-	-	-



SECTION A-A

MATING COVER DIMENSIONS FOR 81MM DIAMETER BASES (2306130-X REF) 5

THIS DRAWING IS A CONTROLLED DOCUMENT.		DWN C. DAILY 30DEC2016	<b>STE</b> TE Connectivity	
		CHK C. GINGRICH 30DEC2016		
DIMENSIONS:		APVD	NAME ASSEMBLY, LUMAWISE ENDURANCE N ENHANCED BASE	
mm	TOLERANCES UNLESS OTHERWISE SPECIFIED:	PRODUCT SPEC 108-133085	SIZE A200779	
	0 PLC ±	APPLICATION SPEC 114-133085	CAGE CODE C-2314786	DRAWING NO
	1 PLC ±0.35	WEIGHT	RESTRICTED TO	
	2 PLC ±0.25	CUSTOMER DRAWING	SCALE 2:1 SHEET 4 OF 4 REV A1	
	3 PLC ±			
	4 PLC ±			
	ANGLES ±3°			
	FINISH			

## X-ON Electronics

Largest Supplier of Electrical and Electronic Components

*Click to view similar products for [LED Lighting Development Tools](#) category:*

*Click to view products by [TE Connectivity](#) manufacturer:*

Other Similar products are found below :

[MIC2870YFT EV](#) [ADP8860DBCP-EVALZ](#) [LM3404MREVAL](#) [ADM8843EB-EVALZ](#) [TDGL014](#) [ISL97682IRTZEVALZ](#) [LM3508TLEV](#)  
[EA6358NH](#) [MAX16826EVKIT](#) [MAX16839EVKIT+](#) [TPS92315EVM-516](#) [MAX1698EVKIT](#) [MAX6956EVKIT+](#) [OM13321,598](#) [DC986A](#)  
[DC909A](#) [DC824A](#) [STEVAL-LLL006V1](#) [IS31LT3948-GRLS4-EB](#) [104PW03F](#) [PIM526](#) [PIM527](#) [MAX6946EVKIT+](#) [MAX20070EVKIT#](#)  
[MAX21610EVKIT#](#) [MAX20090BEVKIT#](#) [MAX20092EVSYS#](#) [PIM498](#) [AP8800EV1](#) [ZXLD1370/1EV4](#) [MAX6964EVKIT](#)  
[MAX25240EVKIT#](#) [MAX25500TEVKITC#](#) [MAX77961BEVKIT06#](#) [TLC59116EVM-390](#) [1216.1013](#) [TPS61176EVM-566](#) [TPS61197EVM](#)  
[TPS92001EVM-628](#) [1270](#) [1271.2004](#) [1272.1030](#) [1273.1010](#) [1278.1010](#) [1279.1002](#) [1279.1001](#) [1282.1000](#) [1293.1900](#) [1293.1800](#) [1293.1700](#)