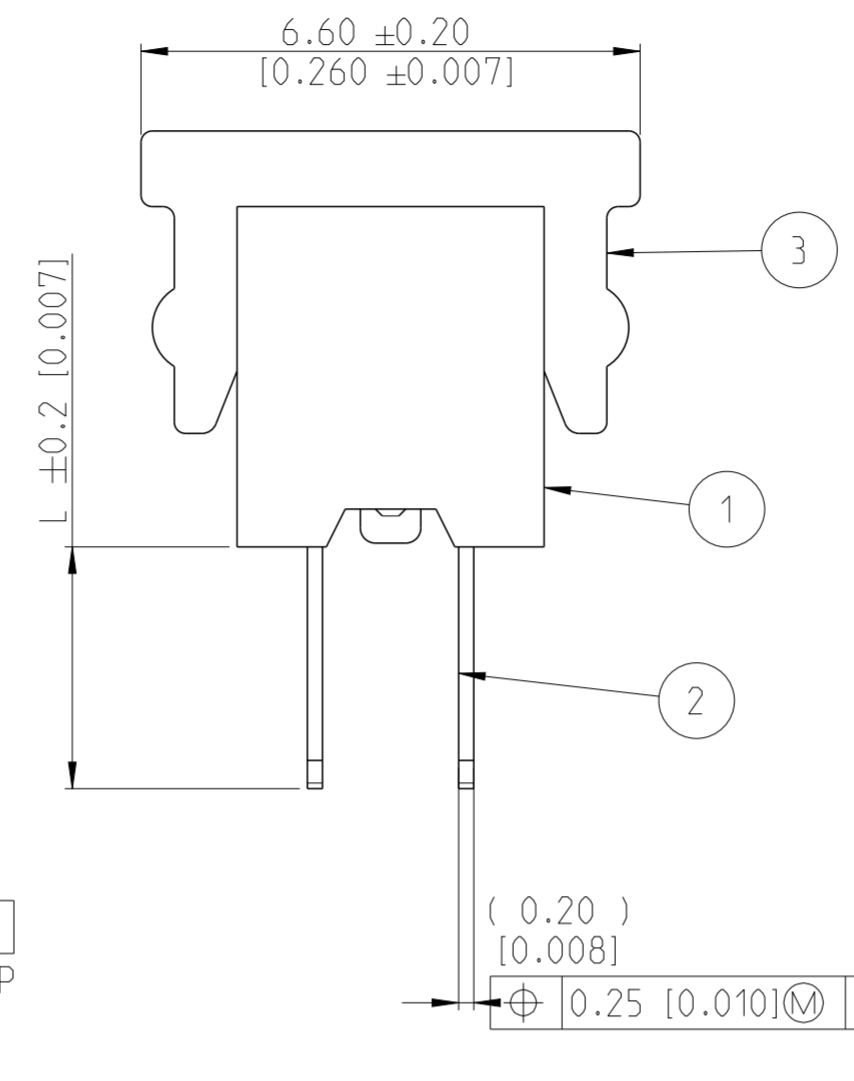
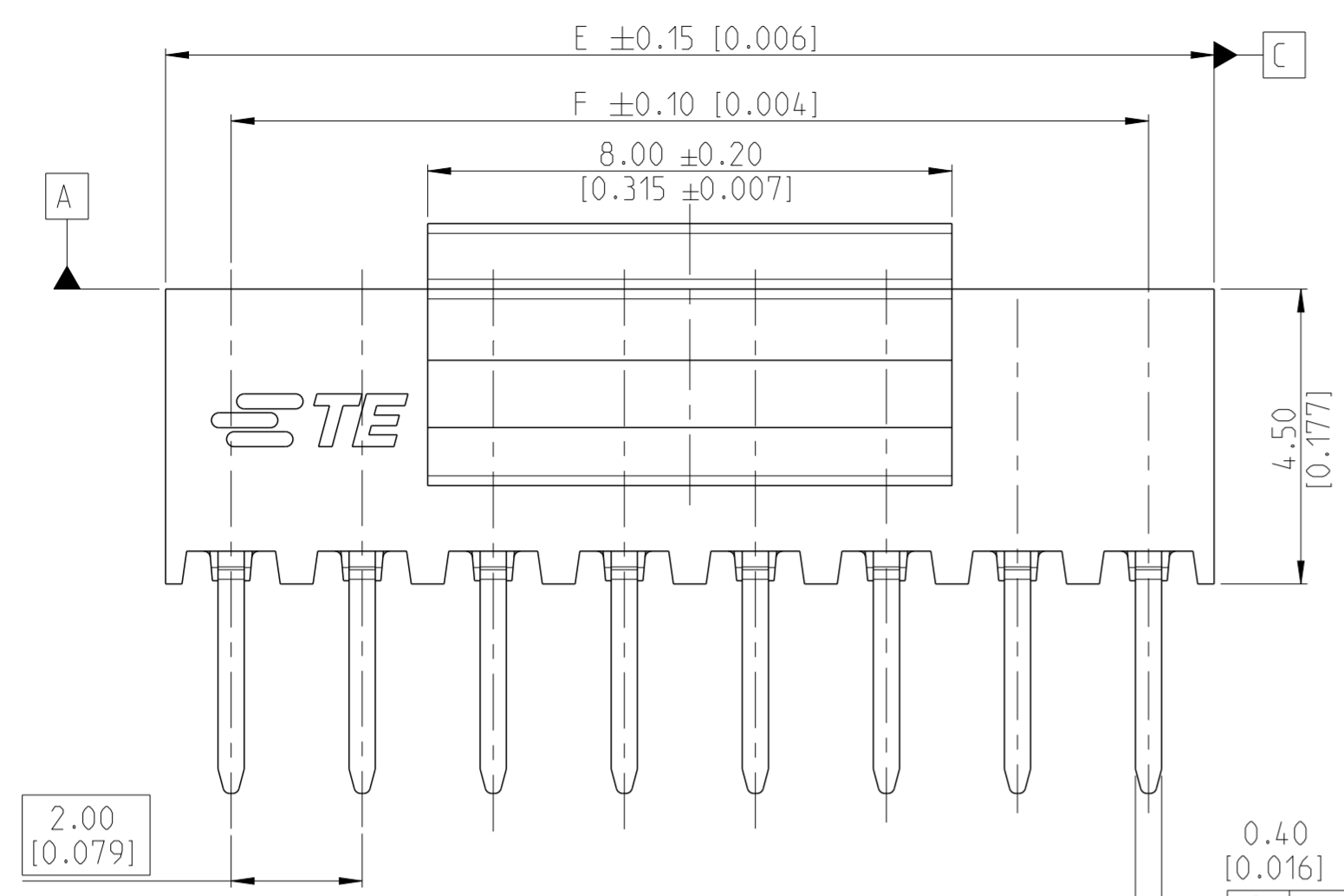
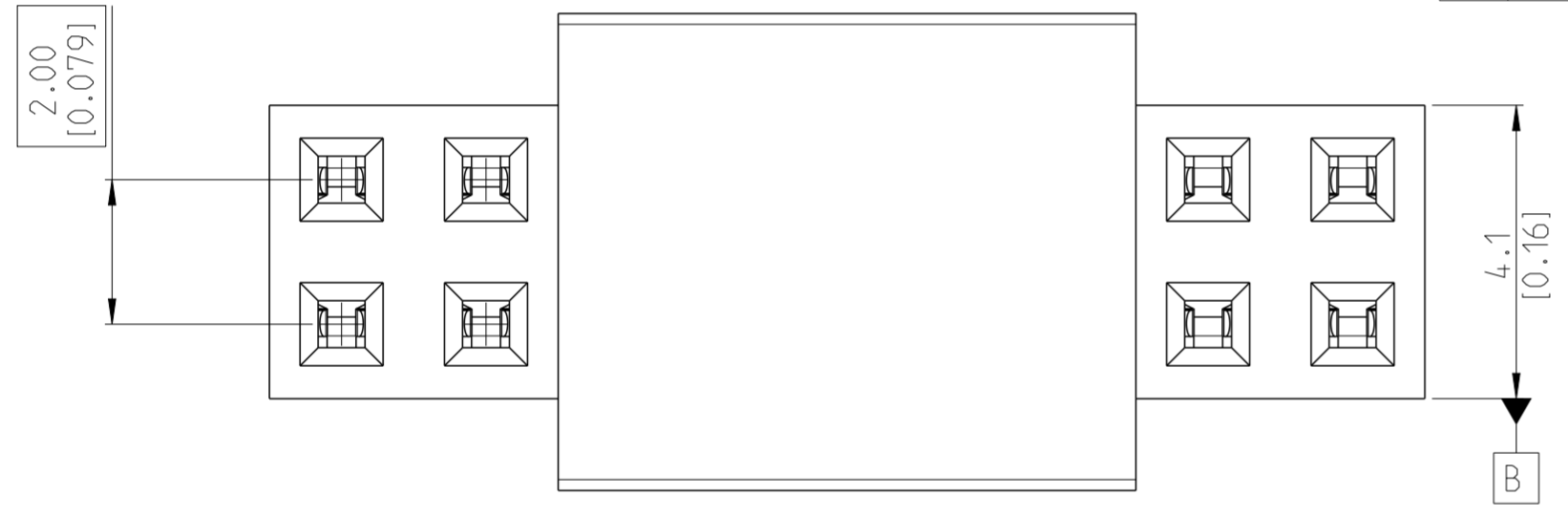


THIS DRAWING IS UNPUBLISHED. RELEASED FOR PUBLICATION 20  
 © COPYRIGHT 20 BY - ALL RIGHTS RESERVED.

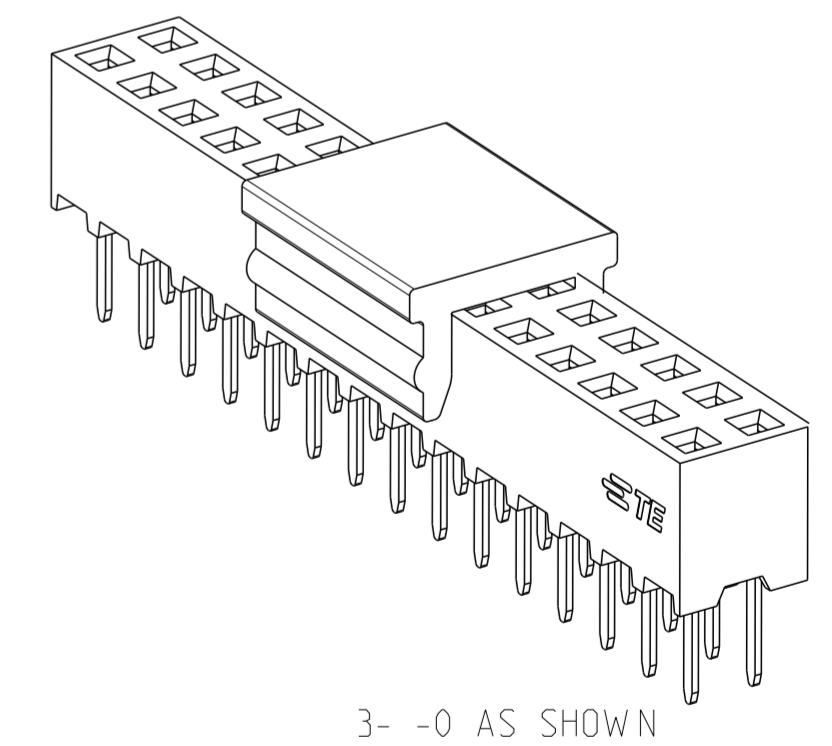
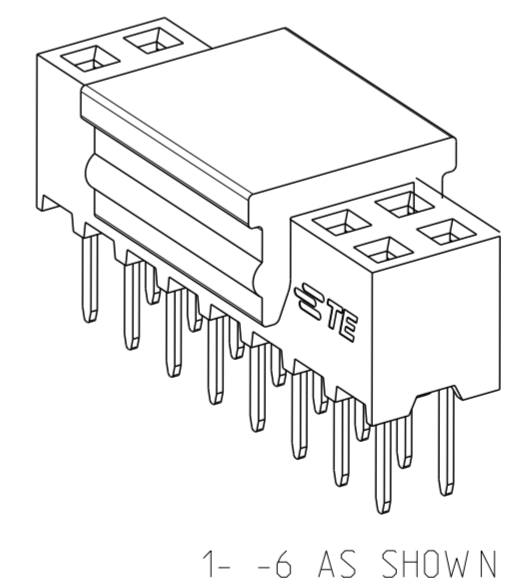
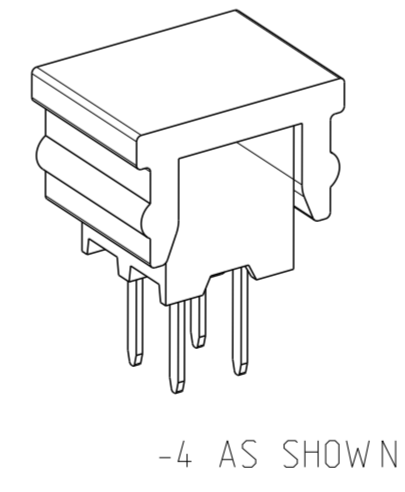
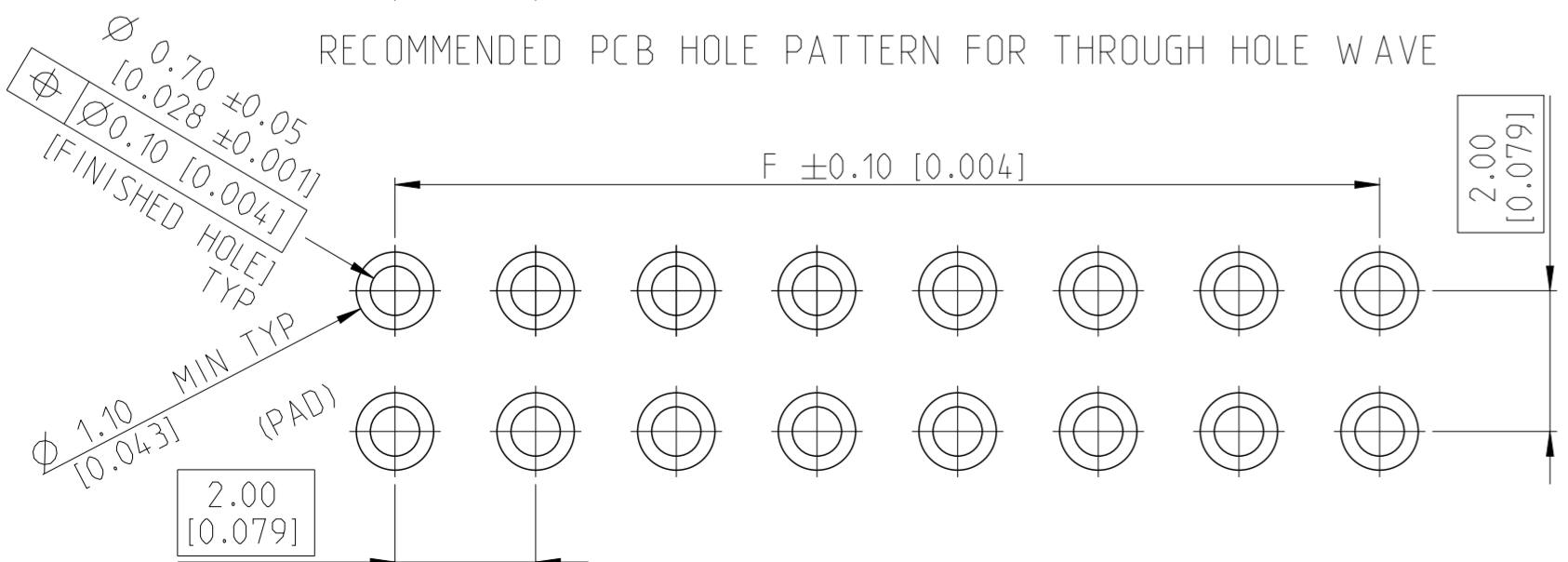
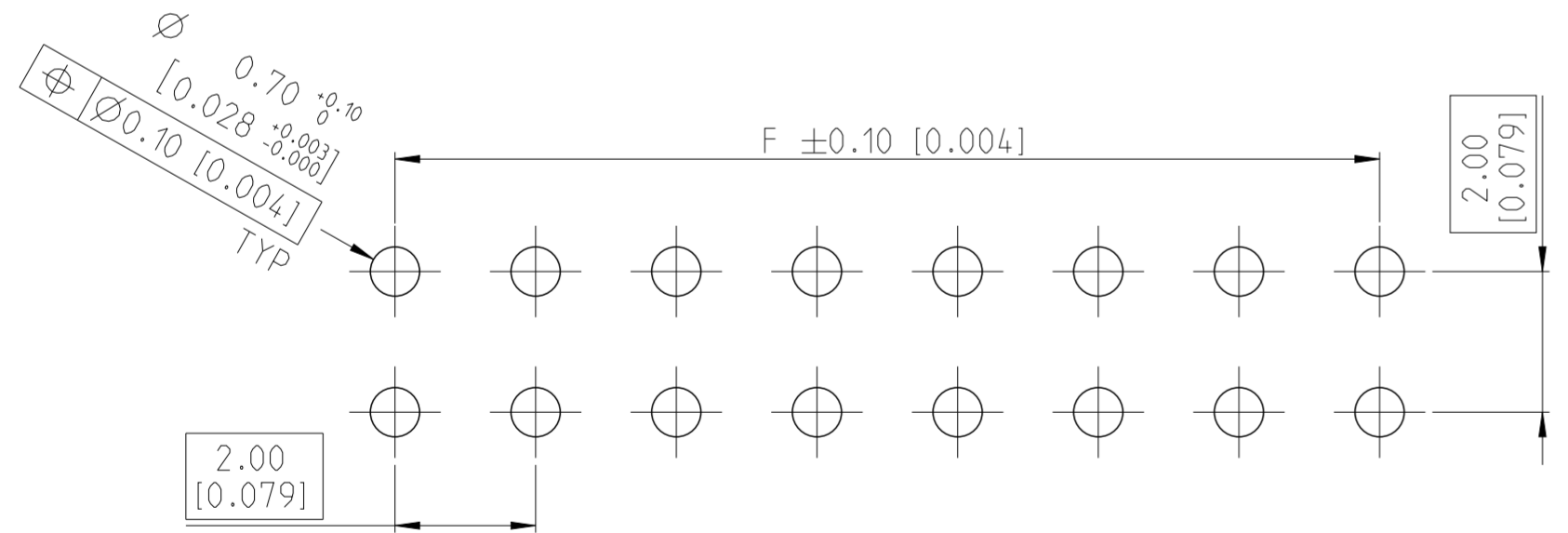
REVISIONS				
P	LTR	DESCRIPTION	DATE	APVD
A		RELEASE GOLD PLATED VERSIONS TO PRODUCTION	04SEP2019	AY PS
A1		RELEASE TIN PLATED VERSIONS TO PRODUCTION	14APR2020	AY PS



- NOTES:
- MATERIAL:  
HOUSING AND P&P CAP: LCP, UL94 V0, BLACK  
CONTACT: PHOSPHOR BRONZE, 0.20mm THICK
- FINISH:
- △2 ALL OVER 3-5 μm TIN OVER MIN 1.27 μm NICKEL UNDERPLATE
  - △3 CONTACT AREA: MIN 0.1 μm GOLD  
SOLDER TAIL: 3-5 μm TIN  
UNDERPLATING: MIN 1.27 μm NICKEL ALL OVER
  - △4 CONTACT AREA: MIN 0.38 μm GOLD  
SOLDER TAIL: 3-5 μm TIN  
UNDERPLATING: MIN 1.27 μm NICKEL ALL OVER
  - △5 CONTACT AREA: MIN 0.76 μm GOLD  
SOLDER TAIL: 3-5 μm TIN  
UNDERPLATING: MIN 1.27 μm NICKEL ALL OVER
6. N = NO. OF POSITIONS PER CONNECTOR



P&P CAP	3
CONTACT	2
HOUSING	1
DESCRIPTION	ITEM



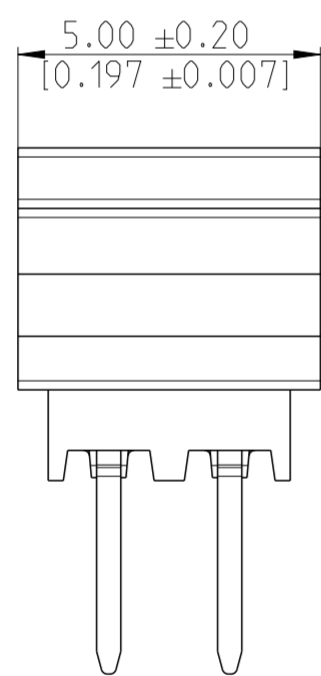
THIS DRAWING IS A CONTROLLED DOCUMENT.		DWN 02NOV2017 SOURAV DAS	TE Connectivity	
DIMENSIONS: mm [inch]		CHK 19JULY2018 SHARATH S		
TOLERANCES UNLESS OTHERWISE SPECIFIED:		APVD 19JULY2018 PRASHANTH S	NAME AMPMODU 2mm BtB DRVT TOP ENTRY TH/THR	
0 PLC ±		PRODUCT SPEC 108-64040	SIZE CAGE CODE DRAWING NO RESTRICTED TO	
1 PLC ±0.2		APPLICATION SPEC 114-32186	A2 00779 C-2307776	
2 PLC ±0.1 [0.008]		WEIGHT -	SCALE 5:1 SHEET 1 OF 2 REV A1	
3 PLC ± [0.004]		CUSTOMER DRAWING		
4 PLC ±				
ANGLES ±2°				
FINISH SEE NOTES				

THIS DRAWING IS UNPUBLISHED. RELEASED FOR PUBLICATION 20  
 © COPYRIGHT 20 BY - ALL RIGHTS RESERVED.

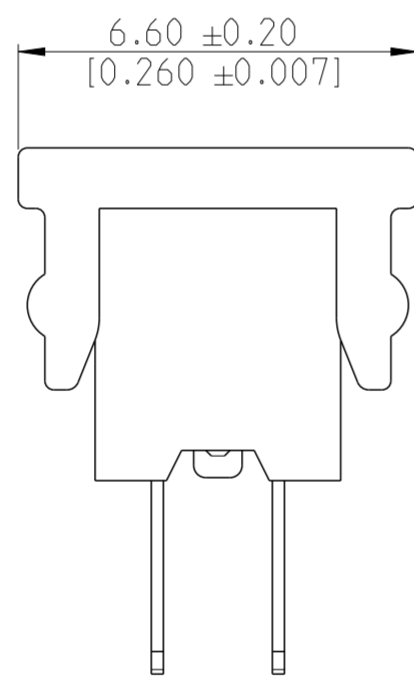
REVISIONS				
P	LTR	DESCRIPTION	DATE	APVD
-		SEE SHEET 1	-	-

MATING SIDE PLATING (FINISH)	"L" SOLDER TAIL LENGTH	BTB RECEPTACLE BASE NUMBERS		
		TAPE & REEL PKG W / CAP	TUBE PKG W / CAP	TUBE PKG W / O CAP
TIN △ <sub>2</sub>	2.0[0.079]	2307776	2314811	A/R
	2.7[0.106]	2307777	2314823	2314819
	3.2[0.126]	A/R	A/R	2307778
GOLD FLASH 0.1 μm △ <sub>3</sub>	2.0[0.079]	2307779	2314812	A/R
	2.7[0.106]	2307780	2314824	2314820
	3.2[0.126]	A/R	A/R	2307781
GOLD 0.38 μm △ <sub>4</sub>	2.0[0.079]	2307782	2314813	A/R
	2.7[0.106]	2307783	2314825	2314821
	3.2[0.126]	A/R	A/R	2307784
GOLD 0.76 μm △ <sub>5</sub>	2.0[0.079]	2307785	2314814	A/R
	2.7[0.106]	2307786	2314826	2314822
	3.2[0.126]	A/R	A/R	2307787

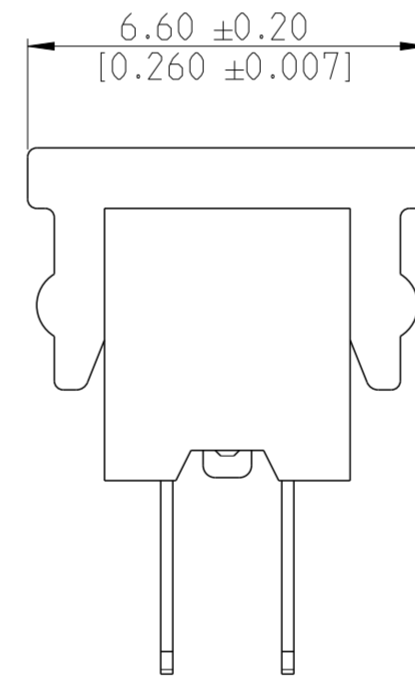
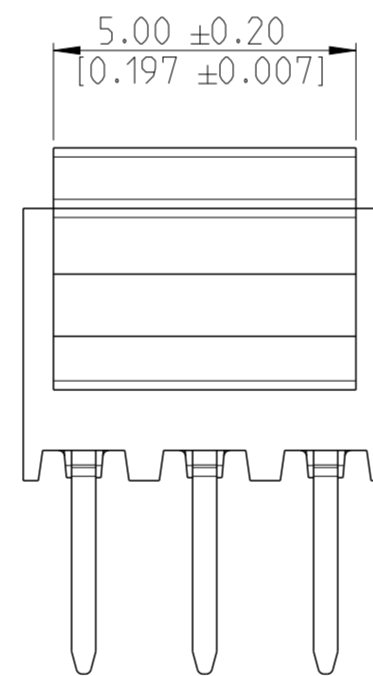
\* A/R- AVAILABLE ON REQUEST



-4 AS SHOWN



-6 AS SHOWN



48	50	50	5- -0
46	48	48	4- -8
44	46	46	4- -6
42	44	44	4- -4
40	42	42	4- -2
38	40	40	4- -0
36	38	38	3- -8
34	36	36	3- -6
32	34	34	3- -4
30	32	32	3- -2
28	30	30	3- -0
26	28	28	2- -8
24	26	26	2- -6
22	24	24	2- -4
20	22	22	2- -2
18	20	20	2- -0
16	18	18	1- -8
14	16	16	1- -6
12	14	14	1- -4
10	12	12	1- -2
8	10	10	1- -0
6	8	8	-8
4	6	6	-6
2	4	4	-4
DIM "F"	DIM "E"	N	FG PN

THIS DRAWING IS A CONTROLLED DOCUMENT.		DWN 02NOV2017 SOURAV DAS	TE Connectivity	
DIMENSIONS: mm [inch]		CHK 19JULY2018 SHARATH S		
TOLERANCES UNLESS OTHERWISE SPECIFIED:		APVD 19JULY2018 PRASHANTH S	NAME AMPMODU 2mm BtB DRVT TOP ENTRY TH/THR	
0 PLC ±		PRODUCT SPEC 108-64040	SIZE A2	
1 PLC ±0.2		APPLICATION SPEC 114-32186	CAGE CODE 00779	DRAWING NO C-2307776
2 PLC ±0.1 [0.008]		WEIGHT -	RESTRICTED TO -	
3 PLC ± [0.004]		CUSTOMER DRAWING	SCALE 5:1	SHEET 2 OF 2
4 PLC ±			REV A1	
ANGLES ±2°				
FINISH				
MATERIAL SEE NOTES				
SEE NOTES				

## X-ON Electronics

Largest Supplier of Electrical and Electronic Components

*Click to view similar products for [Board to Board & Mezzanine Connectors](#) category:*

*Click to view products by [TE Connectivity](#) manufacturer:*

Other Similar products are found below :

[589158040000018](#) [MDF7C-18P-2.54DSA\(55\)](#) [FCN-230C068-11](#) [FCN-268F012-G/BD](#) [FCN-268F036-G/BD](#) [FCN-268M012-G/0D](#) [FCN-268M024-G/1D](#) [FCN-723J004/1](#) [MIS-048-01-F-D-DP-K](#) [832-10-034-10-001000](#) [FX4C-80S-1.27DSA](#) [FCN-214Q030-G/0](#) [FCN-234P048-G/0](#) [FCN-235D050-G/C](#) [210-93-314-41-105000](#) [2-22603-0](#) [MDF7-40DP-2.54DSA\(55\)](#) [AXG720047](#) [5031084030](#) [MIT-114-03-F-D-K](#) [55323-1519](#) [DF33-2P-3.3DSA\(24\)](#) [YFT-20-05-H-03-SB-K](#) [503308-3040](#) [026-6203-PDB](#) [027-6203-PDB](#) [069159702701000](#) [10123981-102LF](#) [101A10019X](#) [55650-0588-C](#) [68682-310LF](#) [68684-306](#) [75140-7012](#) [87471-650](#) [194261-1](#) [FCN-268F024-G0D](#) [10124054-515LF](#) [68685-603](#) [8-1616154-3](#) [MIS-019-01-F-D](#) [FCN-268M024-G/3D](#) [20021832-06016C1LF](#) [KX15-20KLDL-E1000E](#) [MDF7-16DP-2.54DSA\(55\)](#) [AXE810124](#) [FCN-214J100-G/0](#) [FCN-230C068-E/S](#) [AXE812124](#) [AXE816124](#) [AXE720127](#)