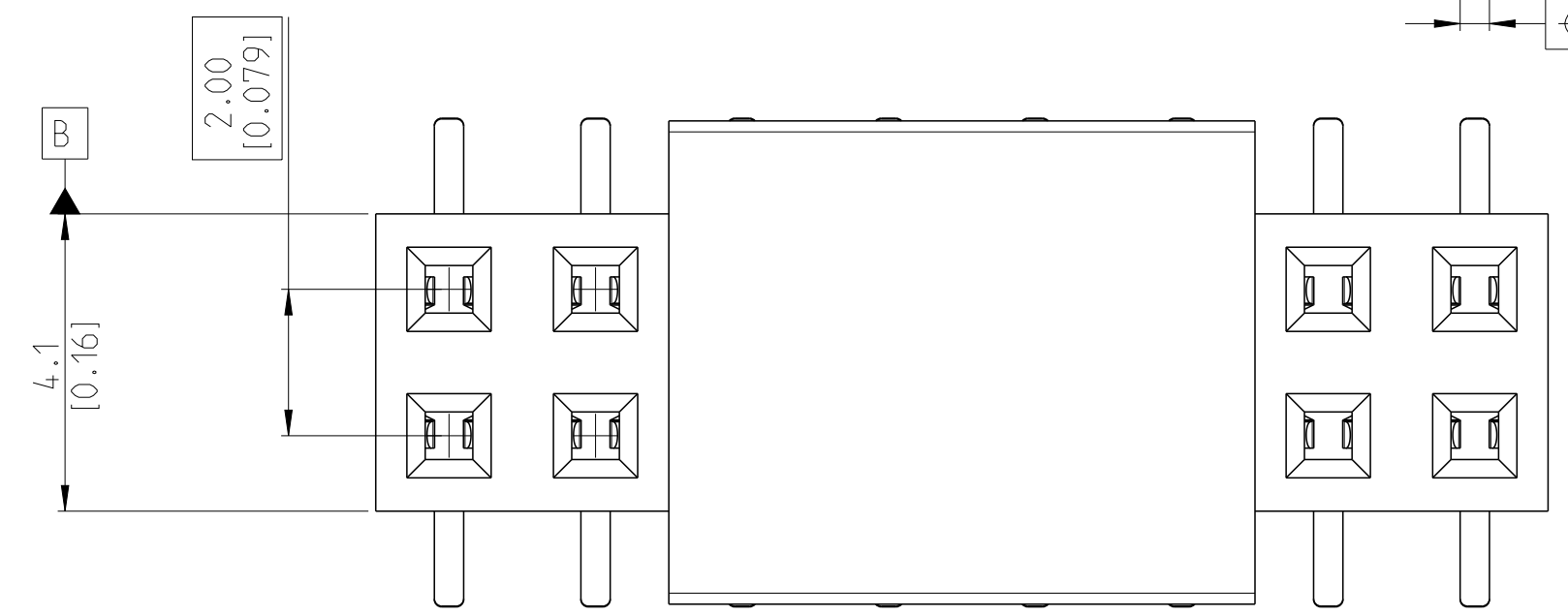
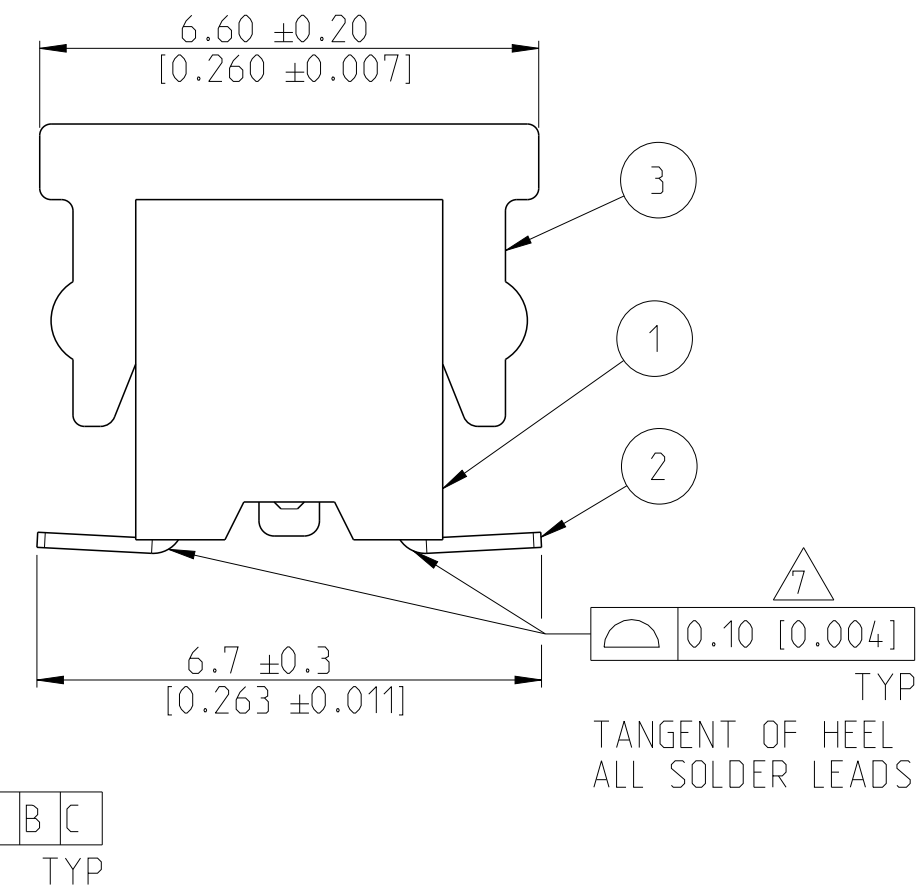
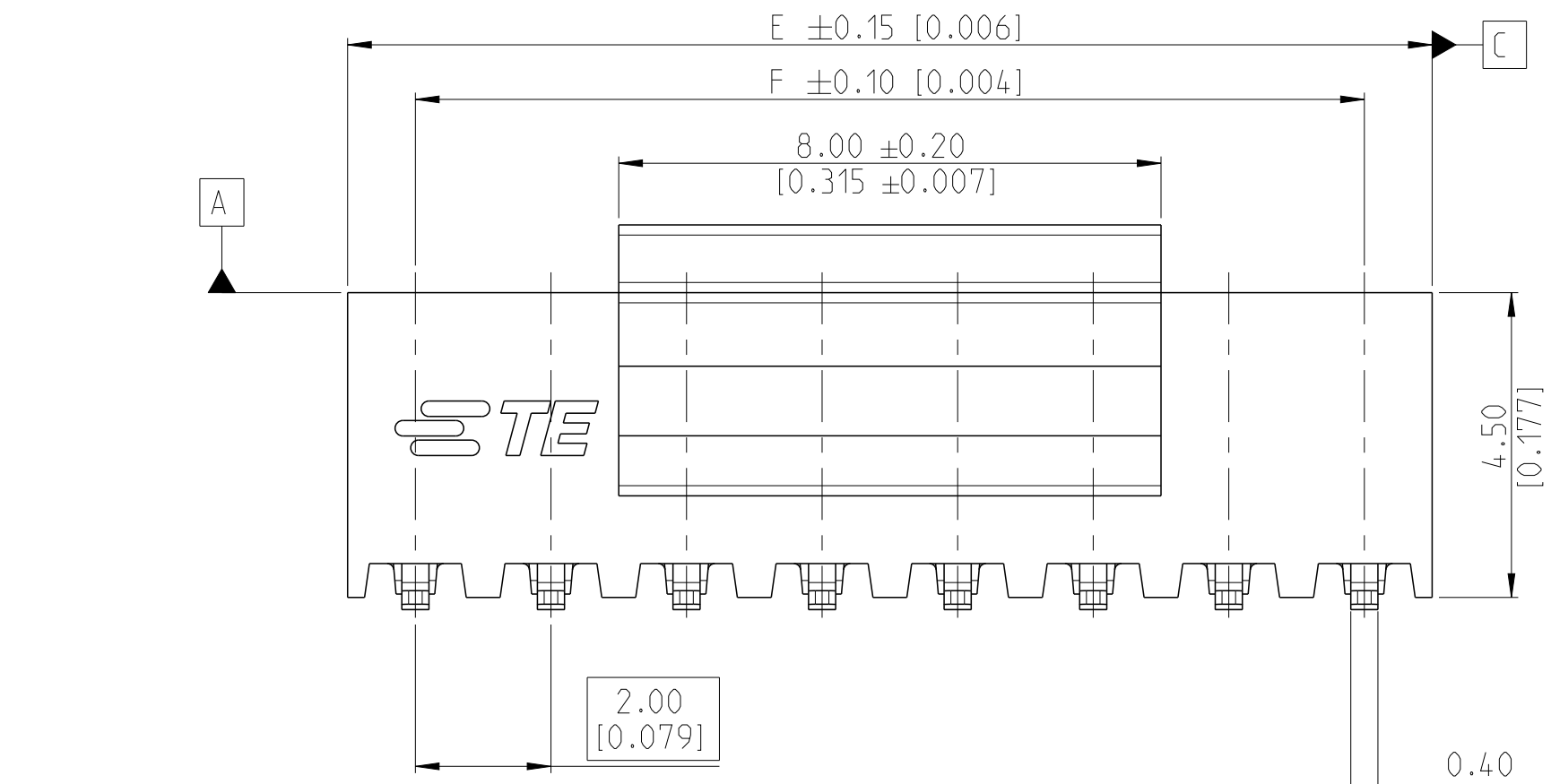


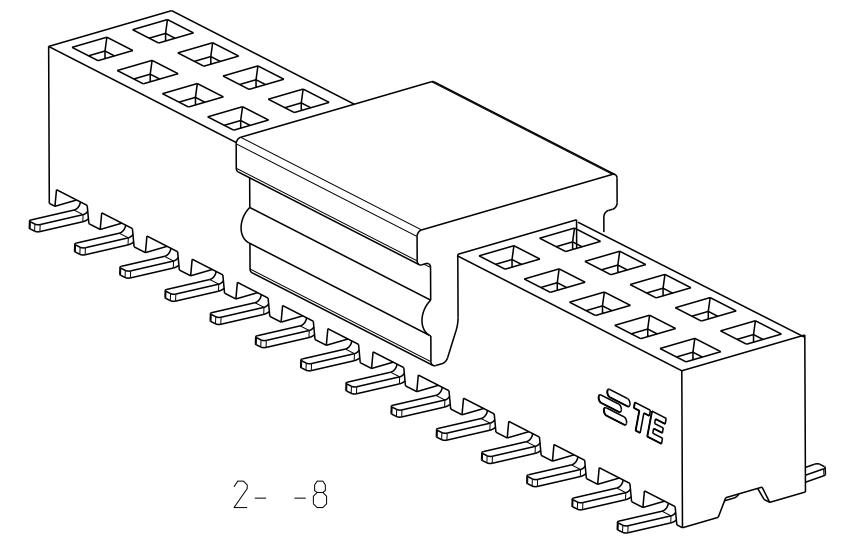
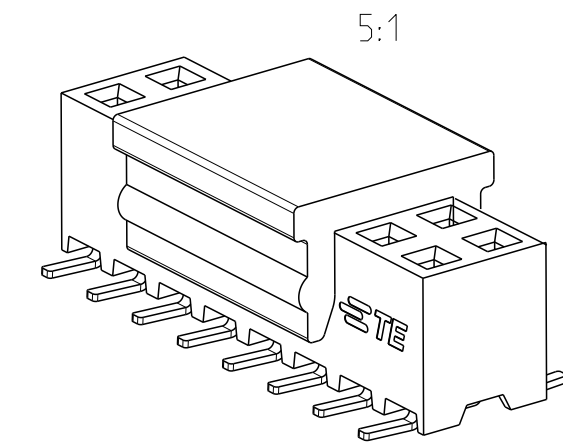
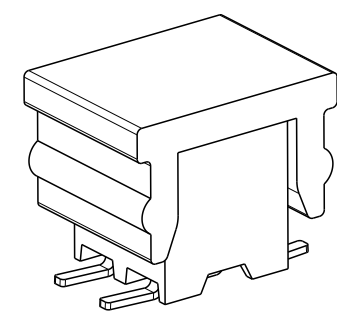
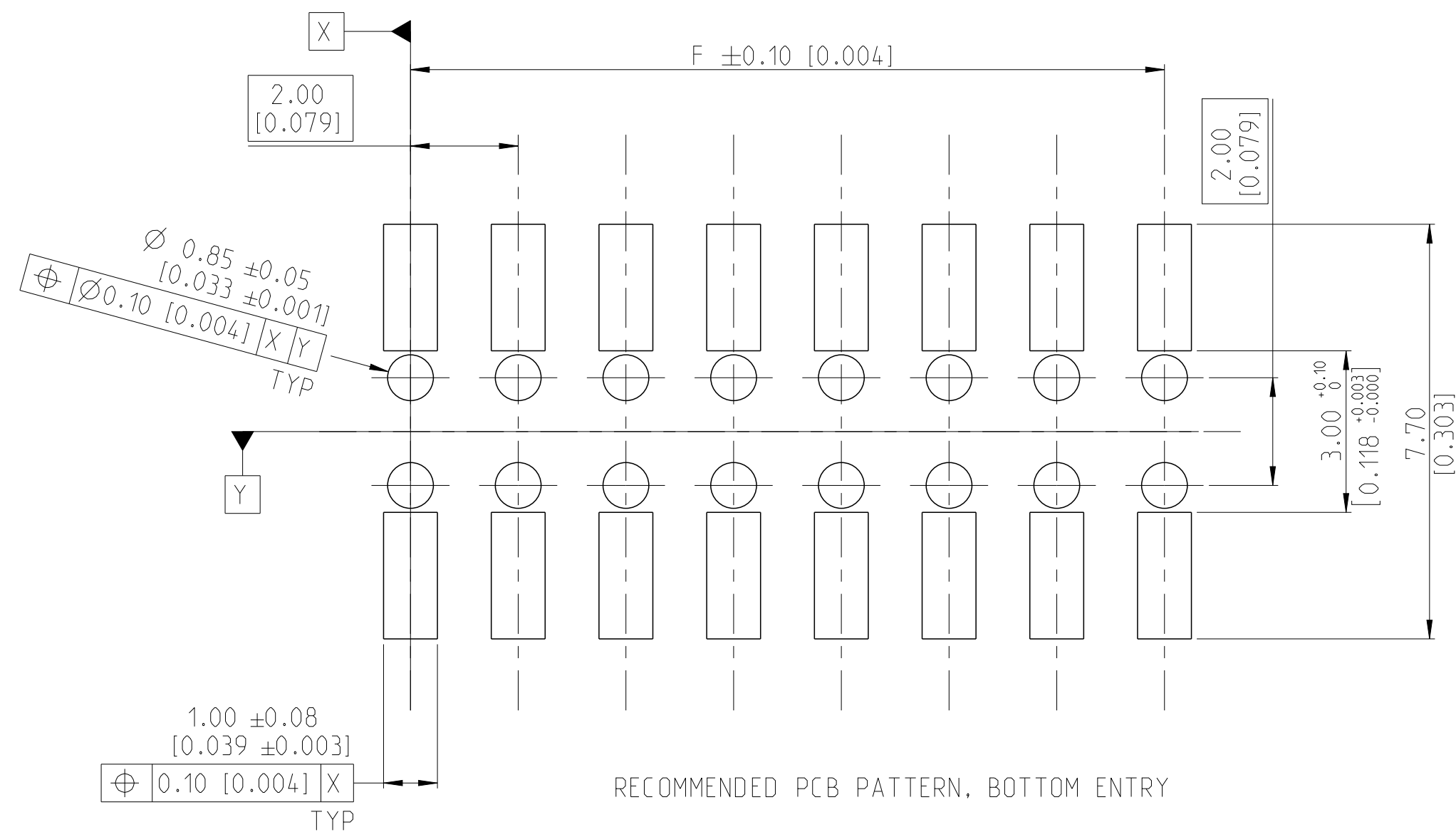
THIS DRAWING IS UNPUBLISHED. RELEASED FOR PUBLICATION 20
 © COPYRIGHT 20 BY - ALL RIGHTS RESERVED.

| REVISIONS | | | | | |
|-----------|-----|--|-----------|-----|------|
| P | LTR | DESCRIPTION | DATE | DWN | APVD |
| A | | X-2307819-X RELEASED FOR PRODUCTION | 10JUL2019 | AY | PS |
| A1 | | RELEASE GOLD PLATED VERSIONS TO PRODUCTION | 04SEP2019 | AY | PS |
| A2 | | RELEASE TIN PLATED VERSIONS TO PRODUCTION | 14APR2020 | AY | PS |



| | |
|-------------|------|
| P&P CAP | 3 |
| CONTACT | 2 |
| HOUSING | 1 |
| DESCRIPTION | ITEM |

- NOTES:
- 1 MATERIAL:
HOUSING & CAP: LCP, UL94 V0, BLACK
CONTACT: PHOSPHOR BRONZE, 0.20mm THICK.
 - 2 ALL OVER 3-5 μm TIN OVER MIN 1.27 μm NICKEL UNDERPLATE
 - 3 CONTACT AREA: MIN 0.1 μm GOLD
SOLDER TAIL: 3-5 μm TIN
UNDERPLATING: MIN 1.27 μm NICKEL ALL OVER
 - 4 CONTACT AREA: MIN 0.38 μm GOLD
SOLDER TAIL: 3-5 μm TIN
UNDERPLATING: MIN 1.27 μm NICKEL ALL OVER
 - 5 CONTACT AREA: MIN 0.76 μm GOLD
SOLDER TAIL: 3-5 μm TIN
UNDERPLATING: MIN 1.27 μm NICKEL ALL OVER
 - 6 N = NO. OF POSITIONS PER CONNECTOR.
 - 7
- | "N" | FG P/N | CO-PLANARITY |
|----------|------------------|--------------|
| 4 TO 20 | -4 TO 2- -0 | 0.08 |
| 22 TO 40 | 2 - -2 TO 4 - -0 | 0.10 |
| 42 TO 50 | 4- -2 TO 5- -0 | 0.15 |



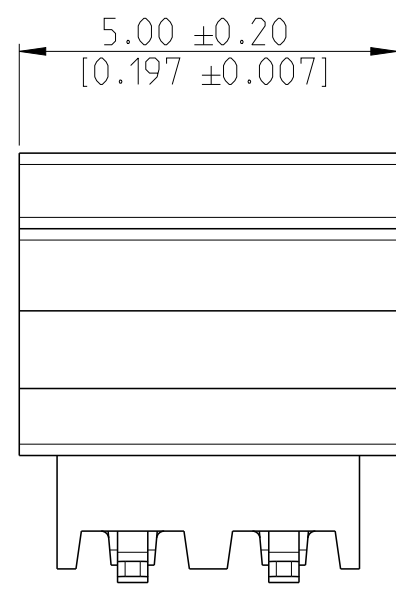
THIS DRAWING IS A CONTROLLED DOCUMENT.

| | | | | |
|--------------------------|---|--|--|--------------------|
| DIMENSIONS: mm [inch] | TOLERANCES UNLESS OTHERWISE SPECIFIED: 0 PLC ± 1 PLC ±0.2 2 PLC ±0.1 [0.008] 3 PLC ± [0.004] 4 PLC ± ANGLES ±2° | DWN 23NOV2017 SOURAV DAS CHK 02NOV2018 SHARATH S APVD 02NOV2018 PRASHANTH S | TE Connectivity | |
| MATERIAL SEE NOTES | FINISH SEE NOTES | PRODUCT SPEC 108-64040 | NAME AMPMODU 2mm BiB RECEPTACLE, DUAL ROW, VERTICAL, SMD | |
| CUSTOMER DRAWING | | APPLICATION SPEC 114-32186 | SIZE A2 | CAGE CODE 00779 |
| | | WEIGHT - | DRAWING NO C-2307816 | RESTRICTED TO - |
| | | SCALE 10:1 | SHEET 1 OF 2 | REV A2 |

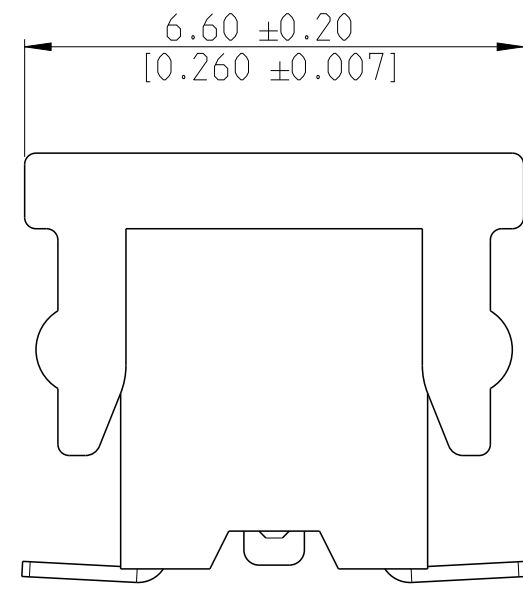
THIS DRAWING IS UNPUBLISHED. RELEASED FOR PUBLICATION 20
 © COPYRIGHT 20 BY - ALL RIGHTS RESERVED.

| REVISIONS | | | | | |
|-----------|-----|-------------|------|-----|------|
| P | LTR | DESCRIPTION | DATE | DWN | APVD |
| - | - | SEE SHEET 1 | - | - | - |
| | | | | | |
| | | | | | |
| | | | | | |

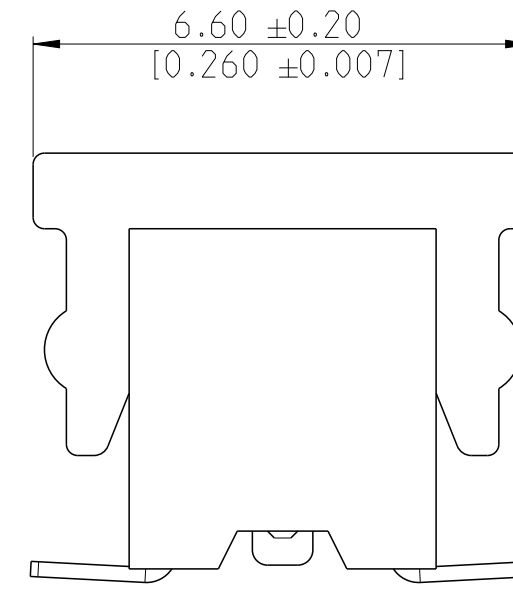
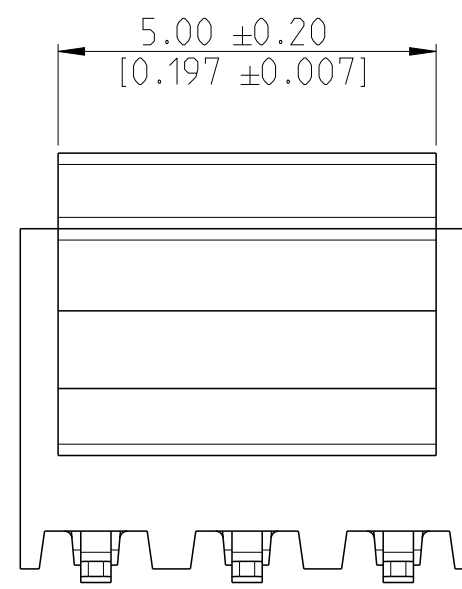
| MATING SIDE PLATING (FINISH) | BTB RECEPTACLE BASE NUMBERS | |
|------------------------------|-----------------------------|------------------|
| | TAPE & REEL PKG W / CAP | TUBE PKG W / CAP |
| TIN 2 | 2307816 | 2314843 |
| GOLD FLASH 0.1 μm 3 | 2307817 | 2314844 |
| GOLD 0.38 μm 4 | 2307818 | 2314845 |
| GOLD 0.76 μm 5 | 2307819 | 2314846 |




-4



-6



| | | | |
|---------|---------|----|-------|
| 48 | 50 | 50 | 5- -0 |
| 46 | 48 | 48 | 4- -8 |
| 44 | 46 | 46 | 4- -6 |
| 42 | 44 | 44 | 4- -4 |
| 40 | 42 | 42 | 4- -2 |
| 38 | 40 | 40 | 4- -0 |
| 36 | 38 | 38 | 3- -8 |
| 34 | 36 | 36 | 3- -6 |
| 32 | 34 | 34 | 3- -4 |
| 30 | 32 | 32 | 3- -2 |
| 28 | 30 | 30 | 3- -0 |
| 26 | 28 | 28 | 2- -8 |
| 24 | 26 | 26 | 2- -6 |
| 22 | 24 | 24 | 2- -4 |
| 20 | 22 | 22 | 2- -2 |
| 18 | 20 | 20 | 2- -0 |
| 16 | 18 | 18 | 1- -8 |
| 14 | 16 | 16 | 1- -6 |
| 12 | 14 | 14 | 1- -4 |
| 10 | 12 | 12 | 1- -2 |
| 8 | 10 | 10 | 1- -0 |
| 6 | 8 | 8 | -8 |
| 4 | 6 | 6 | -6 |
| 2 | 4 | 4 | -4 |
| DIM "F" | DIM "E" | N | FG PN |

| | | | | |
|--|--|-------------------------------|---|--|
| THIS DRAWING IS A CONTROLLED DOCUMENT. | | DWN 23NOV2017 SOURAV DAS |  TE Connectivity | |
| DIMENSIONS: mm [inch] | | CHK 02NOV2018 SHARATH S | | |
| TOLERANCES UNLESS OTHERWISE SPECIFIED: | | APVD 02NOV2018 PRASHANTH S | NAME AMPMODU 2mm BtB RECEPTACLE, DUAL ROW, VERTICAL, SMD | |
| 0 PLC ± | | PRODUCT SPEC | SIZE | |
| 1 PLC ±0.2 | | 108-64040 | CAGE CODE | |
| 2 PLC ±0.1 [0.008] | | APPLICATION SPEC | DRAWING NO | |
| 3 PLC ± [0.004] | | 114-32186 | RESTRICTED TO | |
| 4 PLC ± | | WEIGHT | A2 00779 | |
| ANGLES ±2° | | CUSTOMER DRAWING | SCALE 10:1 SHEET 2 OF 2 REV A2 | |
| FINISH | | | | |
| MATERIAL SEE NOTES | | | | |
| SEE NOTES | | | | |

X-ON Electronics

Largest Supplier of Electrical and Electronic Components

Click to view similar products for [Board to Board & Mezzanine Connectors](#) category:

Click to view products by [TE Connectivity](#) manufacturer:

Other Similar products are found below :

[589158040000018](#) [MDF7C-18P-2.54DSA\(55\)](#) [FCN-230C068-11](#) [FCN-268F012-G/BD](#) [FCN-268F036-G/BD](#) [FCN-268M012-G/0D](#) [FCN-268M024-G/1D](#) [FCN-723J004/1](#) [MIS-048-01-F-D-DP-K](#) [832-10-034-10-001000](#) [FX4C-80S-1.27DSA](#) [FCN-214Q030-G/0](#) [FCN-234P048-G/0](#) [FCN-235D050-G/C](#) [210-93-314-41-105000](#) [2-22603-0](#) [MDF7-40DP-2.54DSA\(55\)](#) [AXG720047](#) [5031084030](#) [MIT-114-03-F-D-K](#) [55323-1519](#) [DF33-2P-3.3DSA\(24\)](#) [YFT-20-05-H-03-SB-K](#) [503308-3040](#) [026-6203-PDB](#) [027-6203-PDB](#) [069159702701000](#) [10123981-102LF](#) [101A10019X](#) [55650-0588-C](#) [68684-306](#) [75140-7012](#) [589159005003045](#) [194261-1](#) [FCN-268F024-G0D](#) [10124054-515LF](#) [68685-603](#) [8-1616154-3](#) [MIS-019-01-F-D](#) [589159005002045](#) [541371078](#) [IL-WX-10PB-HF-B-E1000E](#) [FCN-268M024-G/3D](#) [20021832-06016C1LF](#) [KX15-20KLDL-E1000E](#) [MDF7-16DP-2.54DSA\(55\)](#) [AXE810124](#) [FCN-214J100-G/0](#) [FCN-230C068-E/S](#) [AXE812124](#)