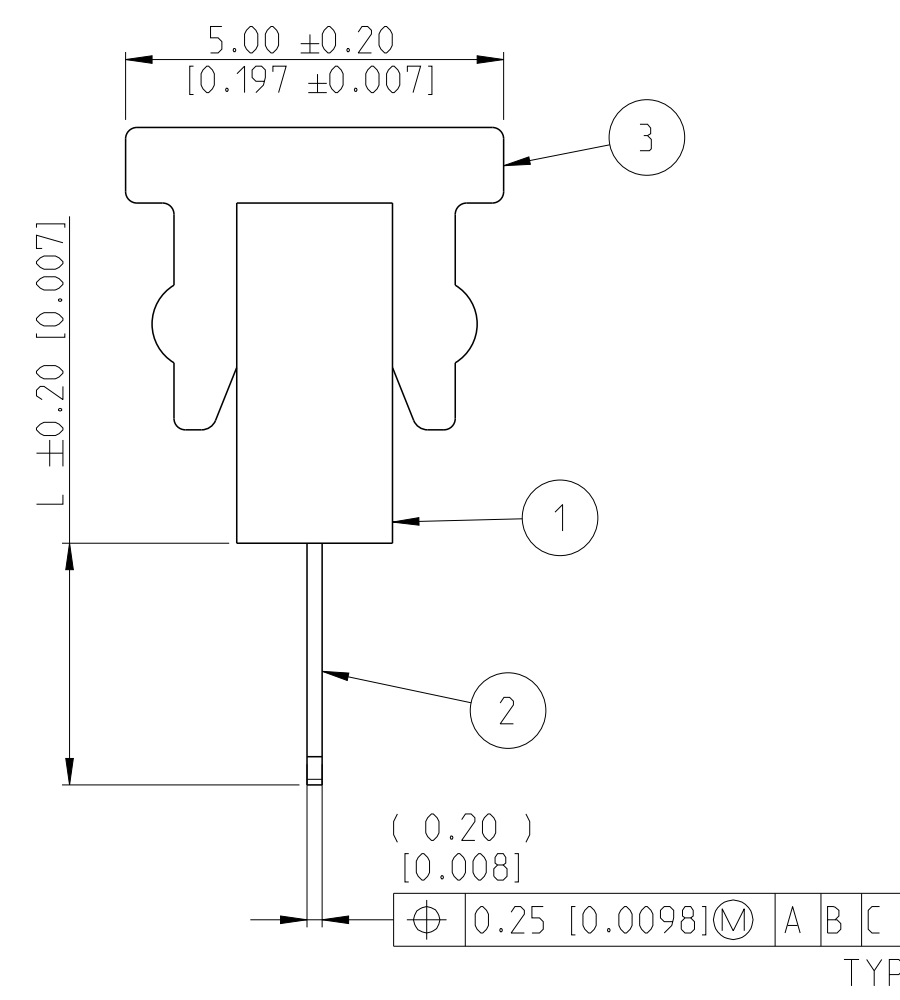
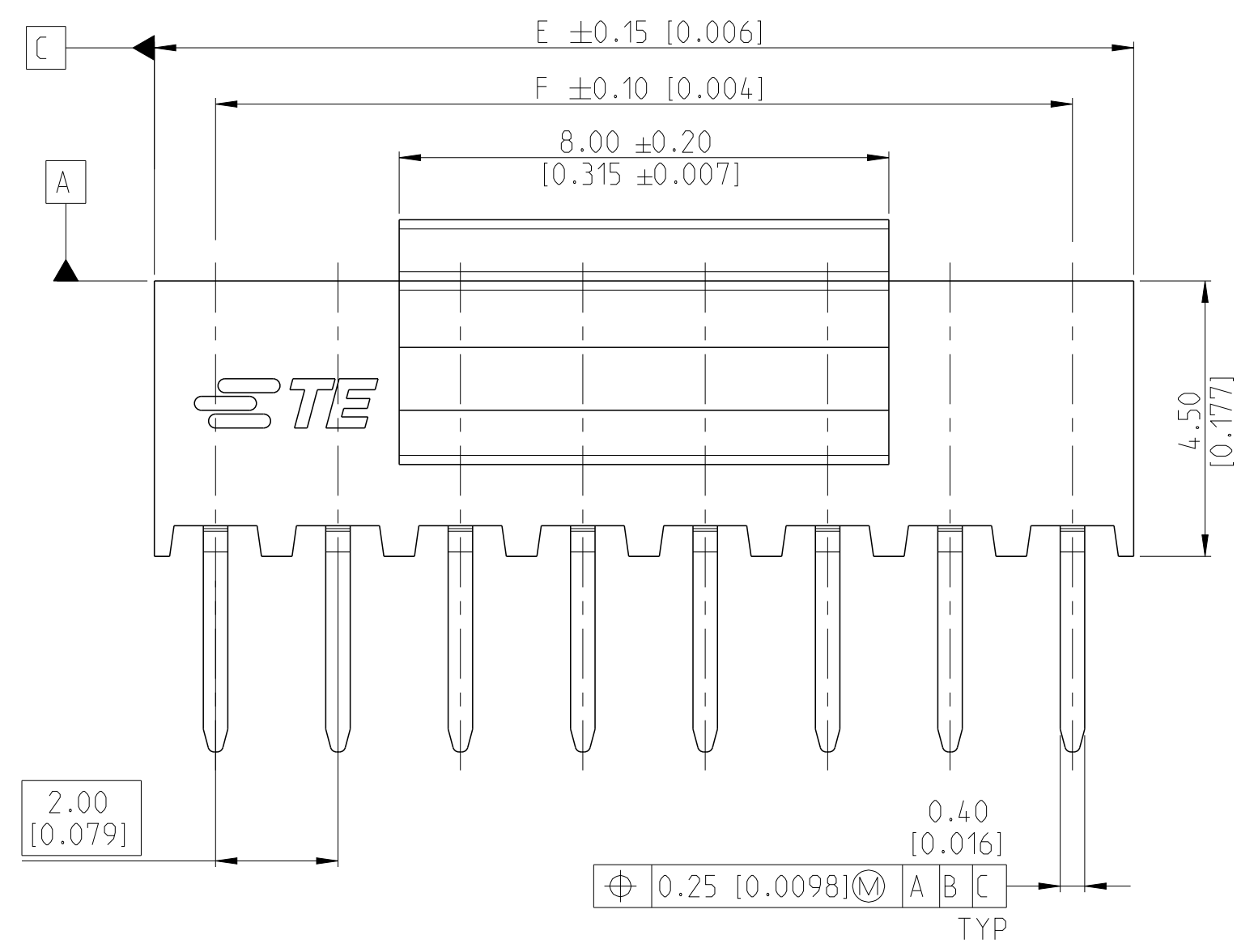


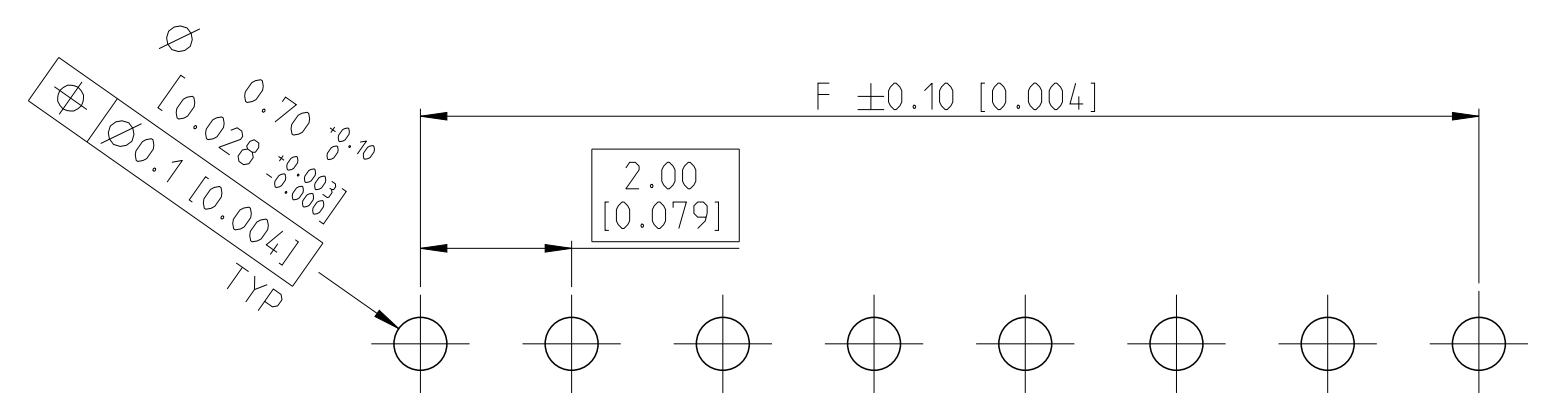
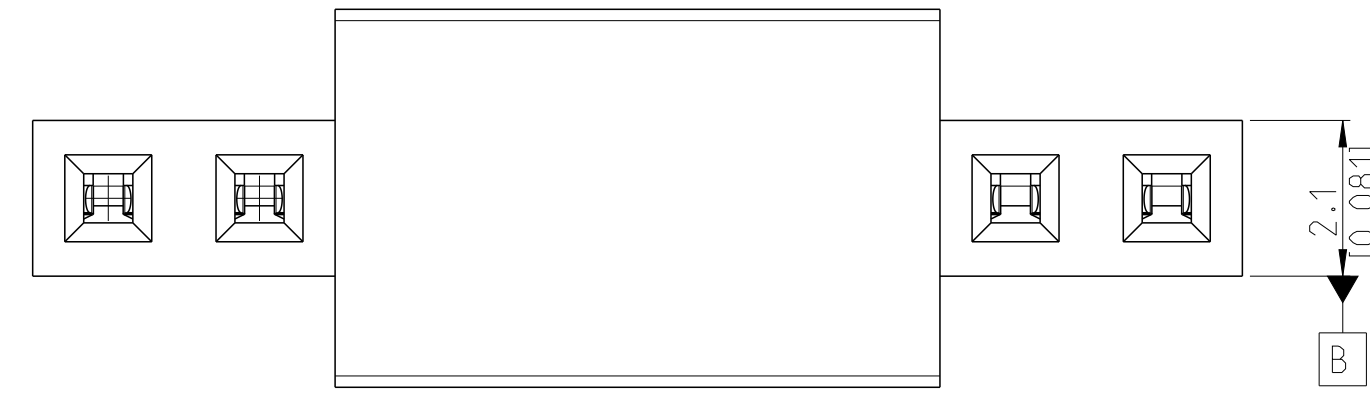
THIS DRAWING IS UNPUBLISHED. RELEASED FOR PUBLICATION 20  
 © COPYRIGHT 20 BY - ALL RIGHTS RESERVED.

REVISIONS				
P	LTR	DESCRIPTION	DATE	APVD
A		RELEASE GOLD PLATED VERSIONS TO PRODUCTION	03SEP2019	AY PS
A1		RELEASE TIN PLATED VERSIONS TO PRODUCTION	14APR2020	AY PS

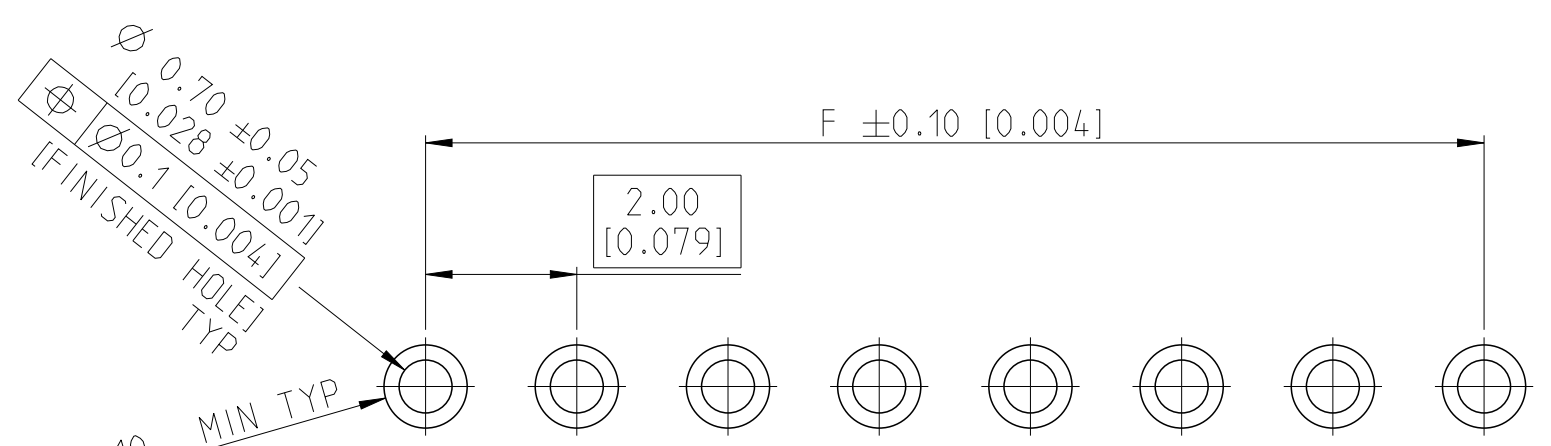


- NOTES:
- 1 MATERIAL:  
HOUSING & CAP: LCP, UL94 V0, BLACK  
CONTACT: PHOSPHOR BRONZE, 0.20mm THICK.
  - 2 ALL OVER 3-5 μm TIN OVER MIN 1.27 μm NICKEL UNDERPLATE
  - 3 CONTACT AREA: MIN 0.1 μm GOLD  
SOLDER TAIL: 3-5 μm TIN  
UNDERPLATING: MIN 1.27 μm NICKEL ALL OVER
  - 4 CONTACT AREA: MIN 0.38 μm GOLD  
SOLDER TAIL: 3-5 μm TIN  
UNDERPLATING: MIN 1.27 μm NICKEL ALL OVER
  - 5 CONTACT AREA: MIN 0.76 μm GOLD  
SOLDER TAIL: 3-5 μm TIN  
UNDERPLATING: MIN 1.27 μm NICKEL ALL OVER
  - 6. N = NO. OF POSITIONS PER CONNECTOR.

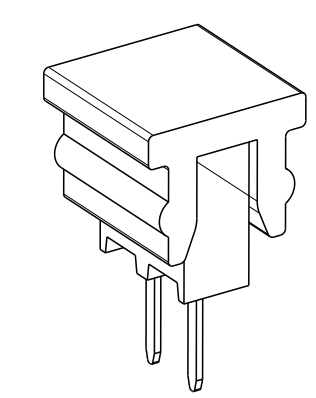
P&P CAP	3
CONTACT	2
HOUSING	1
DESCRIPTION	ITEM



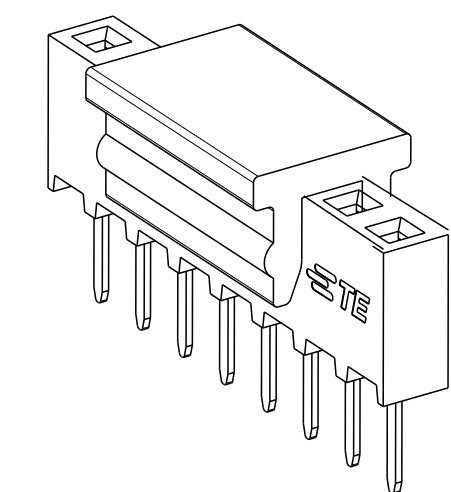
RECOMMENDED PCB HOLE PATTERN FOR THROUGH HOLE WAVE



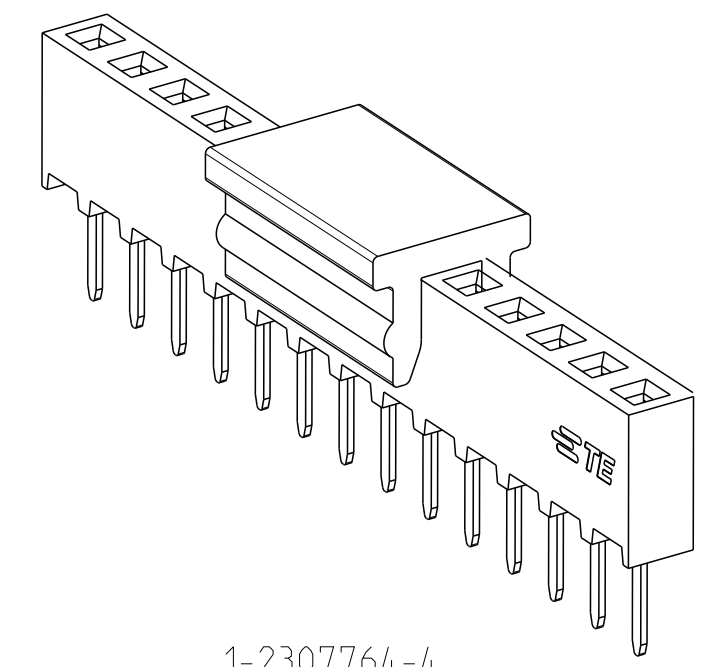
RECOMMENDED PCB HOLE PATTERN FOR THROUGH HOLE REFLOW / PIN-IN PASTE



2307764-2



2307764-8



1-2307764-4

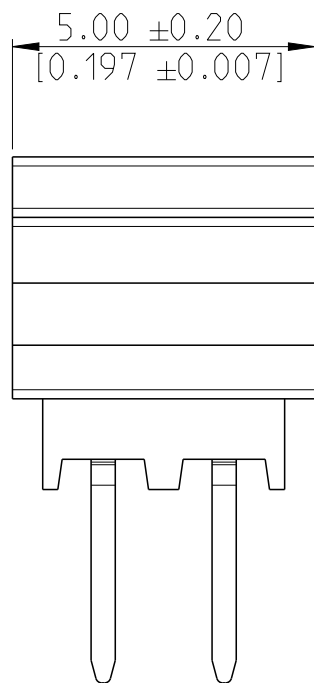
THIS DRAWING IS A CONTROLLED DOCUMENT.		DWN 29AUG2017 SOURAV DAS	TE Connectivity	
DIMENSIONS: mm [inch]		CHK 17JULY2018 SHARATH S		
TOLERANCES UNLESS OTHERWISE SPECIFIED:		APVD 17JULY2018 PRASHANTH S	NAME AMPMODU 2mm BtB RECEPTACLE SINGLE ROW VERTICAL.TOP ENTRY TH/THR	
0 PLC ±	1 PLC ±0.2	PRODUCT SPEC 108-64040	SIZE A2	CAGE CODE 00779
2 PLC ±0.1	3 PLC ± [0.004]	APPLICATION SPEC 114-32186	DRAWING NO C-2307764	RESTRICTED TO -
4 PLC ±	ANGLES ±2°	WEIGHT -	SCALE 5:1	SHEET 1 OF 2
MATERIAL SEE NOTES	FINISH SEE NOTES	CUSTOMER DRAWING	REV A1	

THIS DRAWING IS UNPUBLISHED. RELEASED FOR PUBLICATION 20  
 © COPYRIGHT 20 BY - ALL RIGHTS RESERVED.

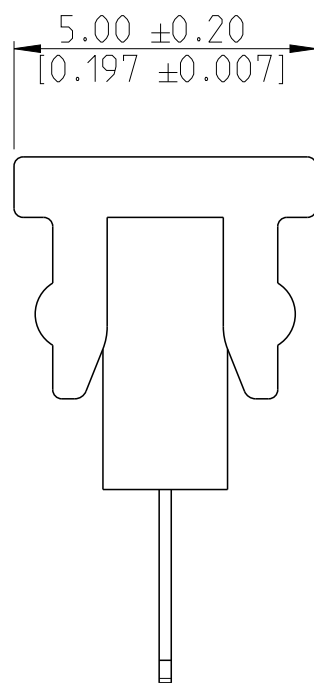
REVISIONS				
P	LTR	DESCRIPTION	DATE	APVD
		SEE SHEET 1		

MATING SIDE PLATING (FINISH)	"L" SOLDER TAIL LENGTH	BTB RECEPTACLE BASE NUMBERS		
		TAPE & REEL PKG W/ CAP	TUBE PKG W/ CAP	TUBE PKG W/O CAP
TIN △ <sub>2</sub>	2.0[0.079]	2307764	2314867	A/R
	2.7[0.106]	2307765	2314879	2314875
	3.2[0.126]	A/R	A/R	2307766
GOLD FLASH 0.1 μm △ <sub>3</sub>	2.0[0.079]	2307767	2314868	A/R
	2.7[0.106]	2307768	2314880	2314876
	3.2[0.126]	A/R	A/R	2307769
GOLD 0.38 μm △ <sub>4</sub>	2.0[0.079]	2307770	2314869	A/R
	2.7[0.106]	2307771	2314881	2314877
	3.2[0.126]	A/R	A/R	2307772
GOLD 0.76 μm △ <sub>5</sub>	2.0[0.079]	2307773	2314870	A/R
	2.7[0.106]	2307774	2314882	2314878
	3.2[0.126]	A/R	A/R	2307775

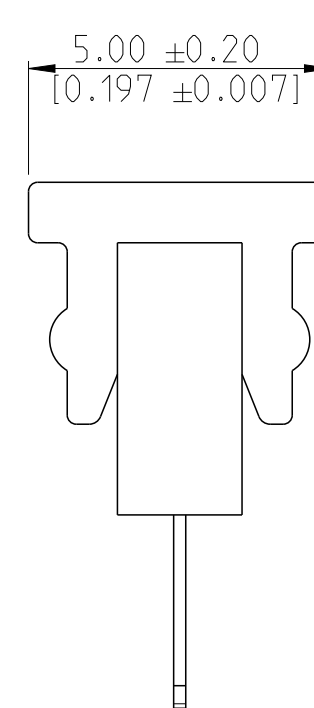
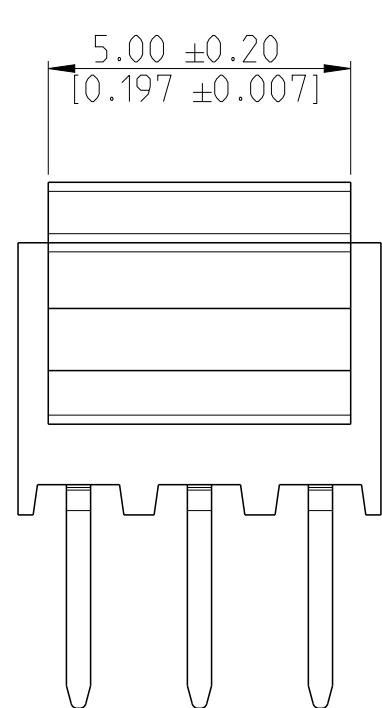
\* A/R- AVAILABLE ON REQUEST



-2 AS SHOWN



-3 AS SHOWN



48	50	25	2- -5
46	48	24	2- -4
44	46	23	2- -3
42	44	22	2- -2
40	42	21	2- -1
38	40	20	2- -0
36	38	19	1- -9
34	36	18	1- -8
32	34	17	1- -7
30	32	16	1- -6
28	30	15	1- -5
26	28	14	1- -4
24	26	13	1- -3
22	24	12	1- -2
20	22	11	1- -1
18	20	10	1- -0
16	18	9	-9
14	16	8	-8
12	14	7	-7
10	12	6	-6
8	10	5	-5
6	8	4	-4
4	6	3	-3
2	4	2	-2
DIM "F"	DIM "E"	N	FG PN

THIS DRAWING IS A CONTROLLED DOCUMENT.		DWN 29AUG2017 SOURAV DAS	TE Connectivity	
DIMENSIONS: mm [inch]		CHK 19JULY2018 SHARATH S		
TOLERANCES UNLESS OTHERWISE SPECIFIED:		APVD 19JULY2018 PRASHANTH S	NAME AMPMODU 2mm BTB RECEPTACLE SINGLE ROW VERTICAL TOP ENTRY TH/THR	
0 PLC ±		PRODUCT SPEC 108-64040	SIZE CAGE CODE DRAWING NO RESTRICTED TO	
1 PLC ±0.2		APPLICATION SPEC 114-32186	A2 100779 C-2307764	
2 PLC ±0.1		WEIGHT -	SCALE 5:1 SHEET 2 OF 2 REV A1	
3 PLC ± [0.004]		CUSTOMER DRAWING		
4 PLC ±				
ANGLES ±2°				
FINISH				
MATERIAL SEE NOTES				
SEE NOTES				

## X-ON Electronics

Largest Supplier of Electrical and Electronic Components

*Click to view similar products for [Board to Board & Mezzanine Connectors](#) category:*

*Click to view products by [TE Connectivity](#) manufacturer:*

Other Similar products are found below :

[589158040000018](#) [MDF7C-18P-2.54DSA\(55\)](#) [FCN-230C068-11](#) [FCN-268F012-G/BD](#) [FCN-268F036-G/BD](#) [FCN-268M012-G/0D](#) [FCN-268M024-G/1D](#) [FCN-723J004/1](#) [MIS-048-01-F-D-DP-K](#) [832-10-034-10-001000](#) [FX4C-80S-1.27DSA](#) [FCN-214Q030-G/0](#) [FCN-234P048-G/0](#) [FCN-235D050-G/C](#) [210-93-314-41-105000](#) [2-22603-0](#) [MDF7-40DP-2.54DSA\(55\)](#) [AXG720047](#) [5031084030](#) [MIT-114-03-F-D-K](#) [55323-1519](#) [DF33-2P-3.3DSA\(24\)](#) [YFT-20-05-H-03-SB-K](#) [503308-3040](#) [026-6203-PDB](#) [027-6203-PDB](#) [069159702701000](#) [10123981-102LF](#) [101A10019X](#) [55650-0588-C](#) [68684-306](#) [75140-7012](#) [194261-1](#) [FCN-268F024-G0D](#) [10124054-515LF](#) [68685-603](#) [8-1616154-3](#) [MIS-019-01-F-D](#) [541371078](#) [IL-WX-10PB-HF-B-E1000E](#) [FCN-268M024-G/3D](#) [20021832-06016C1LF](#) [KX15-20KLDL-E1000E](#) [MDF7-16DP-2.54DSA\(55\)](#) [AXE810124](#) [FCN-214J100-G/0](#) [FCN-230C068-E/S](#) [AXE812124](#) [AXE816124](#) [AXE720127](#)