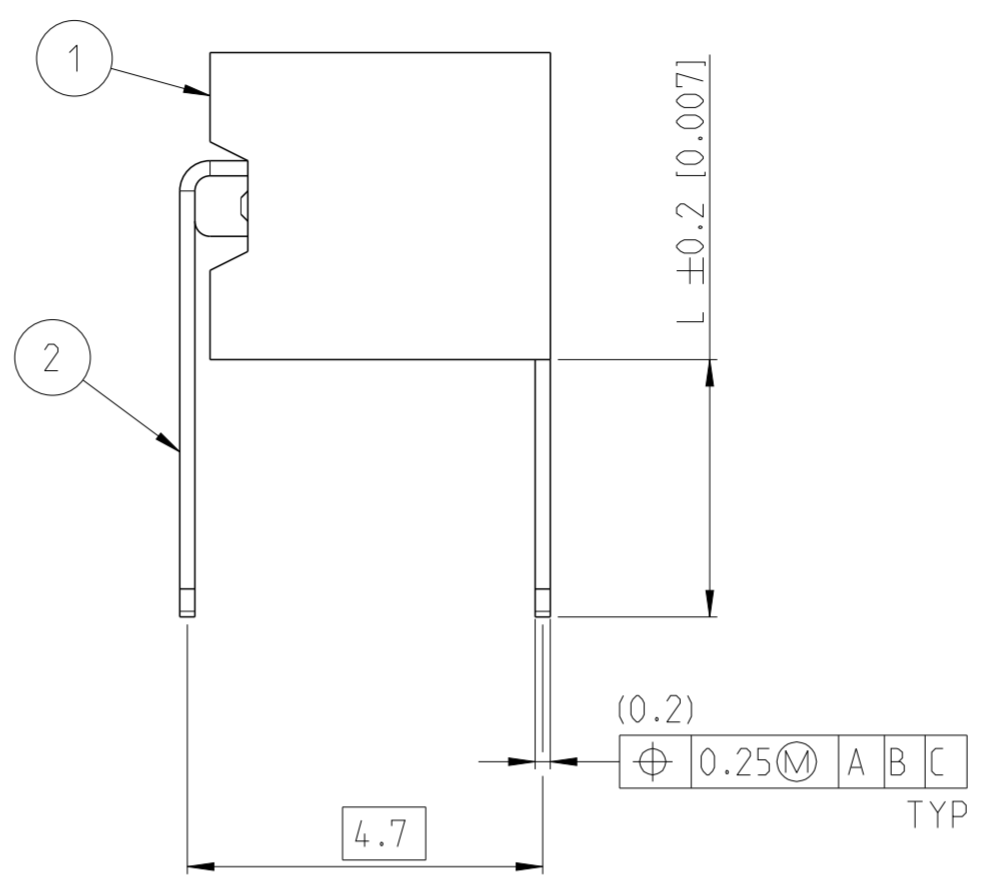
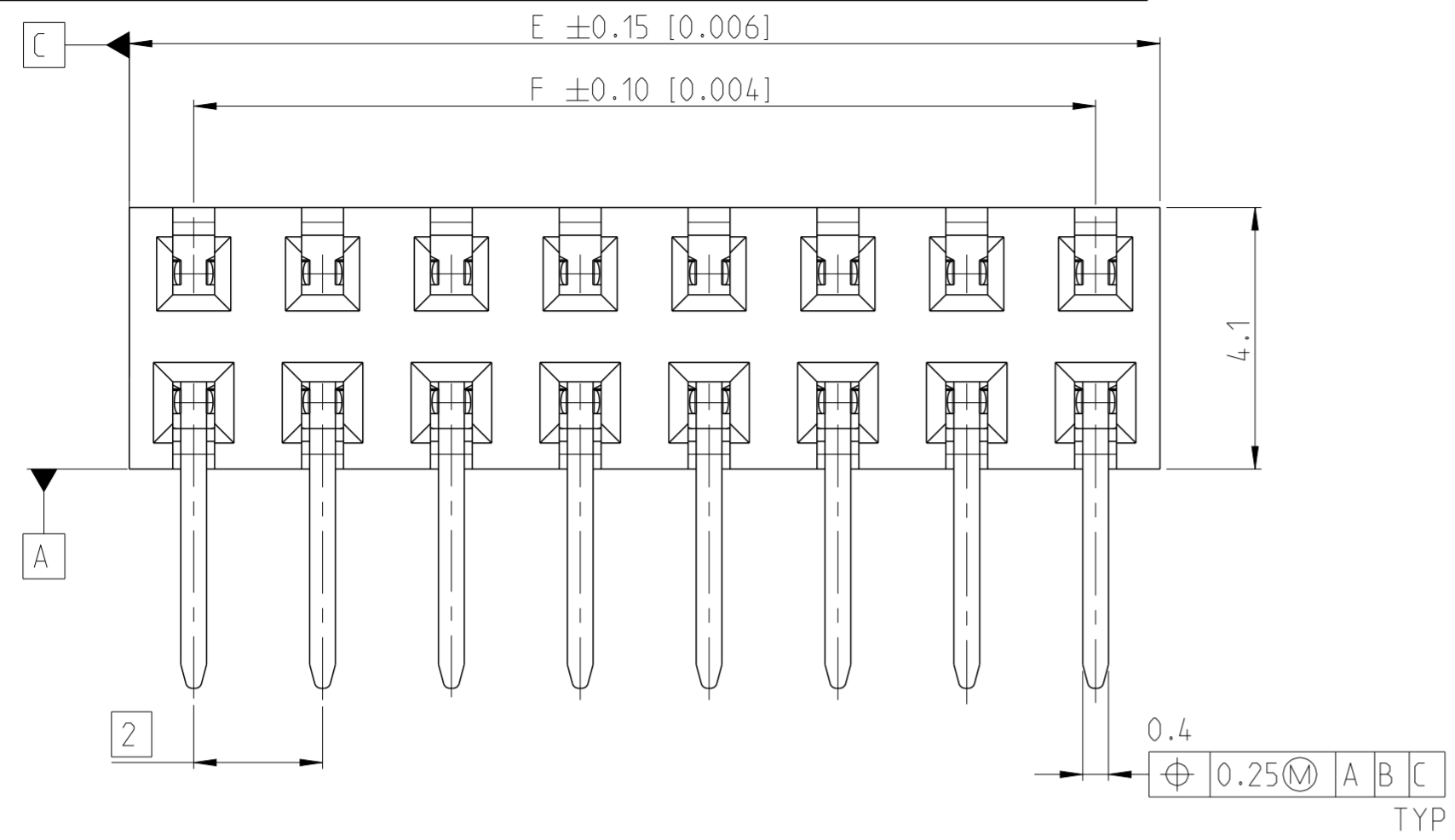
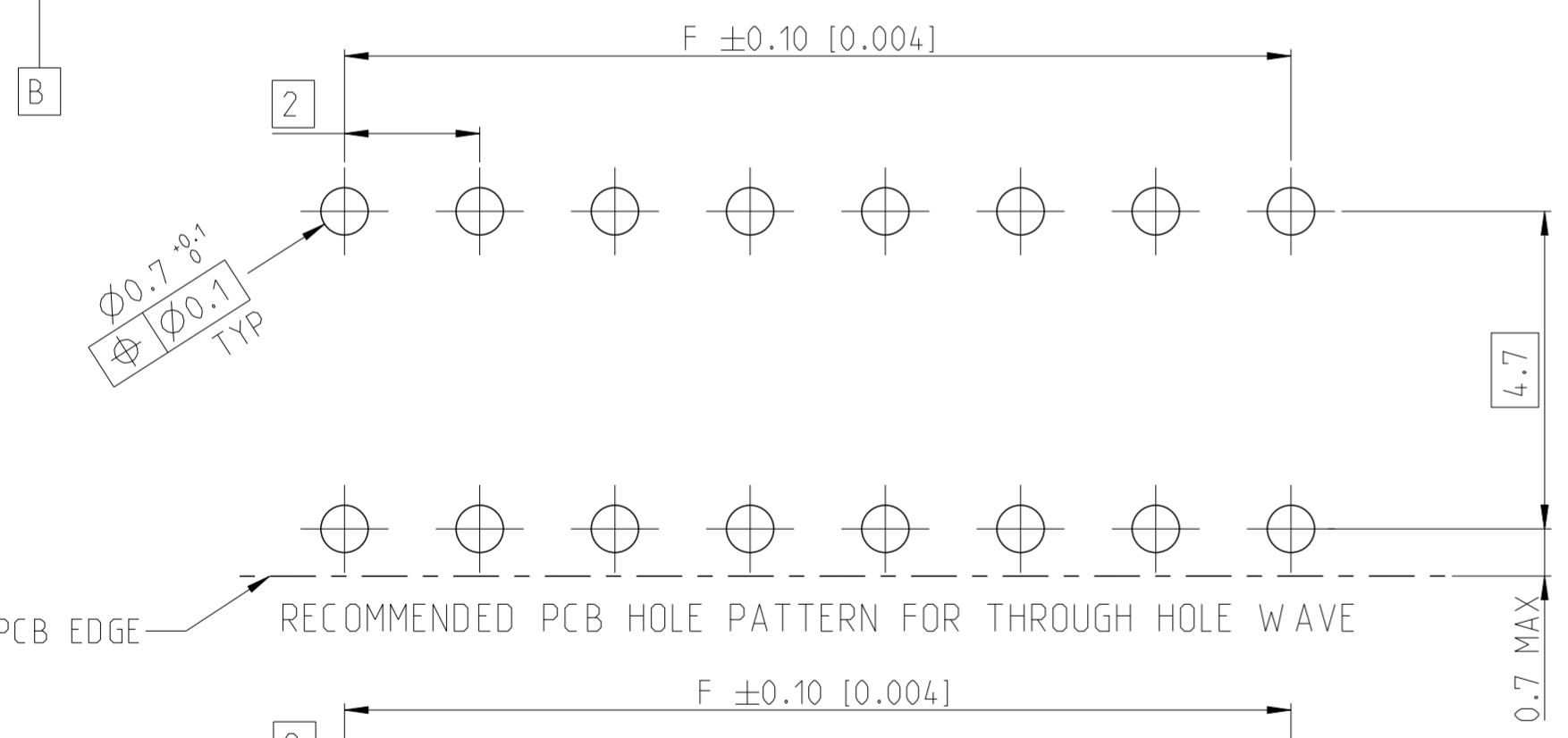
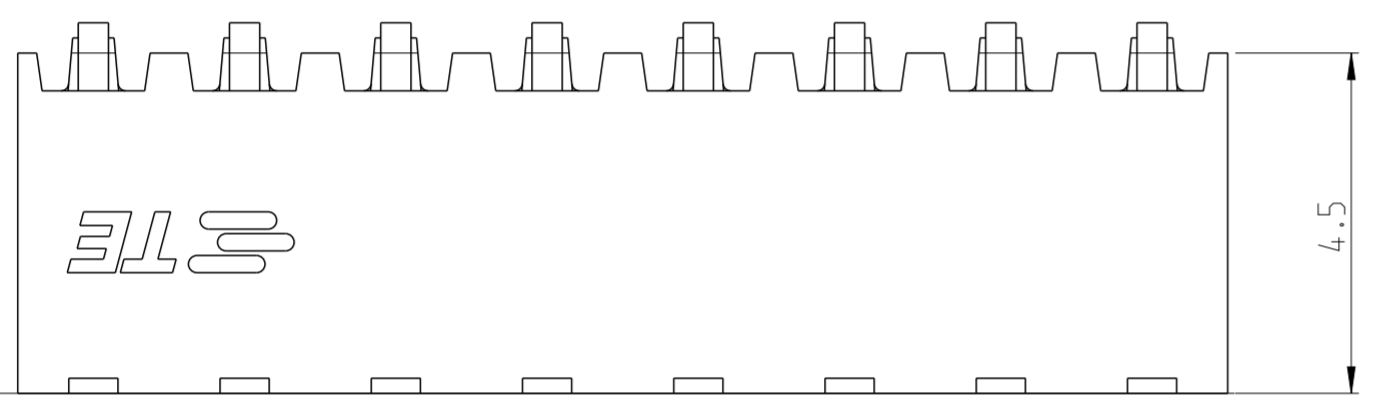


THIS DRAWING IS UNPUBLISHED. RELEASED FOR PUBLICATION 20
COPYRIGHT 20 BY - ALL RIGHTS RESERVED.

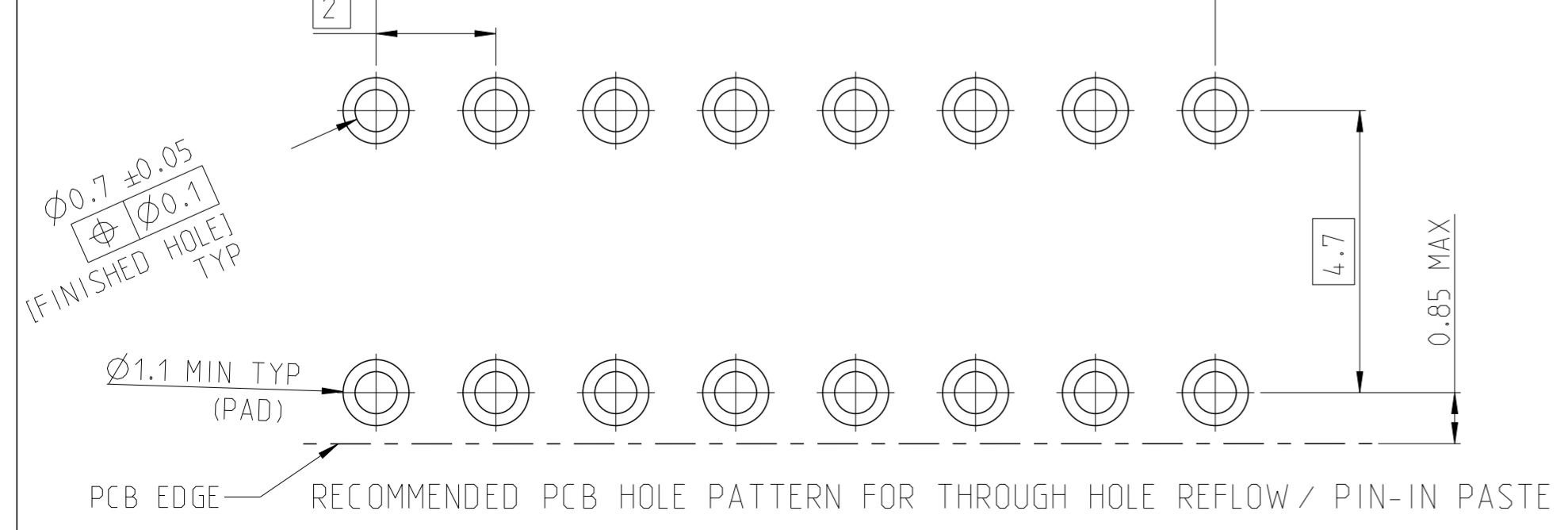
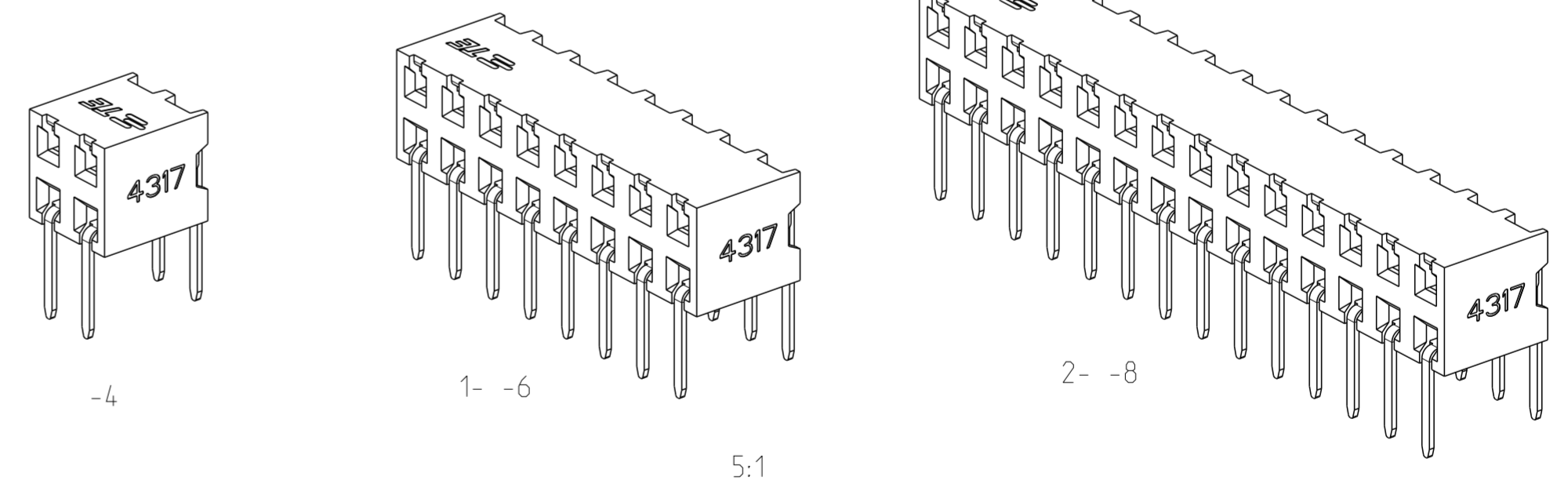
| REVISIONS | | | | | |
|-----------|-----|--|-----------|-----|------|
| P | LTR | DESCRIPTION | DATE | DWN | APVD |
| A | | RELEASE GOLD PLATED VERSIONS TO PRODUCTION | 04SEP2019 | AY | PS |
| A1 | | RELEASE TIN PLATED VERSIONS TO PRODUCTION | 14APR2020 | AY | PS |



- NOTES:
- 1 MATERIAL:
HOUSING: LCP, UL94 V0, BLACK
CONTACT: PHOSPHOR BRONZE, 0.20mm THICK.
 - 2 ALL OVER 3-5 μm TIN OVER MIN 1.27 μm NICKEL UNDERPLATE
 - 3 CONTACT AREA: MIN 0.1 μm GOLD
SOLDER TAIL: 3-5 μm TIN
UNDERPLATING: MIN 1.27 μm NICKEL ALL OVER
 - 4 CONTACT AREA: MIN 0.38 μm GOLD
SOLDER TAIL: 3-5 μm TIN
UNDERPLATING: MIN 1.27 μm NICKEL ALL OVER
 - 5 CONTACT AREA: MIN 0.76 μm GOLD
SOLDER TAIL: 3-5 μm TIN
UNDERPLATING: MIN 1.27 μm NICKEL ALL OVER
 - 6 N = NO. OF POSITIONS PER CONNECTOR.



| | |
|-------------|------|
| CONTACT | 2 |
| HOUSING | 1 |
| DESCRIPTION | ITEM |



THIS DRAWING IS A CONTROLLED DOCUMENT.

| | | | | |
|--------------------------|---|--|---|--------------------|
| DIMENSIONS: mm [inch] | TOLERANCES UNLESS OTHERWISE SPECIFIED: 0 PLC ± 1 PLC ±0.2 2 PLC ±0.1 [0.008] 3 PLC ± [0.004] 4 PLC ± ANGLES ±2° | DWN 28NOV2017 SOURAV DAS CHK 22NOV2018 SHARATH S APVD 22NOV2018 PRASHANTH S | TE Connectivity | |
| MATERIAL SEE NOTES | FINISH SEE NOTES | PRODUCT SPEC 108-64040 | NAME AMPMODU 2mm, BiB RECEPTACLE, DUAL ROW HORIZONTAL, TH/THR | |
| | | APPLICATION SPEC 114-32186 | SIZE A2 | CAGE CODE 00779 |
| | | WEIGHT - | DRAWING NO C-2307712 | RESTRICTED TO - |
| | | CUSTOMER DRAWING | SCALE 5:1 | SHEET 1 OF 2 |
| | | | | REV A1 |

THIS DRAWING IS UNPUBLISHED. RELEASED FOR PUBLICATION 20
 © COPYRIGHT 20 BY - ALL RIGHTS RESERVED.

| REVISIONS | | | | |
|-----------|-----|-------------|------|------|
| P | LTR | DESCRIPTION | DATE | APVD |
| - | | SEE SHEET 1 | - | - |
| | | | | |
| | | | | |

| MATING SIDE PLATING (FINISH) | "L" SOLDER TAIL LENGTH | BTB RECEPTACLE BASE NUMBERS | |
|------------------------------|------------------------|-----------------------------|------------------|
| | | TAPE & REEL PKG W/O CAP | TUBE PKG W/O CAP |
| TIN 2 | 2.1[0.083] | 2307712 | 2314915 |
| | 2.8[0.110] | 2314923 | 2307713 |
| | 3.4[0.134] | A/R | 2307714 |
| GOLD FLASH 0.1µm 3 | 2.1[0.083] | 2307715 | 2314916 |
| | 2.8[0.110] | 2314924 | 2307716 |
| | 3.4[0.134] | A/R | 2307717 |
| GOLD 0.38µm 4 | 2.1[0.083] | 2307718 | 2314917 |
| | 2.8[0.110] | 2314925 | 2307719 |
| | 3.4[0.134] | A/R | 2307720 |
| GOLD 0.76µm 5 | 2.1[0.083] | 2307721 | 2314918 |
| | 2.8[0.110] | 2314926 | 2307722 |
| | 3.4[0.134] | A/R | 2307723 |

* A/R- AVAILABLE ON REQUEST

| | | | |
|---------|---------|----|-------|
| 48 | 50 | 50 | 5- -0 |
| 46 | 48 | 48 | 4- -8 |
| 44 | 46 | 46 | 4- -6 |
| 42 | 44 | 44 | 4- -4 |
| 40 | 42 | 42 | 4- -2 |
| 38 | 40 | 40 | 4- -0 |
| 36 | 38 | 38 | 3- -8 |
| 34 | 36 | 36 | 3- -6 |
| 32 | 34 | 34 | 3- -4 |
| 30 | 32 | 32 | 3- -2 |
| 28 | 30 | 30 | 3- -0 |
| 26 | 28 | 28 | 2- -8 |
| 24 | 26 | 26 | 2- -6 |
| 22 | 24 | 24 | 2- -4 |
| 20 | 22 | 22 | 2- -2 |
| 18 | 20 | 20 | 2- -0 |
| 16 | 18 | 18 | 1- -8 |
| 14 | 16 | 16 | 1- -6 |
| 12 | 14 | 14 | 1- -4 |
| 10 | 12 | 12 | 1- -2 |
| 8 | 10 | 10 | 1- -0 |
| 6 | 8 | 8 | -8 |
| 4 | 6 | 6 | -6 |
| 2 | 4 | 4 | -4 |
| DIM "F" | DIM "E" | N | FG PN |

| | | | | |
|--|--|-------------------------------|---|-----------------|
| THIS DRAWING IS A CONTROLLED DOCUMENT. | | DWN 28NOV2017 SOURAV DAS | STE TE Connectivity | |
| DIMENSIONS: mm [inch] | | CHK 22NOV2018 SHARATH S | | |
| TOLERANCES UNLESS OTHERWISE SPECIFIED: | | APVD 22NOV2018 PRASHANTH S | NAME AMPMODU 2mm, BtB RECEPTACLE, DUAL ROW HORIZONTAL, TH/THR | |
| 0 PLC ± | | PRODUCT SPEC 108-64040 | SIZE A2 | CAGE CODE 00779 |
| 1 PLC ±0.2 | | APPLICATION SPEC 114-32186 | DRAWING NO C-2307712 | RESTRICTED TO - |
| 2 PLC ±0.1 [0.008] | | WEIGHT - | SCALE 5:1 | SHEET 2 OF 2 |
| 3 PLC ± [0.004] | | CUSTOMER DRAWING | REV A1 | |
| 4 PLC ± | | | | |
| ANGLES ±2° | | | | |
| FINISH | | | | |
| MATERIAL SEE NOTES | | | | |
| SEE NOTES | | | | |

X-ON Electronics

Largest Supplier of Electrical and Electronic Components

Click to view similar products for [Board to Board & Mezzanine Connectors](#) category:

Click to view products by [TE Connectivity](#) manufacturer:

Other Similar products are found below :

[589158040000018](#) [MDF7C-18P-2.54DSA\(55\)](#) [FCN-230C068-11](#) [FCN-268F012-G/BD](#) [FCN-268F036-G/BD](#) [FCN-268M012-G/0D](#) [FCN-268M024-G/1D](#) [FCN-723J004/1](#) [MIS-048-01-F-D-DP-K](#) [832-10-034-10-001000](#) [FX4C-80S-1.27DSA](#) [FCN-214Q030-G/0](#) [FCN-234P048-G/0](#) [FCN-235D050-G/C](#) [210-93-314-41-105000](#) [2-22603-0](#) [MDF7-40DP-2.54DSA\(55\)](#) [AXG720047](#) [5031084030](#) [MIT-114-03-F-D-K](#) [55323-1519](#) [DF33-2P-3.3DSA\(24\)](#) [YFT-20-05-H-03-SB-K](#) [503308-3040](#) [026-6203-PDB](#) [027-6203-PDB](#) [069159702701000](#) [10123981-102LF](#) [101A10019X](#) [55650-0588-C](#) [68684-306](#) [75140-7012](#) [194261-1](#) [FCN-268F024-G0D](#) [10124054-515LF](#) [68685-603](#) [8-1616154-3](#) [MIS-019-01-F-D](#) [541371078](#) [IL-WX-10PB-HF-B-E1000E](#) [FCN-268M024-G/3D](#) [20021832-06016C1LF](#) [KX15-20KLDL-E1000E](#) [MDF7-16DP-2.54DSA\(55\)](#) [AXE810124](#) [FCN-214J100-G/0](#) [FCN-230C068-E/S](#) [AXE812124](#) [AXE816124](#) [AXE720127](#)