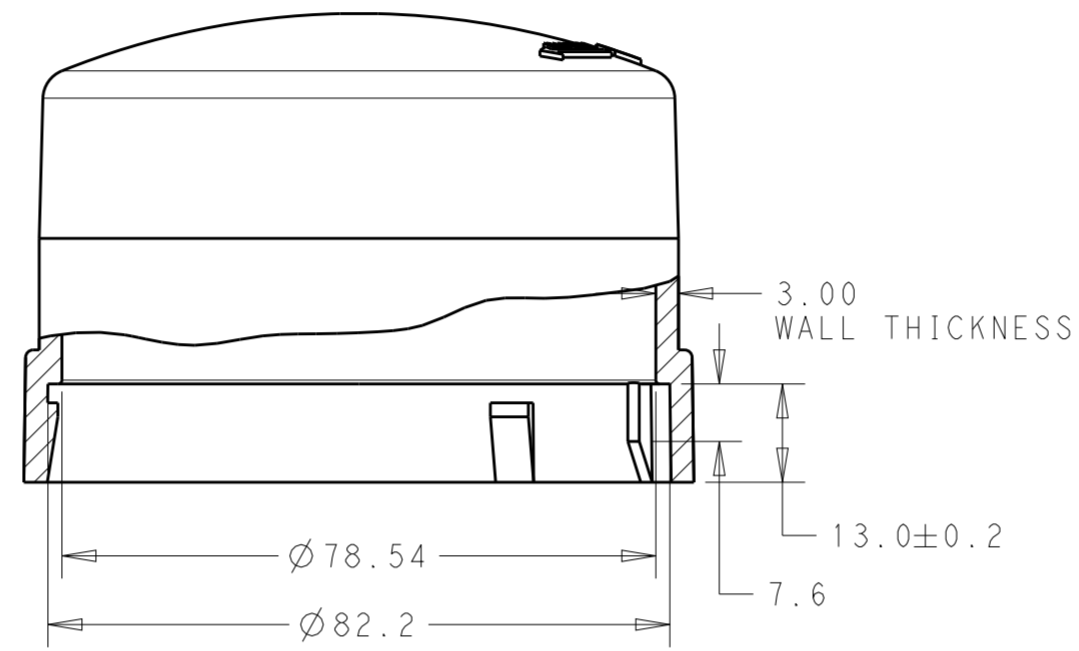
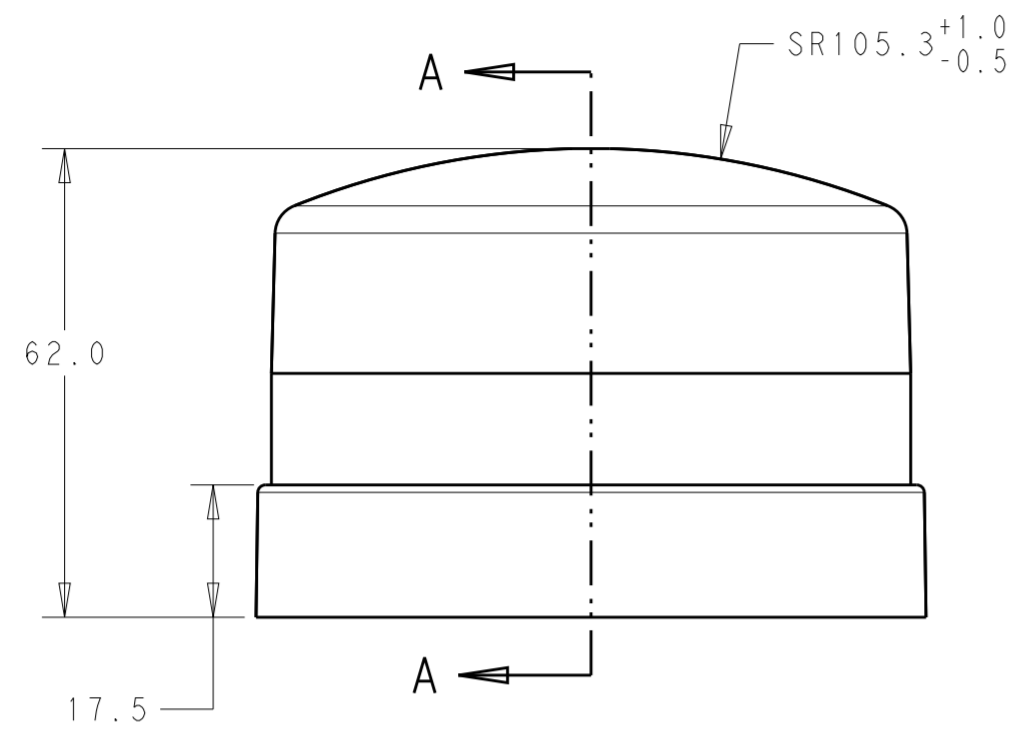


THIS DRAWING IS UNPUBLISHED. RELEASED FOR PUBLICATION 20  
 © COPYRIGHT 20 BY - ALL RIGHTS RESERVED.

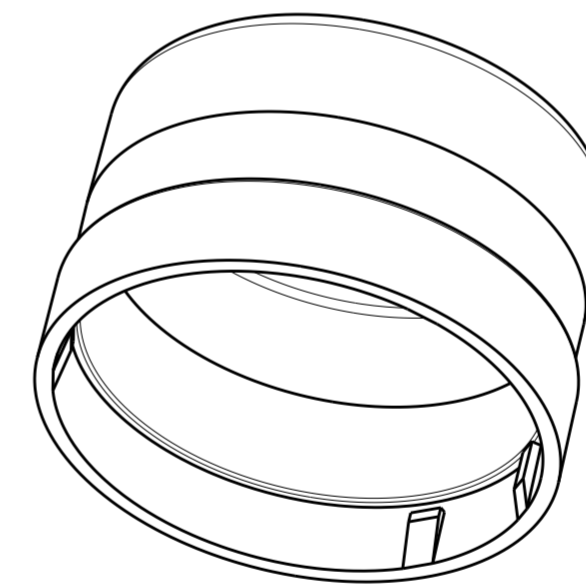
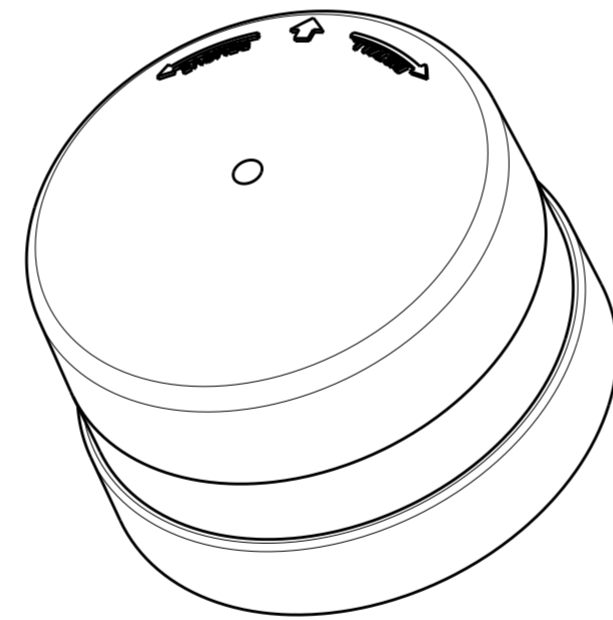
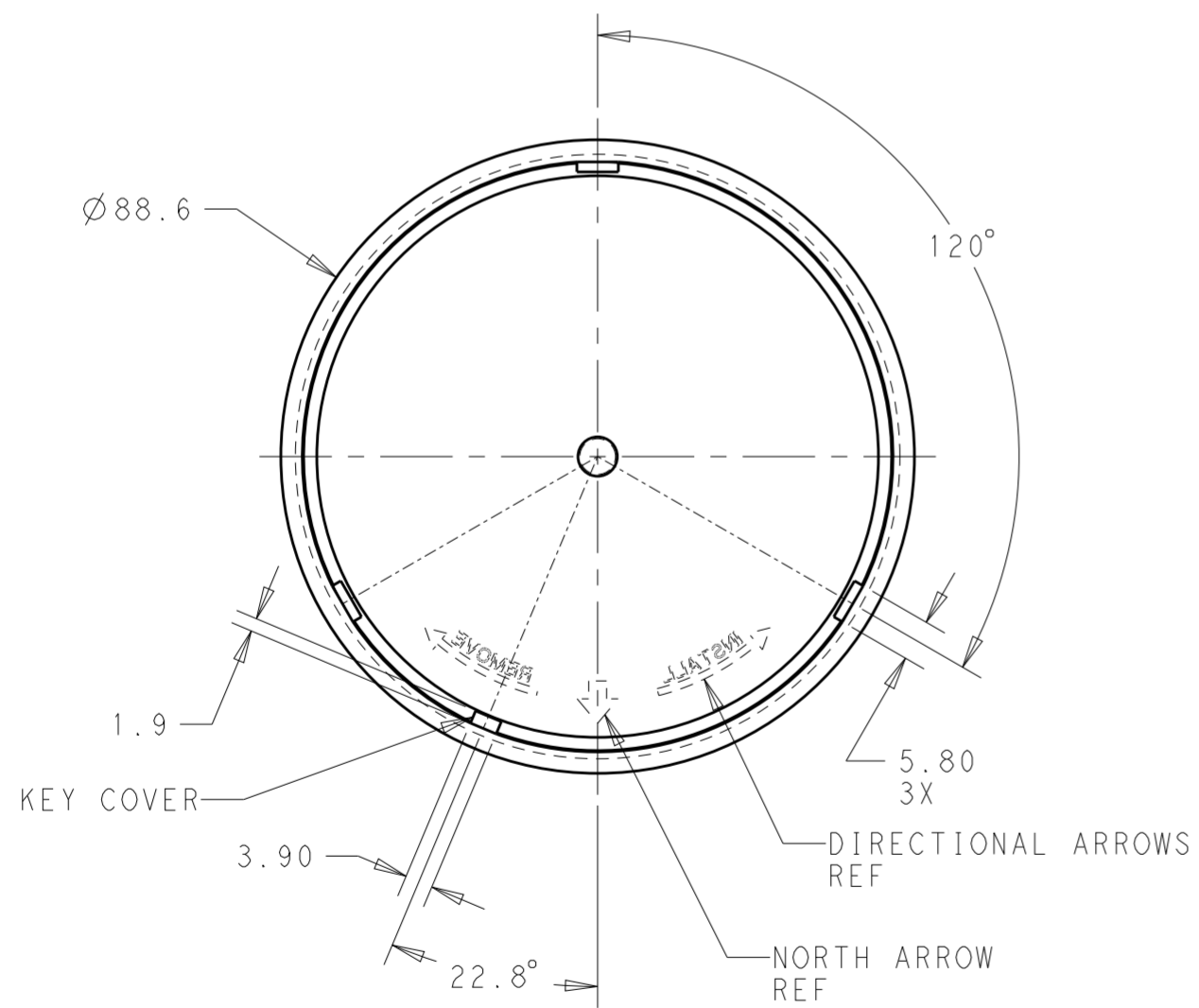
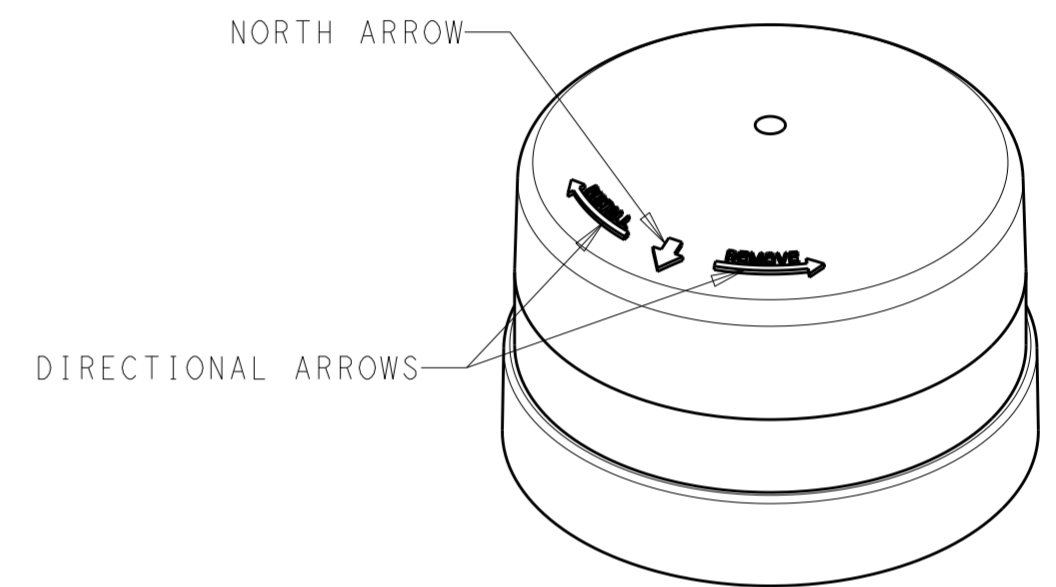
REVISIONS					
P	LTR	DESCRIPTION	DATE	DWN	APVD
A		RELEASED FOR PRODUCTION	17OCT2017	RK	DD
A1		REVISED PER ECR-19-008901	11JUN2019	SR	DD
B		REVISED PER ECR-19-010486	10JUL2019	SR	DD



SECTION A-A

NOTES:

- 1 MATERIALS:  
HOUSING: POLYCARBONATE, UV 5VA RATED  
COLOR: SEE TABLE
- 2 MATING BASE TE P/N: 2213871-2,1-2213871-2.
- 3. THIS PRODUCT HAS NOT COMPLETED VALIDATION TESTING.



APPROXIMATE LIGHT TRANSMISSION	COLOR	PART NO.
26%	TRANSLUCENT LIGHT GRAY	2315539-2
78%	TRANSPARENT CLEAR	1-2315539-1
24%	TRANSPARENT SMOKE GRAY	2315539-1

THIS DRAWING IS A CONTROLLED DOCUMENT.		DWN J. SHAFFER 13JAN2017	TE Connectivity	
		CHK E. HOWARD 13JAN2017		
DIMENSIONS: mm		TOLERANCES UNLESS OTHERWISE SPECIFIED: 0 PLC ± 1 PLC ±0.2 2 PLC ±0.13 3 PLC ± 4 PLC ± ANGLES ±3° FINISH -		NAME COVER, LIGHT CONTROLLER 81mm DIA, MEDIUM
MATERIAL -		PRODUCT SPEC 108-32125 APPLICATION SPEC 114-32159 WEIGHT -	SIZE A2	CAGE CODE -
		DRAWING NO. C-2315539		RESTRICTED TO -
		CUSTOMER DRAWING		SCALE 1:1 SHEET 1 OF 1 REV B

## X-ON Electronics

Largest Supplier of Electrical and Electronic Components

*Click to view similar products for [LED Lighting Fixture Accessories](#) category:*

*Click to view products by [TE Connectivity](#) manufacturer:*

Other Similar products are found below :

[XVBC081](#) [1-2315539-1](#) [2306129-1](#) [180997-0001](#) [1-2213996-1](#) [4821](#) [2702312](#) [4775](#) [5012](#) [5014](#) [1301130007](#) [1301120097](#) [1301120099](#)  
[1301120101](#) [1301120114](#) [1301120153](#) [1301120154](#) [1301120157](#) [1301120174](#) [1301120110](#) [1301120137](#) [1301120130](#) [1301860719](#)  
[1301120131](#) [1301120144](#) [1301120196](#) [1301850471](#) [2702313](#) [2702315](#) [2702316](#) [2702493](#) [2702494](#) [PLD E 400-ME SM](#) [XVBC030](#)  
[XVBC14](#) [XVBC21](#) [2213730-1](#) [VFTBCSN1002FT](#) [VFTBCSP0102FT](#) [VFTJCSN0402FT](#) [VFTPCSN1010FT](#) [VFTPCSP0110FT](#) [XVBC00](#)  
[XVBC020](#) [1-2311664-1](#) [2702492](#) [2213871-2](#) [2306132-1](#) [2213805-1](#) [1-2306133-1](#)