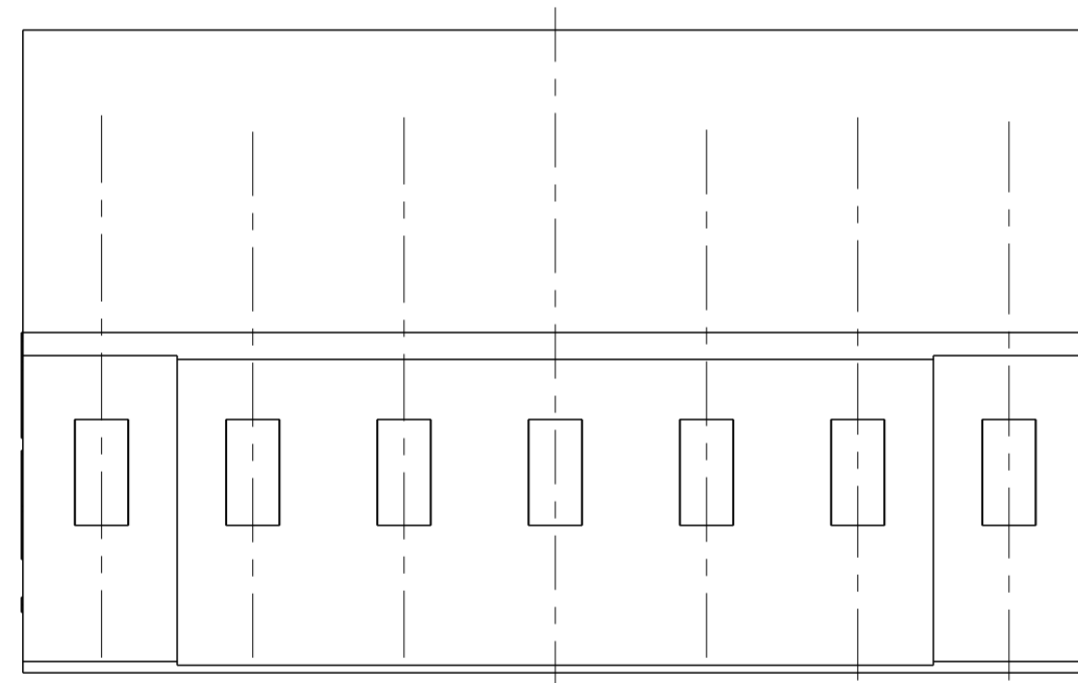
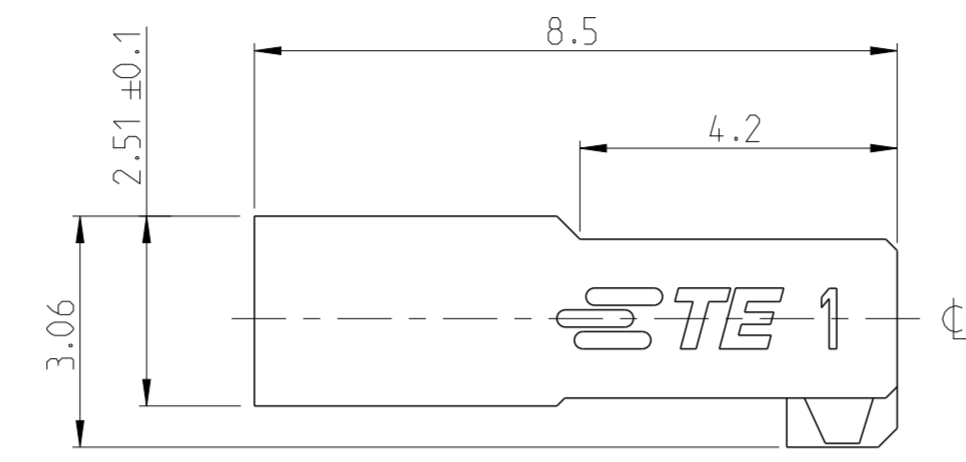
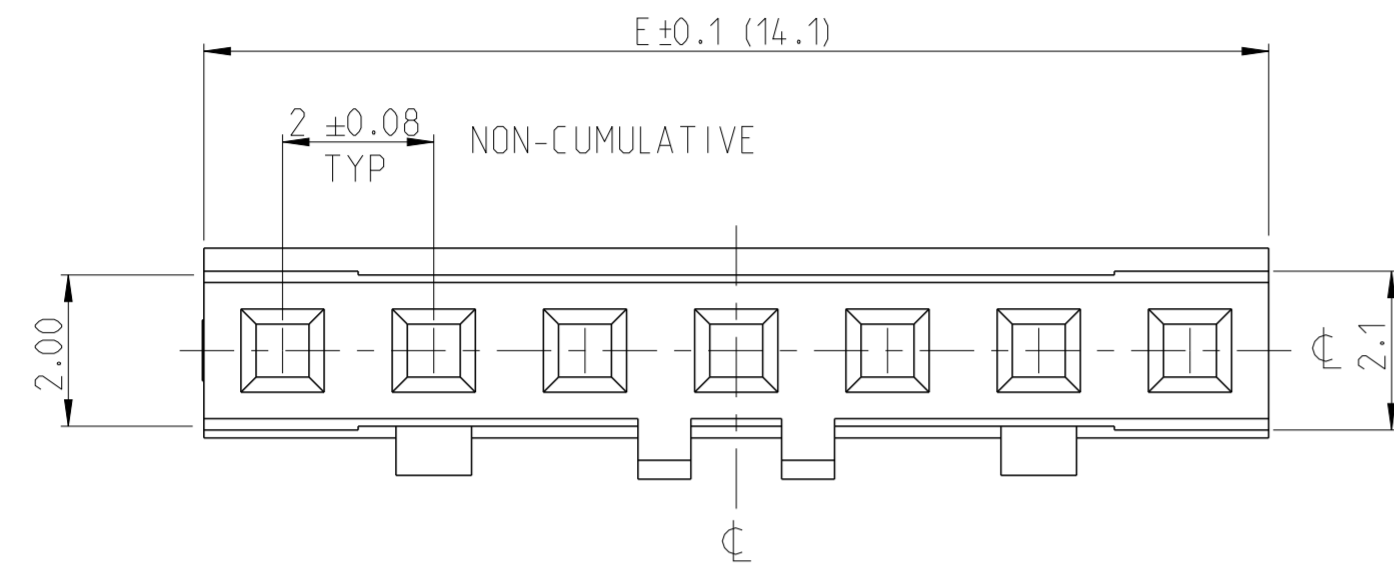


THIS DRAWING IS UNPUBLISHED. RELEASED FOR PUBLICATION
 © COPYRIGHT 2017 TE Connectivity ALL RIGHTS RESERVED.

REVISIONS				
P	LTR	DESCRIPTION	DATE	APVD
8		OUTER PROFILE CHANGED BACK	01MAR2019	SS PS
9		RIBS ADDED AT BOTH ENDS	05APR2019	HSR PS
10		OVERALL LENGTH UPDATED	12SEP2019	AY PS
11		REMOVED NOTE 5	19SEP2019	AY PS

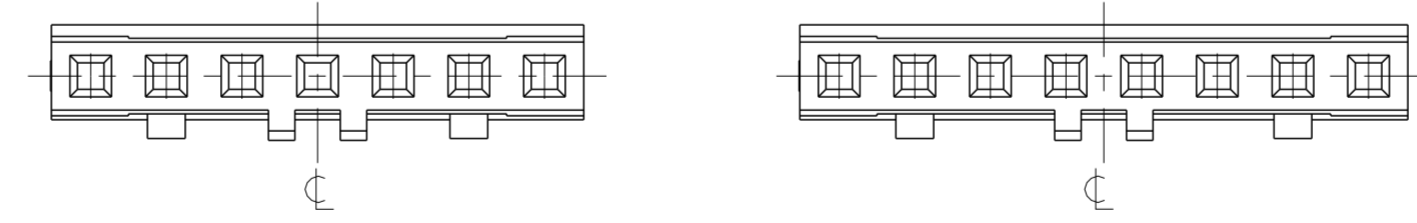
NOTES:

- MATERIAL:
LCP BLACK, UL94 V0
- N = NUMBER OF POSITION PER HOUSING.
- HOUSING TO BE USED WITH CRIMP CONTACTS
2316113 (AWG 28-24/0.08-0.22 mm²) AND
2316114 (AWG 30-28/0.05-0.08 mm²)
- PACKAGING : BULK BOX
TUBE PACKAGING IS ON REQUEST ONLY



CENTERLINE FOR ODD AND EVEN POSITION HOUSINGS

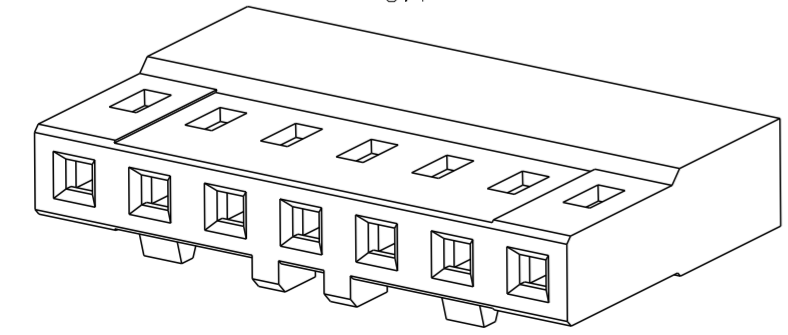
SCALE 5:1



SINGLE ROW HOUSING.
POLARIZED W/ LOCKING
RAMP VERSION

-7 AS SHOWN

6:1



BOX PACKAGING		
1-2316103-6	32.1	16
1-2316103-5	30.1	15
1-2316103-4	28.1	14
1-2316103-3	26.1	13
1-2316103-2	24.1	12
1-2316103-1	22.1	11
1-2316103-0	20.1	10
2316103-9	18.1	9
2316103-8	16.1	8
2316103-7	14.1	7
PART NO.	DIM "E"	N

THIS PRINT IS
PRELIMINARY
 UNQUALIFIED PRODUCT
 CONTACT PRODUCT ENGINEERING
 BEFORE USING THIS PRINT

THIS DRAWING IS A CONTROLLED DOCUMENT.

DIMENSIONS: mm	TOLERANCES UNLESS OTHERWISE SPECIFIED: 0 PLC ± 1 PLC ±0.15 2 PLC ±0.10 3 PLC ± 4 PLC ± ANGLES ±2° FINISH -	DWN RAKSHITH R NAYAK 29OCT2016 CHK RAKSHITH R NAYAK 29OCT2016 APVD PRASHANTH S 11DEC2017 PRODUCT SPEC 108-64040-1 APPLICATION SPEC 114-32173 WEIGHT - CUSTOMER DRAWING	NAME AMPMODU 2mm RECEPTACLE, w/B HOUSING, CRIMP, SR, W/ LOCK RAMP SIZE A2 CAGE CODE 00779 DRAWING NO. 2316103 RESTRICTED TO - SCALE 10:1 SHEET 1 OF 1 REV 11
-------------------	---	--	---

TE Connectivity

X-ON Electronics

Largest Supplier of Electrical and Electronic Components

Click to view similar products for [Headers & Wire Housings](#) category:

Click to view products by [TE Connectivity](#) manufacturer:

Other Similar products are found below :

[892-18-020-10-001101](#) [58102-G61-06LF](#) [582553-1](#) [0009485154](#) [009176003701906](#) [0050291907](#) [LY20-4P-DT1-P1E-BR](#) [02.125.8002.8](#)
[609-3404](#) [61062-3](#) [61082-181009](#) [622-3653LF](#) [63453-116](#) [636-1030](#) [636-1427](#) [636-3427](#) [636-4007](#) [641938-9](#) [641991-4](#) [644827-2](#) [65817-](#)
[010LF](#) [65817-015LF](#) [65863-015LF](#) [66207-023LF](#) [67095-007LF](#) [67601157](#) [68645-018](#) [68648-049](#) [70.362.1628.0](#) [70-4210](#) [70-4226B](#) [70-](#)
[4853B](#) [707-5020](#) [707-5028](#) [71.350.2428.0](#) [71918-208LF](#) [71961-016LF](#) [733-134](#) [733-162](#) [754199-000](#) [760-3052](#) [787-8014-00](#) [79531-3000](#)
[FCN-360C032-B](#) [FCN-367T-T012/H](#) [FCN-723D010/2](#) [80.063.4001.1](#) [800-90-001-10-001000](#) [800-90-010-10-002000](#) [801-43-002-10-013000](#)