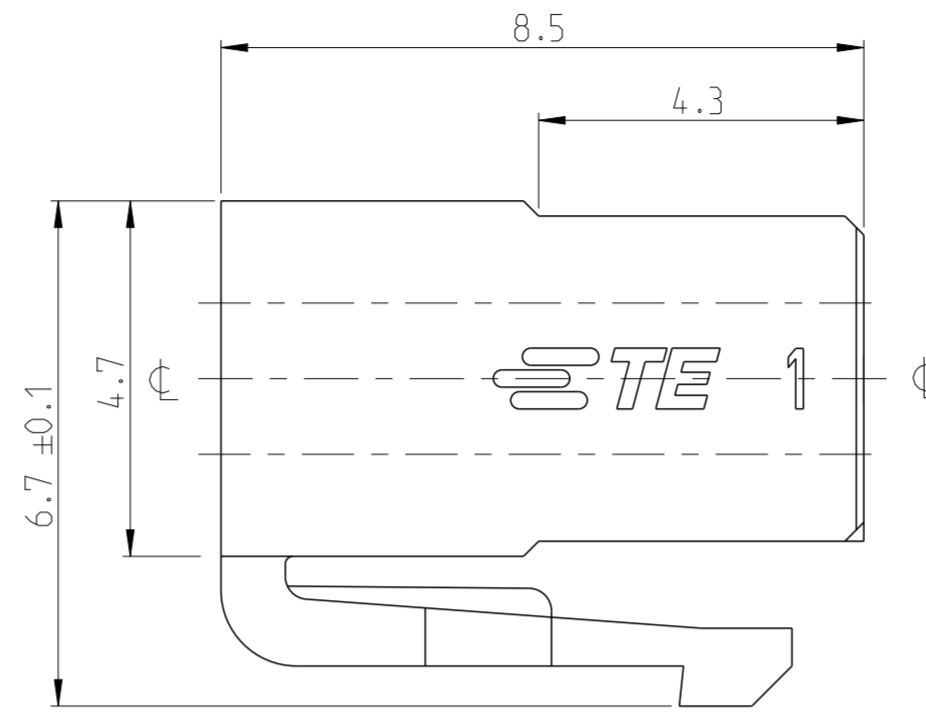
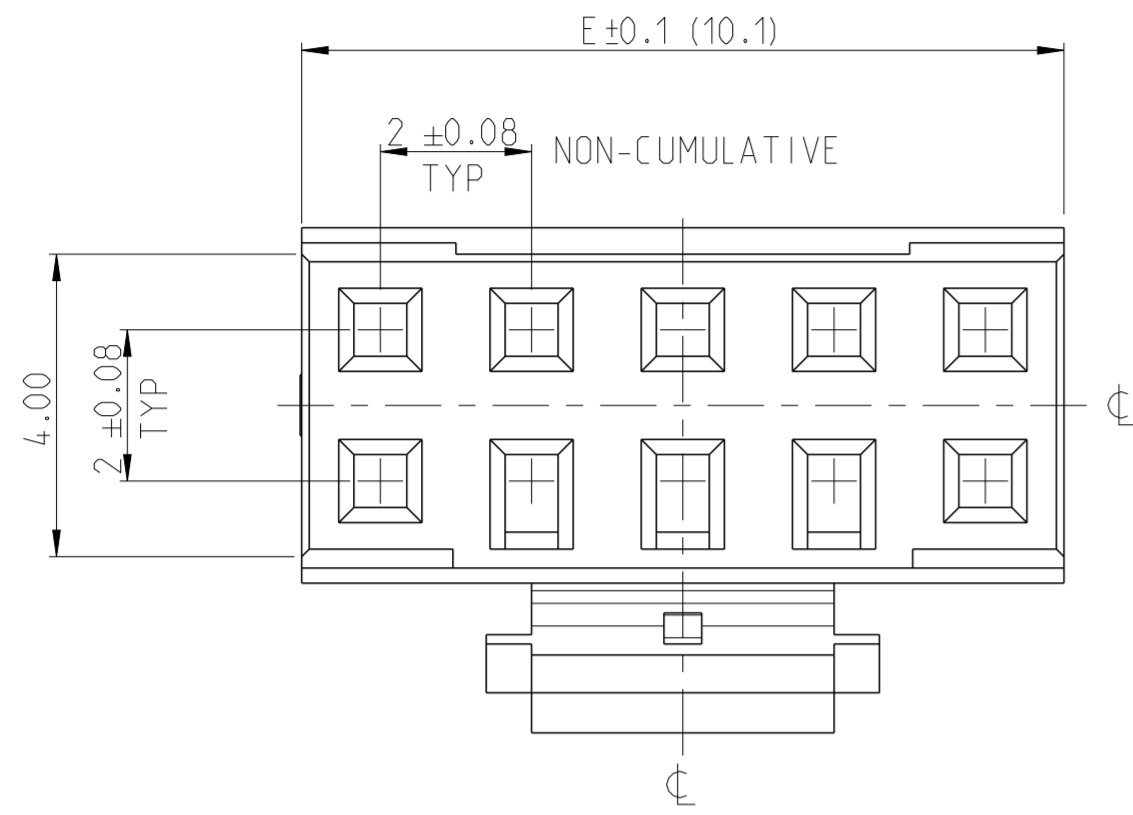
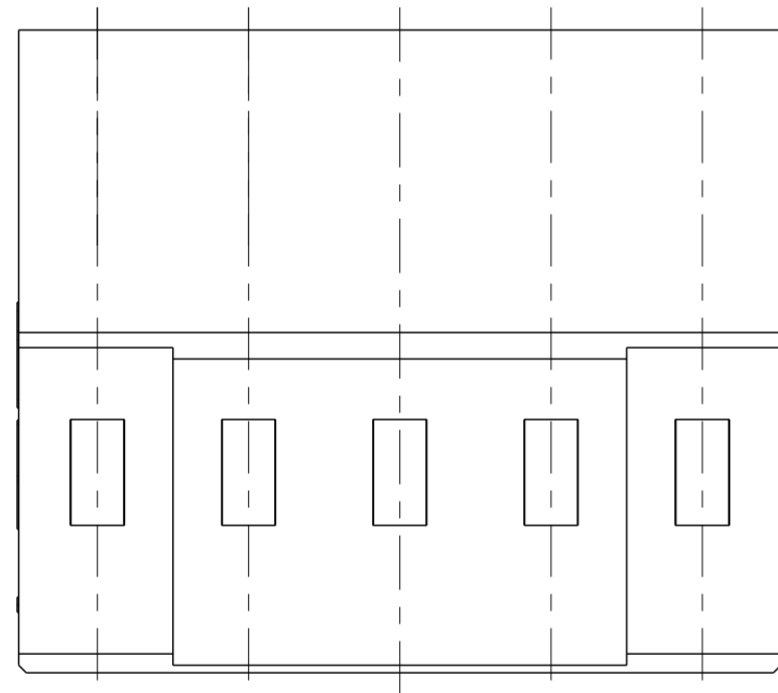


THIS DRAWING IS UNPUBLISHED. RELEASED FOR PUBLICATION
 © COPYRIGHT 2017 TE Connectivity ALL RIGHTS RESERVED.

REVISIONS				
P	LTR	DESCRIPTION	DATE	APVD
9		RIBS ADDED AT BOTH ENDS	08APR2019	HSR PS
10		RIB ADDED ON LATCH	17JUL2019	AY PS
11		OVERALL LENGTH UPDATED	13SEP2019	AY PS
12		REMOVED NOTE 5	19SEP2019	AY PS

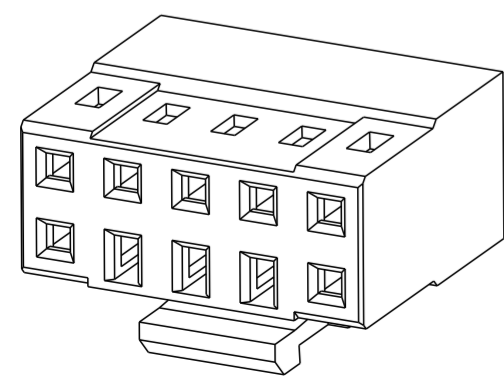


- NOTES:
- MATERIAL:
LCP BLACK, UL94 V0
 - N = NUMBER OF POSITION PER HOUSING.
 - HOUSING TO BE USED WITH CRIMP CONTACTS
2316113 (AWG 28-24/0.08-0.22 mm²) AND
2316114 (AWG 30-28/0.05-0.08 mm²)
 - PACKAGING : BOX



CENTERLINE AND POSITIONS UNDER THE LATCH	HSG W / ODD POS PER ROW	5-2316110-0	50.1	50
		HSG W / EVEN POS PER ROW	4-2316110-4	44.1
		4-2316110-0	40.1	40
		3-2316110-2	32.1	32
		3-2316110-0	30.1	30
		2-2316110-8	28.1	28
		2-2316110-6	26.1	26
		2-2316110-4	24.1	24
		2-2316110-2	22.1	22
		2-2316110-0	20.1	20
		1-2316110-8	18.1	18
		1-2316110-6	16.1	16
		1-2316110-4	14.1	14
		1-2316110-2	12.1	12
		1-2316110-0	10.1	10
		2316110-8	8.1	8
		2316110-6	6.1	6
		PART NO.	DIM "E"	N

DUAL ROW HOUSING
 CENTER LATCH VERSION,
 1- -0 AS SHOWN



SCALE 5:1

THIS PRINT IS
PRELIMINARY
 UNQUALIFIED PRODUCT
 CONTACT PRODUCT ENGINEERING
 BEFORE USING THIS PRINT

THIS DRAWING IS A CONTROLLED DOCUMENT.		DWN RAKSHITH R NAYAK 06SEP2016	STE TE Connectivity	
DIMENSIONS: mm		CHK PRASHANTH S 06SEP2016		
TOLERANCES UNLESS OTHERWISE SPECIFIED:		APVD PRASHANTH S 06SEP2016	NAME AMPMODU 2mm, WTB, RECEPTACLE, HOUSING, CRIMP, DUAL ROW, CENTER LATCH	
0 PLC ±	1 PLC ±0.15	PRODUCT SPEC 108-64040-1	SIZE A2	CAGE CODE 00779
2 PLC ±0.10	3 PLC ±	APPLICATION SPEC 114-32173	DRAWING NO C-2316110	RESTRICTED TO -
4 PLC ±	ANGLES ±°	WEIGHT -	SCALE 10:1	SHEET 1 OF 1
MATERIAL SEE NOTE 1	FINISH -	CUSTOMER DRAWING	REV 12	

X-ON Electronics

Largest Supplier of Electrical and Electronic Components

Click to view similar products for [Headers & Wire Housings](#) category:

Click to view products by [TE Connectivity](#) manufacturer:

Other Similar products are found below :

[892-18-020-10-001101](#) [58102-G61-06LF](#) [582553-1](#) [0009485154](#) [009176003701906](#) [0050291907](#) [LY20-4P-DT1-P1E-BR](#) [02.125.8002.8](#)
[609-3404](#) [61062-3](#) [61082-181009](#) [622-3653LF](#) [63453-116](#) [636-1030](#) [636-1427](#) [636-3427](#) [636-4007](#) [641938-9](#) [641991-4](#) [644827-2](#) [65817-](#)
[010LF](#) [65817-015LF](#) [65863-015LF](#) [66207-023LF](#) [67095-007LF](#) [67601157](#) [68645-018](#) [68648-049](#) [70.362.1628.0](#) [70-4210](#) [70-4226B](#) [70-](#)
[4853B](#) [707-5020](#) [707-5028](#) [71.350.2428.0](#) [71918-208LF](#) [71961-016LF](#) [733-134](#) [733-162](#) [754199-000](#) [760-3052](#) [787-8014-00](#) [79531-3000](#)
[FCN-360C032-B](#) [FCN-367T-T012/H](#) [FCN-723D010/2](#) [80.063.4001.1](#) [800-90-001-10-001000](#) [800-90-010-10-002000](#) [801-43-002-10-013000](#)