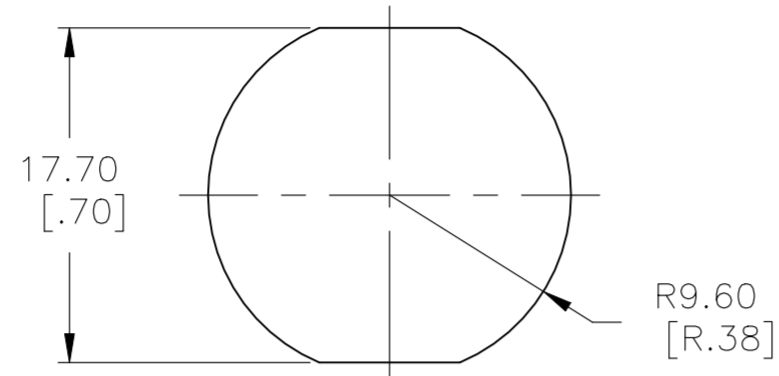
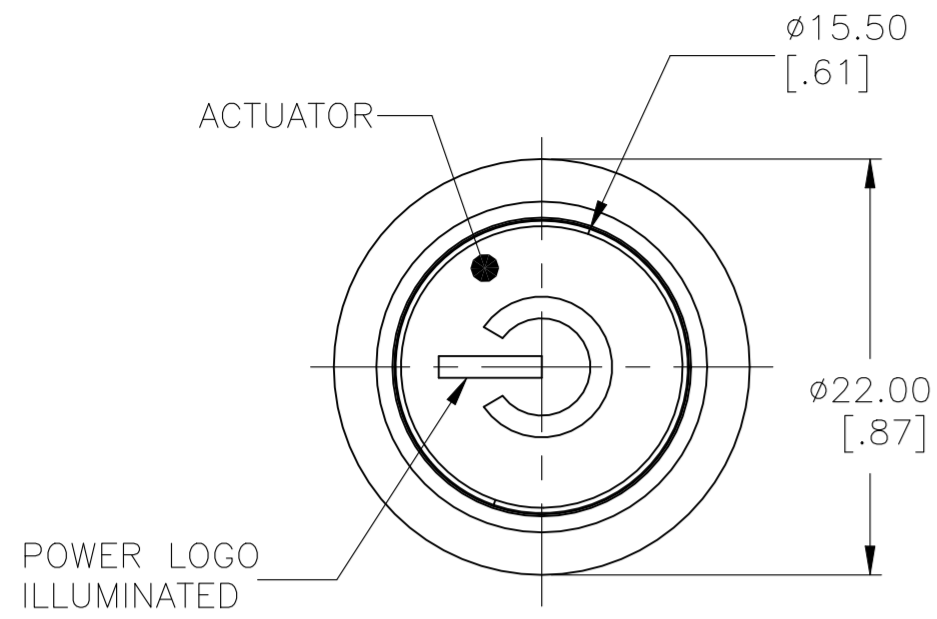


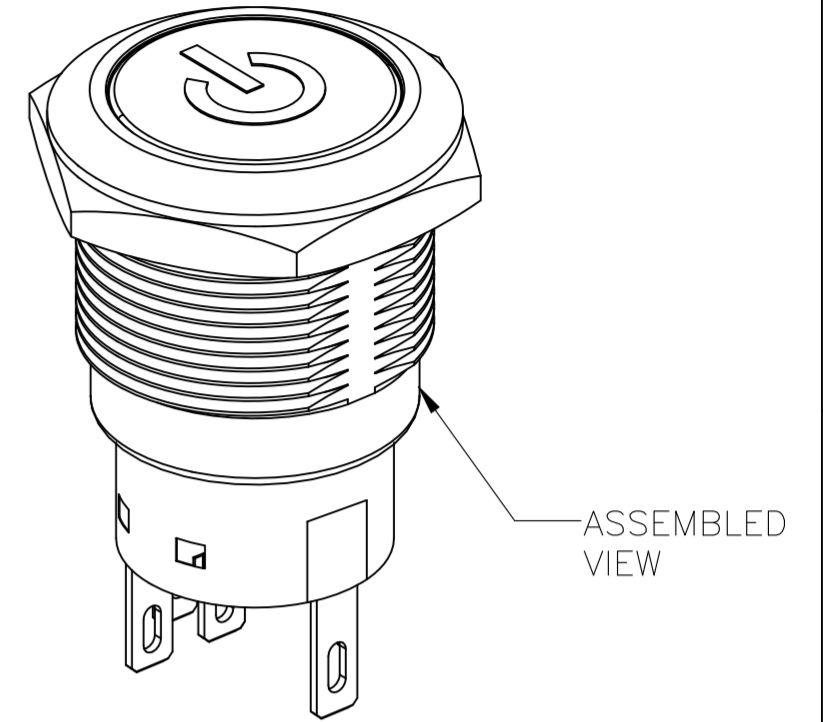
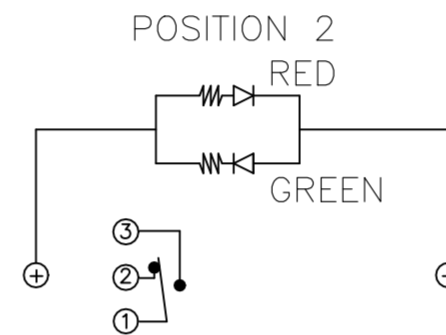
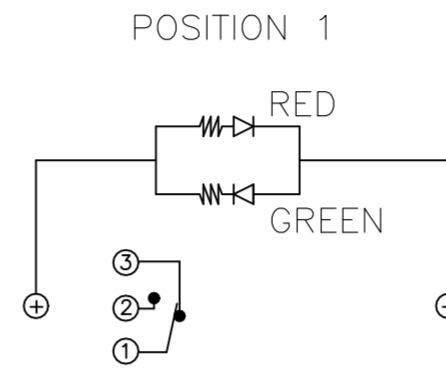
THIS DRAWING IS UNPUBLISHED. RELEASED FOR PUBLICATION
 © COPYRIGHT - By - ALL RIGHTS RESERVED.

REVISIONS					
P	LTR	DESCRIPTION	DATE	DWN	APVD
A1		ECO-21-006709	18JUN2021	RK	AS

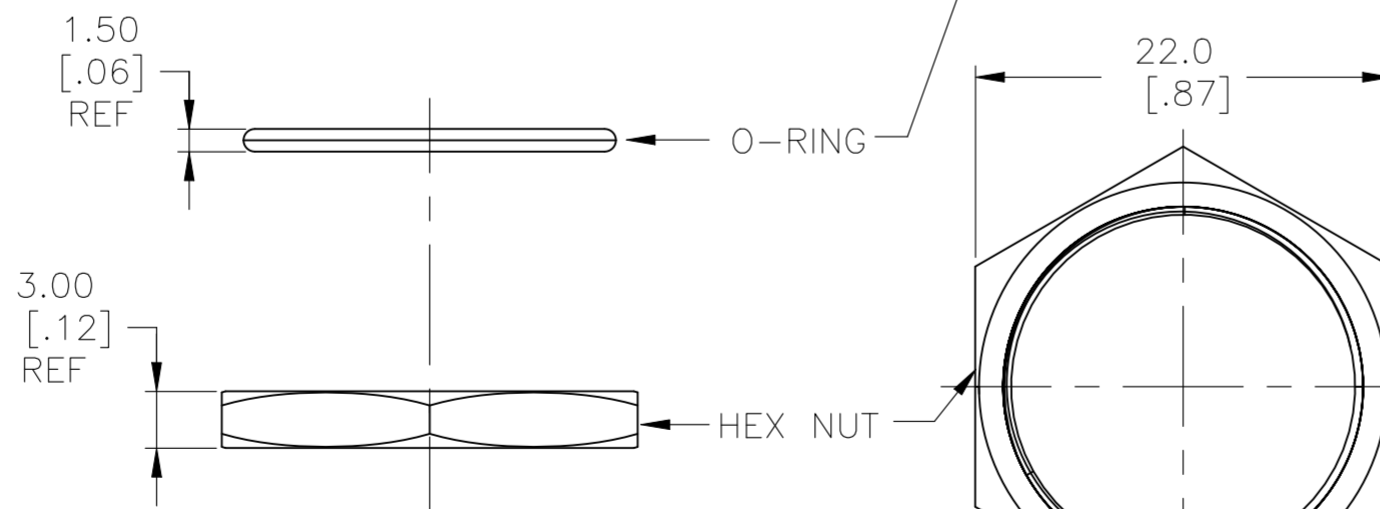
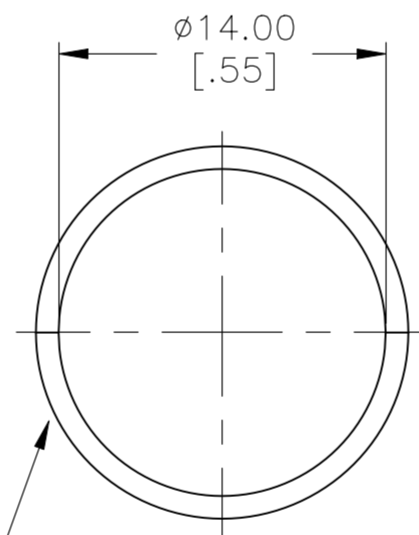
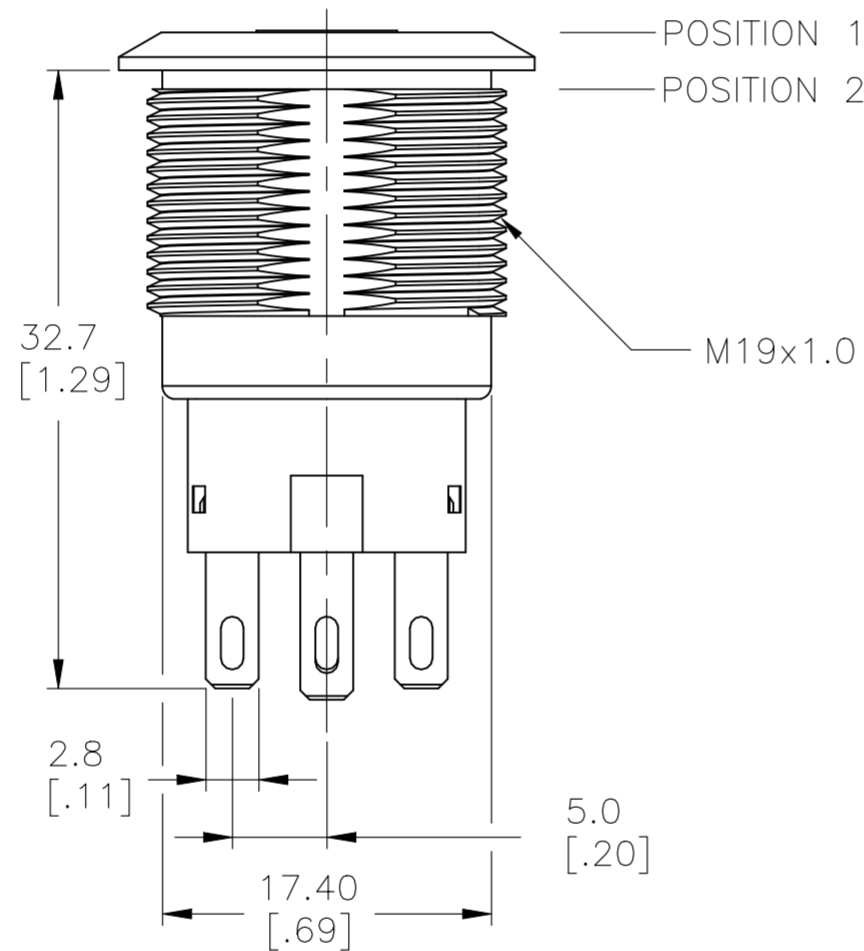
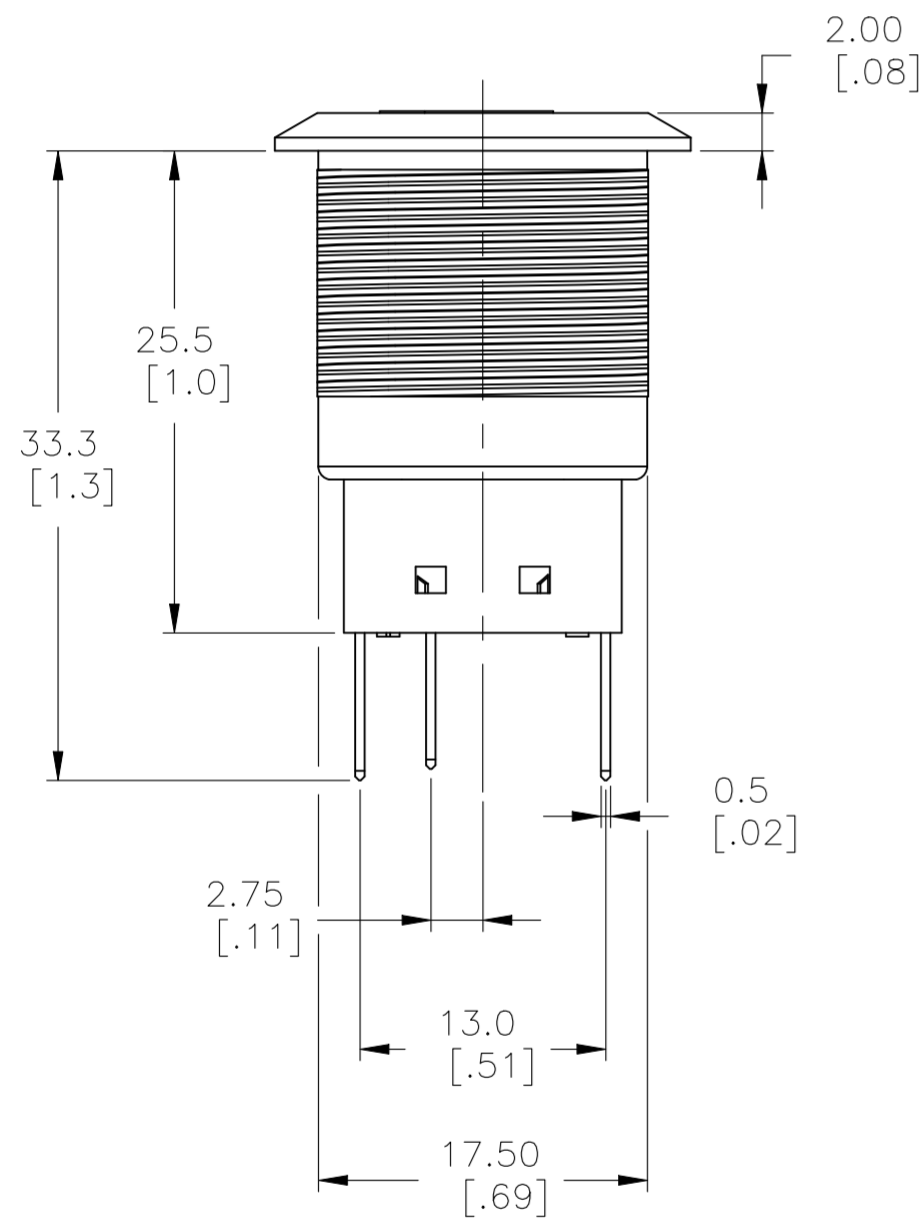
SINGLE POLE SWITCH WITH DUAL COLOR LED's



PANEL CUTOUT
 MAX.PANEL THICKNESS: 10.00[.394]



ASSEMBLED VIEW



EXPLODED VIEW

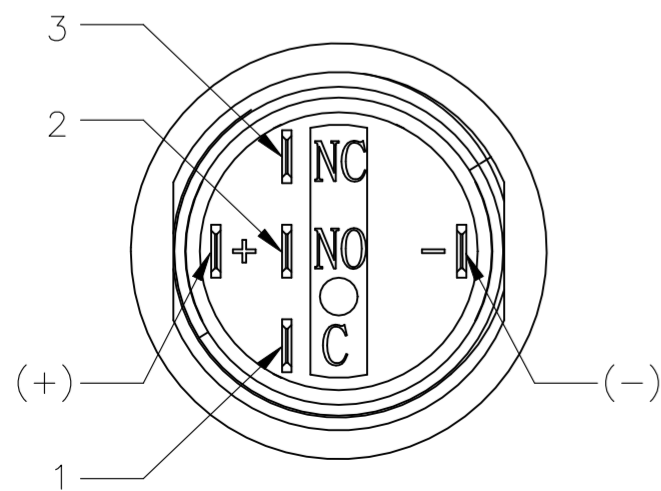
SPECIFICATION:

CONTACT RATING: SILVER; 3A @ 250VAC RESISTIVE
 GOLD; 0.4A @ 20VDC OR PEAK AC
 INSULATION RESISTANCE: 1,000MΩ MIN AT 500VDC
 DIELECTRIC STRENGTH: 2,000V RMS @ SEA LEVEL
 CONTACT RESISTANCE: 50mΩ MAX @ 1A 12VDC (INITIAL VALUE), SOLDER TERMINALS
 100mΩ MAX @ 1A 12VDC (INITIAL VALUES), FLYING LEADS.
 ELECTRICAL LIFE CYCLES: 50,000 MAKE AND BREAK CYCLES AT FULL LOAD.
 ACTUATION FORCE: SP: 2.5±1 N, DP: 3.5±1 N
 ACTUATION TRAVEL: APPROXIMATELY 3.2mm
 SEALED PER IP67, IK10
 OPERATING TEMPERATURE: -20°C TO +55°C
 MECHANICAL LIFECYCLES: MOMENTARY; 1,000,000 CYCLES
 LOCKING; 500,000 CYCLES
 HARDWARE TORQUE: 5-14 N-m.

MATERIALS

BUSHING: STAINLESS STEEL,
 BASE: PBT (UL 94-V0), PC (UL 94-V2),
 ACTUATOR: STAINLESS STEEL, PC
 O-RING: SILICONE,
 TERMINAL/CONTACT: COPPER BASE, SILVER/GOLD PLATED,
 HEX NUT: BRASS BASE, NICKEL PLATED,
 WIRE:UL3385.
 INNER ASSEMBLY: POM/PA66
 SPRING: SPRING STEEL
 SEALING: SILICONE

1. ALL MATERIAL AND FINISHES SHALL COMPLY WITH EU DIRECTIVE 2002/95/EC OF 27JAN2003(ROHS).



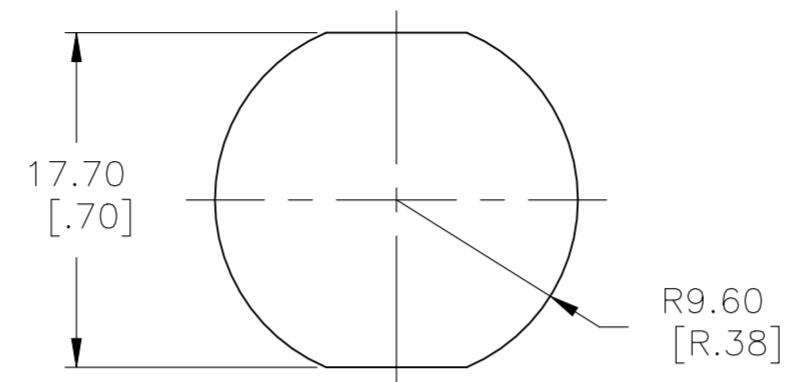
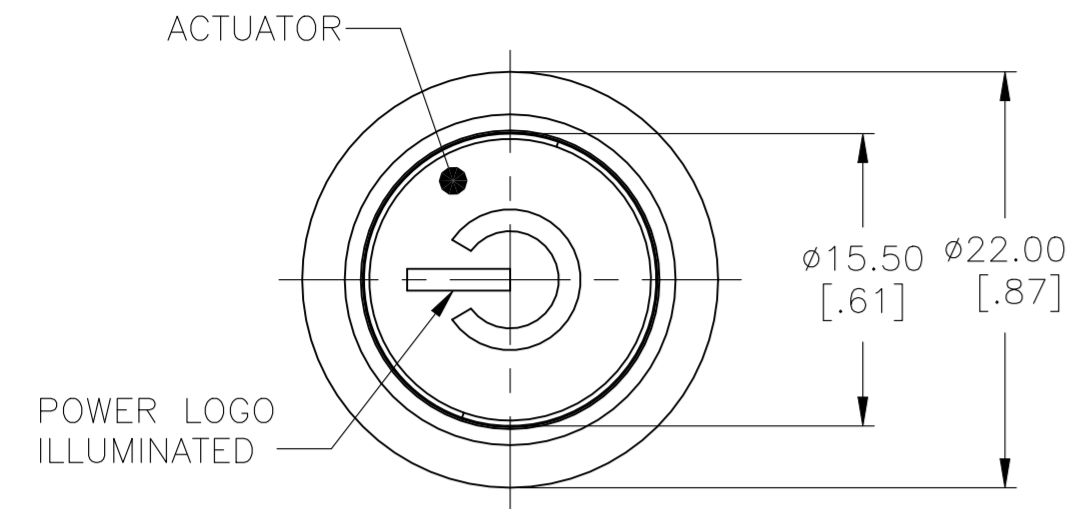
THIS DRAWING IS A CONTROLLED DOCUMENT.		DWN	15FEB2017	 TE Connectivity	NAME ANTI-VANDAL SWITCH 19mm SOLDER TERMINAL FLYING LEADS, POWER LOGO DUAL COLOR LED		
DIMENSIONS:		CHK	15FEB2017				
mm [INCHES]		APVD	15FEB2017				
0 PLC ± - 1 PLC ± 0.4[.016] 2 PLC ± 0.25[.010] 3 PLC ± - 4 PLC ± - ANGLES ± 2°		PRODUCT SPEC					
MATERIAL		FINISH		SIZE	CAGE CODE	DRAWING NO	RESTRICTED TO
-		-		A2	00779	C=2316366	-
CUSTOMER DRAWING				SCALE	1:1	SHEET	1 of 5
				REV	A1		

2316366

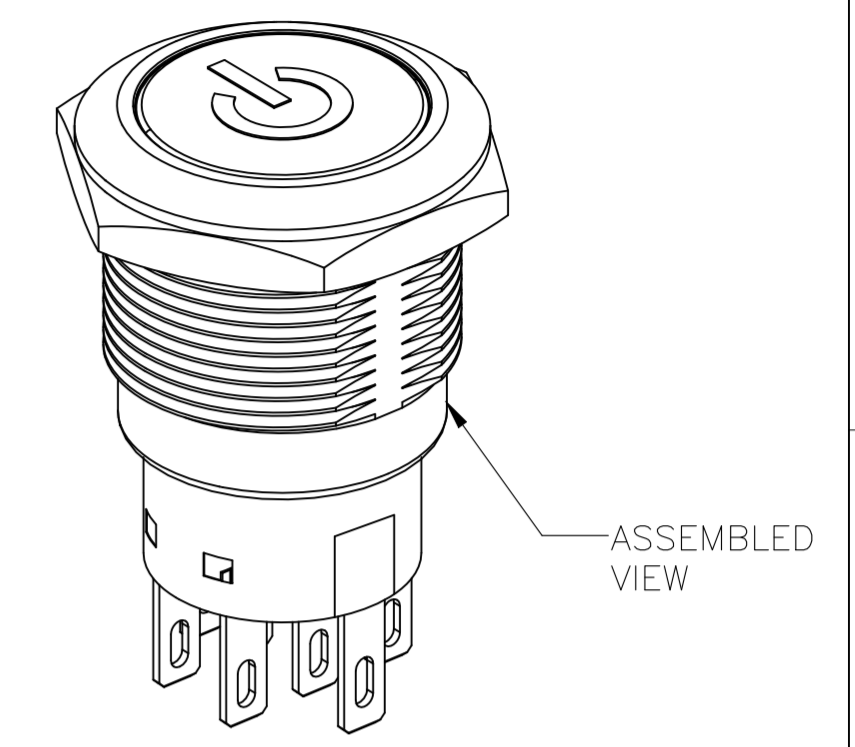
THIS DRAWING IS UNPUBLISHED. RELEASED FOR PUBLICATION
 © COPYRIGHT - By - ALL RIGHTS RESERVED.

REVISIONS					
P	LTR	DESCRIPTION	DATE	DWN	APVD
-	-	SEE SHEET 1	-	-	-

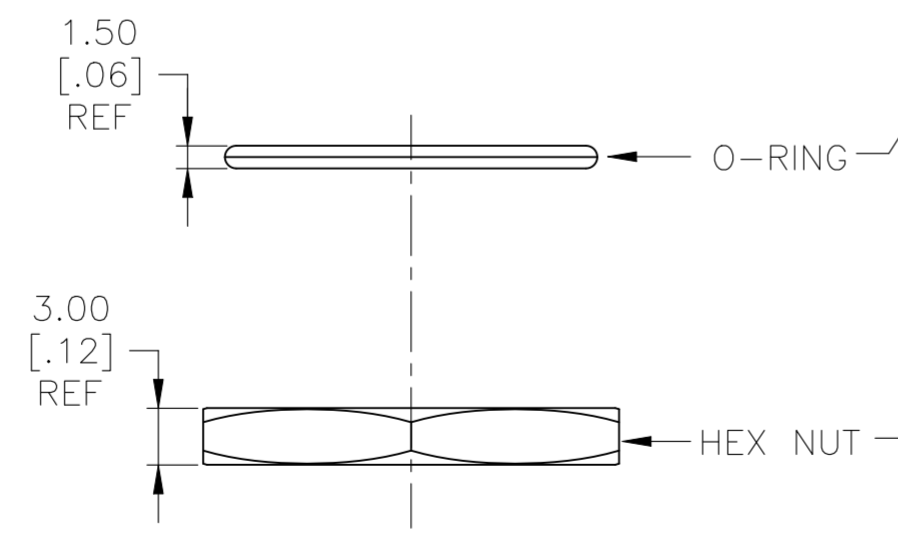
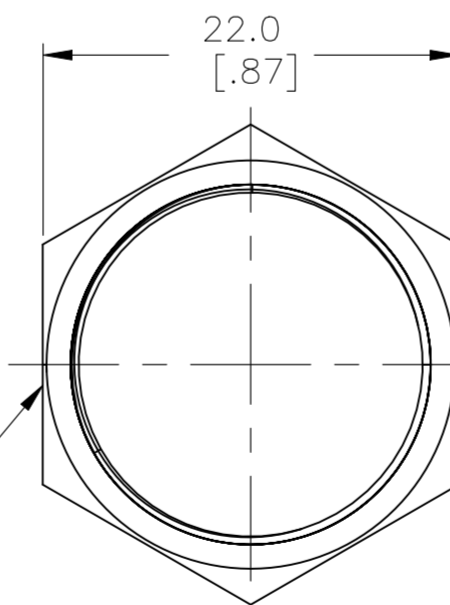
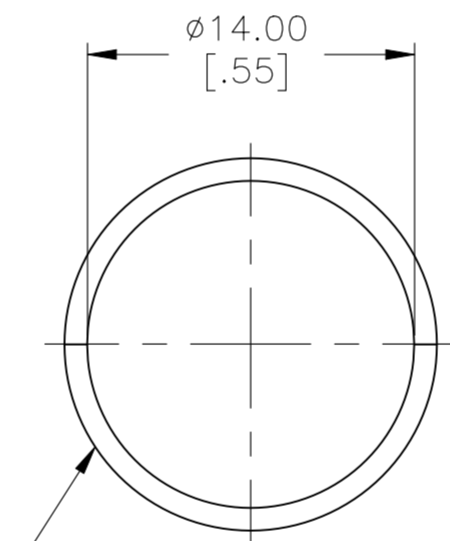
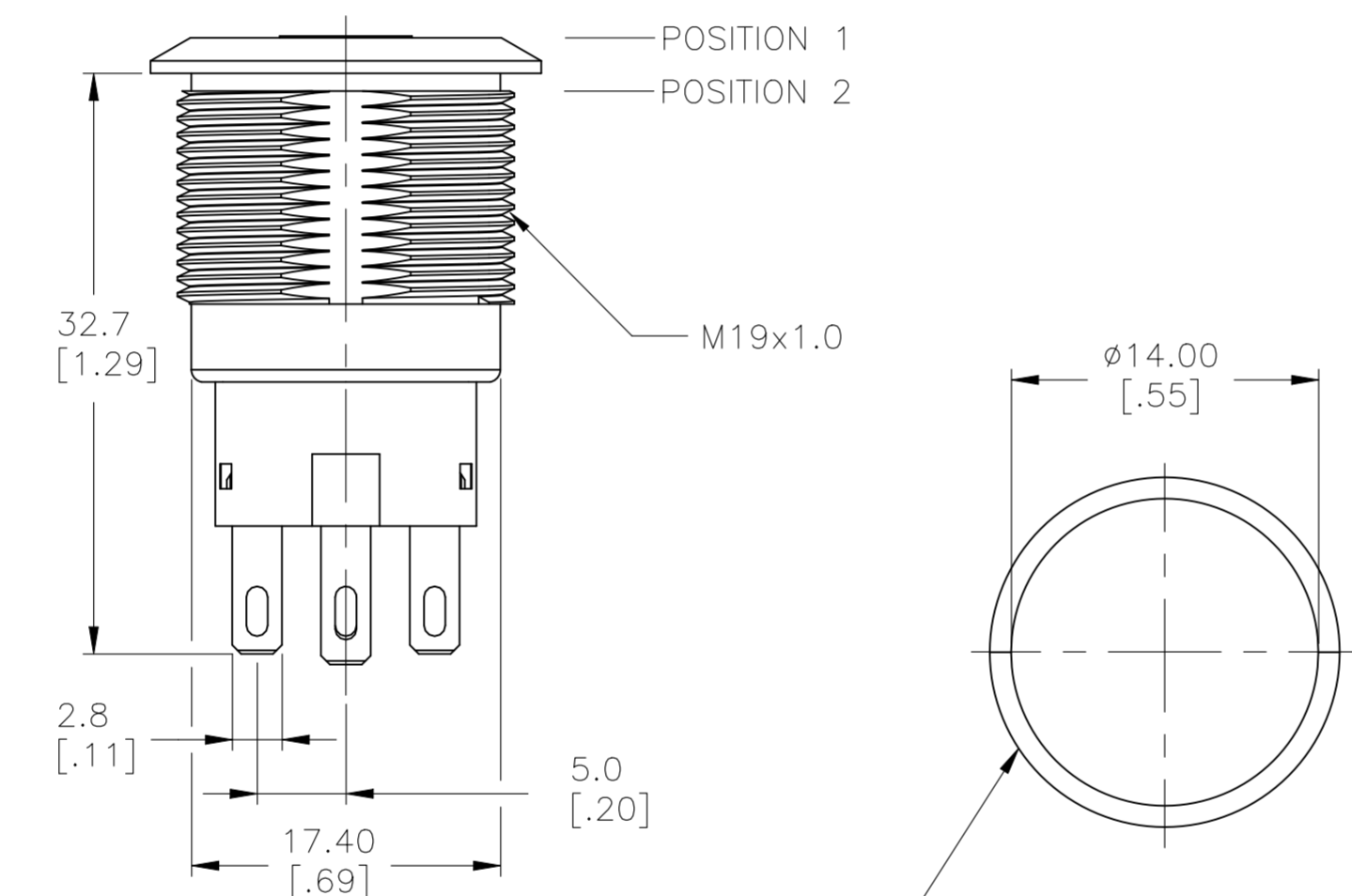
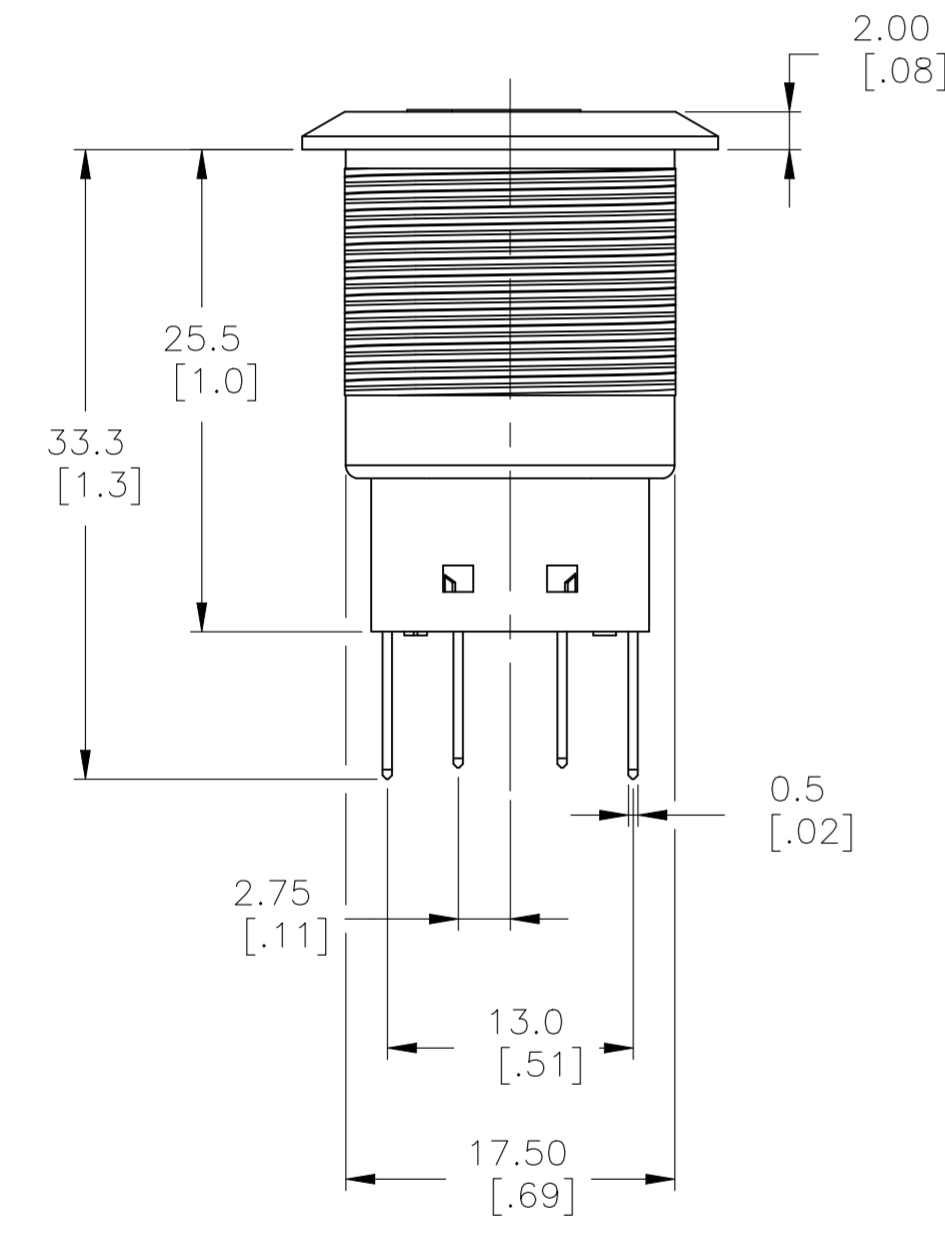
DOUBLE POLE SWITCH WITH DUAL COLOR LED's



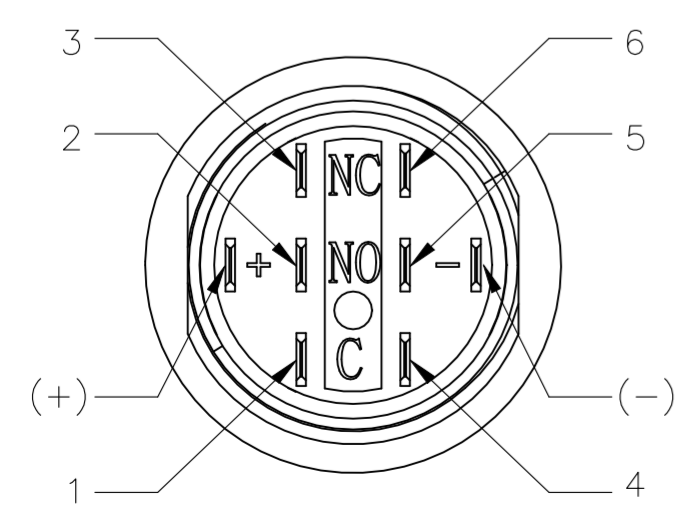
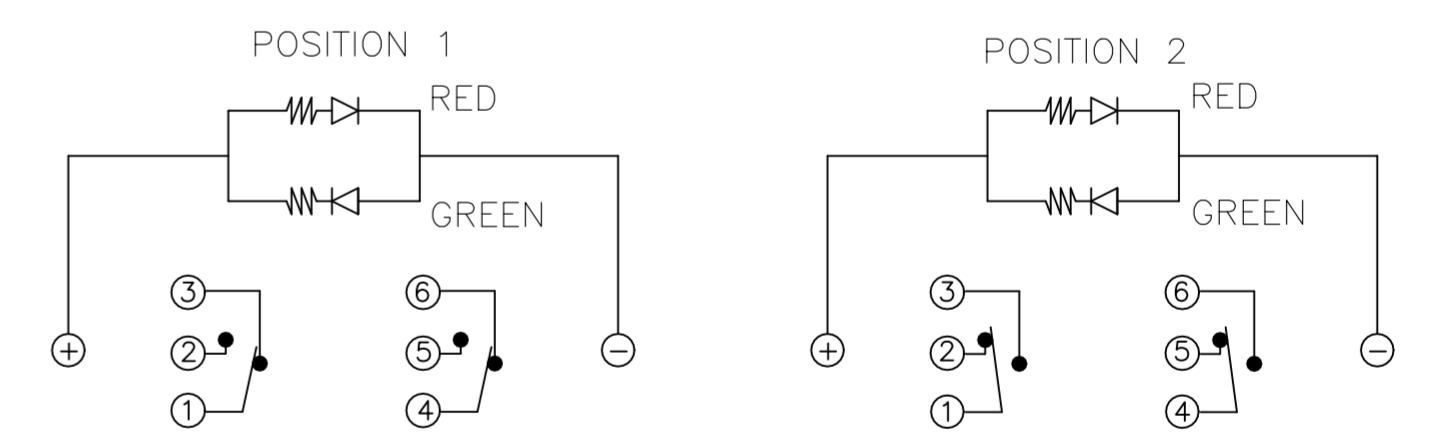
PANEL CUTOUT
 MAX.PANEL THICKNESS: 10.00[.394]



ASSEMBLED VIEW



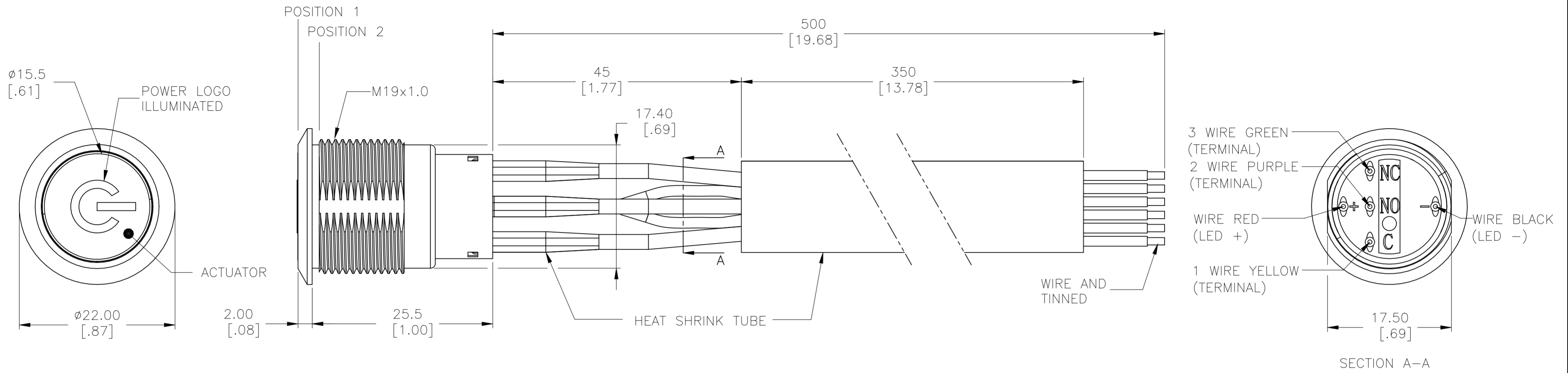
EXPLODED VIEW



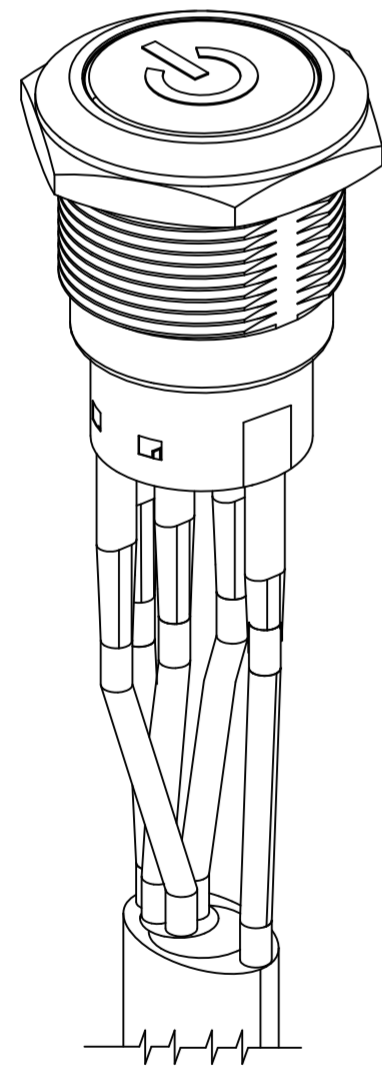
THIS DRAWING IS A CONTROLLED DOCUMENT.		DWN 15FEB2017 SHIVAKUMAR S S	TE Connectivity	
DIMENSIONS: mm [INCHES]		CHK 15FEB2017 SANJAY SHINDIKAR		
TOLERANCES UNLESS OTHERWISE SPECIFIED:		APVD 15FEB2017 SANJAY SHINDIKAR	NAME ANTI-VANDAL SWITCH 19mm SOLDER TERMINAL FLYING LEADS, POWER LOGO DUAL COLOR LED	
0 PLC ± -		PRODUCT SPEC	SIZE CAGE CODE DRAWING NO RESTRICTED TO	
1 PLC ± 0.4[.016]		APPLICATION SPEC	A2 00779 C=2316366 -	
2 PLC ± 0.25[.010]		WEIGHT 0	SCALE 1:1 SHEET 2 of 5 REV A1	
3 PLC ± -		CUSTOMER DRAWING		
4 PLC ± -				
ANGLES ± 2°				
FINISH				

REVISIONS					
P	LTR	DESCRIPTION	DATE	DWN	APVD
-	-	SEE SHEET 1	-	-	-

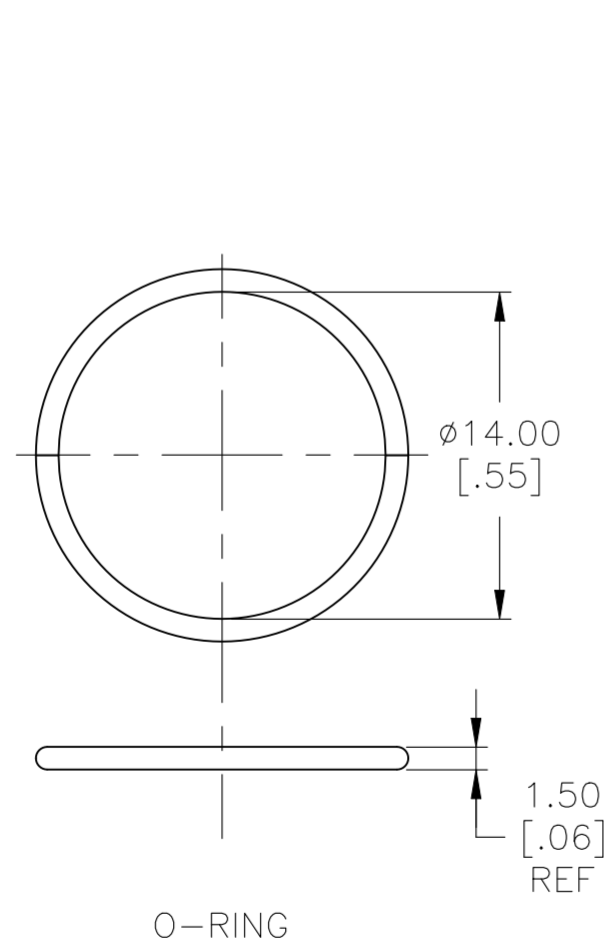
SINGLE POLE SWITCH WITH DUAL COLOR LED'S AND FLYING LEADS



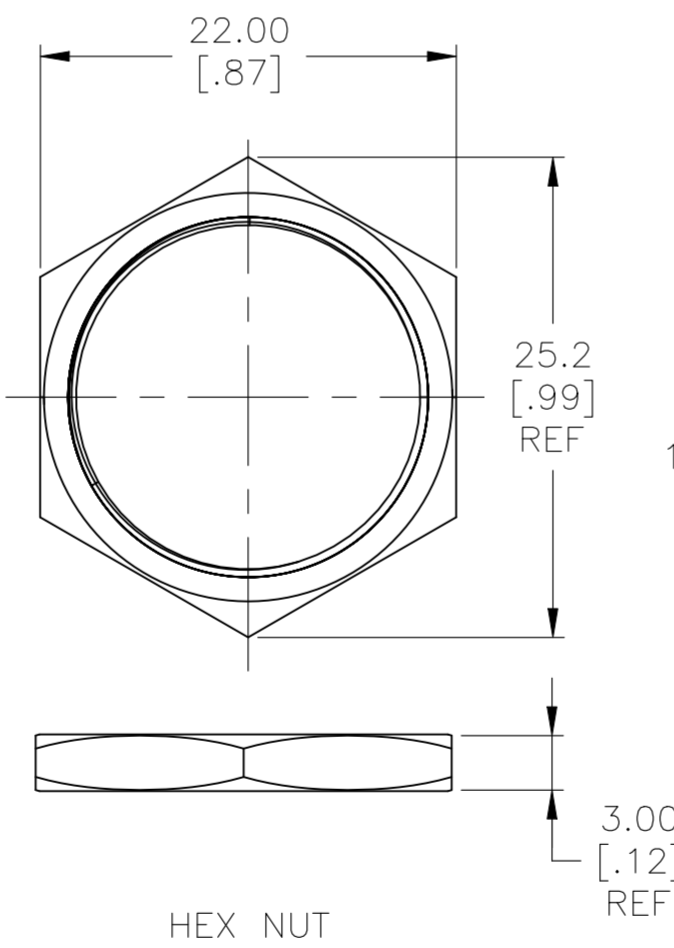
WIRE=18AWG, 300V(BLACK/YELLOW/GREEN/RED/PURPLE)



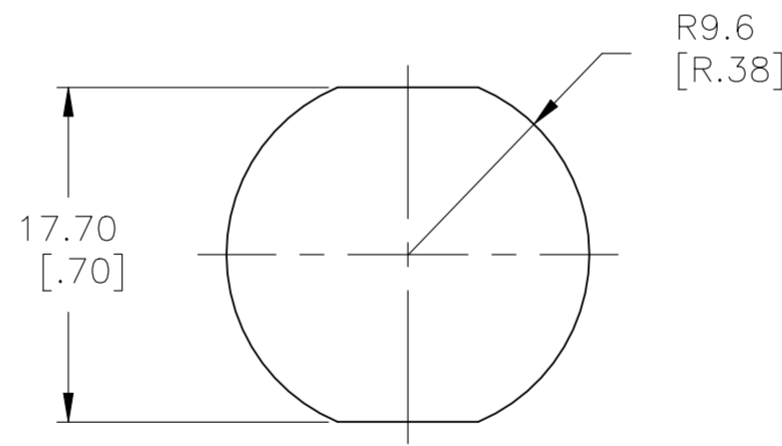
ASSEMBLED VIEW



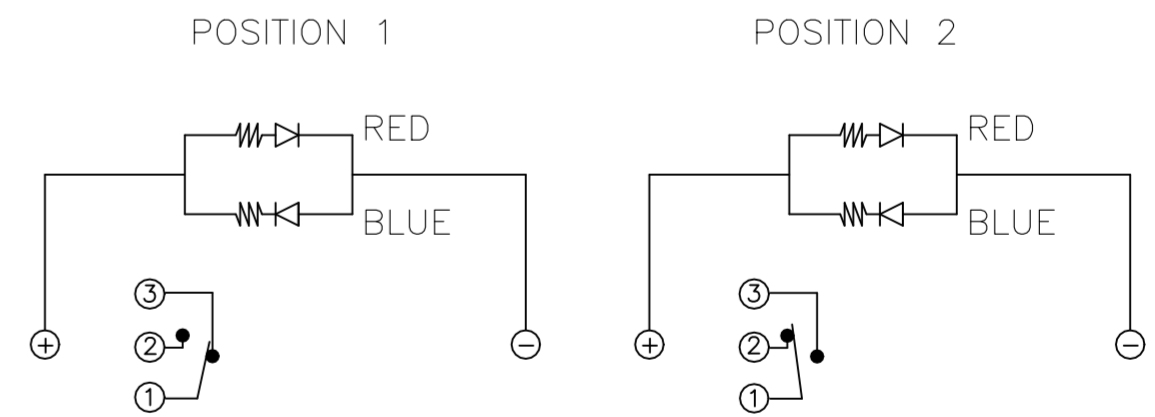
O-RING



HEX NUT



PANEL CUTOUT
MAX.PANEL THICKNESS: 10.00[.394]



POSITION 1

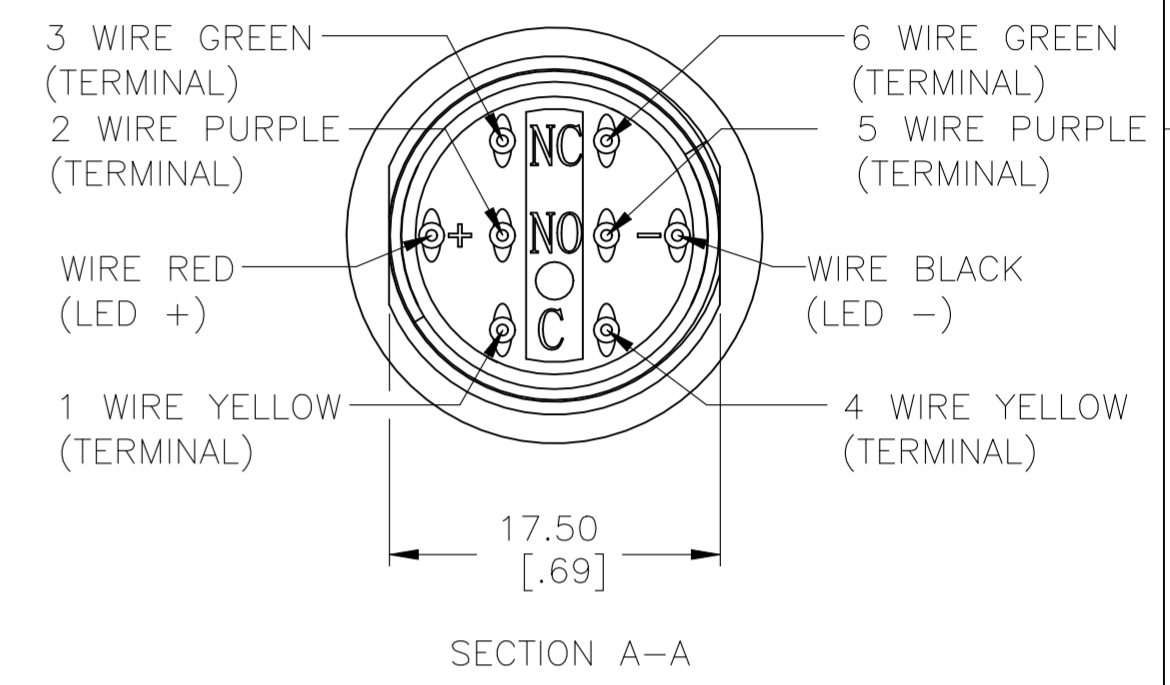
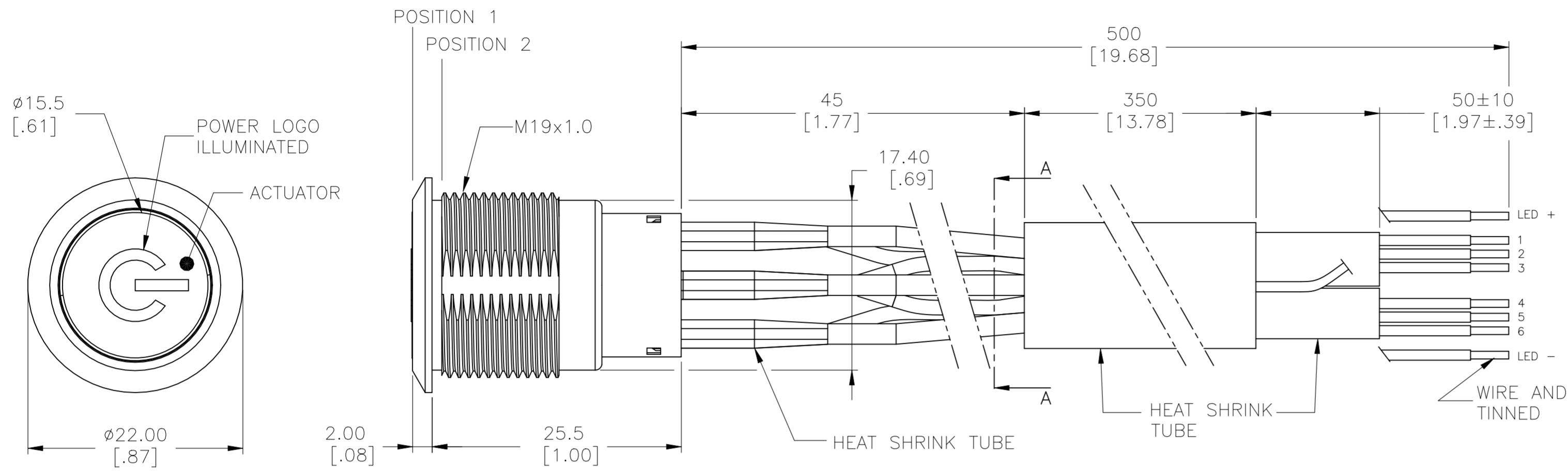
POSITION 2

THIS DRAWING IS A CONTROLLED DOCUMENT.		DWN SHIVAKUMAR S S	15FEB2017	STE TE Connectivity	
DIMENSIONS: mm [INCHES]		CHK SANJAY SHINDIKAR	15FEB2017		
TOLERANCES UNLESS OTHERWISE SPECIFIED:		APVD SANJAY SHINDIKAR	15FEB2017	NAME ANTI-VANDAL SWITCH 19mm SOLDER TERMINAL FLYING LEADS, POWER LOGO DUAL COLOR LED	
0 PLC ± - 1 PLC ± 0.4[.016] 2 PLC ± 0.25[.010] 3 PLC ± - 4 PLC ± - ANGLES ± 2°		PRODUCT SPEC	-	SIZE A2	CAGE CODE 00779
MATERIAL		FINISH	-	DRAWING NO C=2316366	RESTRICTED TO
-		-	-	WEIGHT 0	SCALE 1:1
-		CUSTOMER DRAWING		SHEET 3 of 5	REV A1

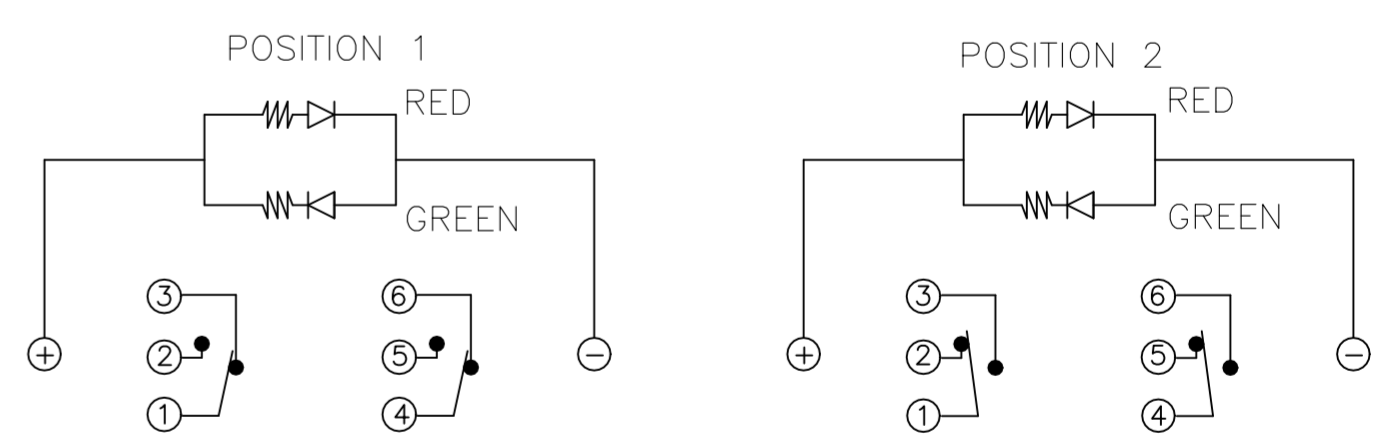
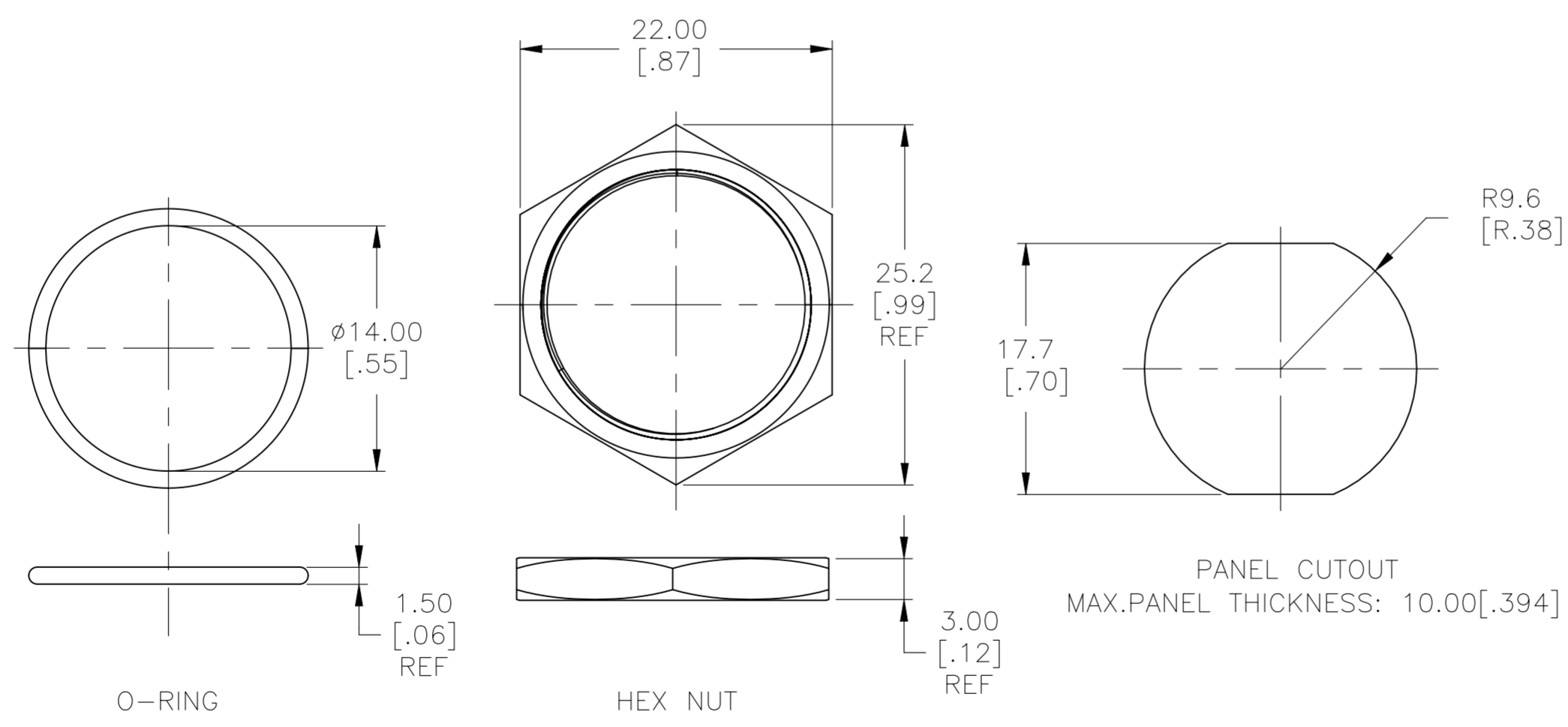
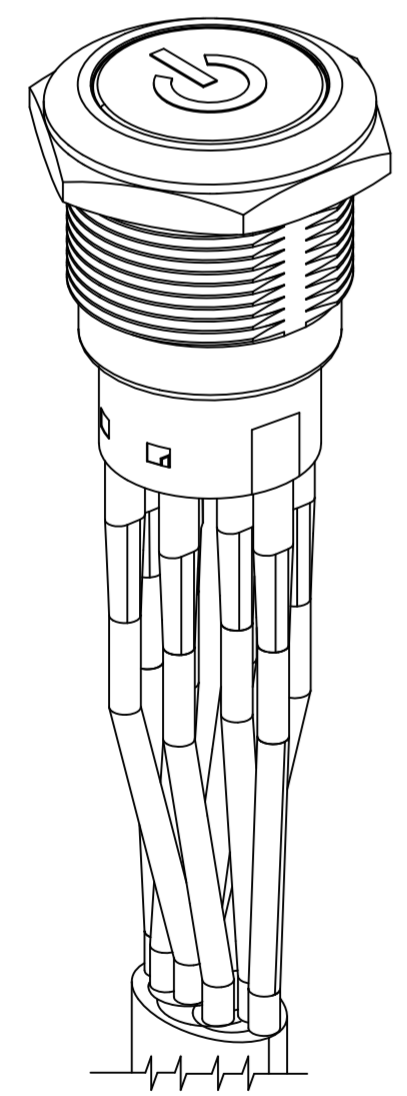
THIS DRAWING IS UNPUBLISHED. RELEASED FOR PUBLICATION
 © COPYRIGHT - By - ALL RIGHTS RESERVED.

REVISIONS					
P	LTR	DESCRIPTION	DATE	DWN	APVD
-	-	SEE SHEET 1	-	-	-

DOUBLE POLE SWITCH WITH DUAL COLOR LED'S AND FLYING LEADS



WIRE=18AWG, 300V(BLACK/YELLOW/GREEN/RED/PURPLE)



THIS DRAWING IS A CONTROLLED DOCUMENT.		DWN SHIVAKUMAR S S 15FEB2017	TE Connectivity	
DIMENSIONS: mm [INCHES]		CHK SANJAY SHINDIKAR 15FEB2017		
TOLERANCES UNLESS OTHERWISE SPECIFIED:		APVD SANJAY SHINDIKAR 15FEB2017	NAME ANTI-VANDAL SWITCH 19mm SOLDER TERMINAL FLYING LEADS, POWER LOGO DUAL COLOR LED	
0 PLC ± - 1 PLC ± 0.4[.016] 2 PLC ± 0.25[.010] 3 PLC ± - 4 PLC ± - ANGLES ± 2°		PRODUCT SPEC -	SIZE A2	CAGE CODE 00779
MATERIAL -		FINISH -	DRAWING NO C=2316366	RESTRICTED TO -
CUSTOMER DRAWING		WEIGHT 0	SCALE 1:1	SHEET 4 OF 5
				REV A1

THIS DRAWING IS UNPUBLISHED. RELEASED FOR PUBLICATION
 © COPYRIGHT - By - ALL RIGHTS RESERVED.

REVISIONS					
P	LTR	DESCRIPTION	DATE	DWN	APVD
-	-	SEE SHEET 1	-	-	-

CONTACT PLATING	LIGHT TYPE	TERMINAL OPTION	POLE/THROW	LED COLOR	LED VOLTAGE	TE DESCRIPTIVE PART NUMBER	TE PART NUMBER	
SILVER	POWER LOGO	FLYING LEAD TERMINALS	DOUBLE POLE - MOMENTARY	RED & YELLOW	24	AV1920PG24T5Q04	4-2316366-7	
				RED & YELLOW	12	AV1920PG12T5Q04	4-2316366-6	
				RED & BLUE	24	AV1920PB24T5Q04	4-2316366-5	
				RED & BLUE	12	AV1920PB12T5Q04	4-2316366-4	
				RED & GREEN	24	AV1920PA24T5Q04	4-2316366-3	
				RED & GREEN	12	AV1920PA12T5Q04	4-2316366-2	
			SINGLE POLE - LOCKING	RED & YELLOW	24	AV1911PG24T5Q04	4-2316366-1	
				RED & YELLOW	12	AV1911PG12T5Q04	4-2316366-0	
				RED & BLUE	24	AV1911PB24T5Q04	3-2316366-9	
				RED & BLUE	12	AV1911PB12T5Q04	3-2316366-8	
				RED & GREEN	24	AV1911PA24T5Q04	3-2316366-7	
				RED & GREEN	12	AV1911PA12T5Q04	3-2316366-6	
		SOLDER TERMINALS	DOUBLE POLE - MOMENTARY	SINGLE POLE - MOMENTARY	RED & YELLOW	24	AV1910PG24T5Q04	3-2316366-5
					RED & YELLOW	12	AV1910PG12T5Q04	3-2316366-4
					RED & BLUE	24	AV1910PB24T5Q04	3-2316366-3
					RED & BLUE	12	AV1910PB12T5Q04	3-2316366-2
					RED & GREEN	24	AV1910PA24T5Q04	3-2316366-1
					RED & GREEN	12	AV1910PA12T5Q04	3-2316366-0
			SINGLE POLE - LOCKING	SINGLE POLE - MOMENTARY	RED & YELLOW	24	AV1920PG24Q04	1-2316366-8
					RED & YELLOW	12	AV1920PG12Q04	1-2316366-7
					RED & BLUE	24	AV1920PB24Q04	1-2316366-6
					RED & BLUE	12	AV1920PB12Q04	1-2316366-5
					RED & GREEN	24	AV1920PA24Q04	1-2316366-4
					RED & GREEN	12	AV1920PA12Q04	1-2316366-3
SINGLE POLE - LOCKING	SINGLE POLE - MOMENTARY	RED & YELLOW	24	AV1911PG24Q04	1-2316366-2			
		RED & YELLOW	12	AV1911PG12Q04	1-2316366-1			
		RED & BLUE	24	AV1911PB24Q04	1-2316366-0			
		RED & BLUE	12	AV1911PB12Q04	2316366-9			
		RED & GREEN	24	AV1911PA24Q04	2316366-8			
		RED & GREEN	12	AV1911PA12Q04	2316366-7			
SINGLE POLE - MOMENTARY	SINGLE POLE - MOMENTARY	RED & YELLOW	24	AV1910PG24Q04	2316366-6			
		RED & YELLOW	12	AV1910PG12Q04	2316366-5			
		RED & BLUE	24	AV1910PB24Q04	2316366-4			
		RED & BLUE	12	AV1910PB12Q04	2316366-3			
		RED & GREEN	24	AV1910PA24Q04	2316366-2			
		RED & GREEN	12	AV1910PA12Q04	2316366-1			

THIS DRAWING IS A CONTROLLED DOCUMENT.		DWN 15FEB2017 SHIVAKUMAR S S	STE TE Connectivity	
		CHK 15FEB2017 SANJAY SHINDIKAR		
		APVD 15FEB2017 SANJAY SHINDIKAR	NAME ANTI-VANDAL SWITCH 19mm SOLDER TERMINAL FLYING LEADS, POWER LOGO DUAL COLOR LED	
DIMENSIONS: mm [INCHES]		TOLERANCES UNLESS OTHERWISE SPECIFIED:	PRODUCT SPEC	
		0 PLC ± -	APPLICATION SPEC	
		1 PLC ± 0.4[.016]	-	
		2 PLC ± 0.25[.010]	-	
		3 PLC ± -	-	
MATERIAL		FINISH	WEIGHT 0	SIZE A2
			CAGE CODE 00779	DRAWING NO C-2316366
			CUSTOMER DRAWING	RESTRICTED TO -
			SCALE 1:1	SHEET 5 of 5
				REV A1

X-ON Electronics

Largest Supplier of Electrical and Electronic Components

Click to view similar products for [Pushbutton Switches](#) category:

Click to view products by [TE Connectivity](#) manufacturer:

Other Similar products are found below :

[8940K2012](#) [LW1L-M1C10V-A](#) [LW1L-M1C70-A](#) [LW2L-A1C20M-GD](#) [LW2L-M1C20M-A](#) [60324L](#) [M22-D-R-GB0/K11](#) [M7E-HRN2](#)
[67021K512](#) [67081K512X](#) [701PB580](#) [7199K101](#) [810K12910](#) [810KSV30B](#) [MML21EA2ADK](#) [MML21KA3ABK](#) [MML23KA3AC05K-001](#)
[MML23KW3AA01W](#) [8418K2](#) [8442K3](#) [8450K1](#) [860K11911T01A](#) [861901](#) [861K11911T01A07](#) [861K13810T00A14](#) [861K13911](#)
[8646AB6X718UL](#) [8646ABUL](#) [9001KXRK](#) [907AYY100](#) [PMHD155A1](#) [9533CD4+U574+U4922](#) [95-414.000](#) [99-450.837](#) [99-453.837](#)
[PV3H2B0NN-341](#) [1203MRA](#) [A22NZBGANGA](#) [A22NZBNANGA](#) [A22NZMPATRA](#) [A2PMA1X03EC56](#) [A3A-5123-02](#) [A3A-7140](#) [A3A-7310](#) [A3A-7340](#) [A3U-TMW-A2C-5M](#) [A595](#) [12037A2ULCSA](#) [ABD122N-B](#) [1211390004](#)