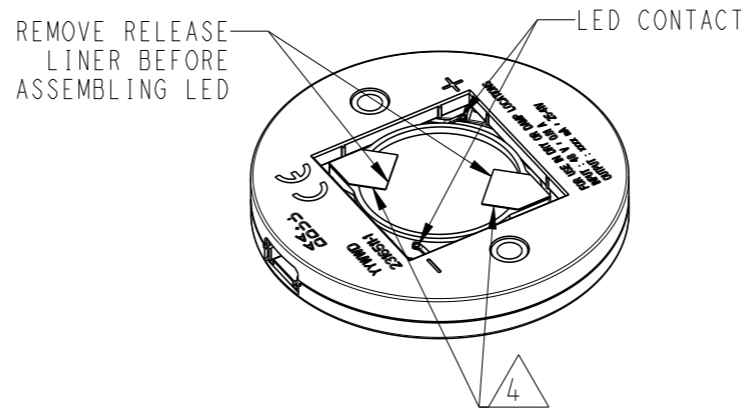
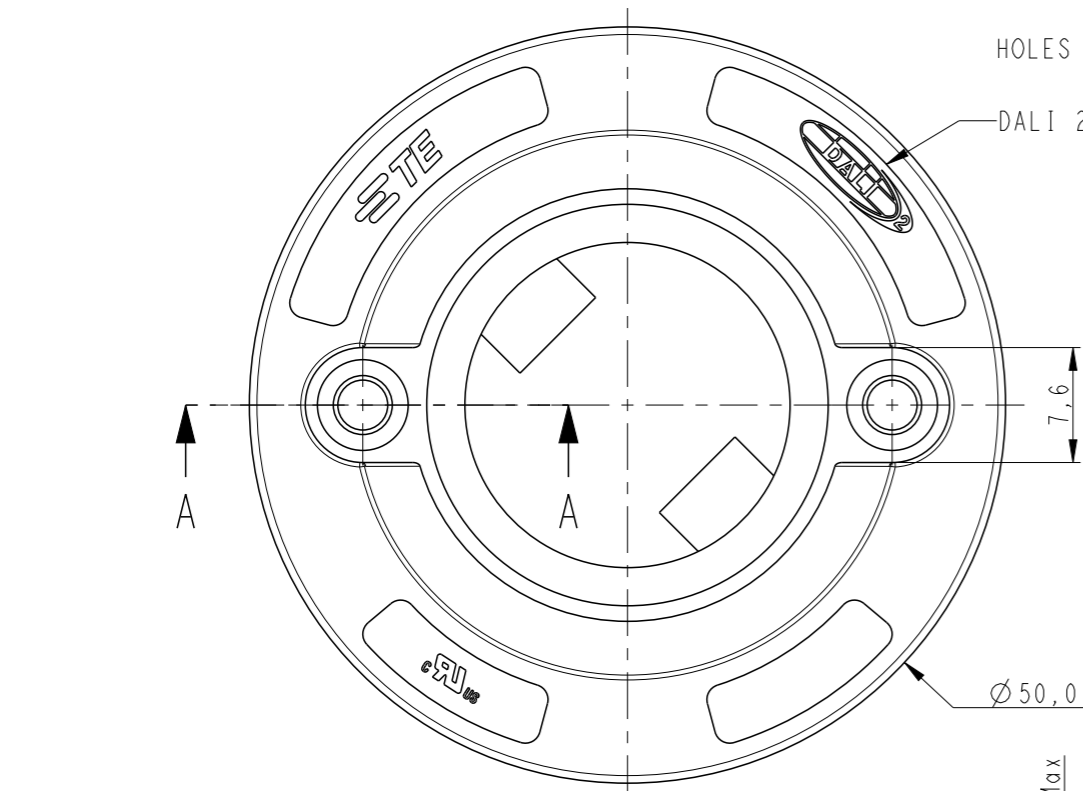


REVISIONS

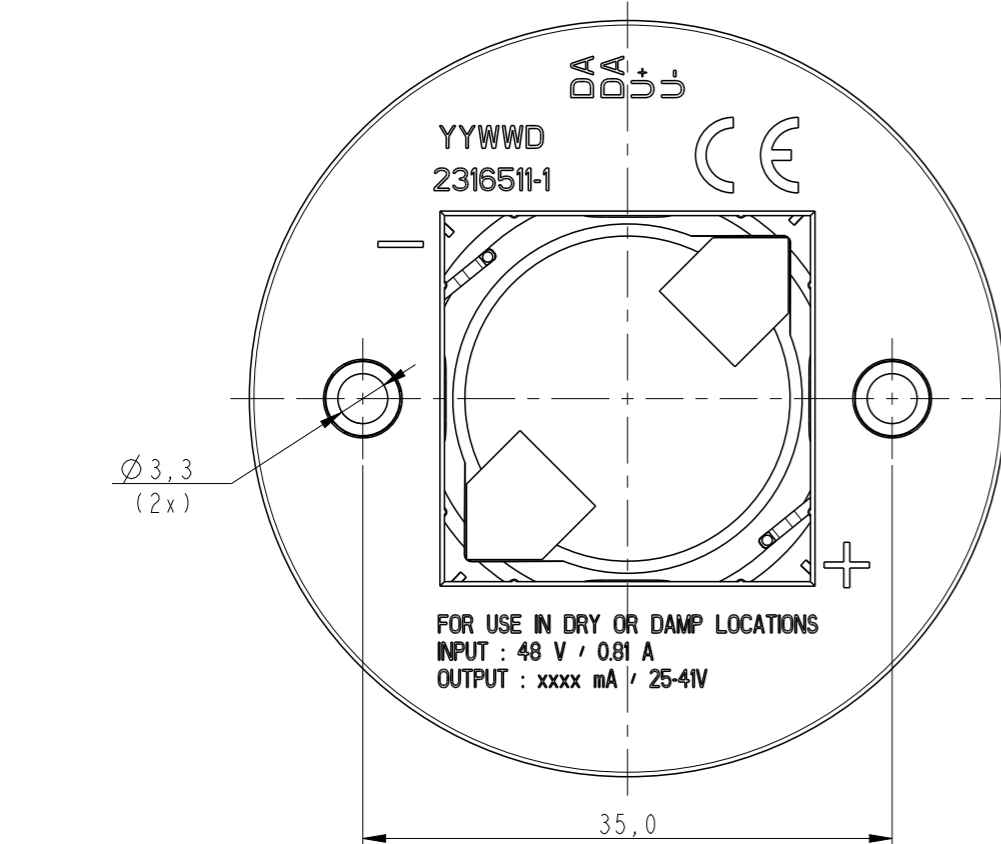
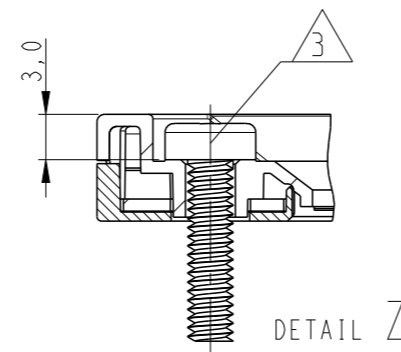
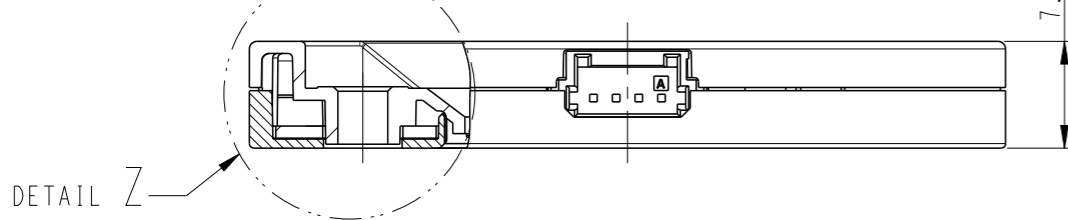
P	LTR	DESCRIPTION	DATE	DWN	APVD
B		REVISED PER ECR-19-014834	23SEP2019	RS	MG

NOTES:

- MATERIALS:  
 HOUSING: GLASS FILLED PBT, HALOGEN FREE FLAME RETARDANT  
 COLOR : NATURAL  
 CONTACTS: GOLD PLATED COPPER ALLOY
- PRODUCT COMPLIES WITH RESTRICTION ON HAZARDOUS SUBSTANCES DIRECTIVE 2011/65/EU
- SCREW TO BE USED - PAN HEAD M3, #4-40, LENGTH 12mm MIN. RECOMMENDED SCREW TORQUE: 0.4 - 0.6 Nm
- LED RETENTION ON 2 CORNERS WITH DOUBLE SIDED ADHESIVE TAPE.
- MATING CONNECTOR TE PART NO: 353908-4 OR 2-353908-4 OR 6-353908-4
- DIMENSIONS SHOWN ARE IN MATED POSITION WITH LED
- SEE SHEET 3 FOR RECOMMENDED PIN LAYOUT & ADDITIONAL INFORMATION
- ELECTRICAL RATINGS:  
 - USE WITH A 48V DC CONSTANT VOLTAGE CLASS 2 POWER SUPPLY, ±10% TOLERANCE  
 - LED FORWARD VOLTAGE HAVE THE FOLLOWING RANGE: 25 - 41VDC.



SECTION A-A



PRODUCT DATA SHEET 1-1773935-6 FOR ADDITIONAL INFORMATION

CURRENT (mA)	LED TYPE	DESCRIPTION	WEIGHT (g)	GTIN NO	PART NO
1050	16x19	DALI, 1.05A, 16x19	9.48	9421027422254	3-2316511-4
	19x19	DALI, 1.05A, 19x19	9.38	9421027422247	3-2316511-3
	20x24	DALI, 1.05A, 20x24	9.33	9421027422230	3-2316511-2
	24x24	DALI, 1.05A, 24x24	9.09	9421027422223	3-2316511-1
700	16x19	DALI, 0.7A, 16x19	9.48	9421027422216	2-2316511-4
	19x19	DALI, 0.7A, 19x19	9.38	9421027422209	2-2316511-3
	20x24	DALI, 0.7A, 20x24	9.33	9421027422193	2-2316511-2
	24x24	DALI, 0.7A, 24x24	9.09	9421027422186	2-2316511-1
500	16x19	DALI, 0.5A, 16x19	9.48	9421027422179	1-2316511-4
	19x19	DALI, 0.5A, 19x19	9.38	9421027422162	1-2316511-3
	20x24	DALI, 0.5A, 20x24	9.33	9421027422155	1-2316511-2
	24x24	DALI, 0.5A, 24x24	9.09	9421027422148	1-2316511-1
350	16x19	DALI, 0.35A, 16x19	9.48	9421027422131	2316511-4
	19x19	DALI, 0.35A, 19x19	9.38	9421027422124	2316511-3
	20x24	DALI, 0.35A, 20x24	9.33	9421027422117	2316511-2
	24x24	DALI, 0.35A, 24x24	9.09	9421027422100	2316511-1

THIS DRAWING IS A CONTROLLED DOCUMENT.

DIMENSIONS:	TOLERANCES UNLESS OTHERWISE SPECIFIED:
mm	
	0 PLC ±-
	1 PLC ±0.2
	2 PLC ±0.1
	3 PLC ±-
	4 PLC ±-
	ANGLES ±-
	FINISH ±-
MATERIAL	
SEE NOTES	

DWN	22NOV2017
SUBHASH.M	
CHK	22NOV2017
MARCO.Z	
APVD	15DEC2017
O.I.FI.JNSE	
PRODUCT SPEC	108-133109
APPLICATION SPEC	114-133109
WEIGHT	SEE TABLE
CUSTOMER DRAWING	

**STE** TE Connectivity

NAME: LUMAWISE DRIVE TYPE Z50, DALI VERSION

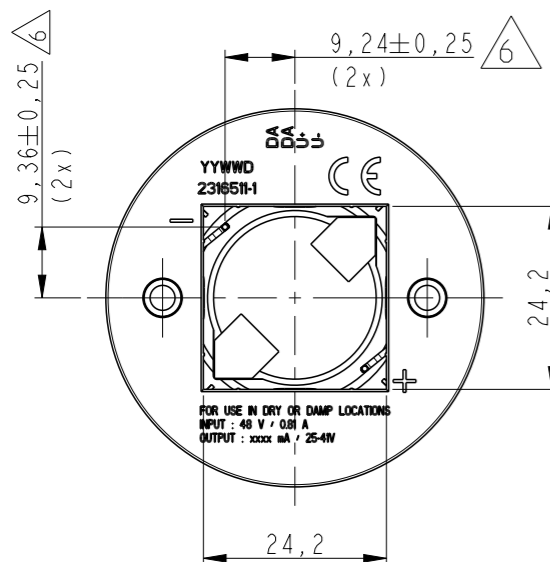
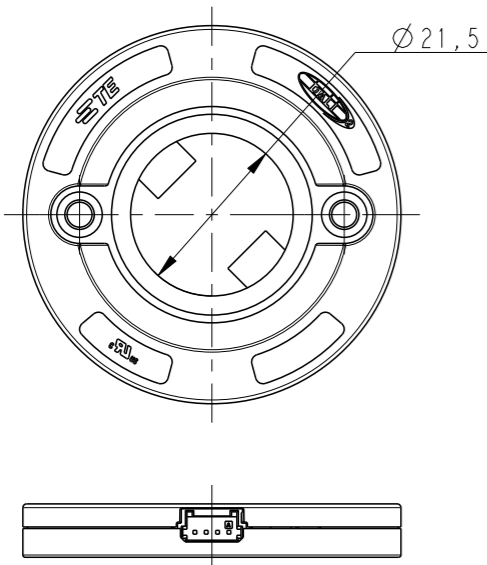
SIZE	CAGE CODE	DRAWING NO	RESTRICTED TO
A3	00779	C-2316511	-

SCALE: 2:1 SHEET: 1 OF 4 REV: B

REVISIONS

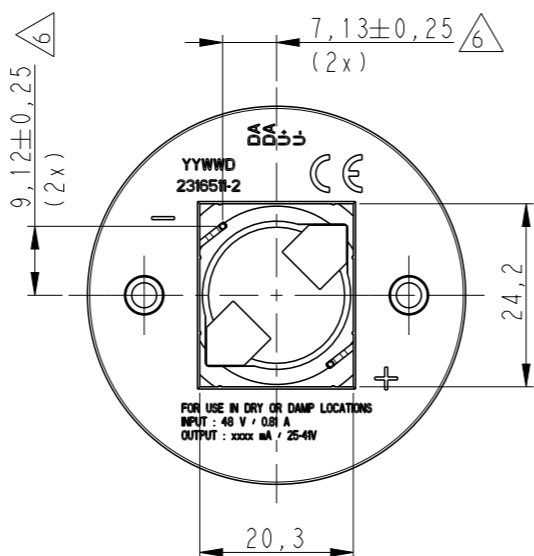
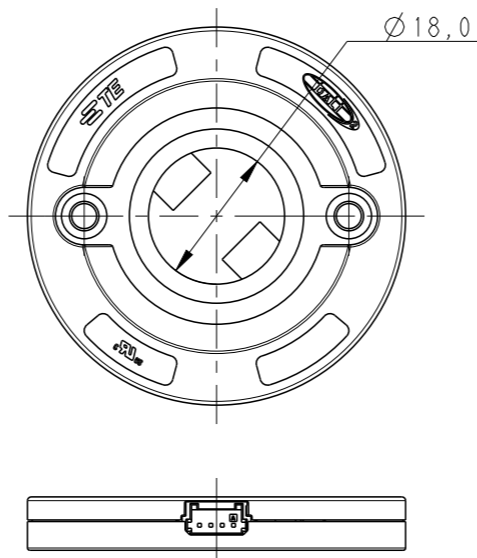
P	LTR	DESCRIPTION	DATE	DWN	APVD
-	-	SEE SHEET 1	-	-	-

AS SHOWN 2316511-1  
SCALE 1:1



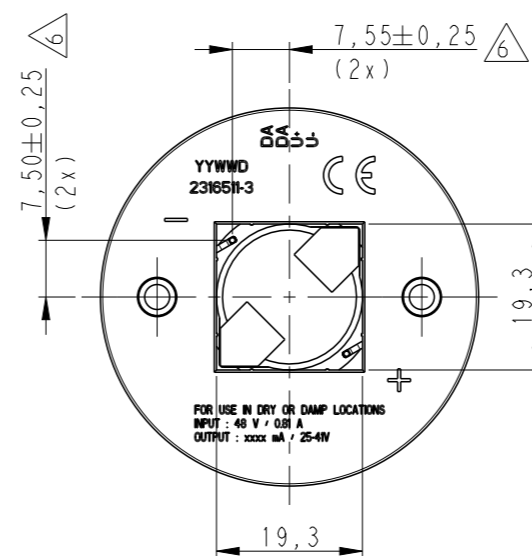
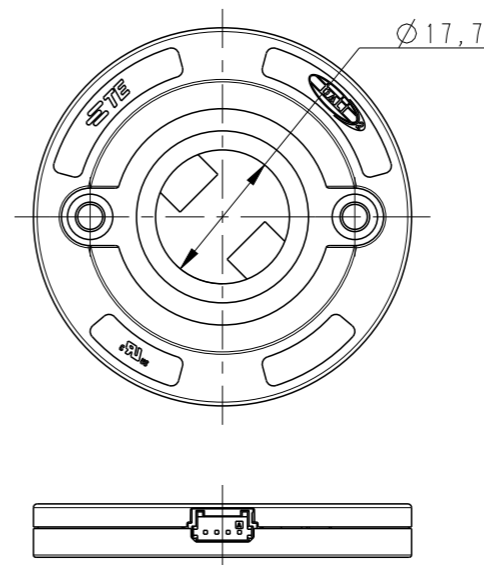
FOR USE IN DRY OR DAMP LOCATIONS  
INPUT : 48 V / 0.81 A  
OUTPUT : xxxxx mA / 25-4W

AS SHOWN 2316511-2  
SCALE 1:1



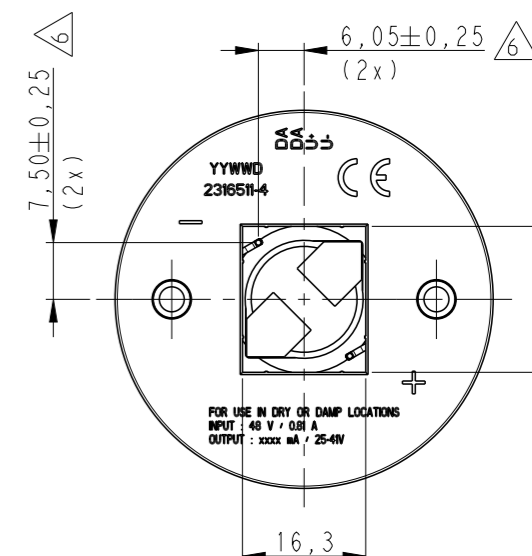
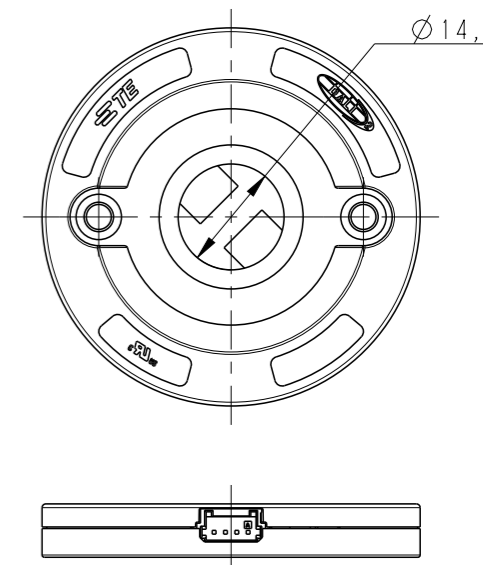
FOR USE IN DRY OR DAMP LOCATIONS  
INPUT : 48 V / 0.81 A  
OUTPUT : xxxxx mA / 25-4W

AS SHOWN 2316511-3  
SCALE 1:1



FOR USE IN DRY OR DAMP LOCATIONS  
INPUT : 48 V / 0.81 A  
OUTPUT : xxxxx mA / 25-4W

AS SHOWN 2316511-4  
SCALE 1:1



FOR USE IN DRY OR DAMP LOCATIONS  
INPUT : 48 V / 0.81 A  
OUTPUT : xxxxx mA / 25-4W

THIS DRAWING IS A CONTROLLED DOCUMENT.

DWN SUBHASH.M 22NOV2017

CHK MARCO.Z 22NOV2017

APVD O.LFIJNSE 15DEC2017

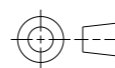
PRODUCT SPEC 108-133109

APPLICATION SPEC 114-133109

WEIGHT SEE TABLE

CUSTOMER DRAWING

DIMENSIONS:  
mm



TOLERANCES UNLESS OTHERWISE SPECIFIED:

- 0 PLC ±-
- 1 PLC ±0.2
- 2 PLC ±0.1
- 3 PLC ±-
- 4 PLC ±-
- ANGLES ±-
- FINISH -

MATERIAL  
SEE NOTES



TE Connectivity

NAME  
LUMAWISE DRIVE TYPE Z50,  
DALI VERSION

SIZE CAGE CODE DRAWING NO RESTRICTED TO

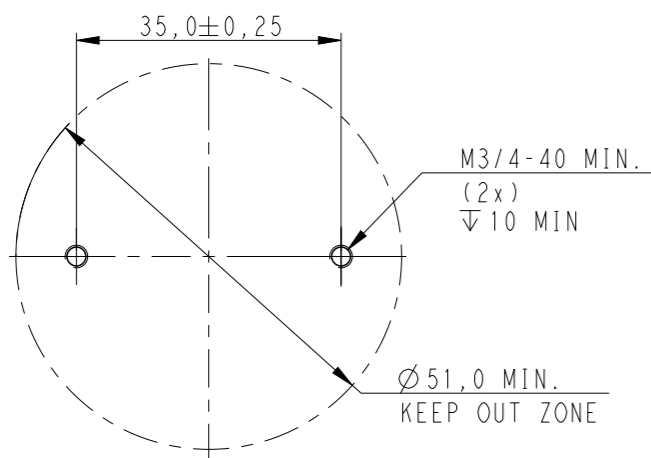
A3 00779 C-2316511

SCALE 2:1 SHEET 2 OF 4 REV B

REVISIONS

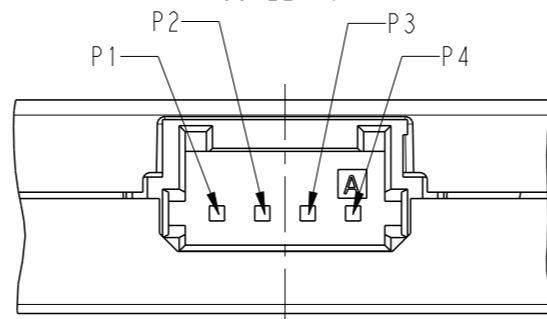
P	LTR	DESCRIPTION	DATE	DWN	APVD
-		SEE SHEET 1	-	-	-

RECOMMENDED DRILLING HOLE PATTERN



PIN LAYOUT

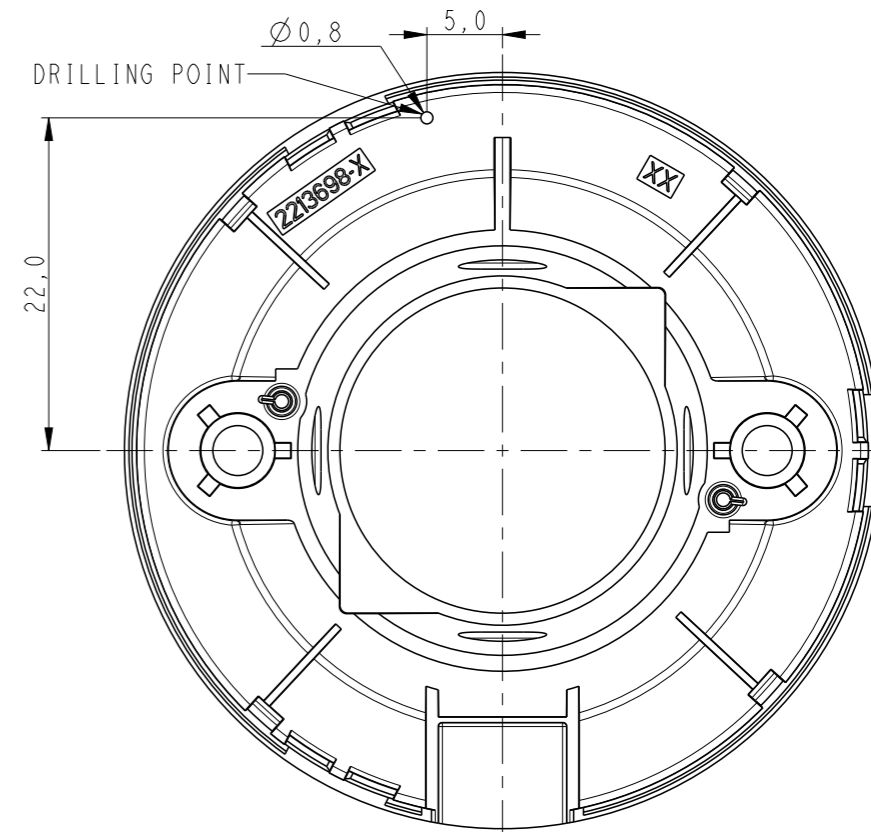
SCALE 4:1



P1	DALI (+)	DA
P2	DALI (-)	DA
P3	48VIN (+)	U+
P4	48VIN (-) GND	U-

DRILLING LOCATION FOR Tc TESTING

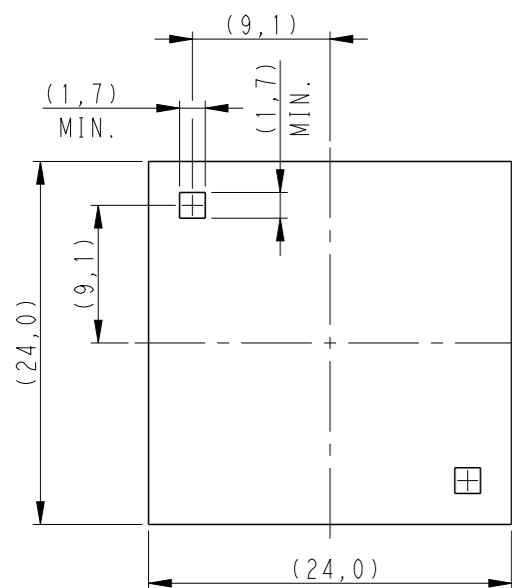
ONLY TOP COVER SHOWN



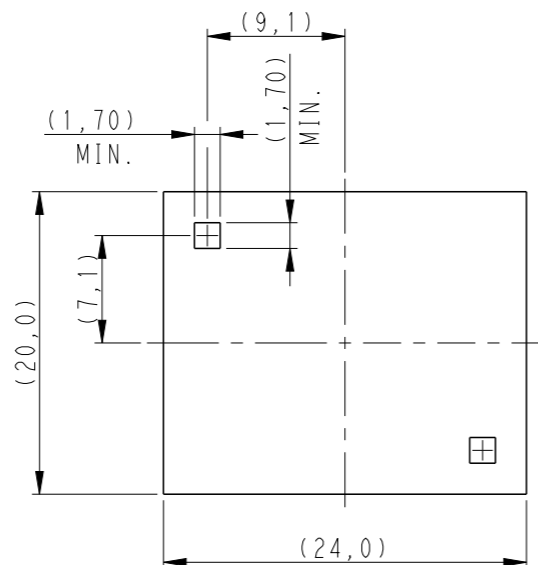
NOMINAL LED INFO:

THE SKETCH BELOW IS SHOWING THE ZHAGA BOOK 12 COB DIMENSIONS TO MATCH WITH THE LUMAWISE DRIVE TYPE Z50 LED HOLDER

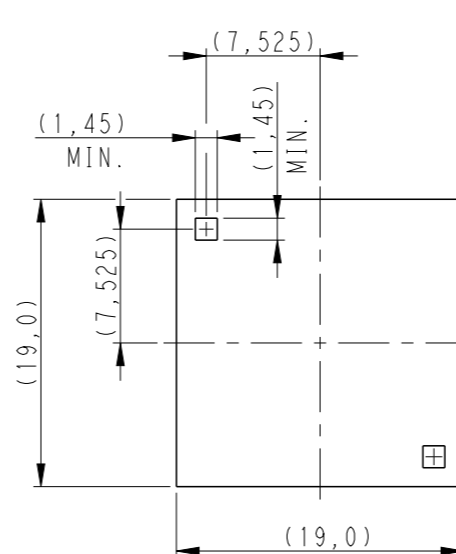
24x24 LAYOUT



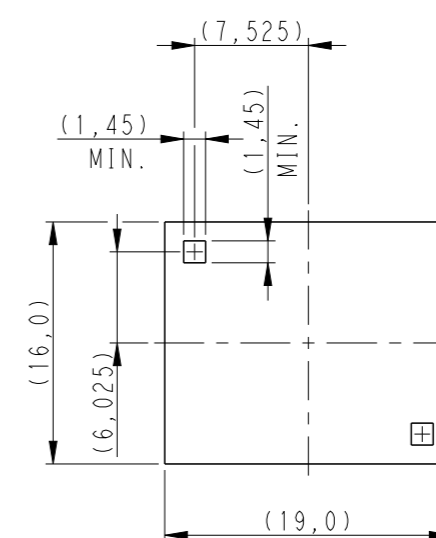
20x24 LAYOUT



19x19 LAYOUT



16x19 LAYOUT



THIS DRAWING IS A CONTROLLED DOCUMENT.

DWN SUBHASH.M 22NOV2017

CHK MARCO.Z 22NOV2017

APVD O.IEIJNSE 15DEC2017

PRODUCT SPEC 108-133109

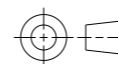
APPLICATION SPEC 114-133109

WEIGHT SEE TABLE

CUSTOMER DRAWING

DIMENSIONS:

mm



TOLERANCES UNLESS OTHERWISE SPECIFIED:

0 PLC	±-
1 PLC	±0.2
2 PLC	±0.1
3 PLC	±-
4 PLC	±-
ANGLES	±-
FINISH	-

MATERIAL SEE NOTES



TE Connectivity

NAME LUMAWISE DRIVE TYPE Z50, DALI VERSION

SIZE A3 CAGE CODE 00779 DRAWING NO. C-2316511 RESTRICTED TO -


SCALE 2:1 SHEET 3 OF 4 REV B

THIS DRAWING IS UNPUBLISHED. RELEASED FOR PUBLICATION 2017  
 © COPYRIGHT 2017 BY - ALL RIGHTS RESERVED.

REVISIONS				
P	LTR	DESCRIPTION	DATE	APVD
-		SEE SHEET 1	-	-

L2C5-xxxx1202E0900; L2C5-xxxx1203E0900 1202s; 120206xCx; 1202CRSP; 1203CRSP	LUMILEDS	16x19
NVCWL024Z; NFCWL060B-V1; NFCLL060B-V1; NFCWL036B-V1M3	NICHIA	
LC040C	SAMSUNG	
BXRH-40E8000-J-23; BXRE-xxxxxxx-x-7x	BRIDGELUX	19x19
PB16H; PB16U; PB19H; PB19U; PB26U; PB26H	LEXTAR	
CLU038-1208C4; CLU721-1206C4; CLU710-1204C1; CLU711-1204C1; CLU034-1205C4; CLU036-1205C1; CLU032-1205A5-303M1A2; CLU720-1206C1; CLL030-1212A1-50KL1A1	CITIZEN	
2PHE20CW27P34001/2PHE30CW27P34001 2PHE20CW38P34001/2PHE30CW38P34002 HM CRI80 Series; HM CRI90 Series SL Series	EDISON OPTO	
EA1919 36V/26W Series	EVERLIGHT	
CHM-11/CXM11; CXM14/CHM14; CLM-14 Gen 3; CXM-11-XH00	LUMINUS	
Soleriq 13 Gen 2 Soleriq 15	OSRAM	
DMS124***G; DMC124/125***F; DMS125/126/128***G; DMC128***F; DMS099***F	PANASONIC	
SDW02F1C; SDWx3F1C	SEOUL	
SLE-G5-LES15 SLE-G5-LES17	TRIDONIC	
LC016/19/26D; LC019D; LC026D	SAMSUNG	20x24
LHC1-3070-1205; L2C5-xxxx-1204 LHC1-xxxx1204; 1204CRSP; 1205CRSP; 1208CRSP; 1204; 1205; 1208	LUMILEDS	
EAHP2024	EVERLIGHT	
GW6TGBJC50C; GW5DGC**M04	SHARP	
BXRE-xxxxxxx-x-7x	BRIDGELUX	24x24
Soleriq S19 GW KAHLB2.CM	OSRAM	
<b>LED DESCRIPTION</b>	<b>MANUFACTURE NAME</b>	<b>LED TYPE</b>

**LEDs COMPATIBILITY**

THIS DRAWING IS A CONTROLLED DOCUMENT.		DWN 22NOV2017 SUBHASH.M	 TE Connectivity			
DIMENSIONS: mm		CHK 22NOV2017 MARCO.Z				
TOLERANCES UNLESS OTHERWISE SPECIFIED:		APVD 15DEC2017 O.IEIJNSE	NAME LUMAWISE DRIVE TYPE Z50, DALI VERSION			
0 PLC ±- 1 PLC ±0.2 2 PLC ±0.1 3 PLC ±- 4 PLC ±- ANGLES ±-		PRODUCT SPEC 108-133109	SIZE	CAGE CODE	DRAWING NO	RESTRICTED TO
MATERIAL FINISH		APPLICATION SPEC 114-133109	A3	00779	©-2316511	-
SEE NOTES		WEIGHT SEE TABLE	SCALE 5:1		SHEET 4 OF 4	REV B
		CUSTOMER DRAWING				

## X-ON Electronics

Largest Supplier of Electrical and Electronic Components

*Click to view similar products for [LED Lighting Mounting Accessories](#) category:*

*Click to view products by [TE Connectivity](#) manufacturer:*

Other Similar products are found below :

[C16142\\_HEKLA-SOCKET-K](#) [3SU1401-1BG20-1AA0](#) [3SU1900-0BC31-0NB0](#) [ES16-RT](#) [1SFA616921R2042](#) [1SFA616921R2131](#)  
[1SFA616921R2133](#) [1SFA616921R2143](#) [1SFA611621R1093](#) [B8910020](#) [D3980022](#) [E3990022](#) [E3990040](#) [CABI12 E BK 1M SET PRM](#)  
[FLAT8 H/U BK 1M SET PRM](#) [BEGTIN12 J/S BK 1M SET PRM](#) [1-2213678-6](#) [C16791\\_CLAMP-Z45-A](#) [F17250\\_SOLDER-CLIP-A](#) [CM22-](#)  
[4-20MA](#) [CM22-R10K-MT](#) [CM22-R1K](#) [CM22-R50K](#) [CM22-R5K-MT](#) [CM22-SLR](#) [10465](#) [M22-A](#) [M22-CK11](#) [M22-CK20](#) [M22G-XGPV](#)  
[M22-K01](#) [M22-LCH-W](#) [M22-LC-R](#) [M22-LED230-R](#) [M22-LED230-W](#) [M22-LEDC230-G](#) [M22-LEDC-G](#) [M22-LEDC-W](#) [M22-LED-G](#)  
[M22-LED-W](#) [M22-L-G](#) [M22-LH-G](#) [M22-LH-R](#) [M22-LH-W](#) [M22-L-R](#) [M22-L-W](#) [M22-L-X](#) [M22-R10K](#) [M22-R1K](#) [M22-R470K](#)