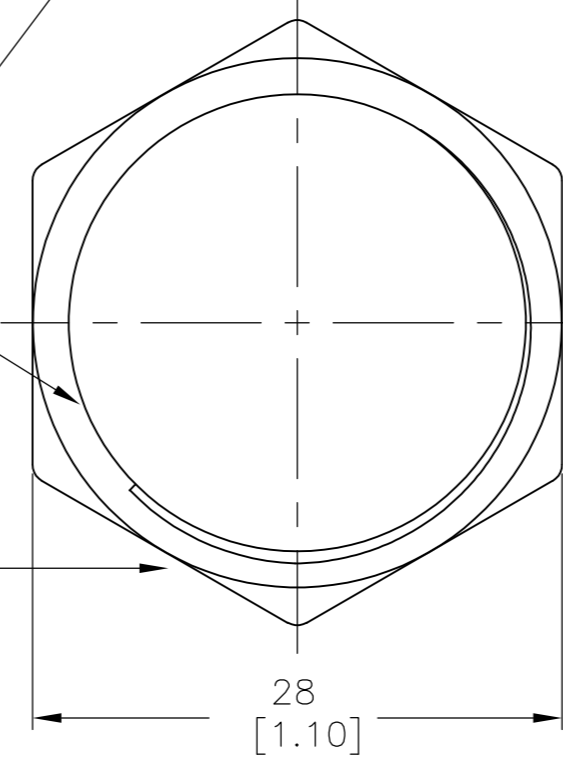
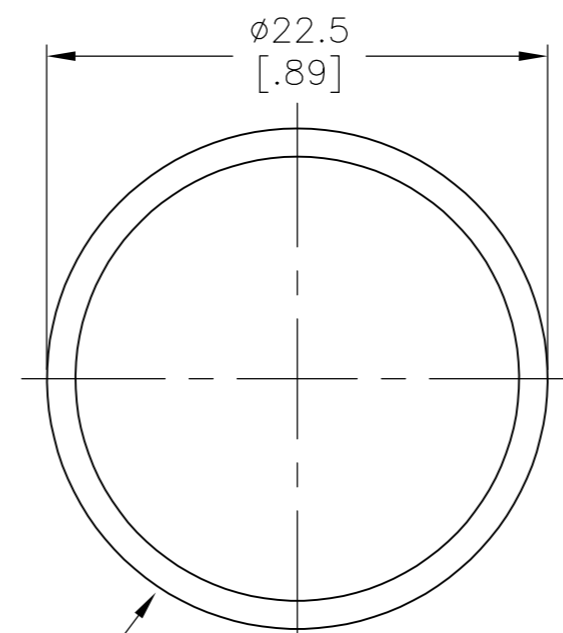
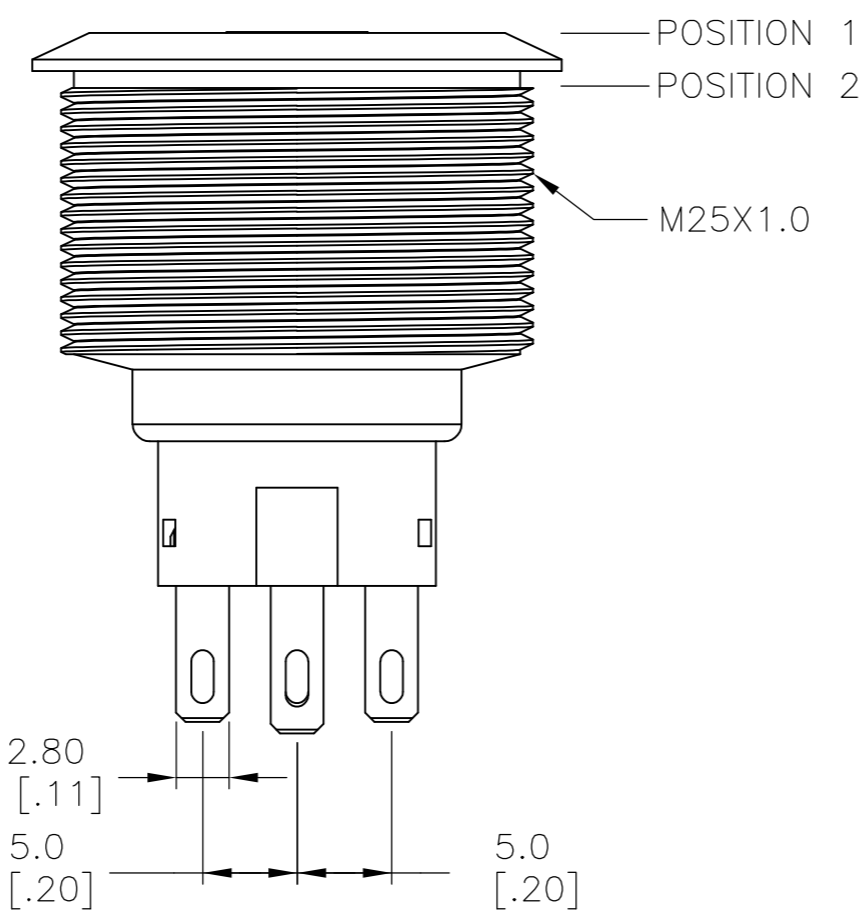
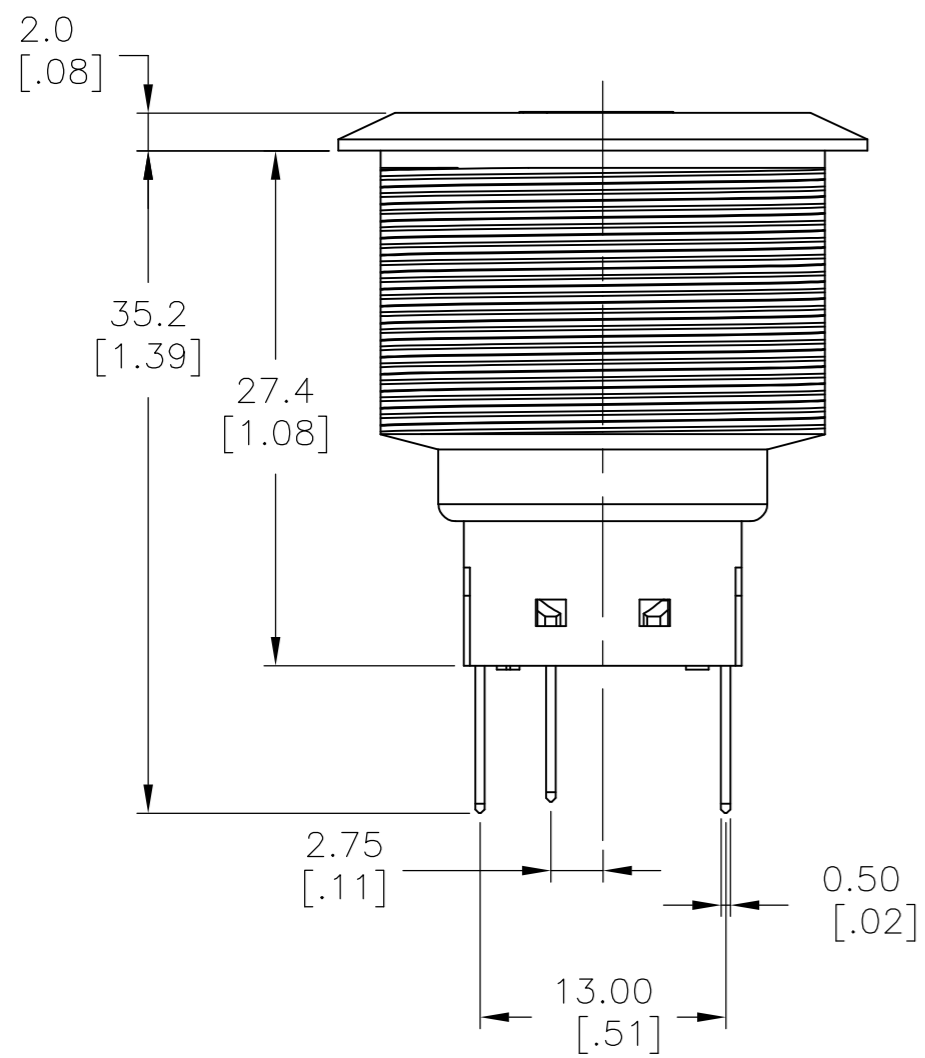
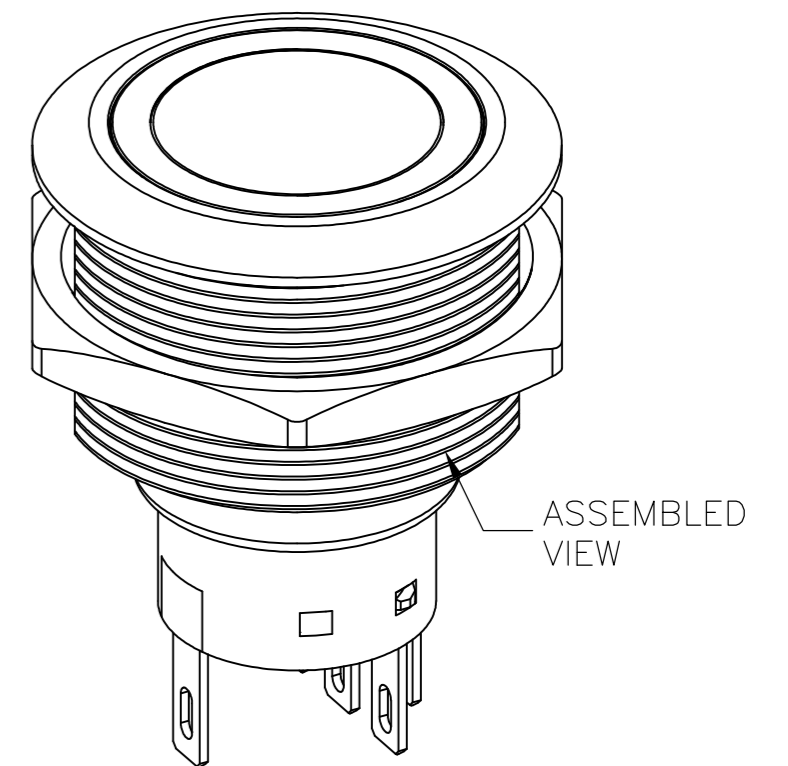
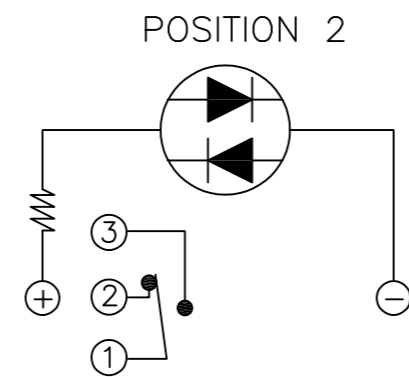
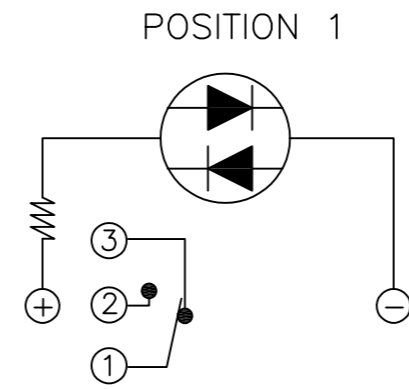
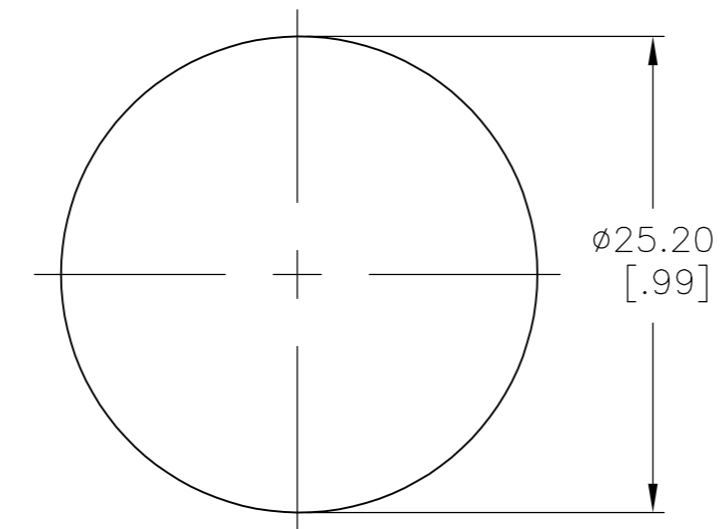
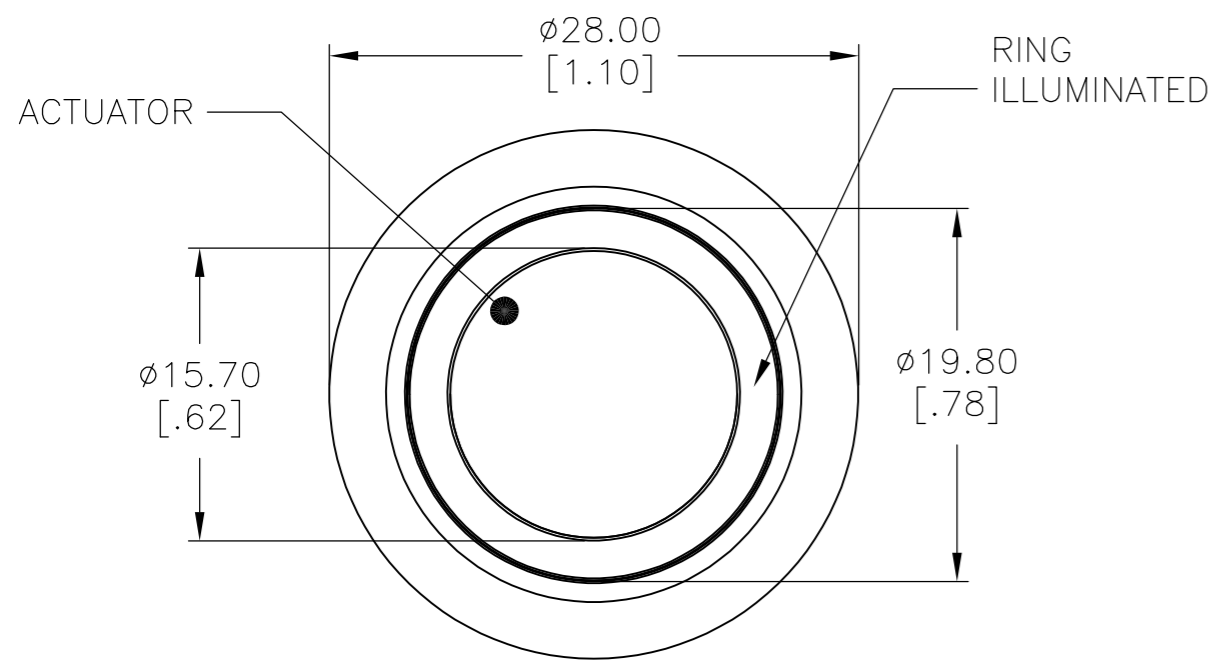


THIS DRAWING IS UNPUBLISHED. RELEASED FOR PUBLICATION
 © COPYRIGHT - By - ALL RIGHTS RESERVED.

REVISIONS					
P	LTR	DESCRIPTION	DATE	DWN	APVD
A		INITIAL RELEASE	15MAR2017	SK	SS

SINGLE POLE SWITCH

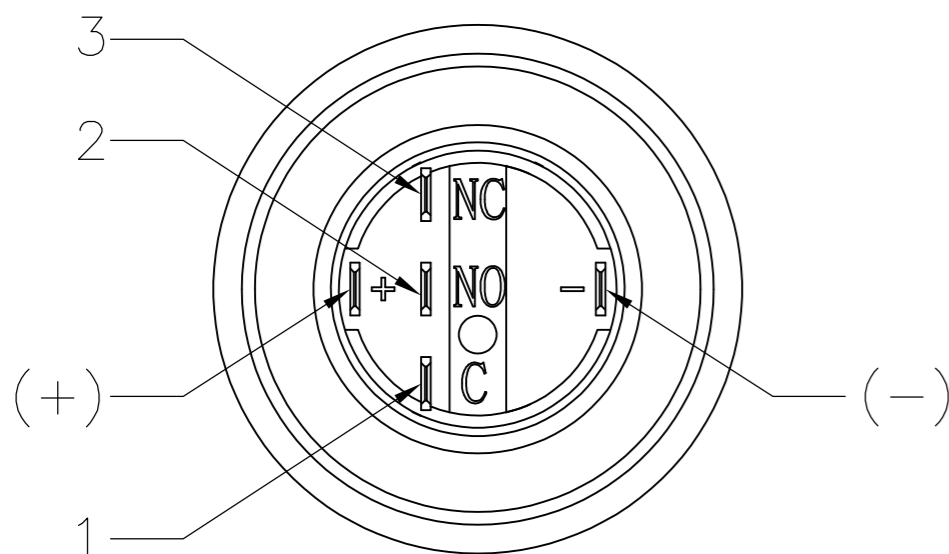


SPECIFICATION:
 CONTACT RATING: SILVER; 3A @ 250VAC RESISTIVE
 GOLD; 0.4A @ 20VDC OR PEAK AC
 INSULATION RESISTANCE: 1,000MΩ MIN AT 500VDC
 DIELECTRIC STRENGTH: 2,000V RMS @ SEA LEVEL
 CONTACT RESISTANCE: 50mΩ MAX @ 1A 12VDC (INITIAL VALUE),
 SOLDER TERMINALS
 100mΩ MAX @ 1A 12VDC (INITIAL VALUES),
 FLYING LEADS.
 ELECTRICAL LIFE CYCLES: 50,000 MAKE AND BREAK CYCLES
 AT FULL LOAD.
 ACTUATION FORCE: SP: 2.5±1 NEWTON. DP: 3.5±1 NEWTON
 ACTUATION TRAVEL: 3.2MM
 SEALED PER IP67, IK08 (STAINLESS)
 OPERATING TEMPERATURE: -20°C TO +55°C
 MECHANICAL LIFECYCLES: MOMENTARY; 1,000,000 CYCLES
 LOCKING; 500,000 CYCLES
 HARDWARE TORQUE: 5-14 N-m.

MATERIALS

BUSHING: STAINLESS STEEL,
 BASE: PBT (UL 94-V0), PC (UL 94-V2),
 ACTUATOR: STAINLESS STEEL, PC
 SEALING: O-RING (SILICONE),
 TERMINAL/CONTACT: COPPER BASE, SILVER/GOLD PLATED,
 HEX NUT: BRASS BASE, NICKEL PLATED.

1. ALL MATERIAL AND FINISHES SHALL COMPLY WITH EU DIRECTIVE 2002/95/EC OF 27JAN2003(ROHS).



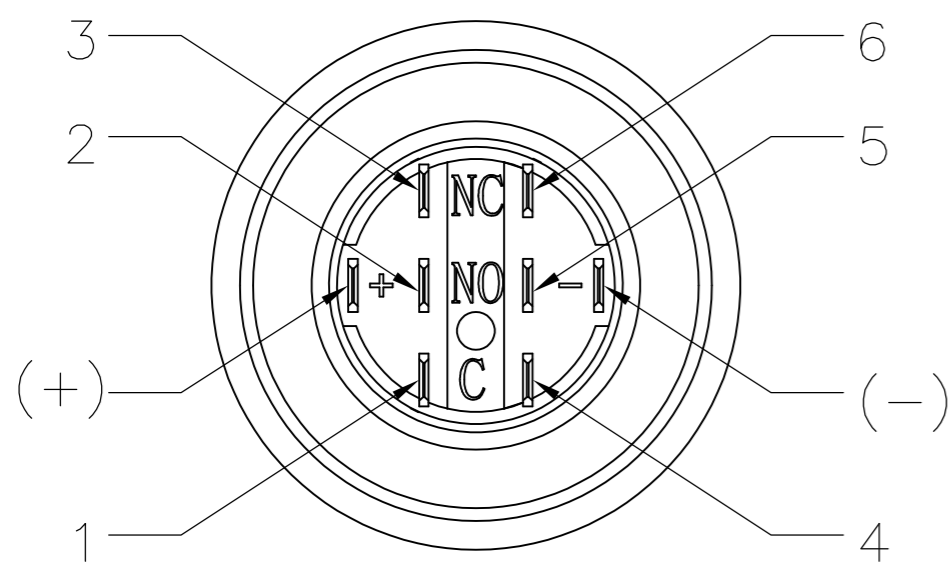
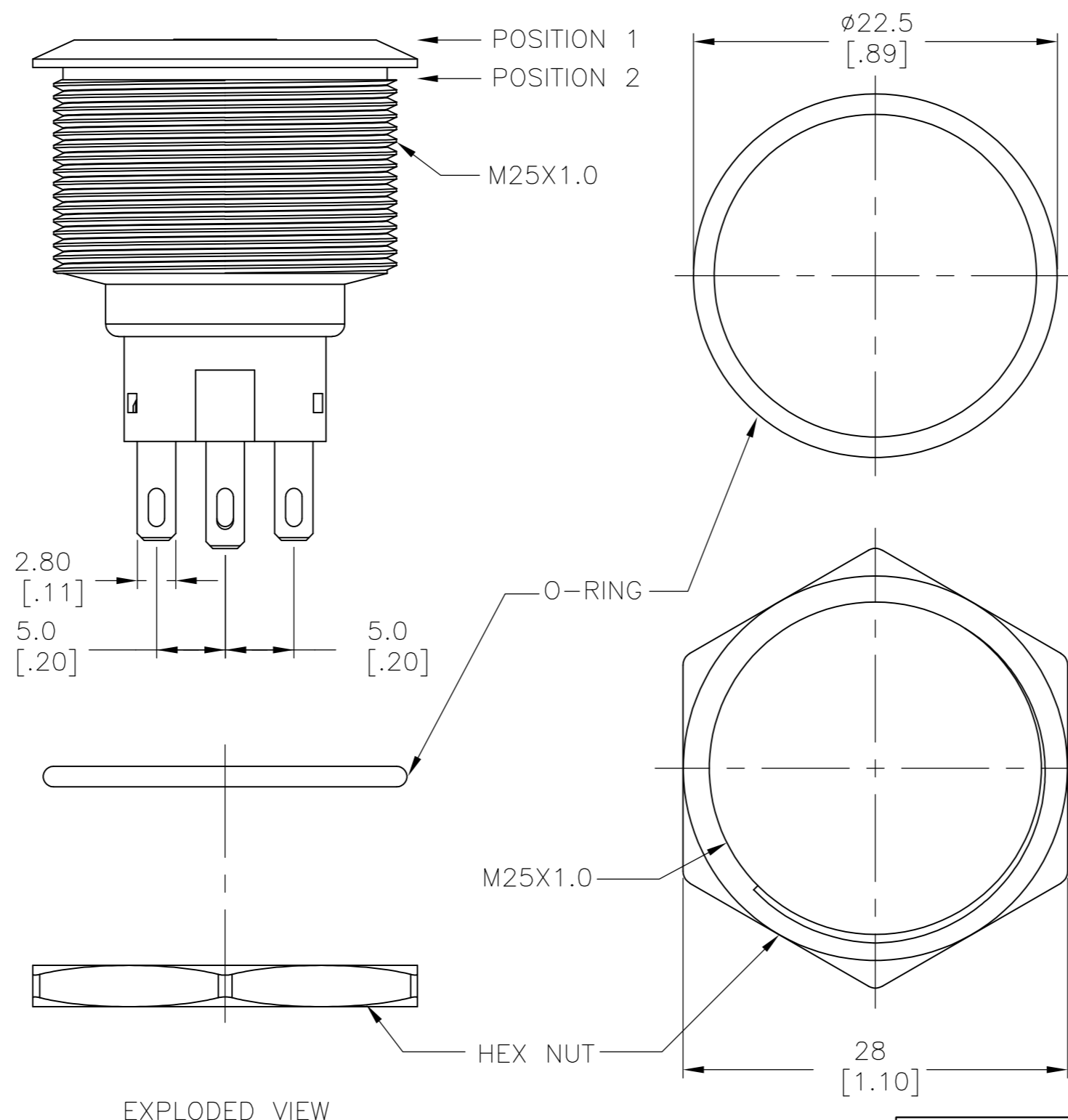
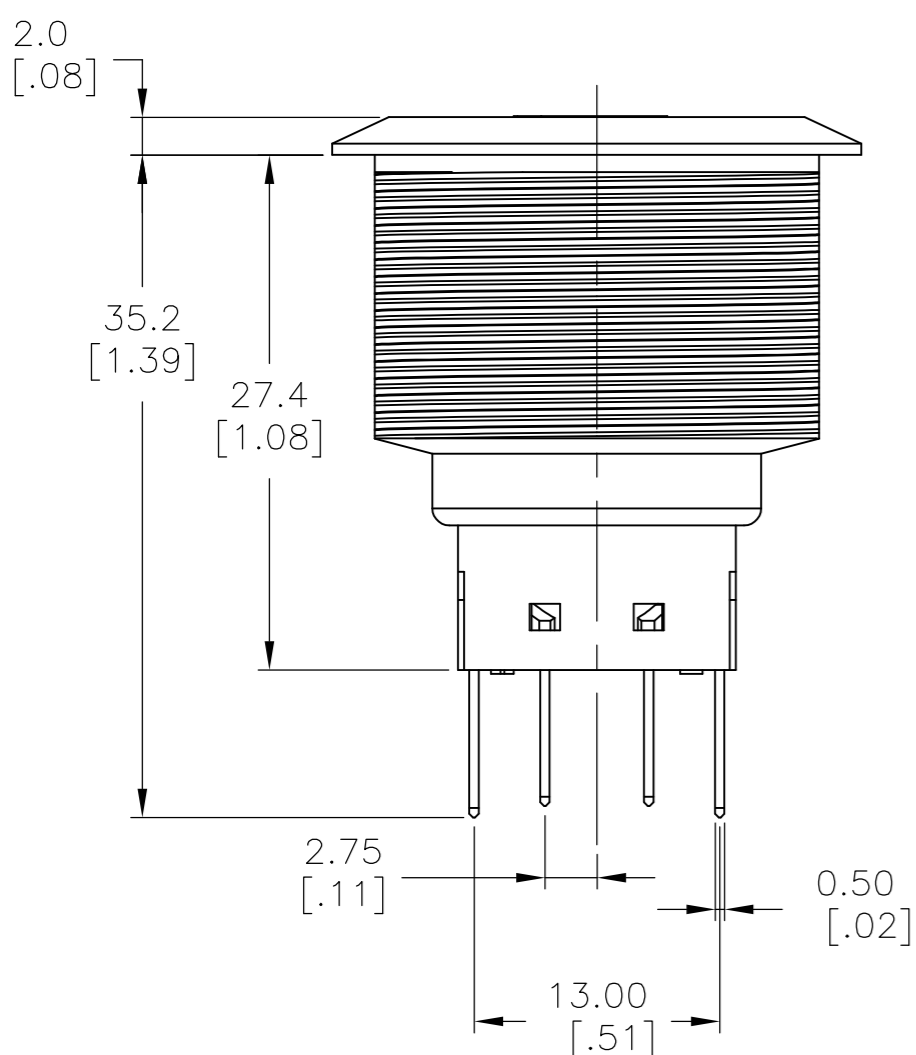
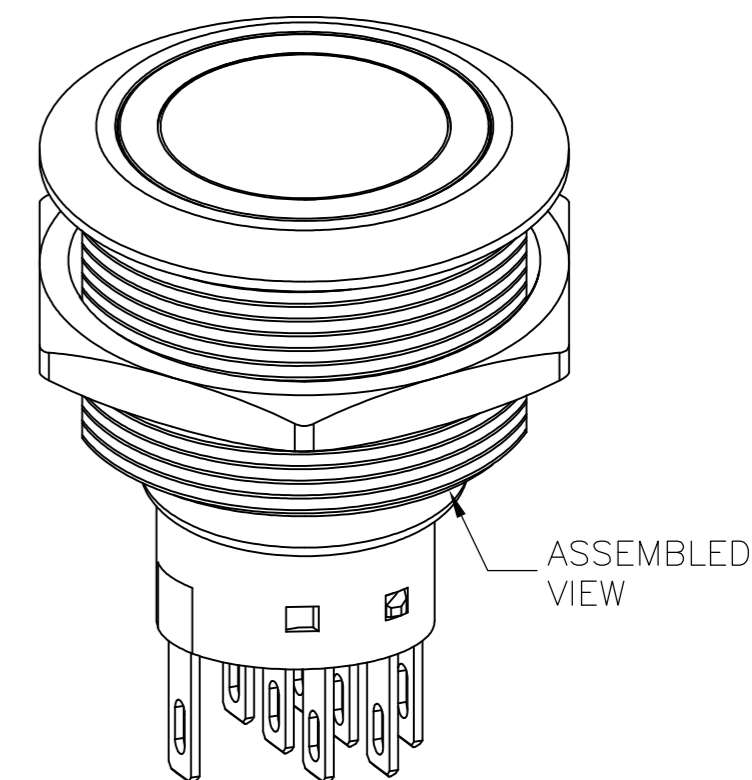
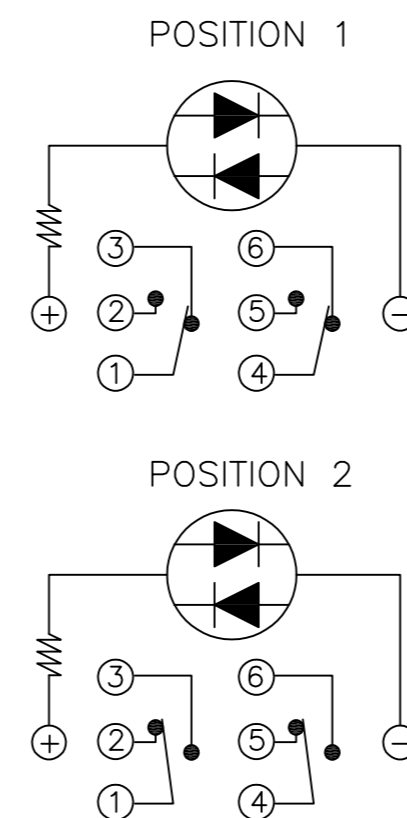
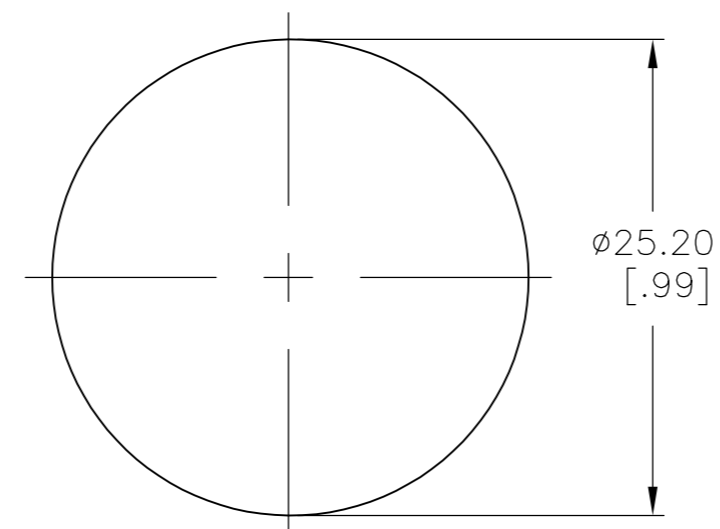
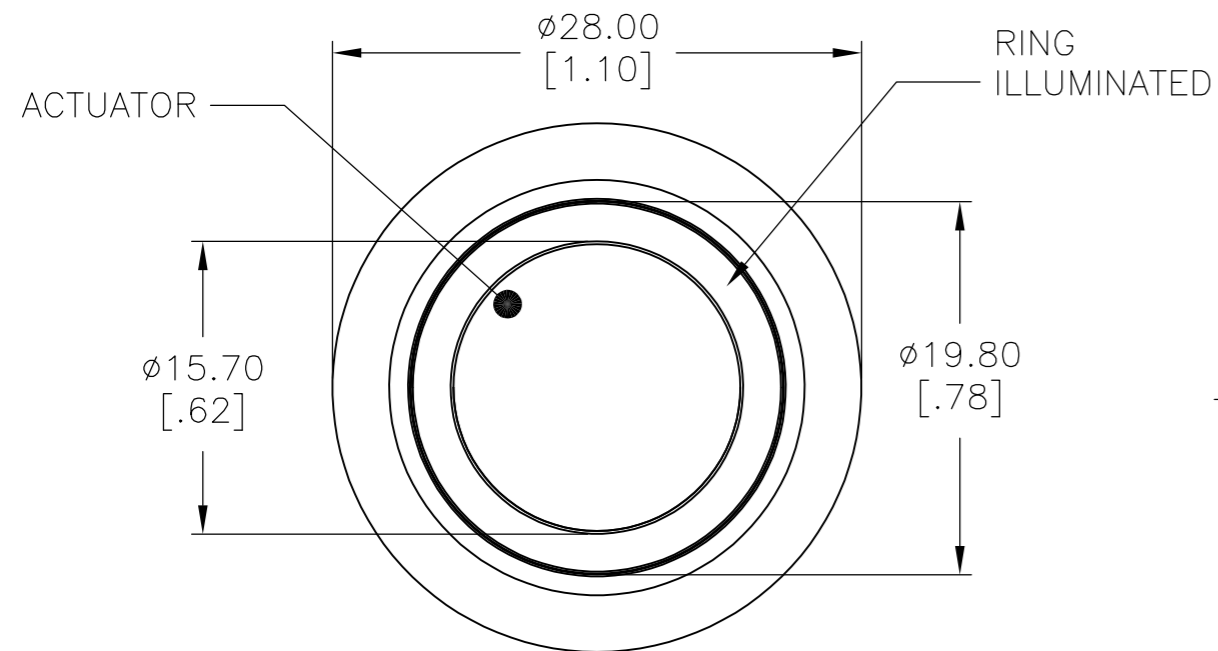
EXPLODED VIEW

THIS DRAWING IS A CONTROLLED DOCUMENT.		DWN 15MAR2017 SHIVAKUMAR S S		
DIMENSIONS: mm [INCHES]		CHK 15MAR2017 SANJAY SHINDIKAR		
TOLERANCES UNLESS OTHERWISE SPECIFIED:		APVD 15MAR2017 SANJAY SHINDIKAR	NAME	
0 PLC ± -	1 PLC ± 0.4[.016]	PRODUCT SPEC	ANTI-VANDAL SWITCH 25mm, MOVING RING LED	
2 PLC ± 0.25[.010]	3 PLC ± -	APPLICATION SPEC	SIZE	CAGE CODE
4 PLC ± -	ANGLES ± 2°	WEIGHT 0	A2	00779
MATERIAL -	FINISH -	CUSTOMER DRAWING	DRAWING NO	RESTRICTED TO
			C=2317656	-
			SCALE 1:1	SHEET 1 OF 3
			REV A	

THIS DRAWING IS UNPUBLISHED. RELEASED FOR PUBLICATION
 © COPYRIGHT - By - ALL RIGHTS RESERVED.

DOUBLE POLE SWITCH

REVISIONS					
P	LTR	DESCRIPTION	DATE	DWN	APVD
-	-	SEE SHEET 1	-	-	-




THIS DRAWING IS A CONTROLLED DOCUMENT.		DWN 15MAR2017 SHIVAKUMAR S S				
DIMENSIONS: mm [INCHES]		CHK 15MAR2017 SANJAY SHINDIKAR				
TOLERANCES UNLESS OTHERWISE SPECIFIED:		APVD 15MAR2017 SANJAY SHINDIKAR	NAME ANTI-VANDAL SWITCH 25mm, MOVING RING LED			
0 PLC ± -		PRODUCT SPEC	SIZE	CAGE CODE	DRAWING NO	RESTRICTED TO
1 PLC ± 0.4[.016]		APPLICATION SPEC	A2	00779	C=2317656	-
2 PLC ± 0.25[.010]		WEIGHT	0	SCALE	1:1	SHEET
3 PLC ± -		MATERIAL	-	1:1	2	OF 3
4 PLC ± -		FINISH	-	SCALE	1:1	SHEET
ANGLES ± 2°		CUSTOMER DRAWING	-	1:1	2	OF 3
FINISH		REV	A			

THIS DRAWING IS UNPUBLISHED. RELEASED FOR PUBLICATION
 © COPYRIGHT - By - ALL RIGHTS RESERVED.

REVISIONS					
P	LTR	DESCRIPTION	DATE	DWN	APVD
-	-	SEE SHEET 1	-	-	-

CONTACT FINISH	LIGHT TYPE	TERMINAL OPTION	POLE/THROW	LED COLOR	LED VOLTAGE	TE DESCRIPTIVE PART NUMBER	TE PART NUMBER
SILVER	MOVING RING	SOLDER TERMINAL	DOUBLE POLE - LOCKING	BLUE	24	AV2521E724Q04	4-2317656-0
				BLUE	12	AV2521E712Q04	3-2317656-9
				GREEN	24	AV2521E624Q04	3-2317656-8
				GREEN	12	AV2521E612Q04	3-2317656-7
				YELLOW	24	AV2521E524Q04	3-2317656-6
				YELLOW	12	AV2521E512Q04	3-2317656-5
				RED	24	AV2521E324Q04	3-2317656-4
				RED	12	AV2521E312Q04	3-2317656-3
				WHITE	24	AV2521E124Q04	3-2317656-2
				WHITE	12	AV2521E112Q04	3-2317656-1
				BLUE	24	AV2520E724Q04	3-2317656-0
				BLUE	12	AV2520E712Q04	2-2317656-9
			GREEN	24	AV2520E624Q04	2-2317656-8	
			GREEN	12	AV2520E612Q04	2-2317656-7	
			YELLOW	24	AV2520E524Q04	2-2317656-6	
			YELLOW	12	AV2520E512Q04	2-2317656-5	
			RED	24	AV2520E324Q04	2-2317656-4	
			RED	12	AV2520E312Q04	2-2317656-3	
			WHITE	24	AV2520E124Q04	2-2317656-2	
			WHITE	12	AV2520E112Q04	2-2317656-1	
			BLUE	24	AV2511E724Q04	2-2317656-0	
			BLUE	12	AV2511E712Q04	1-2317656-9	
			GREEN	24	AV2511E624Q04	1-2317656-8	
			GREEN	12	AV2511E612Q04	1-2317656-7	
			YELLOW	24	AV2511E524Q04	1-2317656-6	
			YELLOW	12	AV2511E512Q04	1-2317656-5	
			RED	24	AV2511E324Q04	1-2317656-4	
			RED	12	AV2511E312Q04	1-2317656-3	
			WHITE	24	AV2511E124Q04	1-2317656-2	
			WHITE	12	AV2511E112Q04	1-2317656-1	
			BLUE	24	AV2510E724Q04	1-2317656-0	
			BLUE	12	AV2510E712Q04	2317656-9	
			GREEN	24	AV2510E624Q04	2317656-8	
			GREEN	12	AV2510E612Q04	2317656-7	
			YELLOW	24	AV2510E524Q04	2317656-6	
			YELLOW	12	AV2510E512Q04	2317656-5	
RED	24	AV2510E324Q04	2317656-4				
RED	12	AV2510E312Q04	2317656-3				
WHITE	24	AV2510E124Q04	2317656-2				
WHITE	12	AV2510E112Q04	2317656-1				

THIS DRAWING IS A CONTROLLED DOCUMENT.		DWN 15MAR2017 SHIVAKUMAR S S	 TE Connectivity ANTI-VANDAL SWITCH 25mm, MOVING RING LED					
DIMENSIONS: mm [INCHES]		CHK 15MAR2017 SANJAY SHINDIKAR			NAME			
TOLERANCES UNLESS OTHERWISE SPECIFIED:		APVD 15MAR2017 SANJAY SHINDIKAR			PRODUCT SPEC			
0 PLC ± - 1 PLC ± 0.4[.016] 2 PLC ± 0.25[.010] 3 PLC ± - 4 PLC ± - ANGLES ± 2°		APPLICATION SPEC			RESTRICTED TO			
MATERIAL	FINISH	WEIGHT 0	SIZE A2	CAGE CODE 00779	DRAWING NO C-2317656	SCALE 1:1	SHEET 3 OF 3	REV A
CUSTOMER DRAWING								

X-ON Electronics

Largest Supplier of Electrical and Electronic Components

Click to view similar products for [Pushbutton Switches](#) category:

Click to view products by [TE Connectivity](#) manufacturer:

Other Similar products are found below :

[LW1L-M1C10V-A](#) [LW2L-A1C20M-GD](#) [LW2L-M1C20M-A](#) [60324L](#) [M7E-HRN2](#) [67021K512](#) [67081K512X](#) [701PB580](#) [719-5504-000](#)
[MDPSSGLFS](#) [810KSV30B](#) [FLT 2U EE 01A](#) [MML21KA3ABK](#) [MML23KA3AC05K-001](#) [MML23KW3AA01W](#) [8418K2](#) [8646AB6X718UL](#)
[8646ABUL](#) [FSDWH](#) [9001KXRK](#) [9001T8BK](#) [9533CD4+U574+U4922](#) [1203MRA](#) [A22EM01S](#) [A595](#) [12037A2ULCSA](#) [1203A2UL](#)
[ABD122N-B](#) [1211390004](#) [ABN111-Y](#) [ABN400-R](#) [1211500044](#) [1211580012](#) [1212MRA](#) [1232A6NF](#) [1241.1183.7047](#) [1241.2511](#) [1241.3428](#)
[1223A2ULCSA](#) [1223MRA](#) [1232AX2119](#) [1241.1183.8000](#) [1241.1183.8029](#) [1241.2506](#) [1241.2606](#) [12MA6](#) [1301940184](#)
[RELBARF6X10\(PLASTIC\)](#) [13435AG](#) [13440AD2G25X822+U4546](#)