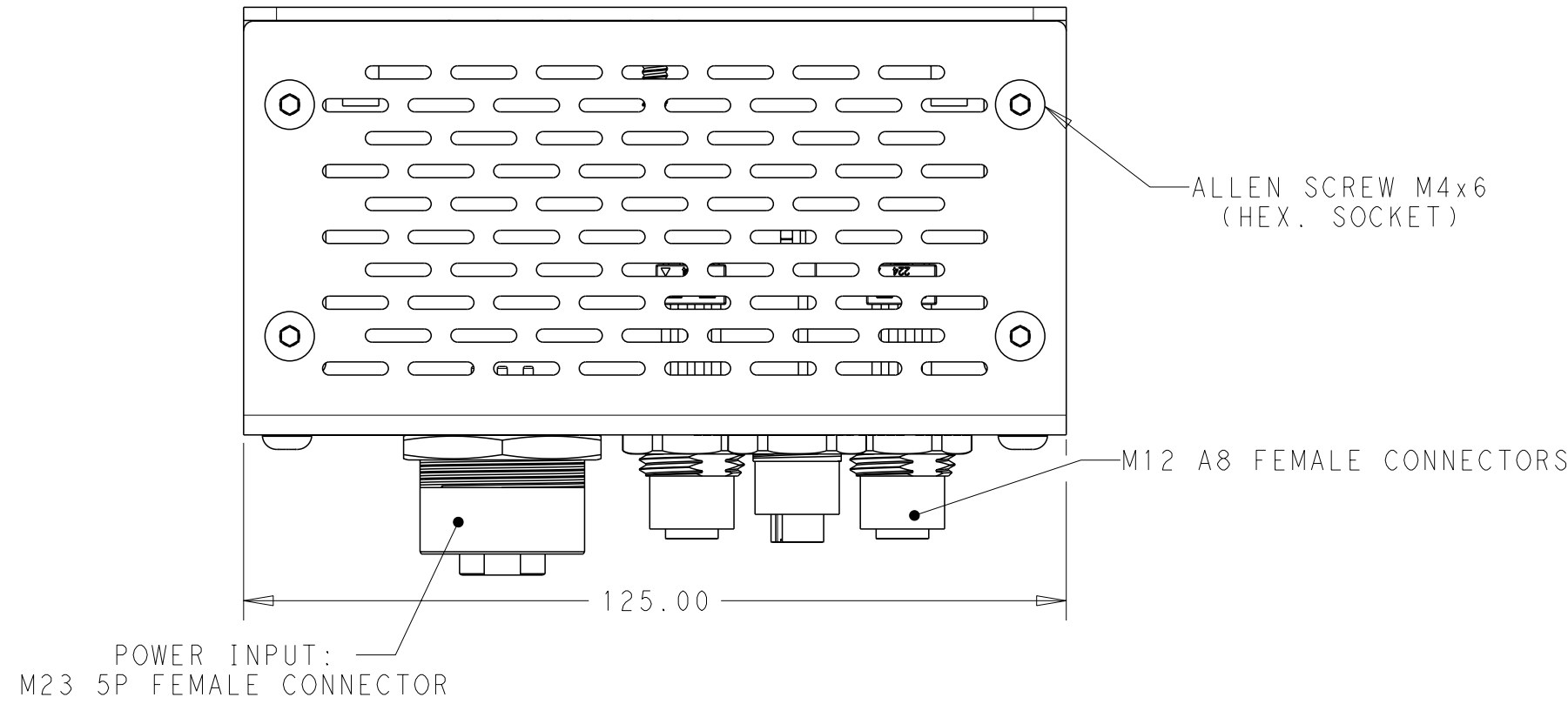


THIS DRAWING IS UNPUBLISHED. RELEASED FOR PUBLICATION 2018
 © COPYRIGHT 2018 BY Tyco Electronics AMP GmbH ALL RIGHTS RESERVED.

PROJECT	PRJ-17-000905364
PART NO.	X-2320404-X
DESCRIPTION	8-PORT 1GBPS SWITCH
CUSTOMER	GENERAL MARKET

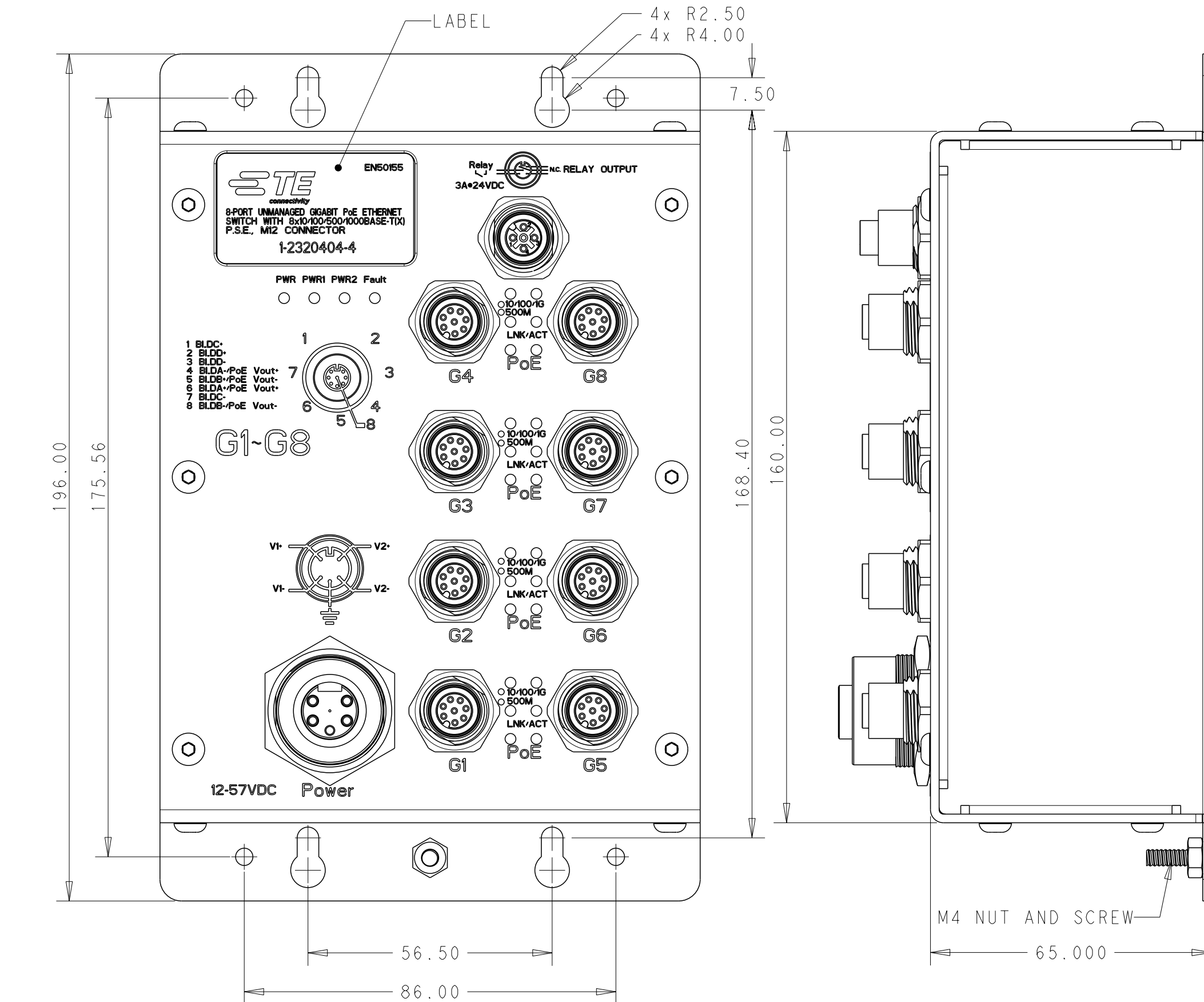
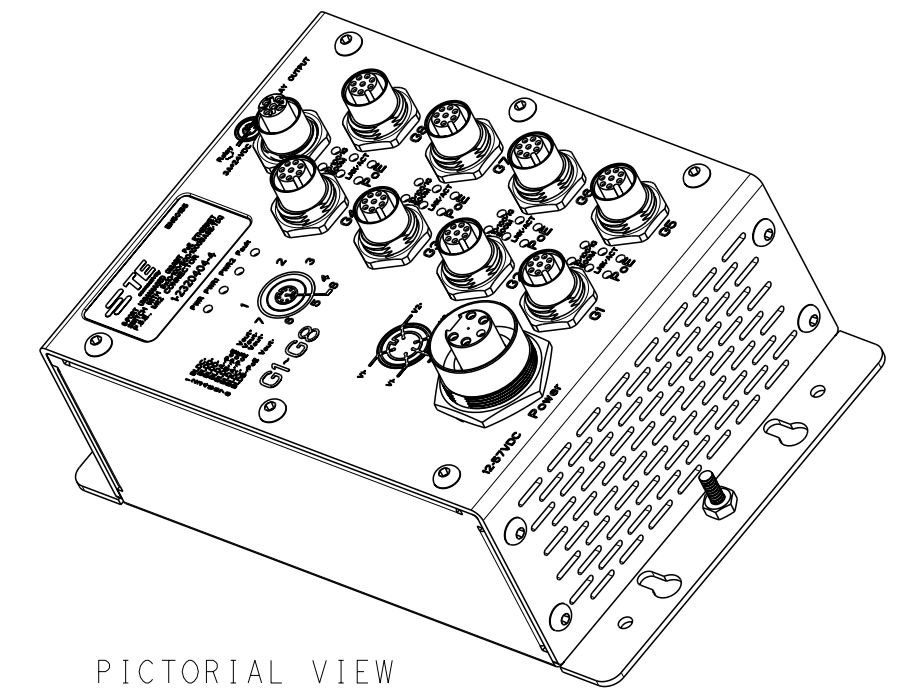
REVISIONS					
P	LTR	DESCRIPTION	DATE	DWN	APVD
A		INITIAL RELEASE	27AUG2018	GK	ES



MAIN FEATURES:

- * LEADING EN50155-COMPLIANT ETHERNET SWITCH FOR INDUSTRIAL APPLICATIONS, SUCH AS ROLLING STOCK, VEHICLE, AND RAILWAY APPLICATIONS.
- * SUPPORTS IEEE 802.3AT COMPLIANT POE WITH MAXIMUM 30WATTS PER PORT.
- * SUPPORT DUAL POWER INPUTS FOR POWER REDUNDANCY.
- * SUPPORT AUTO-NEGOTIATION AND AUTO-MDI/MDI-X.
- * SUPPORT STORE, FLOW CONTROL AND FORWARD TRANSMISSION.
- * BUILT-IN 2 SETS OF BYPASS PORTS.
- * M12 CONNECTORS TO GUARANTEE RELIABLE OPERATION AGAINST ENVIRONMENTAL DISTURBANCES.
- * RIGID IP-30 HOUSING DESIGN AND WALL MOUNTED.

FOR SPECIFICATIONS SEE PAGE 2



SL.NO.	PART NO.	DESCRIPTION	NO. OF PORTS	POE PORTS	SPEED	BY PASS	INPUT POWER
4	1-2320404-6	EN50155 8-PORT UNMANAGED GIGABIT PoE ETHERNET SWITCH WITH 8X10/100/500/1000BASE-T(X) P.S.E., M12 CONNECTOR AND 2XBYPASS INCLUDED, 72-110VDC INPUT	8	8	10/100/500/1000 BASE-T(X)	2X	72-110VDC
3	1-2320404-5	EN50155 8-PORT UNMANAGED GIGABIT PoE ETHERNET SWITCH WITH 8X10/100/500/1000BASE-T(X) P.S.E., M12 CONNECTOR, 72-110VDC INPUT	8	8	10/100/500/1000 BASE-T(X)	NO	72-110VDC
2	1-2320404-1	EN50155 8-PORT UNMANAGED GIGABIT PoE ETHERNET SWITCH WITH 8X10/100/500/1000BASE-T(X) P.S.E., M12 CONNECTOR AND 2XBYPASS INCLUDED, 12-57VDC INPUT	8	8	10/100/500/1000 BASE-T(X)	2X	12-57VDC
1	1-2320404-4	EN50155 8-PORT UNMANAGED GIGABIT PoE ETHERNET SWITCH WITH 8X10/100/500/1000BASE-T(X) P.S.E., M12 CONNECTOR, 12-57VDC INPUT	8	8	10/100/500/1000 BASE-T(X)	NO	12-57VDC

THIS DRAWING IS A CONTROLLED DOCUMENT. DWN 27AUG2018
 CHK GOPALAKRISHNA HV 27AUG2018
 E STELLINGA 27AUG2018
 APVD E STELLINGA 27AUG2018

STE TE Connectivity

NAME 8 PORT 1 GBPS SWITCH

SIZE A2 CAGE CODE - DRAWING NO G-2320404 RESTRICTED TO

MATERIAL - FINISH - WEIGHT - RESTRICTED CUSTOMER SCALE 1:1 SHEET 1 OF 2 REV A

8-PORT EN50155 GIGABIT POE ETHERNET SWITCH
 1GBPS UNMANAGED ETHERNET SWITCH WITH 2XBYPASS

Part Number				
	1-2320404-4	1-2320404-1	1-2320404-5	1-2320404-6
Physical ports				
10/100/1000Base-T(X) Ports	8 x M12 connector (8-pin M12 A-coding)			
Technology				
Ethernet Standards	IEEE 802.3 for 10Base-T IEEE 802.3u for 100Base-TX IEEE 802.3ab for 1000Base-T IEEE 802.3x for Flow control IEEE 802.3at compliant PoE specification (Maximum 30Watts per port)			
MAC Table	4K MAC addresses			
Processing	Store-and-Forward			
LED Indicators				
Power indicator	Green : Power LED x 3	Green : Power LED x 1		
Fault Indicator	Amber : Indicate PWR1 or PWR2 failure			
10/100/500Base-T(X) M12 port indicator and POE indicator	Top for 10/100/1000Mbps port Link/Act indicator. Green for 1Gbps link, Amber for 10/100 Mbps link Middle Amber for 500Mbps port Link/Act indicator Bottom blue for PoE Injected indicator			
Fault contact				
Relay	Relay output to carry capacity of 3A at 24VDC on M12 connector (5-pin A-coding)			
Power				
Redundant Input Power	Dual DC inputs. 12-57VDC on 5-pin M23 connector		72-110VDC power input on 5-pin M23 connector	
Power Consumption (Typ.)	2.88W	6.24W	7.88W	11.24W
PoE Output Power	60Watts (12-24VDC), 120 Watts (24-57VDC)		TBD	
Overload Current Protection	Present			
Reverse Polarity Protection	Present			
Physical Data				
Ingress Protection	IP-30			
Dimensions (W x D x H)	125 x 65 x 196 mm			
Weight	979g	1001g	979g	1001g
Environmental				
Storage Temperature	-40 to 85 °C (-40 to 185 °F)			
Operating Temperature	-40 to 75 °C (-40 to 167 °F)			
Operating Humidity	5% to 95% Non-condensing			
Cable Data				
EMI	FCC Part 15, CISPR (EN55022) class A, EN50155 (EN50121-3-2, EN55011, EN50121-4)			
EMS	EN61000-4-2 (ESD), EN61000-4-3 (RS), EN61000-4-4 (EFT), EN61000-4-5 (Surge), EN61000-4-6 (CS), EN61000-4-8, EN61000-4-11			
Shock & Vibration	IEC60068-2-27, IEC600068-2-6, IEC60068-2-32, EN61373			

X-ON Electronics

Largest Supplier of Electrical and Electronic Components

Click to view similar products for [Ethernet Modules](#) category:

Click to view products by [TE Connectivity](#) manufacturer:

Other Similar products are found below :

[TDKEZW3](#) [V23993-USB1029A](#) [100-POE4](#) [I210T1BLK](#) [X520QDA1](#) [BCM84794A1KFSBG](#) [X520DA2OCP](#) [808-38157](#) [7506GX2](#) [TC](#)
[EXTENDER 2001 ETH-2S](#) [105FX-SC-MDR](#) [110FX2-SC](#) [BCM54291B0IQLEG](#) [7000-P3201-P050150](#) [750-1415](#) [750-494](#) [750-495](#) [750-612](#)
[750-613](#) [750-627](#) [750-643](#) [750-940](#) [753-440](#) [753-540](#) [753-650/003-000](#) [852-1322](#) [852-1328](#) [852-1812](#) [852-1813](#) [852-1816](#) [LANTICK PE-](#)
[0-16](#) [LANTICK PE-16-0](#) [RBMTXLITE-L4X2.X.X.X.X.](#) [USR-TCP232-T2](#) [2017008](#) [EKI-7708E-4F-AE](#) [EKI-7708E-4FP-AE](#) [EKI-7708G-](#)
[4FP-AE](#) [2352903-2](#) [753-620](#) [EGU-0702-SFP-T](#) [SW-125](#) [SW-525](#) [SW-725](#) [1005957](#) [1006191](#) [304TX-N](#) [WIZ107SR_TTL](#) [ES-320](#)
[TDKEZW5](#)