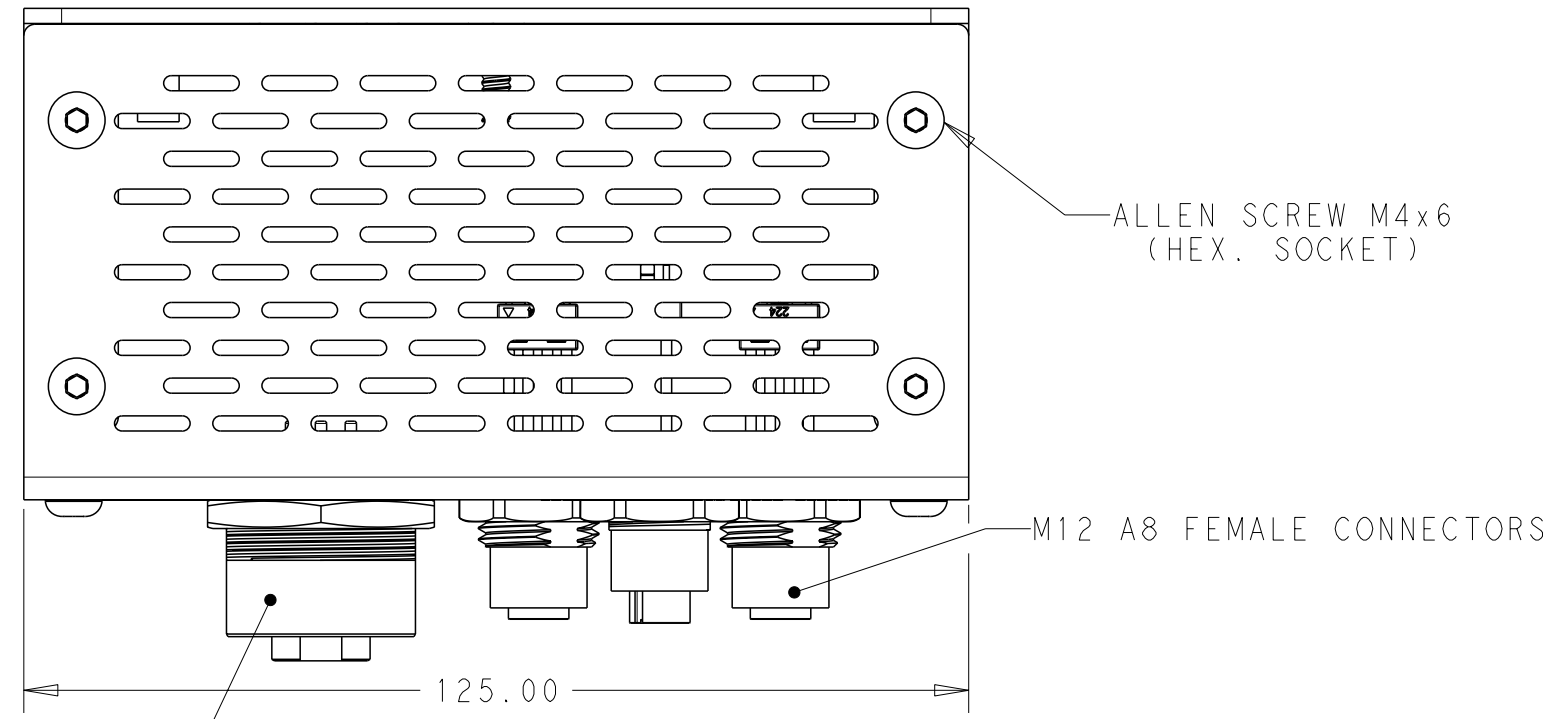


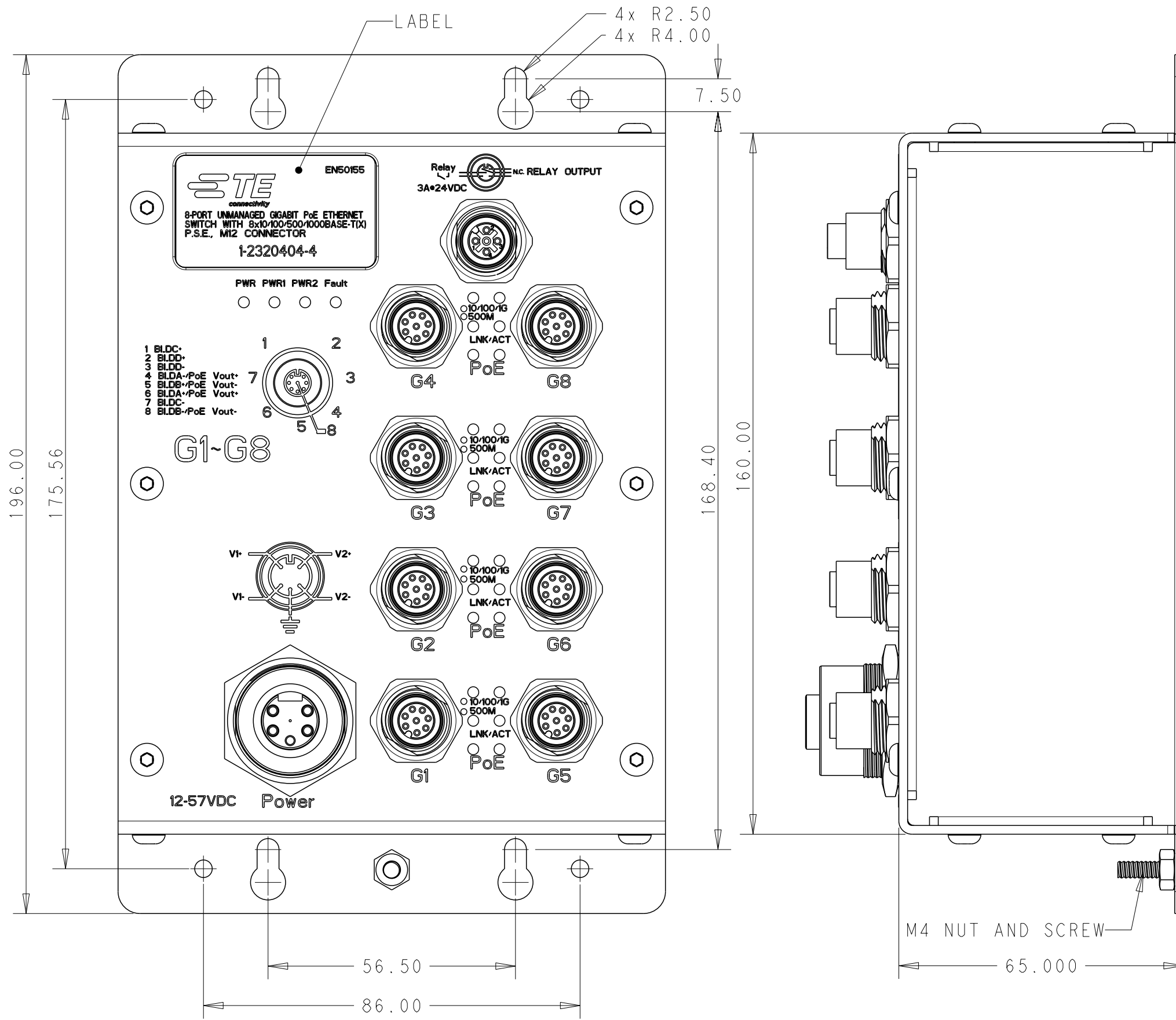
THIS DRAWING IS UNPUBLISHED. RELEASED FOR PUBLICATION 2018  
 © COPYRIGHT 2018 BY Tyco Electronics AMP GmbH ALL RIGHTS RESERVED.

|             |                     |
|-------------|---------------------|
| PROJECT     | PRJ-17-000905364    |
| PART NO.    | X-2320404-X         |
| DESCRIPTION | 8-PORT 1GBPS SWITCH |
| CUSTOMER    | GENERAL MARKET      |

| REVISIONS |     |                 |           |     |      |
|-----------|-----|-----------------|-----------|-----|------|
| P         | LTR | DESCRIPTION     | DATE      | DWN | APVD |
|           | A   | INITIAL RELEASE | 27AUG2018 | GK  | ES   |



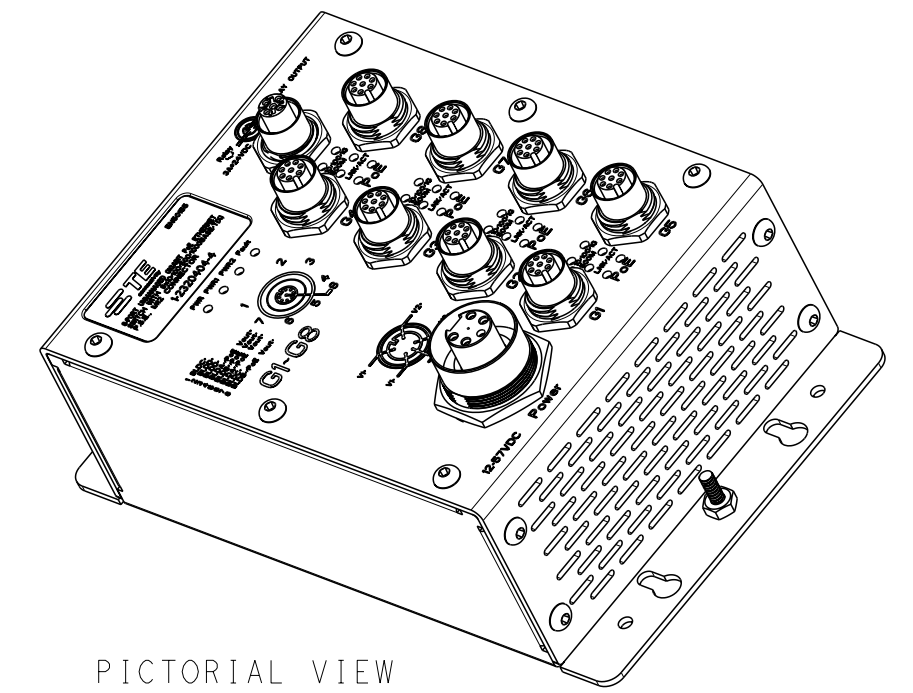
POWER INPUT:  
M23 5P FEMALE CONNECTOR



MAIN FEATURES:

- \* LEADING EN50155-COMPLIANT ETHERNET SWITCH FOR INDUSTRIAL APPLICATIONS, SUCH AS ROLLING STOCK, VEHICLE, AND RAILWAY APPLICATIONS.
- \* SUPPORTS IEEE 802.3AT COMPLIANT POE WITH MAXIMUM 30WATTS PER PORT.
- \* SUPPORT DUAL POWER INPUTS FOR POWER REDUNDANCY.
- \* SUPPORT AUTO-NEGOTIATION AND AUTO-MDI/MDI-X.
- \* SUPPORT STORE, FLOW CONTROL AND FORWARD TRANSMISSION.
- \* BUILT-IN 2 SETS OF BYPASS PORTS.
- \* M12 CONNECTORS TO GUARANTEE RELIABLE OPERATION AGAINST ENVIRONMENTAL DISTURBANCES.
- \* RIGID IP-30 HOUSING DESIGN AND WALL MOUNTED.

FOR SPECIFICATIONS SEE PAGE 2



| SL. NO. | PART NO.    | DESCRIPTION   | NO. OF PORTS | POE PORTS | SPEED                     | BY PASS | INPUT POWER |
|---------|-------------|---|--------------|-----------|---------------------------|---------|-------------|
| 4       | 1-2320404-6 | EN50155 8-PORT UNMANAGED GIGABIT PoE ETHERNET SWITCH WITH 8X10/100/500/1000BASE-T(X) P.S.E., M12 CONNECTOR AND 2XBYPASS INCLUDED, 72-110VDC INPUT | 8            | 8         | 10/100/500/1000 BASE-T(X) | 2X      | 72-110VDC   |
| 3       | 1-2320404-5 | EN50155 8-PORT UNMANAGED GIGABIT PoE ETHERNET SWITCH WITH 8X10/100/500/1000BASE-T(X) P.S.E., M12 CONNECTOR, 72-110VDC INPUT                       | 8            | 8         | 10/100/500/1000 BASE-T(X) | NO      | 72-110VDC   |
| 2       | 1-2320404-1 | EN50155 8-PORT UNMANAGED GIGABIT PoE ETHERNET SWITCH WITH 8X10/100/500/1000BASE-T(X) P.S.E., M12 CONNECTOR AND 2XBYPASS INCLUDED, 12-57VDC INPUT  | 8            | 8         | 10/100/500/1000 BASE-T(X) | 2X      | 12-57VDC    |
| 1       | 1-2320404-4 | EN50155 8-PORT UNMANAGED GIGABIT PoE ETHERNET SWITCH WITH 8X10/100/500/1000BASE-T(X) P.S.E., M12 CONNECTOR, 12-57VDC INPUT                        | 8            | 8         | 10/100/500/1000 BASE-T(X) | NO      | 12-57VDC    |

THIS DRAWING IS A CONTROLLED DOCUMENT.

DWN: 27AUG2018  
 CHK: GOPALAKRISHNA HV  
 E: STELLINGA  
 APVD: 27AUG2018  
 E: STELLINGA

**STE** TE Connectivity

NAME: 8 PORT 1 GBPS SWITCH

SIZE: A2 CAGE CODE: - DRAWING NO: C-2320404 RESTRICTED TO: -

MATERIAL: - FINISH: - WEIGHT: -

RESTRICTED CUSTOMER SCALE: 1:1 SHEET: 1 OF 2 REV: A

**8-PORT EN50155 GIGABIT POE ETHERNET SWITCH**  
 1GBPS UNMANAGED ETHERNET SWITCH WITH 2XBYPASS

| Part Number  |   |                       |  |             |
|--|---|-----------------------|--|-------------|
|  | 1-2320404-4   | 1-2320404-1           | 1-2320404-5                                  | 1-2320404-6 |
| Physical ports   |   |                       |  |             |
| 10/100/1000Base-T(X) Ports                               | 8 x M12 connector (8-pin M12 A-coding)  |                       |  |             |
| Technology   |   |                       |  |             |
| Ethernet Standards                                       | IEEE 802.3 for 10Base-T<br>IEEE 802.3u for 100Base-TX<br>IEEE 802.3ab for 1000Base-T<br>IEEE 802.3x for Flow control<br>IEEE 802.3at compliant PoE specification (Maximum 30Watts per port)     |                       |  |             |
| MAC Table  | 4K MAC addresses  |                       |  |             |
| Processing   | Store-and-Forward   |                       |  |             |
| LED Indicators   |   |                       |  |             |
| Power indicator  | Green : Power LED x 3   | Green : Power LED x 1 |  |             |
| Fault Indicator  | Amber : Indicate PWR1 or PWR2 failure   |                       |  |             |
| 10/100/500Base-T(X) M12 port indicator and POE indicator | Top for 10/100/1000Mbps port Link/Act indicator. Green for 1Gbps link, Amber for 10/100 Mbps link<br>Middle Amber for 500Mbps port Link/Act indicator<br>Bottom blue for PoE Injected indicator |                       |  |             |
| Fault contact  |   |                       |  |             |
| Relay  | Relay output to carry capacity of 3A at 24VDC on M12 connector (5-pin A-coding)   |                       |  |             |
| Power  |   |                       |  |             |
| Redundant Input Power                                    | Dual DC inputs. 12-57VDC on 5-pin M23 connector   |                       | 72-110VDC power input on 5-pin M23 connector |             |
| Power Consumption (Typ.)                                 | 2.88W   | 6.24W                 | 7.88W  | 11.24W      |
| PoE Output Power   | 60Watts (12-24VDC), 120 Watts (24-57VDC)  |                       | TBD  |             |
| Overload Current Protection                              | Present   |                       |  |             |
| Reverse Polarity Protection                              | Present   |                       |  |             |
| Physical Data  |   |                       |  |             |
| Ingress Protection                                       | IP-30   |                       |  |             |
| Dimensions (W x D x H)                                   | 125 x 65 x 196 mm   |                       |  |             |
| Weight   | 979g  | 1001g                 | 979g   | 1001g       |
| Environmental  |   |                       |  |             |
| Storage Temperature                                      | -40 to 85 °C (-40 to 185 °F)  |                       |  |             |
| Operating Temperature                                    | -40 to 75 °C (-40 to 167 °F)  |                       |  |             |
| Operating Humidity                                       | 5% to 95% Non-condensing  |                       |  |             |
| Cable Data   |   |                       |  |             |
| EMI  | FCC Part 15, CISPR (EN55022) class A, EN50155 (EN50121-3-2, EN55011, EN50121-4)   |                       |  |             |
| EMS  | EN61000-4-2 (ESD), EN61000-4-3 (RS), EN61000-4-4 (EFT), EN61000-4-5 (Surge), EN61000-4-6 (CS), EN61000-4-8, EN61000-4-11  |                       |  |             |
| Shock & Vibration  | IEC60068-2-27, IEC600068-2-6, IEC60068-2-32, EN61373  |                       |  |             |

## X-ON Electronics

Largest Supplier of Electrical and Electronic Components

*Click to view similar products for [Ethernet Modules](#) category:*

*Click to view products by [TE Connectivity](#) manufacturer:*

Other Similar products are found below :

[TDKEZW3](#) [V23993-USB1029A](#) [100-POE4](#) [I210T1BLK](#) [X520QDA1](#) [BCM84794A1KFSBG](#) [X520DA2OCP](#) [808-38157](#) [7506GX2](#) [TC](#)  
[EXTENDER 2001 ETH-2S](#) [105FX-SC-MDR](#) [110FX2-SC](#) [BCM54291B0IQLEG](#) [7000-P3201-P050150](#) [750-1415](#) [750-494](#) [750-495](#) [750-612](#)  
[750-613](#) [750-627](#) [750-643](#) [750-940](#) [753-440](#) [753-540](#) [753-650/003-000](#) [852-1322](#) [852-1328](#) [852-1812](#) [852-1813](#) [852-1816](#) [LANTICK PE-](#)  
[0-16](#) [LANTICK PE-16-0](#) [RBMTXLITE-L4X2.X.X.X.X.](#) [USR-TCP232-T2](#) [2017008](#) [EKI-7708E-4F-AE](#) [EKI-7708E-4FP-AE](#) [EKI-7708G-](#)  
[4FP-AE](#) [2352903-2](#) [753-620](#) [EGU-0702-SFP-T](#) [SW-125](#) [SW-525](#) [SW-725](#) [1005957](#) [1006191](#) [304TX-N](#) [WIZ107SR\\_TTL](#) [ES-320](#)  
[TDKEZW5](#)