

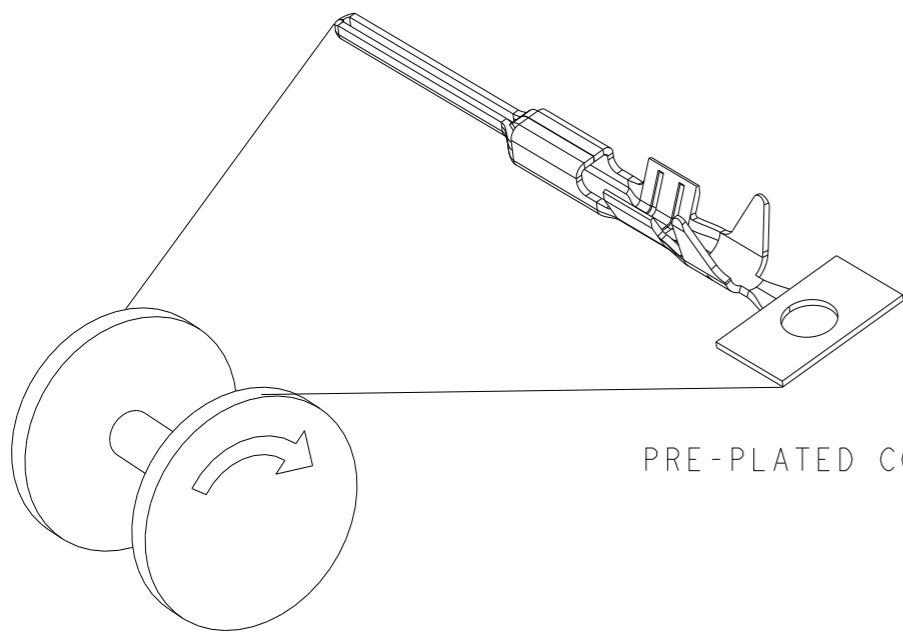
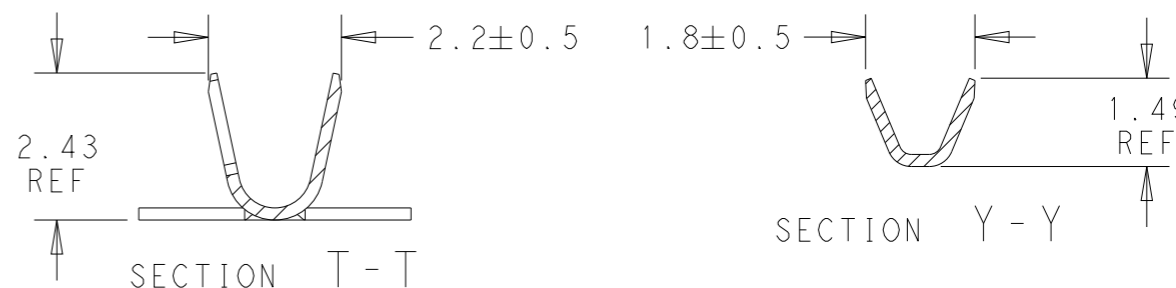
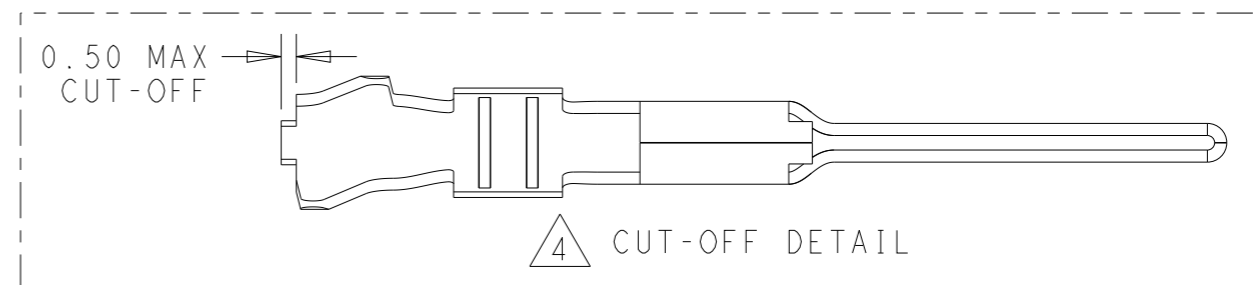
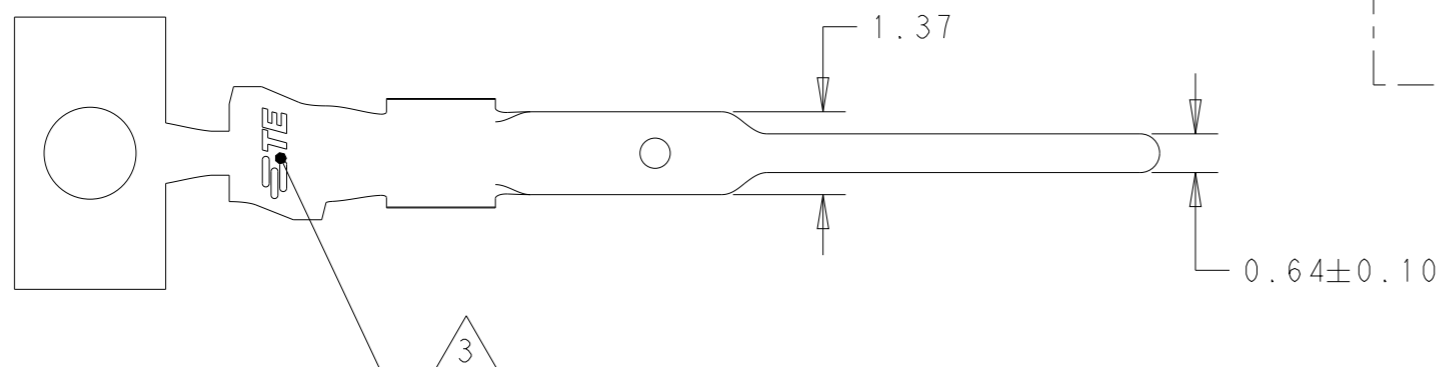
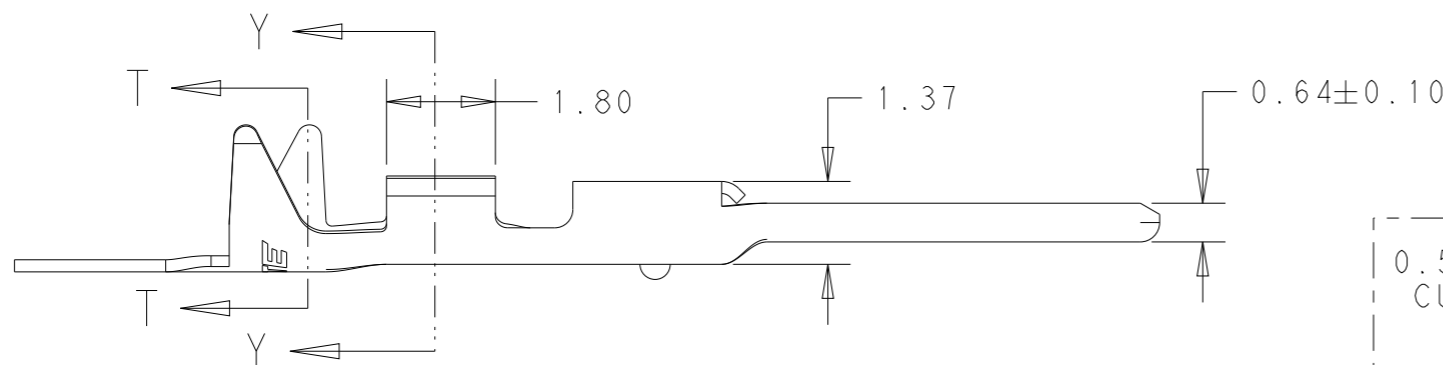
P	LTR	DESCRIPTION	DATE	DWN	APVD
	A	INITIAL RELEASE	08AUG2019	L.C	D.Z
	A1	ADD PART NUMBER	26MAY2021	L.C	D.Z

0.50 MAX CUT-OFF

DIM A REF

DIM B

- 1 BRASS, 0.20 THK, REF
- 2 FINISH: TIN PRE-PLATED
- 3 TE CONNECTIVITY LOGO LOCATED APPROX AS SHOWN
- 4 TO BE SUPPLIED WITH LOOSE PIECE, SEE CUT-OFF DETAIL
- 5 MATING RECEPTACLE HOUSING P/Ns: 2321924-\* OR 2321926-\*
- 6 APPLICATION FEED 6.0mm



PRE-PLATED CONTACT

12.78	15.38	1.30-1.60	22-26 AWG	LOOSE PIECE, SEE 4	2	1-2321928-1
12.18	14.78	1.30-1.60	22-26 AWG	ON REEL	2	2321928-2
12.78	15.38	1.30-1.60	22-26 AWG	ON REEL	2	2321928-1
DIM B	DIM A	INSULATION DIA	WIRE RANGE	REMARKS	FINISH	PART NO

THIS DRAWING IS A CONTROLLED DOCUMENT.

DIMENSIONS:	TOLERANCES UNLESS OTHERWISE SPECIFIED:
mm	
	0 PLC ±-
	1 PLC ±0.50
	2 PLC ±0.25
	3 PLC ±-
	4 PLC ±-
	ANGLES ±-
MATERIAL	FINISH
1	SEE NOTES

DWN	R. SMITH	28JUL2017
CHK	C. YI	28JUL2017
APVD	C. YI	28JUL2017
PRODUCT SPEC	108-143069	
APPLICATION SPEC	114-143067	
WEIGHT	-	
CUSTOMER DRAWING		

<b>STE</b> TE Connectivity			
NAME TAB TERMINAL, SDL 2.5 WATERPROOF			
SIZE	CAGE CODE	DRAWING NO	RESTRICTED TO
A3	00779	C-2321928	-
SCALE		SHEET	REV
5:1		1 OF 1	A1

## X-ON Electronics

Largest Supplier of Electrical and Electronic Components

*Click to view similar products for [Terminals](#) category:*

*Click to view products by [TE Connectivity](#) manufacturer:*

Other Similar products are found below :

[00-054007-01074-6](#) [00-054007-70206-1](#) [00-054007-70210-8](#) [00-054007-70217-7](#) [00-054007-70226-9](#) [00-054007-70228-3](#) [00-054007-70248-1](#) [00-054007-70256-6](#) [00-054007-70301-3](#) [00-054007-70316-7](#) [0-0320562-0](#) [00-054007-49560-4](#) [00-054007-70209-2](#) [00-054007-70225-2](#) [00-054007-70227-6](#) [00-054007-70231-3](#) [00-054007-70241-2](#) [00-054007-70242-9](#) [00-054007-70244-3](#) [00-054007-70246-7](#) [00-054007-70263-4](#) [00-054007-70288-7](#) [00-054007-70290-0](#) [00-054007-70300-6](#) [00-054007-70304-4](#) [01-2065-1-0216](#) [01-2900-1-04412](#) [00581P0075](#) [600TS-10](#) [60205-1](#) [604200-1](#) [605601-1](#) [60598-1-CUT-TAPE](#) [61314-6-C](#) [61810-3](#) [61-S](#) [61-SN](#) [626-0194](#) [62-NBM-A](#) [62-SN](#) [62-SP](#) [63-S](#) [640179-1](#) [M55155/059I03](#) [M55155/079C01](#) [M55155/099H02](#) [M55155/109H01](#) [M55155/109H02](#) [M55155/12XH05](#) [M55155/16XH02](#)