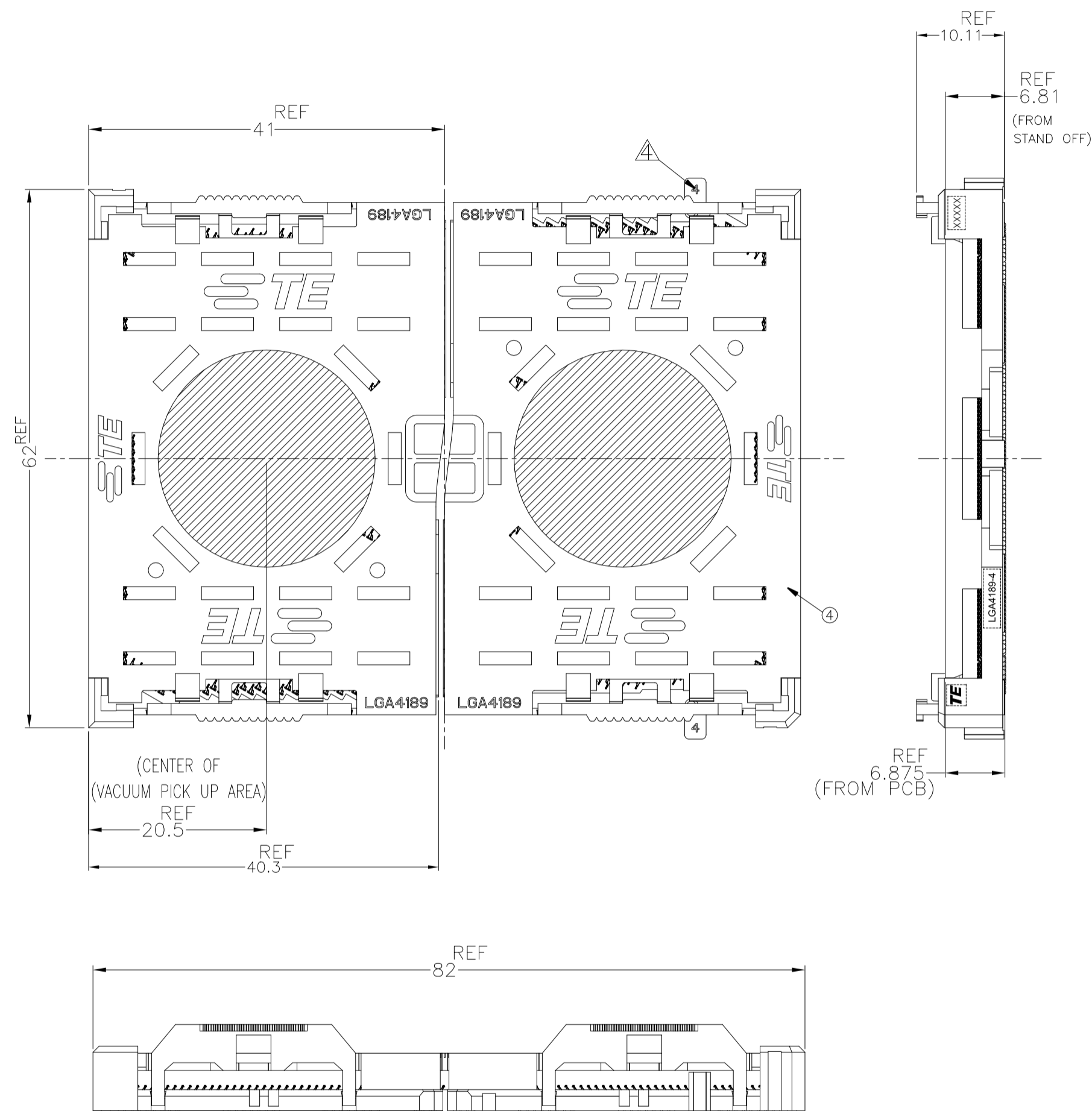


LOC	DIST	REVISIONS			
P	LTR	DESCRIPTION	DATE	DWN	APVD
ES	-	A	RELEASE DRAWING	31OCT2019	G.L S.L



1. MATERIAL
- ① HOUSING : HIGH TEMP, THERMO-PLASTIC, UL94V-0, BLACK
 - ② CONTACT : COPPER ALLOY
FINISH : Au PL. SHOW AS Δ AT CONTACT AREA
ON OVERALL OVER Ni UNDER PL. 0.00127 MIN.
 - ③ SOLDER BALL : Sn/Ag/Cu
 - ④ CAP : HIGH TEMP. THERMO-PLASTIC, UL94V-0, NATURAL
- Δ INDICATED DATE CODE , TYCO LOGO, PRODUCT NAME ON THE HSG
 Δ FOR NORMAL ORDER, LEFT AND RIGHT SEGMENT SHOULD ORDER AT SAME TIME
 Δ THE NUMBER INDICATED SOCKET NAME,"4" FOR SOCKET P4,"5" FOR SOCKET P5.
 Δ THE PAD SIZE IS FOR REFERENCE,CUSTOMER CAN FOLLOW INTEL INSTRUNCTION TO DESIGN
 Δ THESE DIMENSIONS FOR BACK PLATE SCREW HOLE.

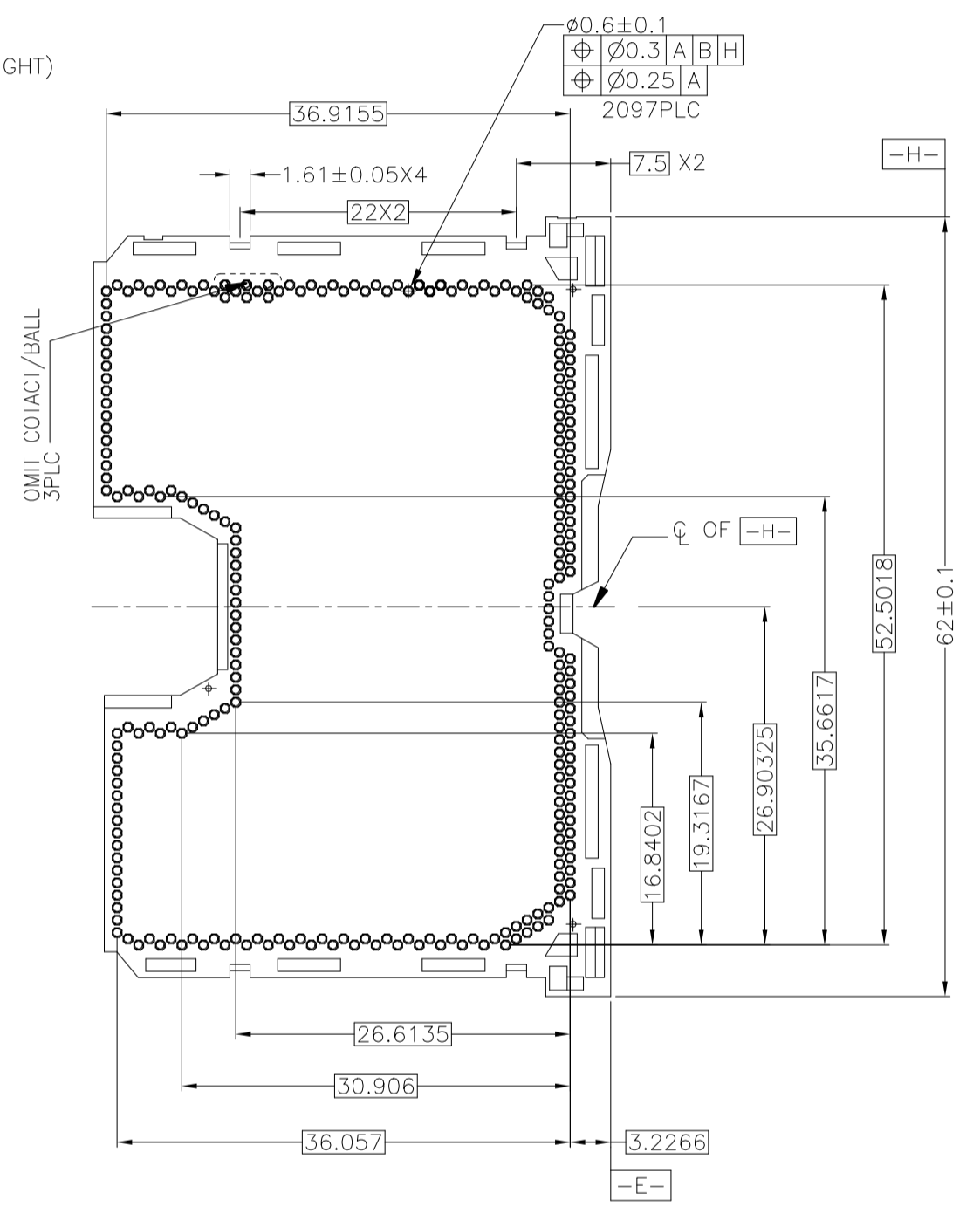
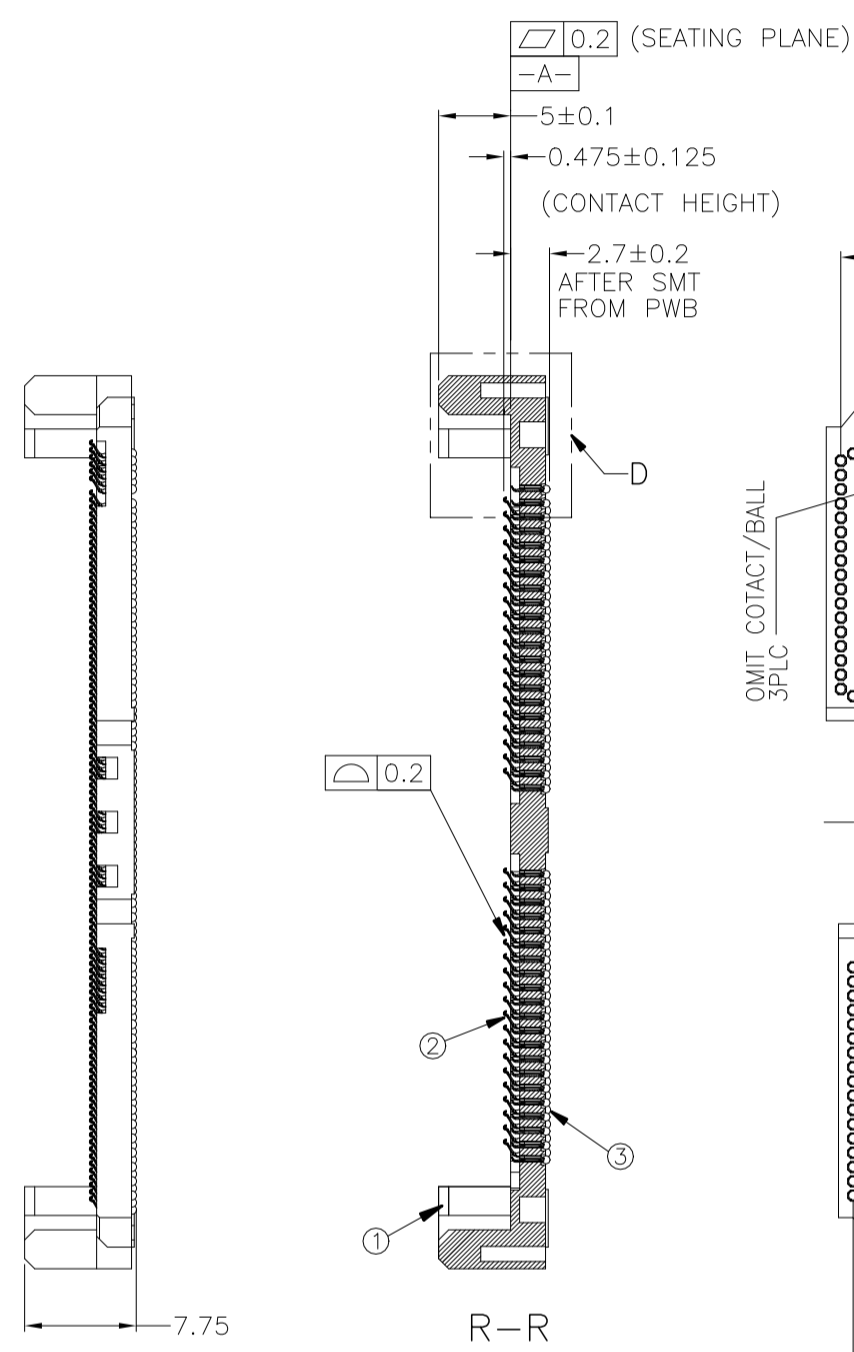
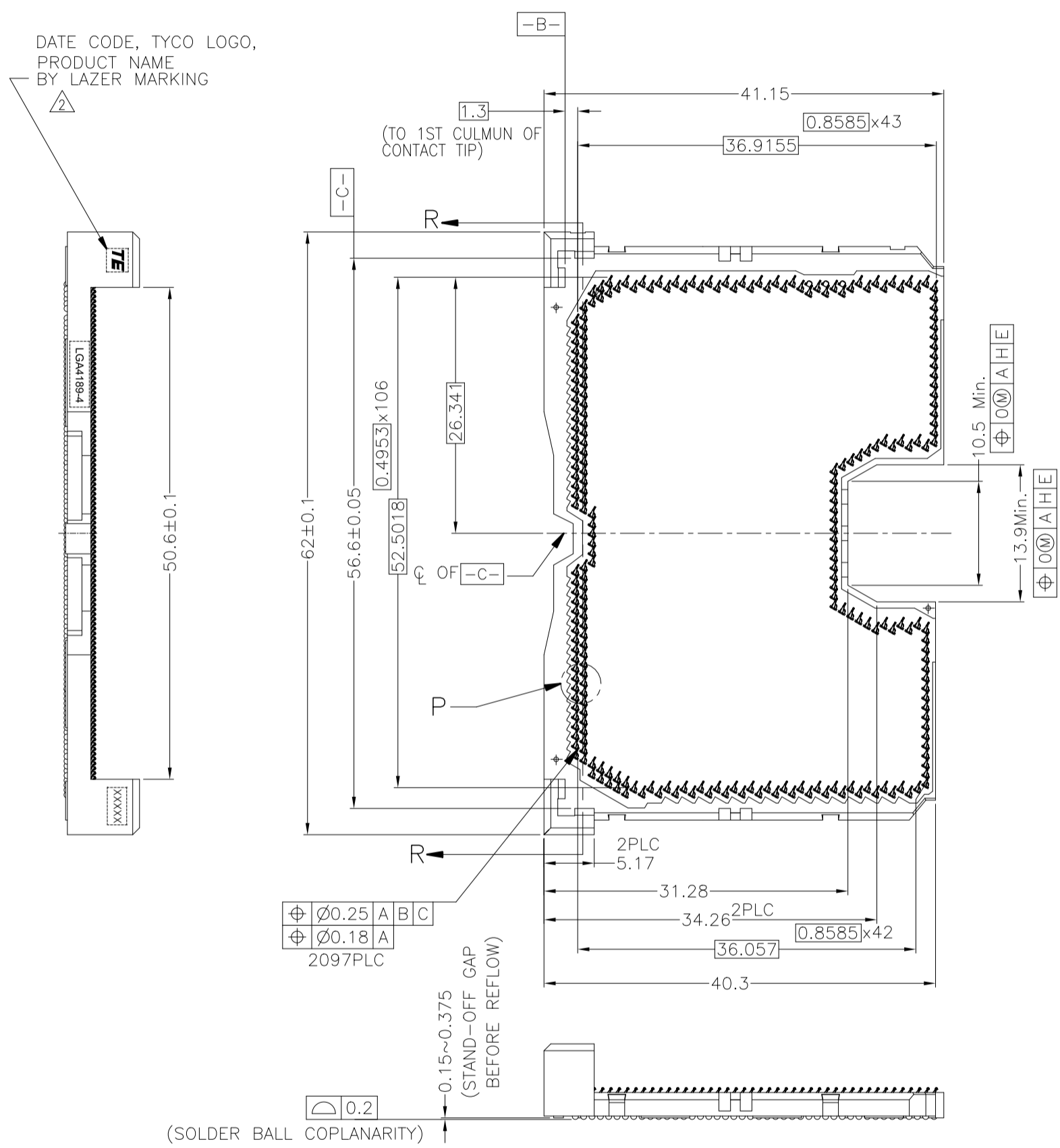
	30u" AU PLATING		15u" AU PLATING		DESCRIPTION
	LGA4189-4 SOCKET P4	LGA4189-5 SOCKET P5	LGA4189-4 SOCKET P4	LGA4189-5 SOCKET P5	
LGA4189-4 RIGHT SEGMENT					
LGA4189-4 LEFT SEGMENT					
LGA4189-5 RIGHT SEGMENT					
LGA4189-5 LEFT SEGMENT					
LGA4189-4 RIGHT SEGMENT					
LGA4189-4 LEFT SEGMENT					
LGA4189-5 RIGHT SEGMENT					
LGA4189-5 LEFT SEGMENT					
	1				1-2324271-1
		1			1-2324271-2
			1		1-2324271-5
				1	1-2324271-6
					1-2324271-3
				1	1-2324271-4
					1-2324271-7
				1	1-2324271-8
PRODUCT WEIGHT (g/SOCKET)	QUANTITY PER UNIT				PACKAGE P/N

AFTER SMT CONDITION (WITH CAP)
 DEMONSTRATION BY SOCKET P4,LGA4189-4

THIS DRAWING IS A CONTROLLED DOCUMENT.		DWN	23AUG2017	TE Connectivity	NAME SOCKET ASSY LGA4189-X
DIMENSIONS: mm		CHK	23AUG2017		
TOLERANCES UNLESS OTHERWISE SPECIFIED:		APVD	23AUG2017		
0-PLC \pm 1-PLC ± 0.3 2-PLC ± 0.3 3-PLC \pm 4-PLC \pm ANGLES \pm		PRODUCT SPEC	108-115149		
MATERIAL		APPLICATION SPEC	114-115011	SIZE	A2
		FINISH		CAGE CODE	00779
				DRAWING NO	G=2324271
				RESTRICTED TO	-
				CUSTOMER DRAWING	SCALE NTS SHEET 1 OF 7 REV A

LOC	DIST	REVISIONS			
P	LTR	DESCRIPTION	DATE	DWN	APVD
ES	-	SEE SHEET 1	-	-	-

DATE CODE, TYCO LOGO,
 PRODUCT NAME
 BY LAZER MARKING



THESE VIEW DON'T SHOW CAP
 BEFORE SMT CONDITION
 LGA4189-4 LEFT SIDE ASSY
 1-2323614-* AS SHOWN

THIS DRAWING IS A CONTROLLED DOCUMENT.		DWN	TE Connectivity	
DIMENSIONS: mm		CHK	NAME	
TOLERANCES UNLESS OTHERWISE SPECIFIED:		APVD	SOCKET ASSY LGA4189-X	
0-PLC ±		PRODUCT SPEC	SIZE	CAGE CODE
1-PLC ±0.3		APPLICATION SPEC	A2	00779
2-PLC ±		WEIGHT	DRAWING NO. 2324271	
3-PLC ±		CUSTOMER DRAWING	SCALE	SHEET
4-PLC ±			NTS	2 OF 7
ANGLES ±				REV A
FINISH				

LOC	DIST	REVISIONS			
P	LTR	DESCRIPTION	DATE	DWN	APVD
ES	-	SEE SHEET 1	-	-	-

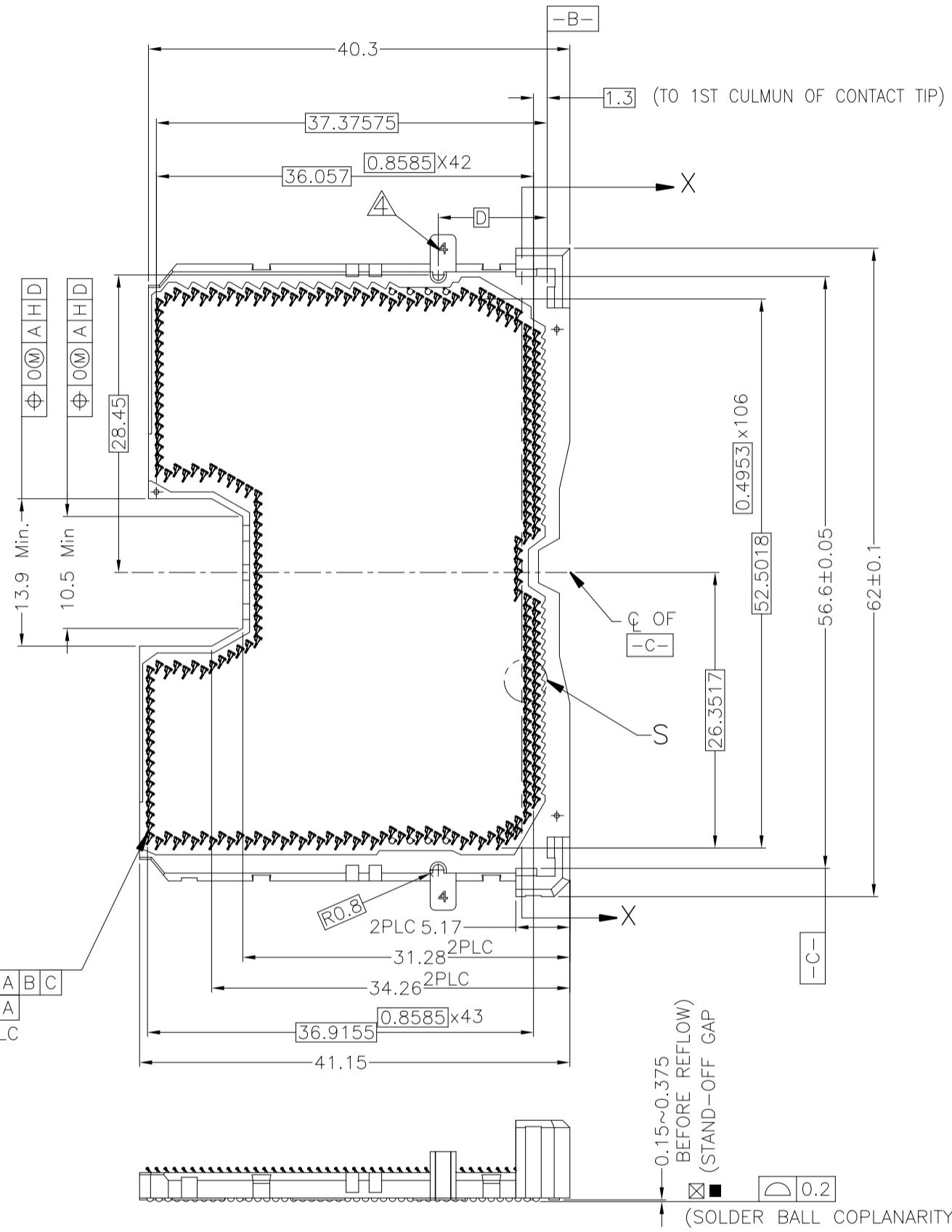
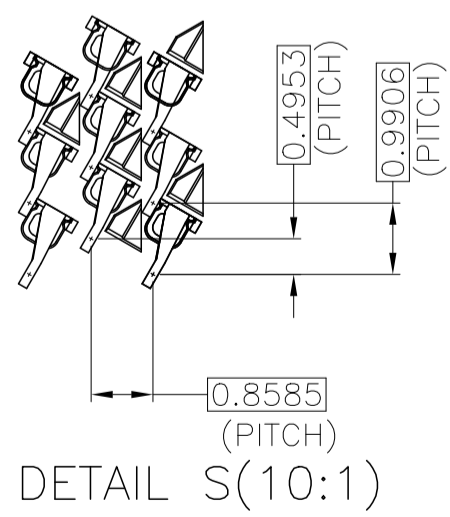
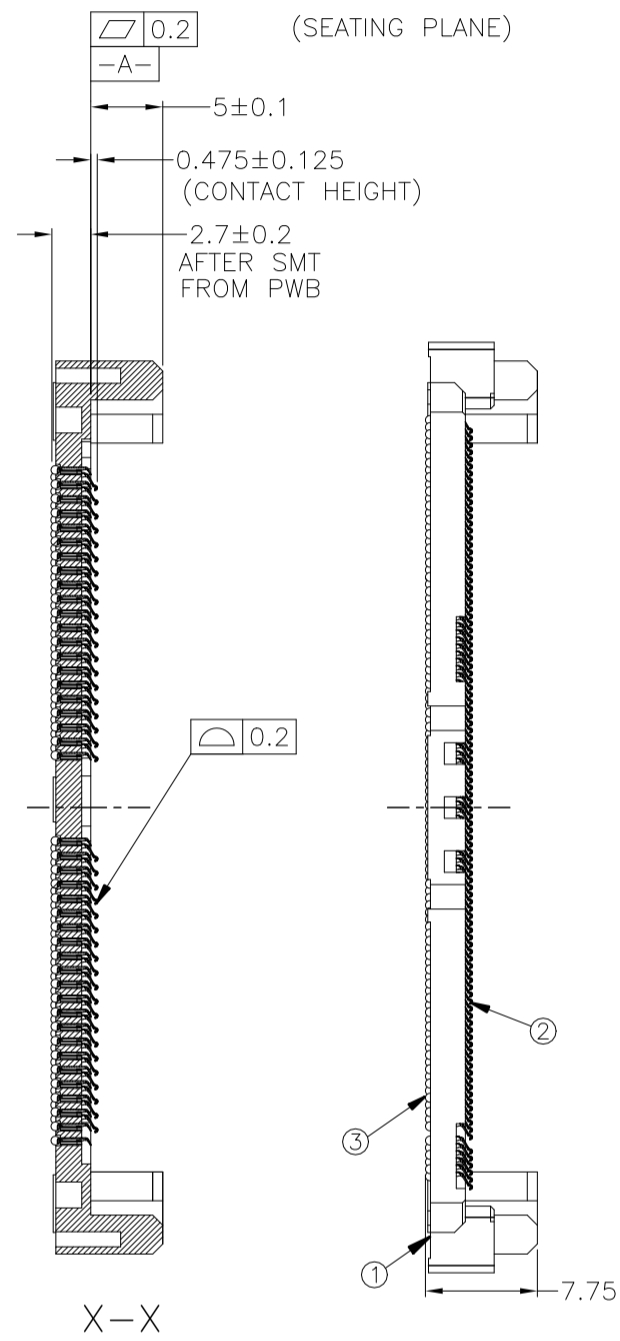
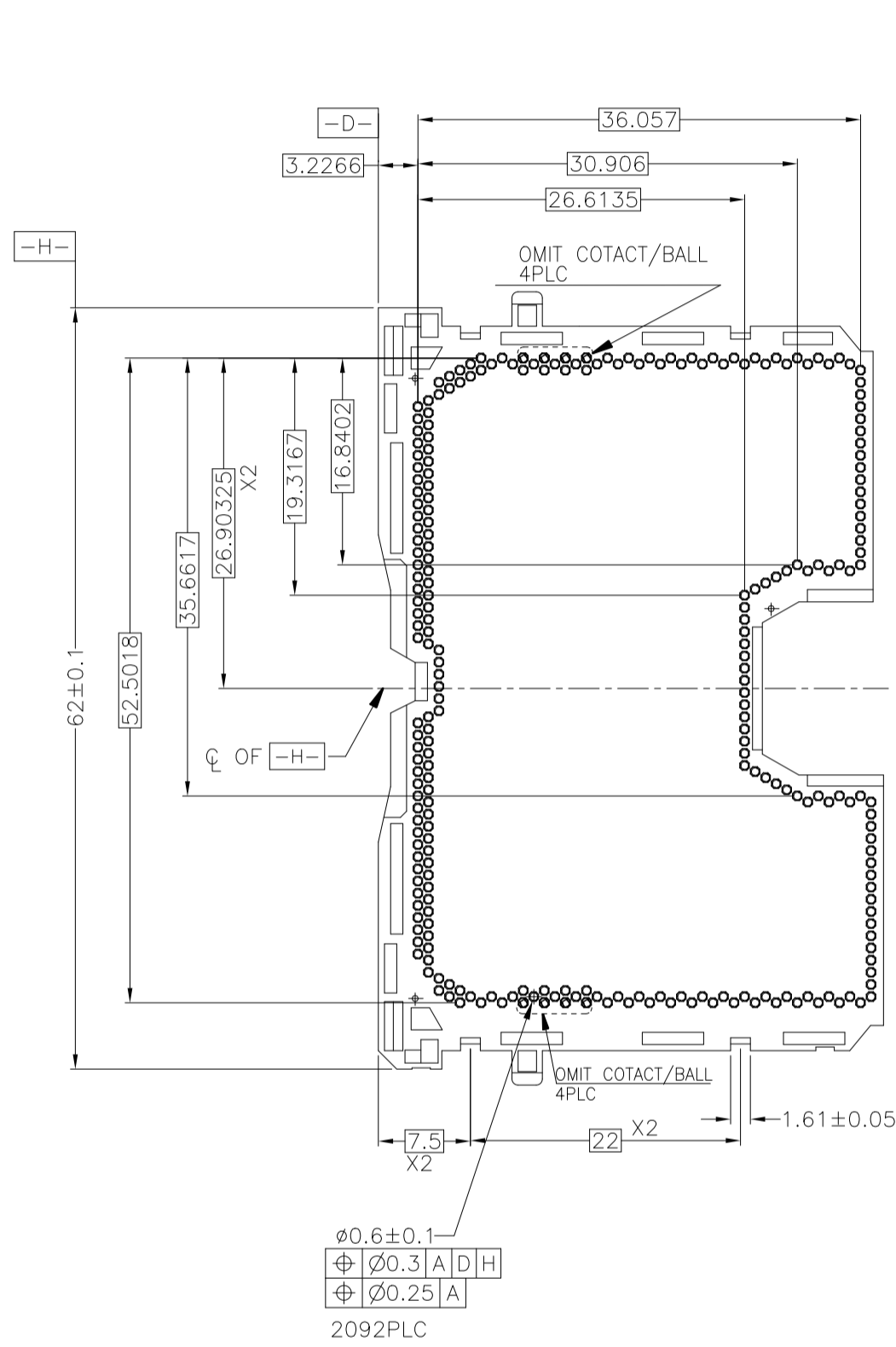


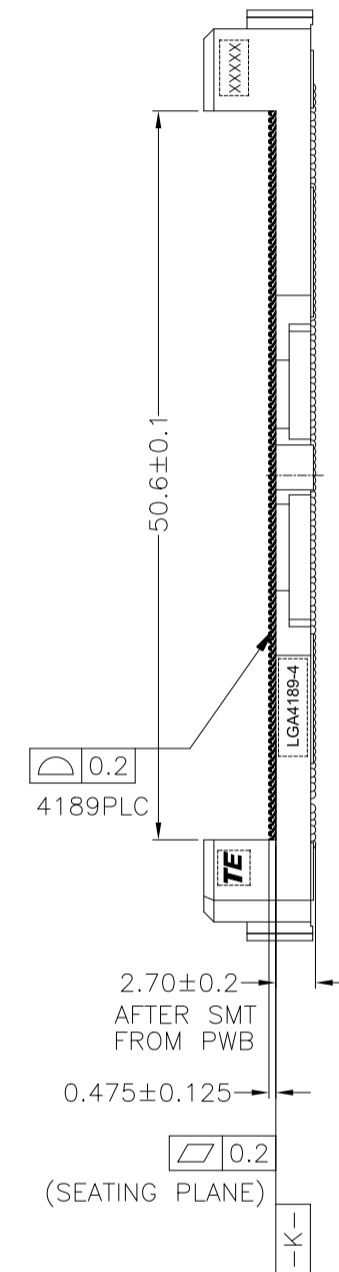
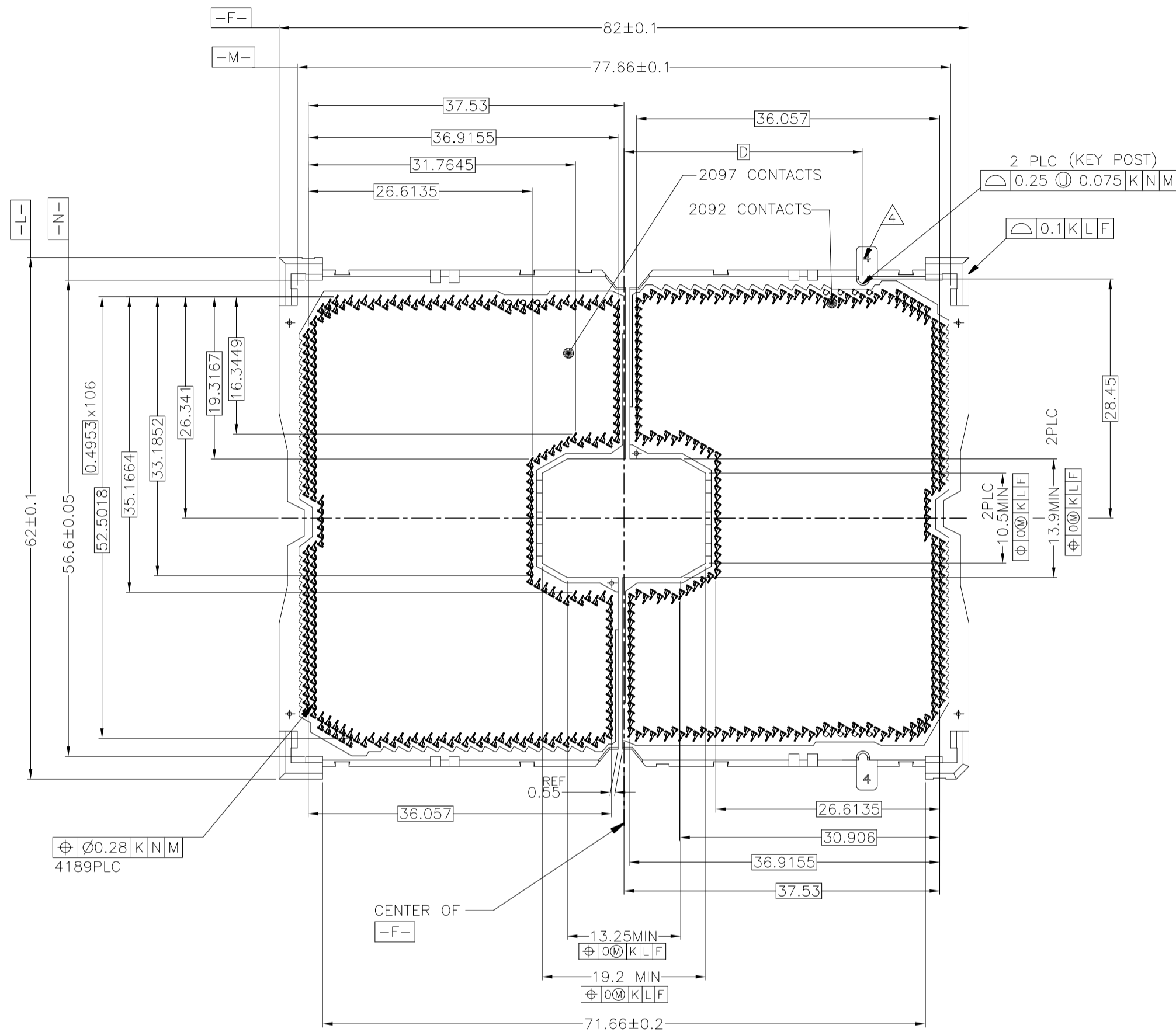
TABLE FOR P4/P5 KEY LOCATION

DESCRIPTION	DIM D
LGA4189 SOCKET P5(RIGHT SEGMENT)	13.415
LGA4189 SOCKET P4(RIGHT SEGMENT)	10.415

THESE VIEW DON'T SHOW CAP BEFORE SMT CONDITION
 LGA4189-4 RIGHT SIDE ASSY
 2323614-* AS SHOWN

THIS DRAWING IS A CONTROLLED DOCUMENT.		DWN	TE Connectivity	
DIMENSIONS: mm		CHK	NAME	
TOLERANCES UNLESS OTHERWISE SPECIFIED:		APVD	PRODUCT SPEC	
0-PLC ±		APPLICATION SPEC	SOCKET ASSY	
1-PLC ±0.3		WEIGHT	LGA4189-X	
2-PLC ±		SIZE	CAGE CODE	DRAWING NO
3-PLC ±		A2	00779	G=2324271
4-PLC ±		CUSTOMER DRAWING		
ANGLES ±		SCALE	SHEET	REV
FINISH		NTS	3 of 7	A

LOC	DIST	REVISIONS			
P	LTR	DESCRIPTION	DATE	DWN	APVD
ES	-	SEE SHEET 1	-	-	-



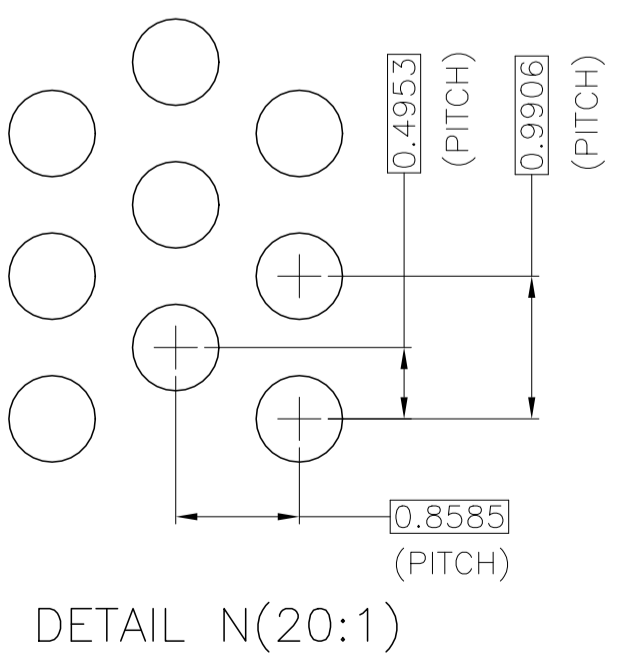
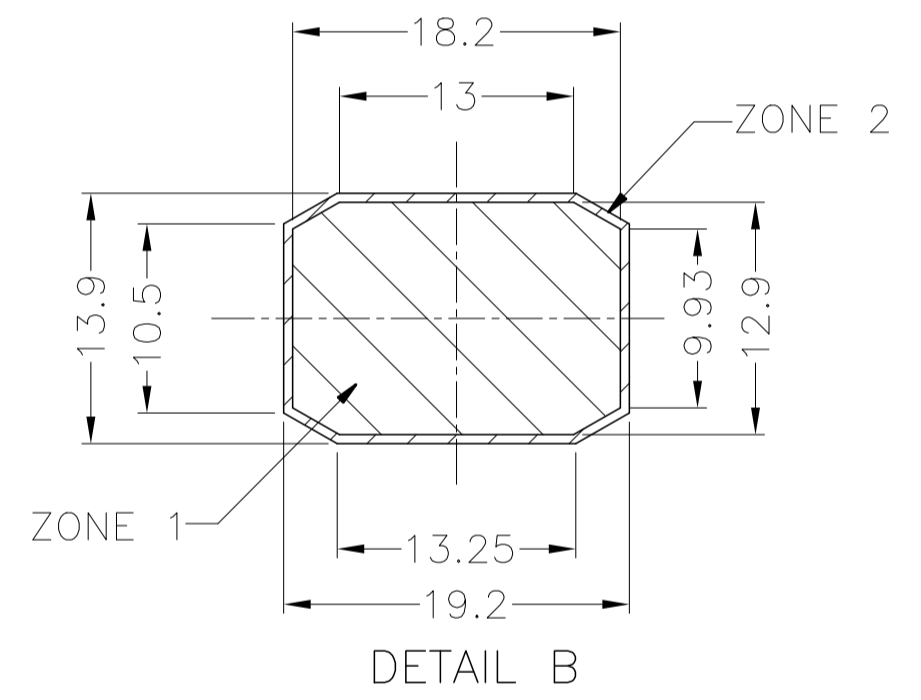
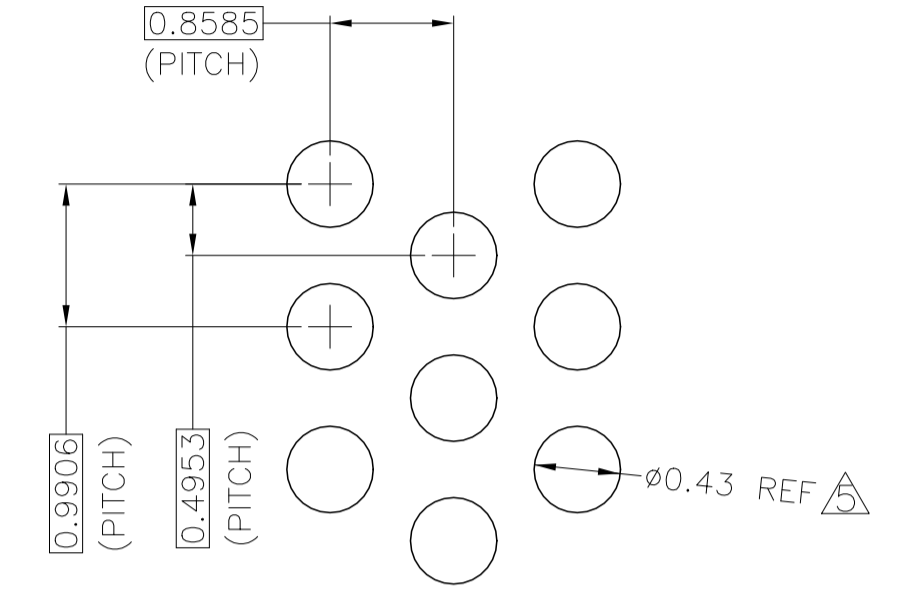
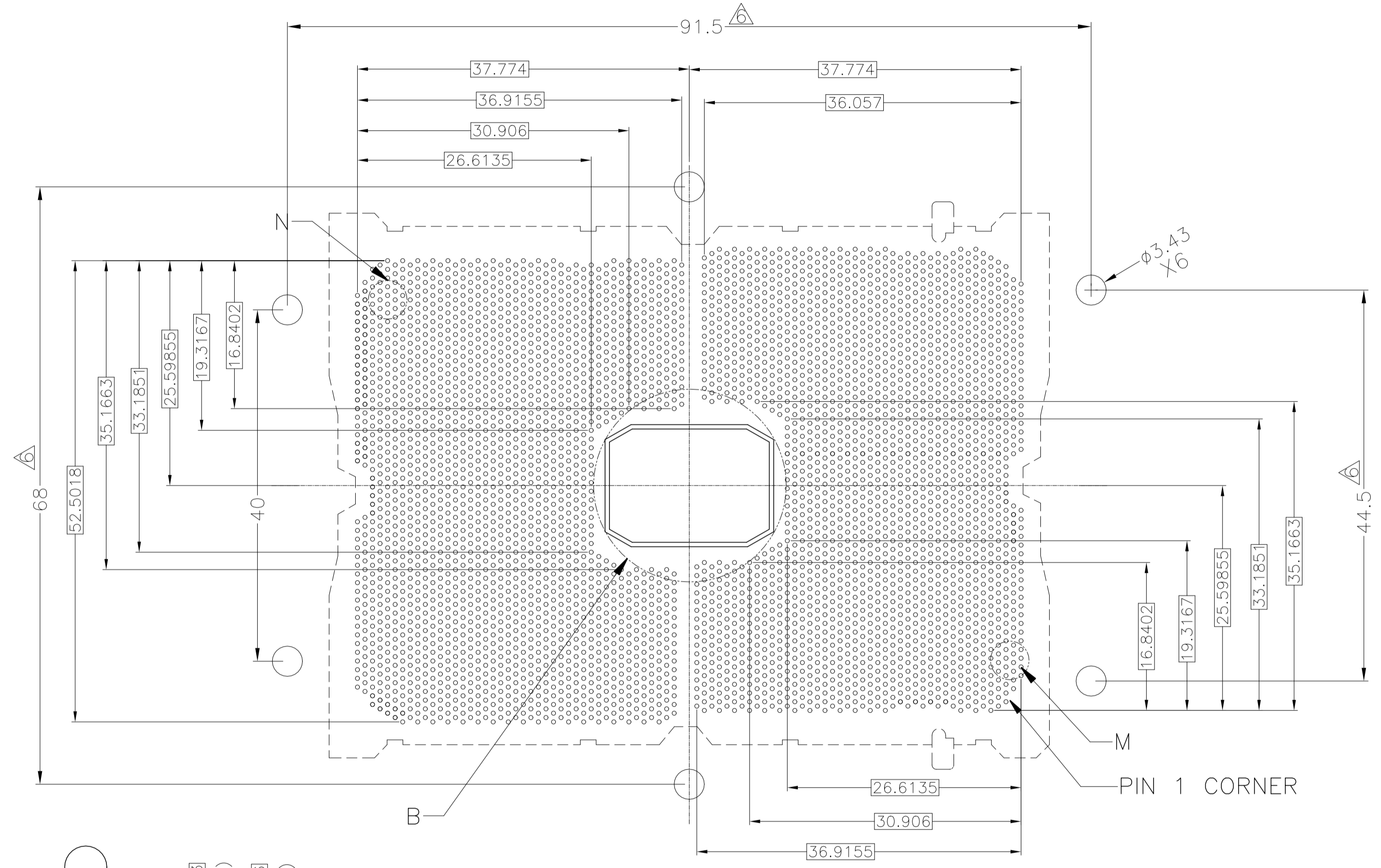
AFTER SMT CONDITION (WITHOUT CAP)

TABLE FOR P4/P5 KEY LOCATION

LGA4189 SOCKET P5(RIGHT SEGMENT)	25.415
LGA4189 SOCKET P4(RIGHT SEGMENT)	28.415
DESCRIPTION	DIM D

THIS DRAWING IS A CONTROLLED DOCUMENT.		DWN	TE Connectivity		
DIMENSIONS: mm		CHK	NAME		
TOLERANCES UNLESS OTHERWISE SPECIFIED:		APVD	PRODUCT SPEC		
0-PLC ± 1-PLC ±0.3 2-PLC ± 3-PLC ±3 4-PLC ± ANGLES ±		APPLICATION SPEC		SOCKET ASSY LGA2324271-X	
MATERIAL	FINISH	WEIGHT	SIZE	CAGE CODE	DRAWING NO
-	-	-	A2	00779	G=2324271
CUSTOMER DRAWING			SCALE	SHEET	REV
			NTS	4 OF 7	A

LOC	DIST	REVISIONS			
P	LTR	DESCRIPTION	DATE	DWN	APVD
ES	-	SEE SHEET 1	-	-	-



PCB BALL LAYOUT REFERENCE

KOZ LEGEND FOR REFERENCE:

	ZONE 2: SOCKET CAVITY TO SOCKET ZONE. NO COMPONENT PLACEMENT ALLOWED 0.0mm HEIGHT RESTRICTION.
	ZONE 1: SOCKET CAVITY 1.222mm HEIGHT RESTRICTION.

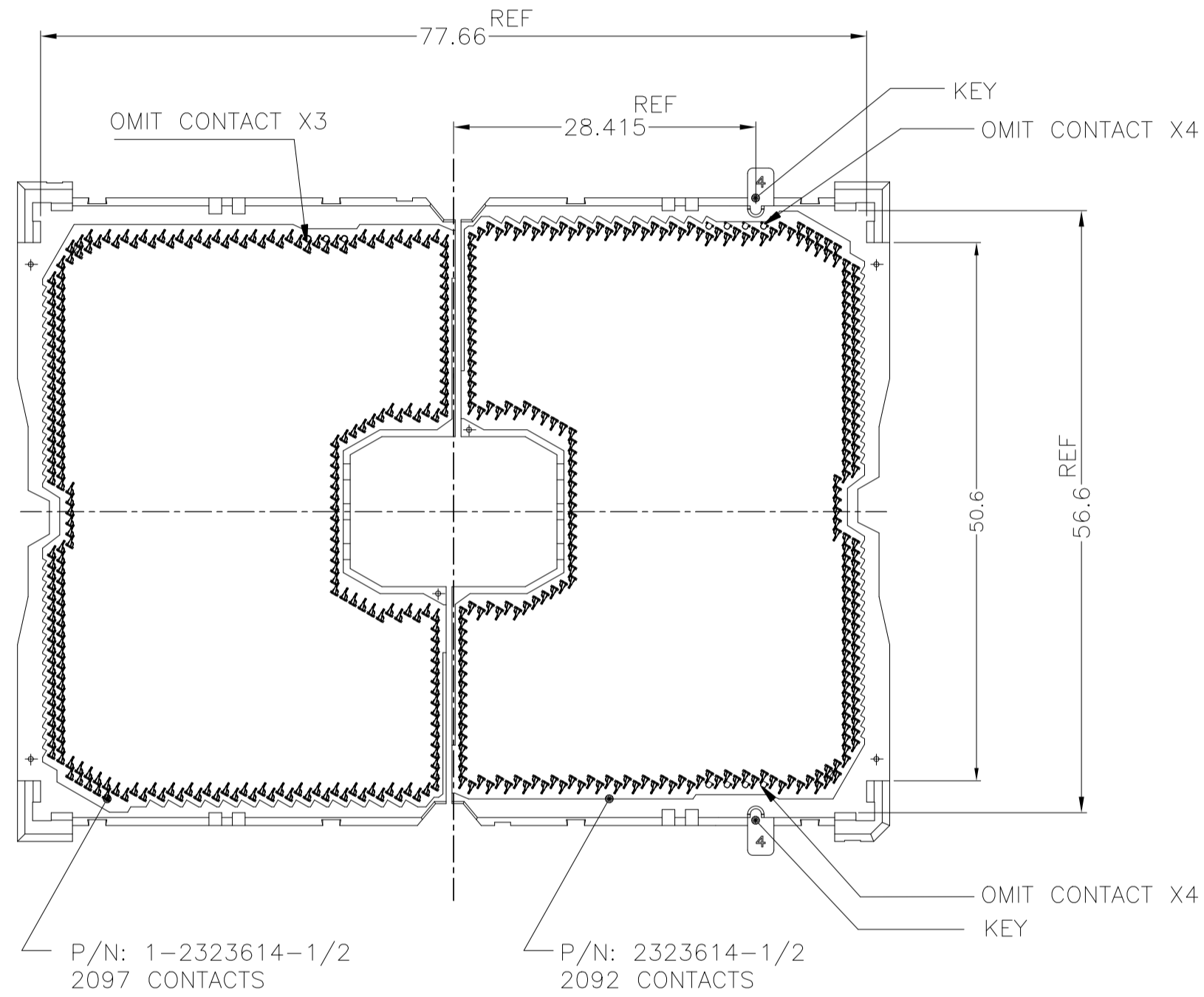
THIS DRAWING IS A CONTROLLED DOCUMENT.		DWN	-		
		CHK	-		
		APVD	-		
DIMENSIONS: mm		NAME			
TOLERANCES UNLESS OTHERWISE SPECIFIED:		PRODUCT SPEC			
0. PLC ±		APPLICATION SPEC			
1. PLC ±0.3		SIZE		RESTRICTED TO	
2. PLC ±		A2		-	
3. PLC ±		CAGE CODE		-	
4. PLC ±		DRAWING NO		-	
ANGLES ±		G=2324271		-	
FINISH		WEIGHT		-	
-		CUSTOMER DRAWING		SCALE NTS SHEET 5 OF 7 REV A	



SOCKET ASSY
LGA4189-X

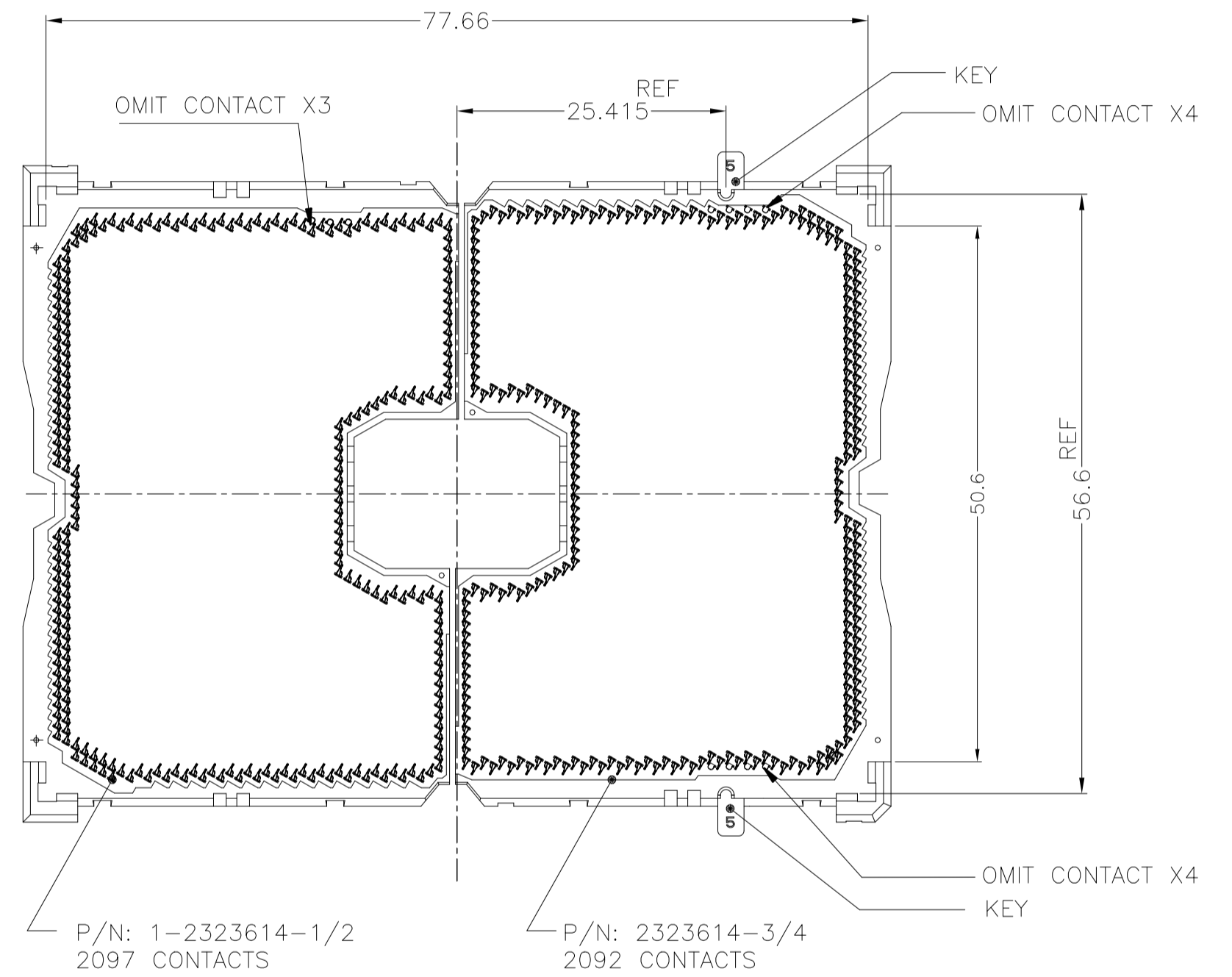
LOC		DIST		REVISIONS			
P	LTR	DESCRIPTION	DATE	DWN	APVD		
-	-	SEE SHEET 1	-	-	-		

SOCKET P4,LGA4189-4 AS SHOWN



LGA4189-4 AS SHOWN
 AFTER SMT CONDITION (WITHOUT CAP)

SOCKET P5,LGA4189-5 AS SHOWN

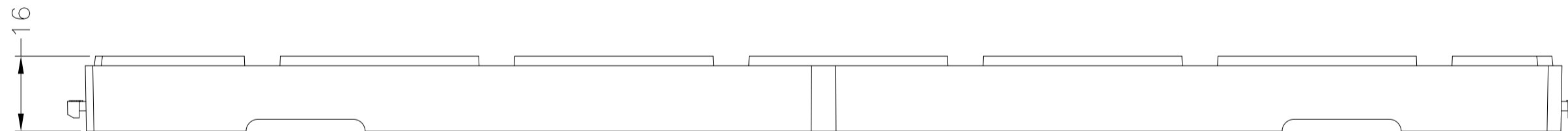
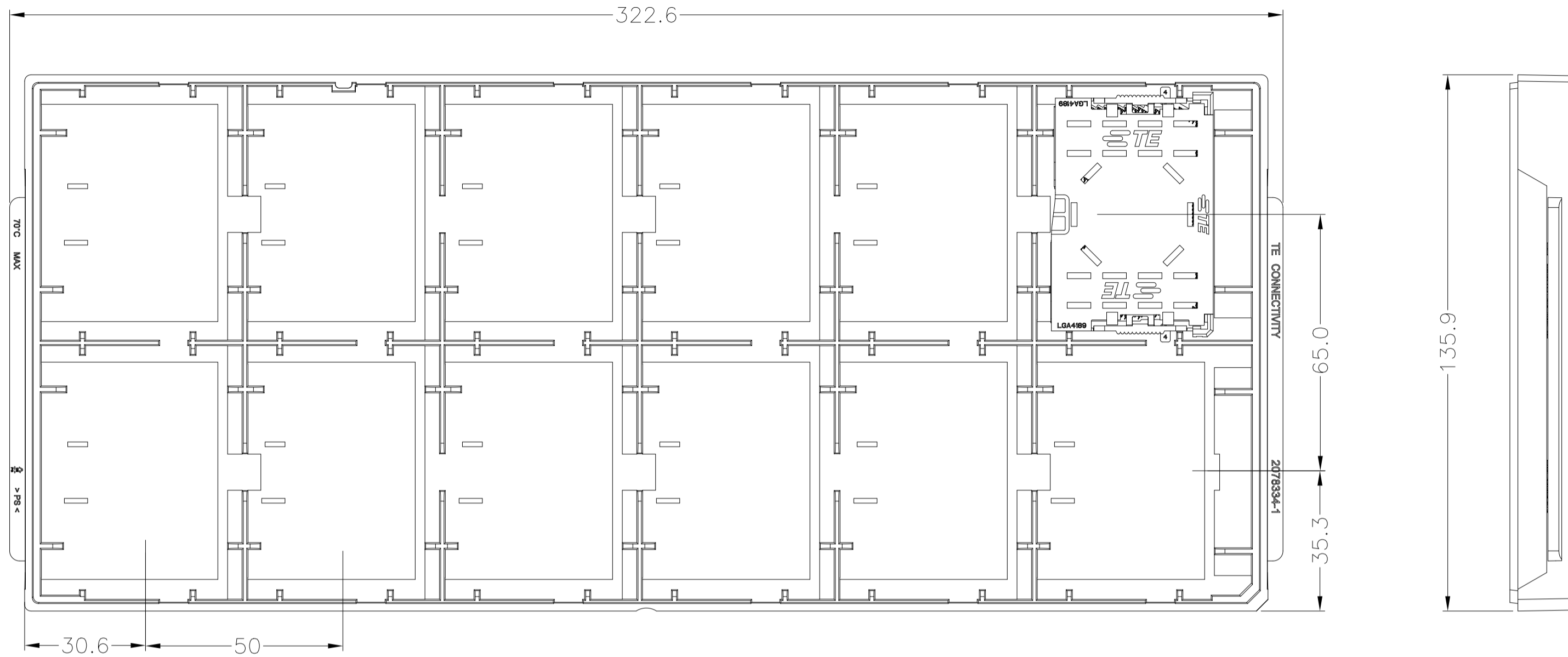


LGA4189-5 AS SHOWN
 AFTER SMT CONDITION (WITHOUT CAP)

LGA4189-X POST SMT CONDITION
 (PCB IS NOT SHOWN)

THIS DRAWING IS A CONTROLLED DOCUMENT.		DWN	TE Connectivity	
DIMENSIONS: mm		CHK	NAME	
TOLERANCES UNLESS OTHERWISE SPECIFIED: 0-PLC ± 1-PLC ±0.3 2-PLC ± 3-PLC ±3 4-PLC ± ANGLES ± FINISH -		APVD	PRODUCT SPEC	
MATERIAL		APVD	APPLICATION SPEC	
		WEIGHT	SIZE	CAGE CODE
		CUSTOMER DRAWING	A2	00779
		SCALE	DRAWING NO	RESTRICTED TO
		NTS	G=2324271	-
		SHEET	6 of 7	REV
				A

LOC	DIST	REVISIONS			
P	LTR	DESCRIPTION	DATE	DWN	APVD
ES	-	SEE SHEET 1	-	-	-



FOR LEFT SEGMENT, USE BLACK TRAY TO PACKAGE.
 FOR RIGHT SEGMENT, USE BLUE TRAY TO PACKAGE.

SOCKET P4/5 HARD TRAY

168	84	12	1-2324271-7	LGA4189-5 RIGHT SEGMENT	LGA4189-5 SOCKET P5
168	84	12	1-2324271-8	LGA4189-5 LFFT SEGMENT	
168	84	12	1-2324271-5	LGA4189-5 RIGHT SEGMENT	
168	84	12	1-2324271-6	LGA4189-5 LFFT SEGMENT	
168	84	12	1-2324271-3	LGA4189-4 RIGHT SEGMENT	LGA4189-4 SOCKET P4
168	84	12	1-2324271-4	LGA4189-4 LFFT SEGMENT	
168	84	12	1-2324271-1	LGA4189-4 RIGHT SEGMENT	
168	84	12	1-2324271-2	LGA4189-4 LFFT SEGMENT	

SOCKET QTY PER OUTER BOX	SOCKET QTY PER INNER BOX	SOCKET QTY PER TRAY	ORDER PART NUMBER	PRODUCT NAME

THIS DRAWING IS A CONTROLLED DOCUMENT.

DWN	-	TE Connectivity SOCKET ASSY LGA4189-X	RESTRICTED TO	
CHK	-			
APVD	-			
NAME	-			
PRODUCT SPEC	-	SIZE	CAGE CODE	DRAWING NO
APPLICATION SPEC	-	A2	00779	G-2324271
MATERIAL	-	WEIGHT	-	-
FINISH	-	CUSTOMER DRAWING	SCALE	N7S
		SHEET	7	OF 7
		REV	A	

X-ON Electronics

Largest Supplier of Electrical and Electronic Components

Click to view similar products for [IC & Component Sockets](#) category:

Click to view products by [TE Connectivity](#) manufacturer:

Other Similar products are found below :

[0066-3-17-15-30-14-02-0](#) [670](#) [672](#) [673](#) [694-13-640-00-672-000](#) [712-93-120-41-001000](#) [714-93-104-31-018000](#) [8059-4G1-LF](#) [807-22-001-10-001101](#) [807-22-001-10-006101](#) [807-22-001-30-011101](#) [807-22-001-30-012101](#) [807-22-001-30-013101](#) [807-22-001-30-014101](#) [8-1437531-4](#) [8150-6P10](#) [833-93-034-10-001000](#) [851-41-006-10-001000](#) [851-43-008-20-001000](#) [851-43-014-20-001000](#) [851-93-006-20-001000](#) [851-93-010-20-001000](#) [853-43-020-10-001000](#) [86.010.0053.0](#) [116-43-308-41-007000](#) [PX-68LCC](#) [121-13-318-41-001000](#) [121-13-320-41-001000](#) [121-13-308-41-001000](#) [123-43-314-41-801000](#) [123-43-420-41-001000](#) [122-13-316-41-001000](#) [123-13-624-41-001000](#) [123-43-306-41-001000](#) [12-3513-11](#) [123-91-320-41-001000](#) [126-43-310-41-002000](#) [AKSUN 37V-T](#) [1437503-9](#) [1437504-1](#) [146-44-308-41-013000](#) [146-43-308-41-012000](#) [160-10-308-00-001000](#) [160-40-320-00-001000](#) [214-99-306-01-670800](#) [232-1270-02-0602](#) [2-382761-4](#) [2-5331677-4](#) [2-640360-3](#) [2801-2-00-50-00-00-07-0](#)