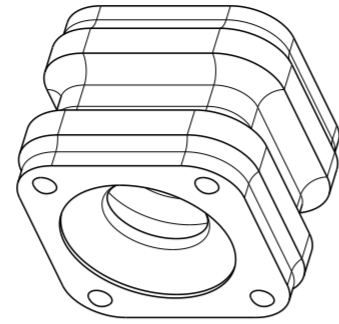
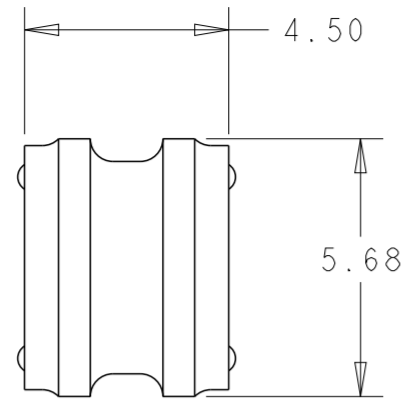
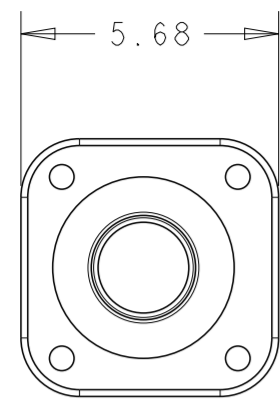
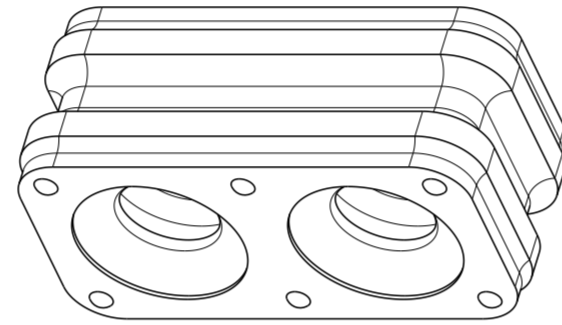
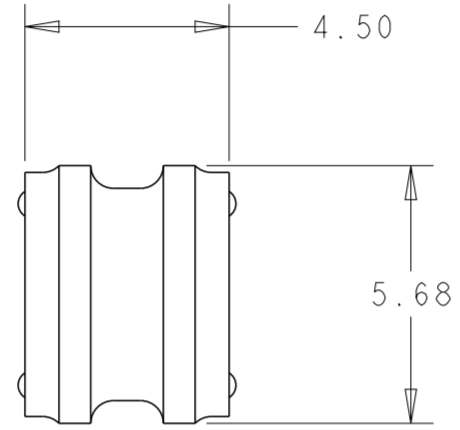
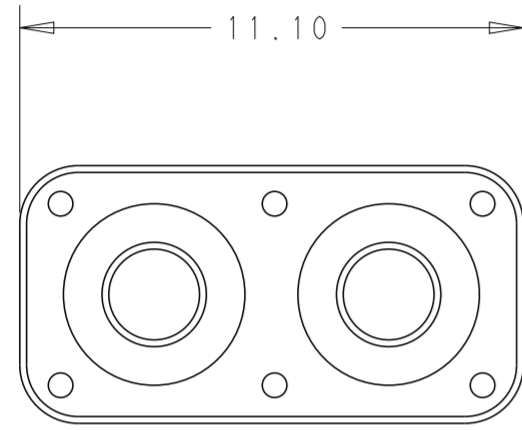


THIS DRAWING IS UNPUBLISHED. RELEASED FOR PUBLICATION 2018  
 © COPYRIGHT 2018 BY - ALL RIGHTS RESERVED.

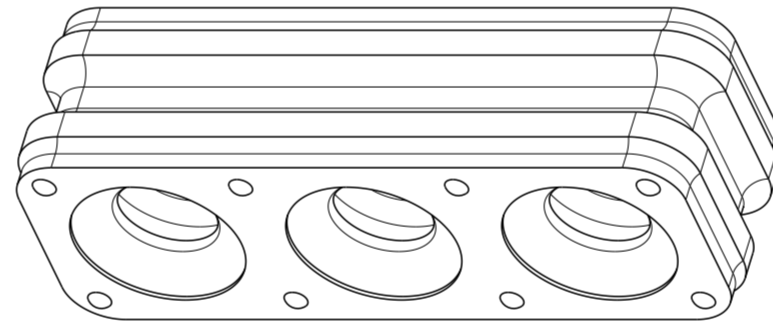
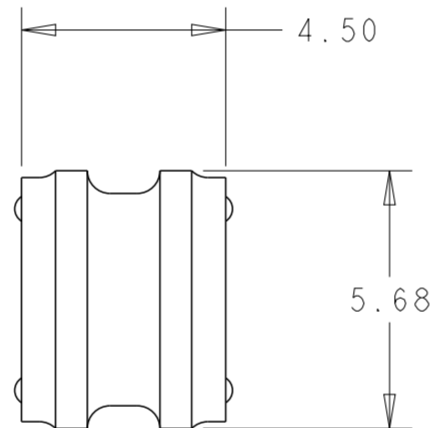
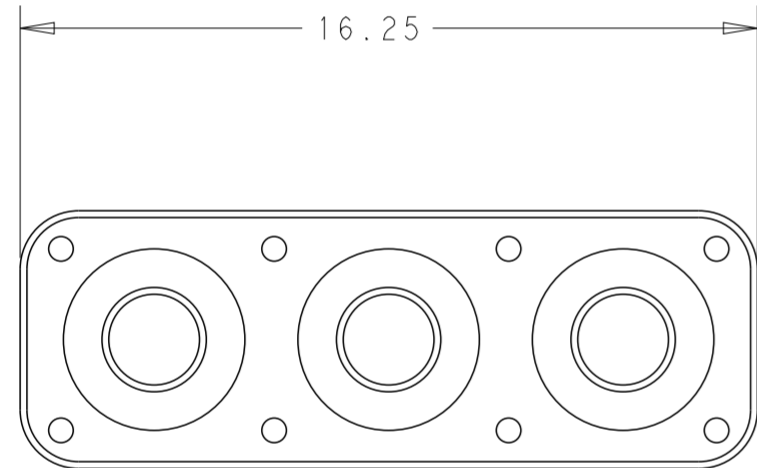
REVISIONS				
P	LTR	DESCRIPTION	DATE	APVD
	A	RELEASED PER ECO-19-016370	25OCT2019	BKW DS
	A1	REVISED PER ECR-20-100211	08AUG2020	JP VS
	A2	REVISED PER ECR-22-126000	07JAN2022	SS VS
	A3	REVISED PER ECR-22-146203	18JUL2022	AVN VS



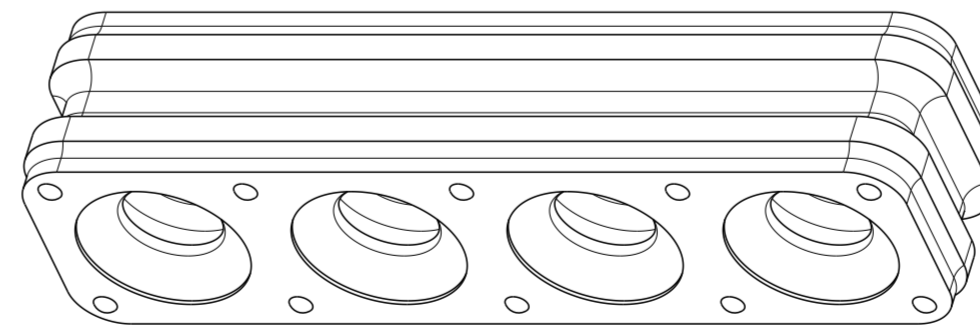
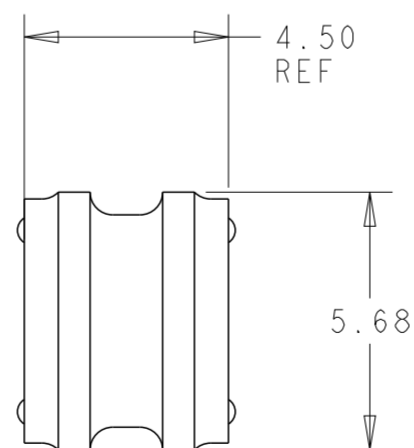
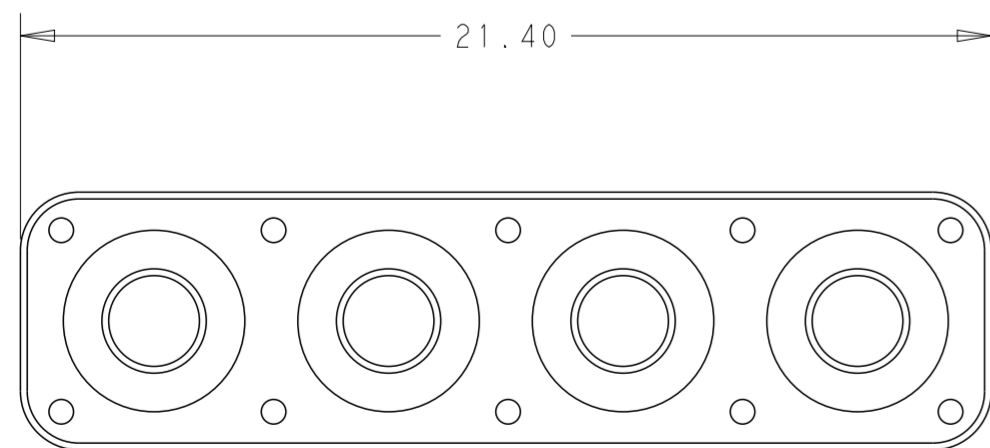
1\*1 POSITION



1\*2 POSITION



1\*3 POSITION



1\*4 POSITION

1 MATERIAL: SILICONE RUBBER, INHERENTLY LUBRICATED  
 COLOR - SEE CHART

2 SEE CHART FOR INSULATION OD RANGE

3 MATING CONNECTOR P/N'S:  
 CAP HSG - \*-2325350-\*/\*-2325043-\*/\*-2336231-\*/  
 \*-2337219-\*/\*-2345729-1  
 PLUG HSG - \*-2332040-\*/\*-2336229-\*/\*-2345728-1  
 CONTACTS - 2329907-\*/2329908-\*/2329911-\*/2329914-\*/  
 2329916-\*/2329917-\*/  
 BACK COVER (OPTIONAL) - 2324614-\*/2340648-6

4 PRELIMINARY PART - NOT RELEASED FOR PRODUCTION  
 THIS PRODUCT HAS NOT COMPLETED QUALIFICATION TESTING

5 THIS PRODUCT HAS NOT COMPLETED QUALIFICATION TESTING

GREEN	1.30-2.40	1*4	4 1-2325349-4
GREEN	1.30-2.40	1*3	5 1-2325349-3
GREEN	1.30-2.40	1*2	4 1-2325349-2
GREEN	1.30-2.40	1*1	4 1-2325349-1
BLUE	2.45-3.60	1*4	5 2325349-4
BLUE	2.45-3.60	1*3	2325349-3
BLUE	2.45-3.60	1*2	2325349-2
BLUE	2.45-3.60	1*1	2325349-1
COLOR 1	INSULATION OD RANGE 2	POSITIONS	PART NUMBER

THIS DRAWING IS A CONTROLLED DOCUMENT.

DIMENSIONS:	TOLERANCES UNLESS OTHERWISE SPECIFIED:	DWN B. WEAVER 15 JUN 2018	TE Connectivity
mm	0 PLC ±	CHK S. FERNANDES 15 JUN 2018	
	1 PLC ±	APVD C. YI 15 JUN 2018	
	2 PLC ±0.50	PRODUCT SPEC 108-143081	
	3 PLC ±	APPLICATION SPEC 114-143082	NAME GANG SEAL, POWER VERSA-LOCK
	4 PLC ±	WEIGHT -	SIZE A2 CAGE CODE 00779 DRAWING NO C-2325349 RESTRICTED TO -
MATERIAL 1	FINISH -	CUSTOMER DRAWING	SCALE 6:1 SHEET 1 OF 1 REV A3

## X-ON Electronics

Largest Supplier of Electrical and Electronic Components

*Click to view similar products for [Heavy Duty Power Connectors](#) category:*

*Click to view products by [TE Connectivity](#) manufacturer:*

Other Similar products are found below :

[6646058-2](#) [6646137-1](#) [6646138-1](#) [6646940-1](#) [6651091-1](#) [6651525-1](#) [6651529-1](#) [696475-1](#) [702-32-01109](#) [73080255059](#) [73080965046](#)  
[7310205040001](#) [765-16-0080B](#) [765-18-0080D](#) [902-77-02113](#) [PS00/A0620/6300](#) [AN0024023](#) [154-42B7WM250](#) [MS3117-14AC](#) [1643543-1](#)  
[1766966-1](#) [1791340000](#) [NLDFT-3-BL-L-S120-M40A](#) [NLDFT-N-W-L-C240-M40B](#) [1926015-1](#) [NLS-3-BL-C240-M40B](#) [NLS-N-W-C240-](#)  
[M40B](#) [NPS-3-BL-T6](#) [2-1589900-8](#) [9300480317](#) [294-0091-01100](#) [296-0040-01100](#) [1-6609148-0](#) [A32595-0049](#) [1766249-1](#) [19000005132](#)  
[1926016-1](#) [1-966831-8](#) [AN0024202](#) [AN0264023](#) [279-0841-10100A](#) [281-0334-00100A](#) [RMSB4](#) [419-2083-301](#) [LCDX4/0-14B-X](#) [075-8519-](#)  
[001](#) [078238-1613](#) [07.470.3256.0](#) [09000005288](#) [09140240311](#)