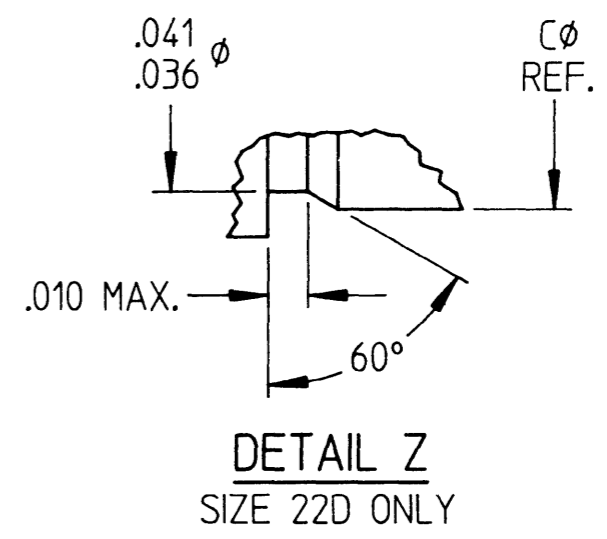
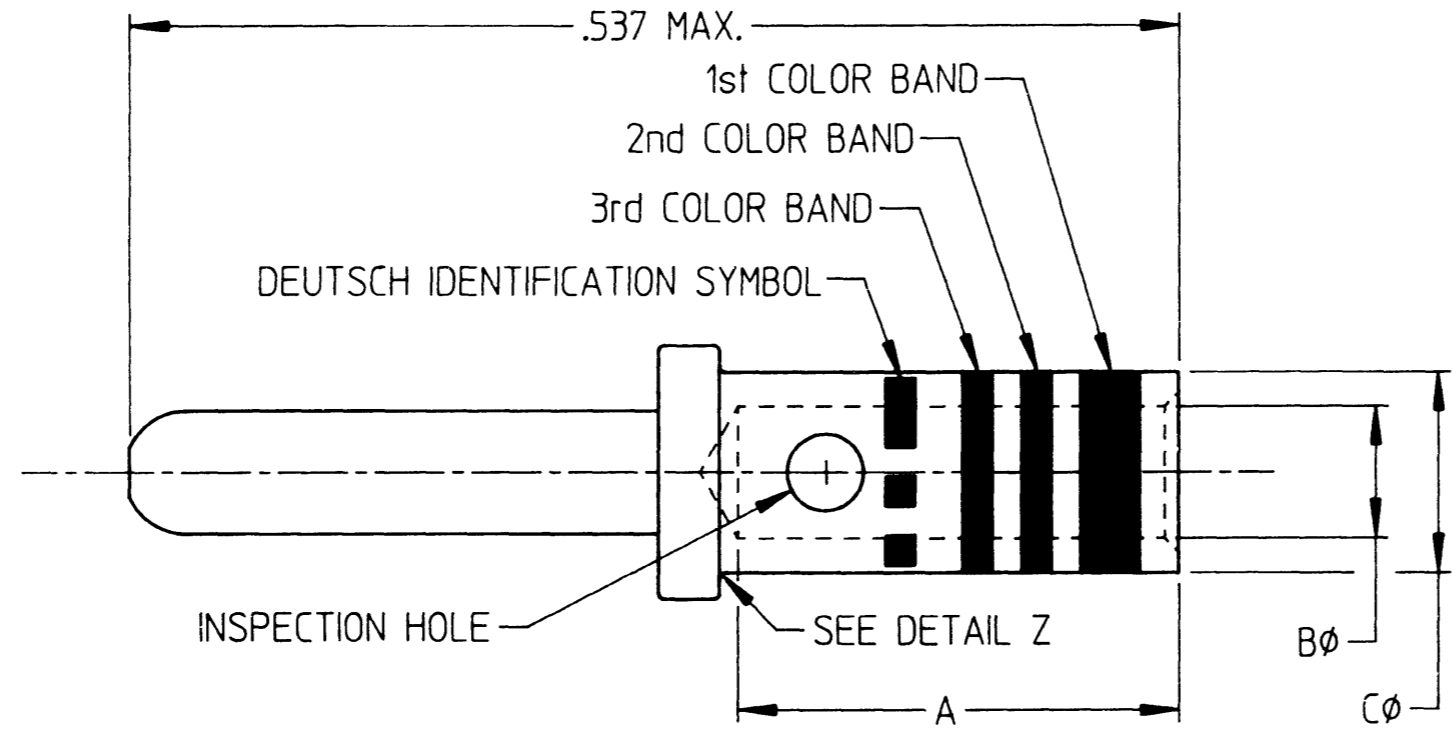


C	12331-**	REVISIONS		
		REV	DESCRIPTION	DATE
C		REVISED AND REDRAWN PER E.O. A12762	4-15-92	<i>[Signature]</i>



DEUTSCH PART NO. **	MILITARY PART NO.	COLOR BANDS			SIZE	WIRE GAGE RANGE	RECOMMENDED STRIP LENGTH	CRIMP TOOL	POSITIONER	A MIN.	B MIN.	C MAX.
		1st	2nd	3rd								
12331-22	MIL-C-39029/107-620	BLUE	RED	BLACK	22D	22, 24, 26, 28	.160 TO .190	M22520/2-01 M22520/7-01	M22520/2-09 M22520/7-07	.141	.0335	.048
12331-20	MIL-C-39029/107-621	BLUE	RED	BROWN	20	20, 22, 24	.230 TO .260	M22520/1-01 M22520/7-01	M22520/1-04 RED M22520/2-10 M22520/7-08	.209	.046	.070
12331-16	MIL-C-39029/107-622	BLUE	RED	RED	16	16, 18, 20	.230 TO .260	M22520/1-01 M22520/7-01	M22520/1-04 BLUE M22520/7-04	.209	.066	.103
12331-12	MIL-C-39029/107-623	BLUE	RED	ORANGE	12	12 AND 14	.230 TO .260	M22520/1-01	M22520/1-04 YELLOW	.209	.098	.151

- NOTE:
1. DIMENSIONS ARE IN INCHES UNLESS OTHERWISE SPECIFIED.
 2. FINISH: DEUTSCH ALLOY OVER NICKEL PER QQ-N-290.
 3. MATERIAL: COPPER ALLOY PER MIL-C-39029, COMPOSITION A.

SIGNATURE & DATE	
DR	R. GROSS 3-25-92
CHK	<i>Jo Powell</i> 4-15-92
PE	R. Gross 3-25-92
APPD	
SCALE	NONE
WT	

CONTACT, PIN
CRIMP TYPE

SIZE 22D THRU 12 FOR DG123
38999 INSERT TYPE CONNECTOR

ENVELOPE

CP	MATL CODE
DEUTSCH ENGINEERED CONNECTING DEVICES Municipal Airport Banning, California	
B	12331-**
DWG SIZE	CODE 1139 SHEET 1 OF 1

12331-XXENV_C

X-ON Electronics

Largest Supplier of Electrical and Electronic Components

Click to view similar products for [TE Connectivity](#) manufacturer:

Other Similar products are found below :

[D38999/24FJ4AN](#) [570416-000](#) [CLTEQ-M81CE-SSRELAY-4-20V](#) [4-1195131-0](#) [650069-000](#) [SMD100-2](#) [358838-000](#) [CB-1022B-78](#)
[RM707012](#) [RP410012](#) [MMS42](#) [1-640426-8](#) [2EDL4CM](#) [DTS20W19-11PD-3028-LC](#) [RM202615](#) [NC6-P104-06](#) [MSPS103B](#) [DTS26F21-41HE-LC](#) [DTS26F21-41AE](#) [DTS26F21-41PE-LC](#) [DTS26F21-11SE-3028-LC](#) [30DCB6](#) [1932144-1](#) [293545-4](#) [LVR125S](#) [MS27466T25F4PB](#)
[CKB-38-78010](#) [TR04AI-TINELLOCKRING](#) [1206SFF150F/63-2](#) [D38999/20JB35HA](#) [TE1500A2R2J](#) [D38999/20WC8BB](#) [DTS24F19-11SC-3028-LC](#) [D38999/24WG11HA](#) [D38999/24WG11HN](#) [MS27467T21F11H](#) [DJT16E21-11HA](#) [MS27467T21F35J](#) [MS27467T21F11J](#)
[MS27467T21F16H-LC](#) [MS27467T21F35H](#) [MS27467T21F41H-LC](#) [1206SFH150F/24-2](#) [RP330024](#) [DJT16E21-11PA-LC](#) [DJT16E21-11HA-LC](#) [DJT16E21-11AA](#) [MS27467T21B11JA](#) [DJT16E21-11JA](#) [MS27467T21B11JA-LC](#)