

4

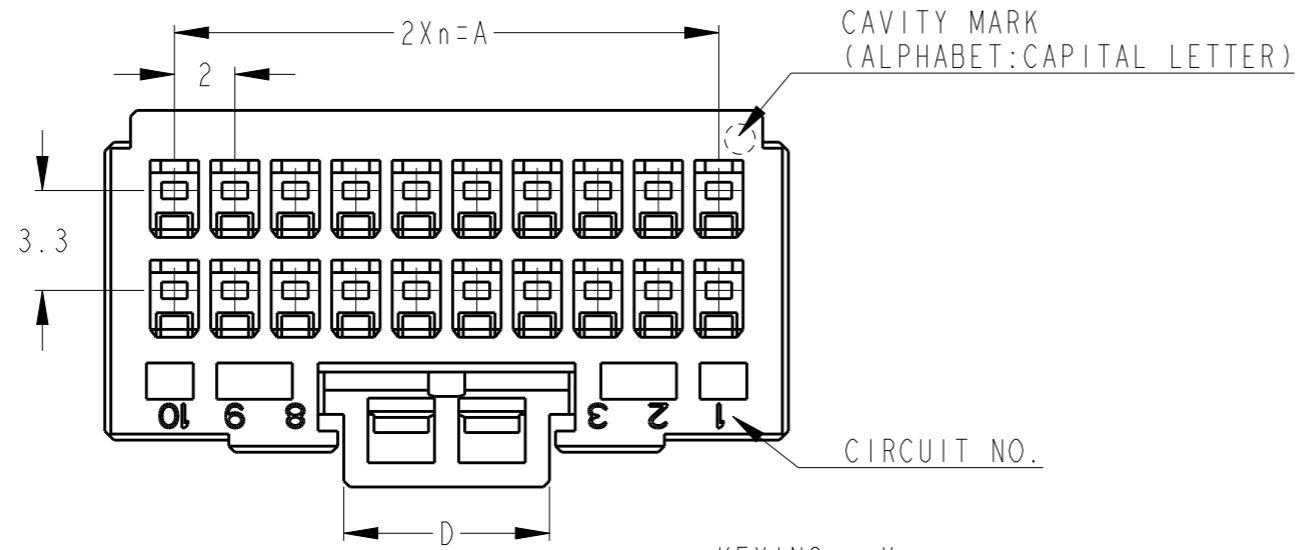
3

2

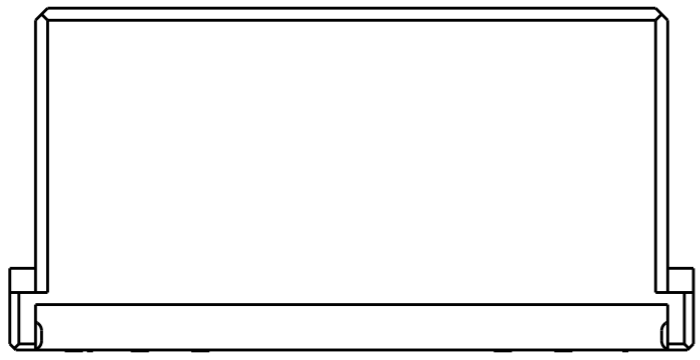
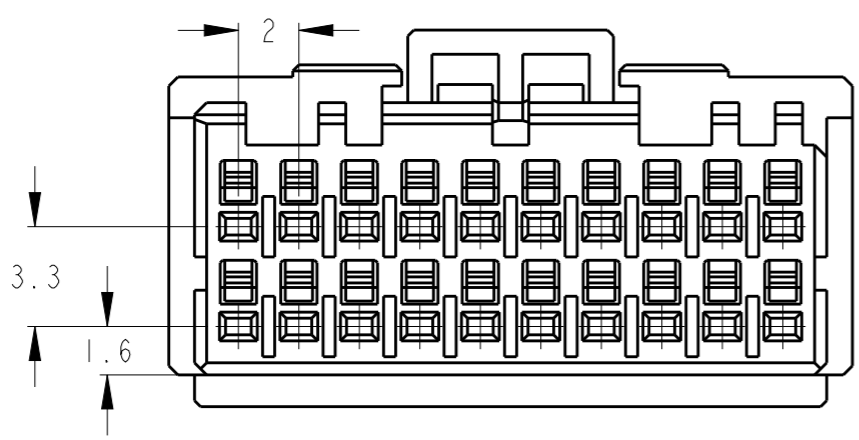
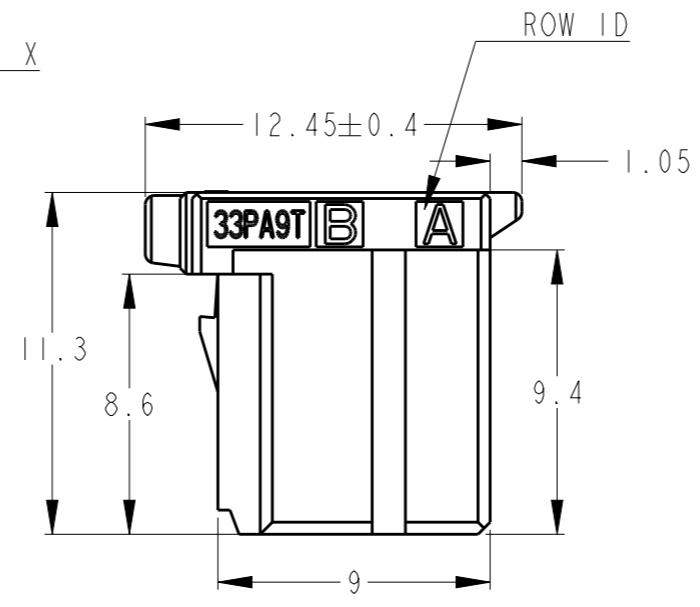
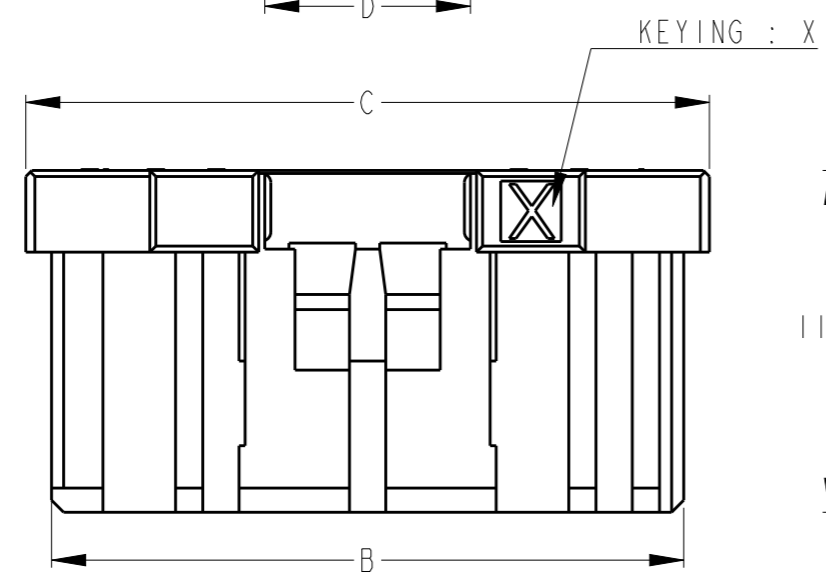
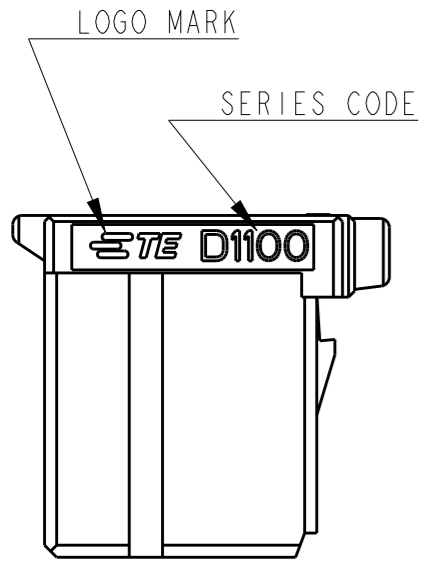
1

THIS DRAWING IS UNPUBLISHED. RELEASED FOR PUBLICATION 2005
COPYRIGHT 2005 ALL RIGHTS RESERVED.

LOC		DIST		REVISIONS			
P	LTR	DESCRIPTION	DATE	DWN	APVD		
	A	INITIAL	16MAR2018	F.Z	R.B		
	B	LOGO CHANGE; RESIN MARK ADD	08aug2018	F.Z	R.B		



AS SHOWN
20POS(X-KEY) : 1-2333149-0



- 1. MATERIAL: GLASS FILED THERMO PLASTIC POLYESTER(94V-0), COLOR: BLACK
- 2. THE SHAPE, SIZE AND POSITION OF THE CHARACTER SHOW THE OUTLINE. THEY DON'T SHOW DETAILS.
- 3. DIFFERENT HEIGHT OF LOCK PROTECTOR. A FINGERTIP IS STOOD AND PUSHED WHEN OPERATING A LOCK LEVER

20	X	9	18.0	20.9	22.6	6.8	1-2333149-0
18	X	8	16.0	18.9	20.6	8.1	1-2333149-9
10	X	4	8.0	10.9	12.6	3.6	1-2333149-5
10	X	4	8.0	10.9	12.6	3.6	9-2333149-5 3
POS	KEY	n	A	B	C	D	PART NO

THIS DRAWING IS A CONTROLLED DOCUMENT.

DIMENSIONS: mm	TOLERANCES UNLESS OTHERWISE SPECIFIED: ±0.3, ±3°	DWN Fisher ZHU 09-Aug-18	STE TE Connectivity
	0-PLC ± 1-PLC ± 2-PLC ± 3-PLC ± 4-PLC ± ANGLES ±	CHK Rick BIAN 09-Aug-18	
MATERIAL 1	FINISH -	APVD Rick BIAN 09-Aug-18	
		PRODUCT SPEC 108-78268, 78298	
		APPLICATION SPEC 114-5377	NAME DYNAMIC D1100D 2.0mm PITCH REC HSG 10-20 POS
		WEIGHT	SIZE A3
		Customer Drawing	CAGE CODE 00779
			DRAWING NO C-2333149
			RESTRICTED TO
			SCALE 4:1
			SHEET 1 OF 3
			REV B

THIS DRAWING IS UNPUBLISHED.

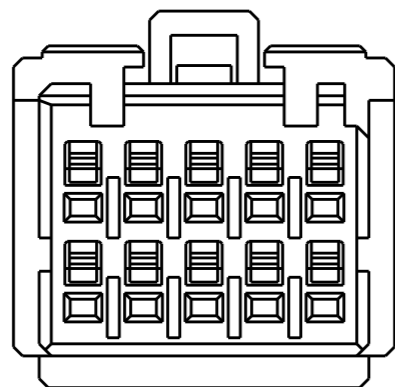
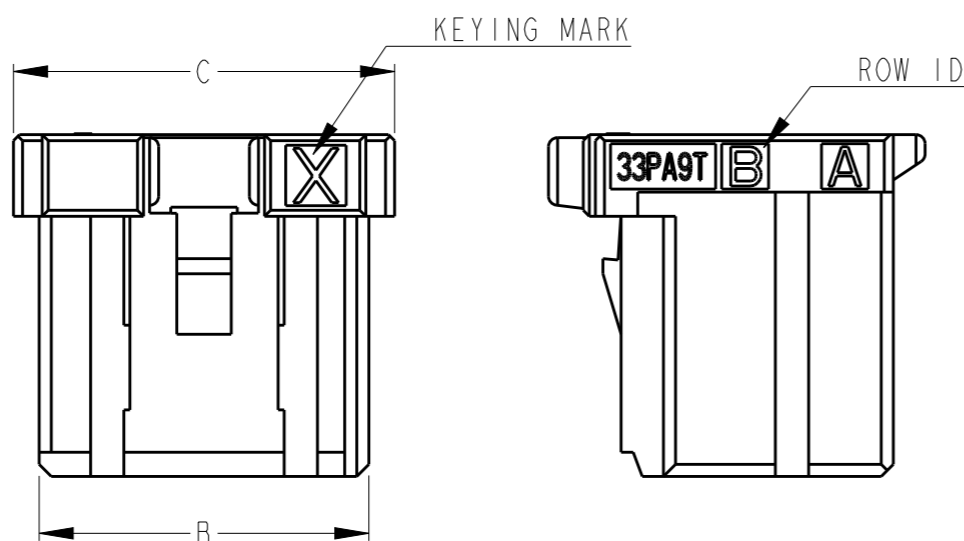
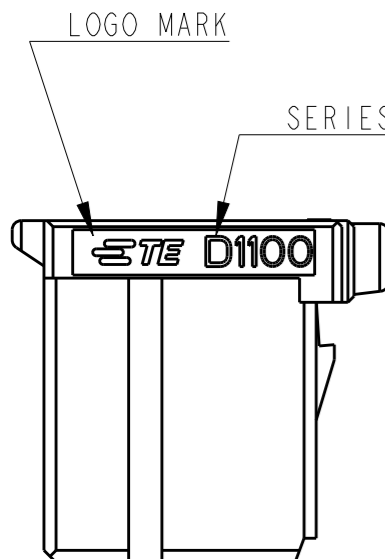
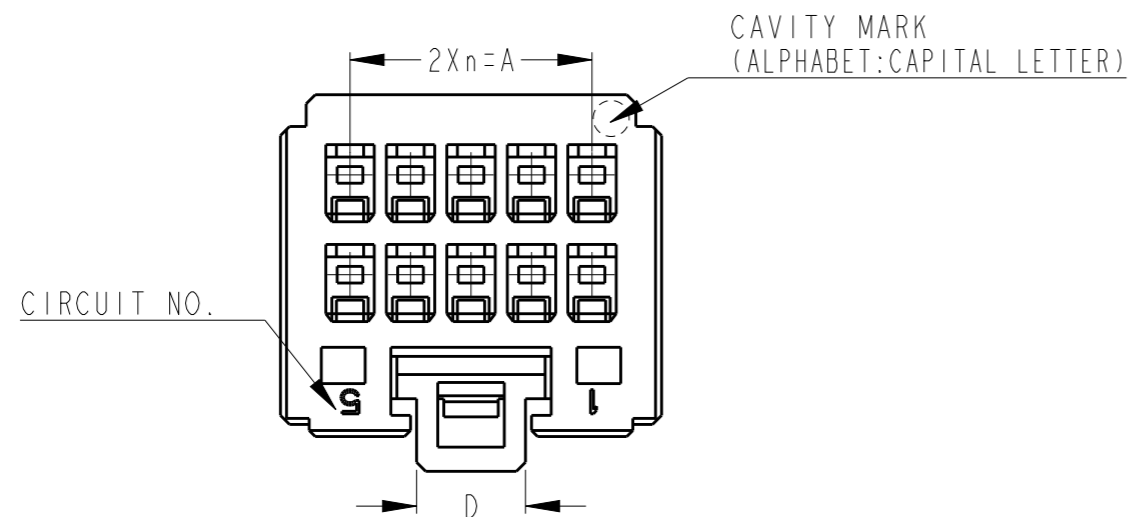
RELEASED FOR PUBLICATION

2005

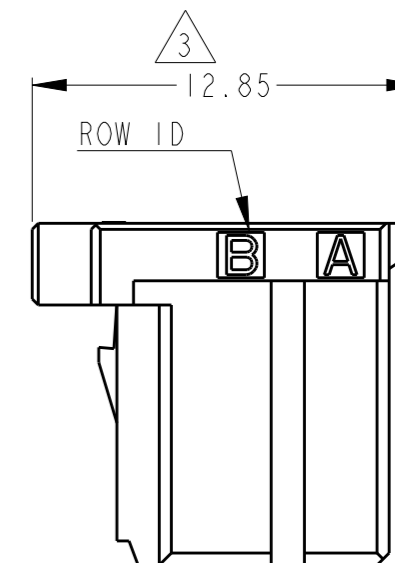
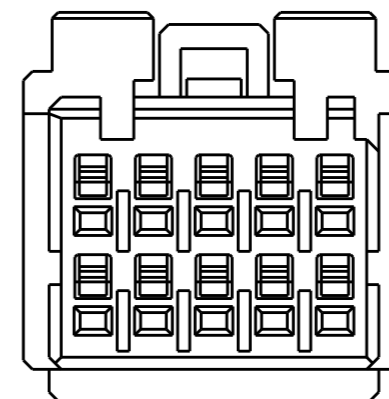
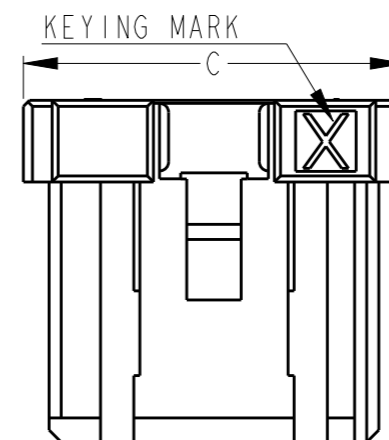
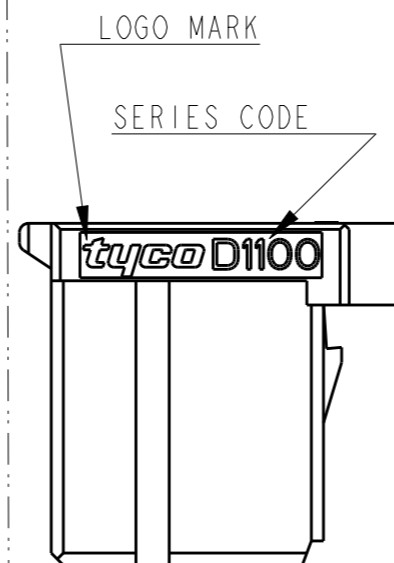
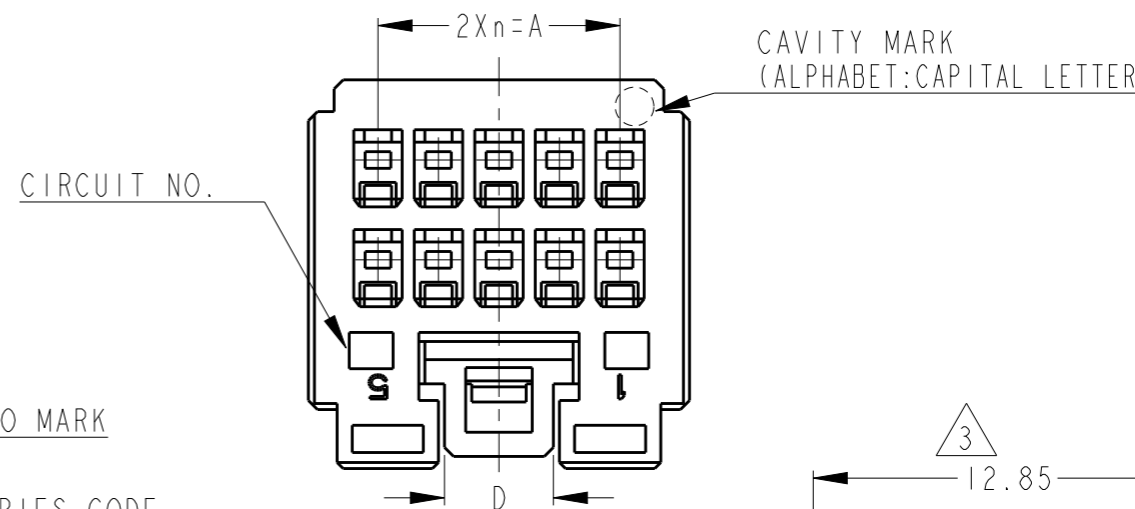
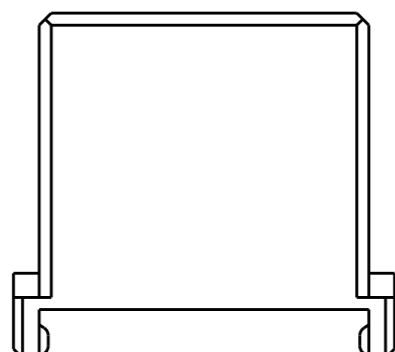
© COPYRIGHT 2005

ALL RIGHTS RESERVED.

LOC	DIST	REVISIONS			
P	LTR	DESCRIPTION	DATE	DWN	APVD
-	-	SEE SHEET 1	-	-	-



10POS(X-KEY)
1-2333149-5



10POS(X-KEY)
9-2333149-5

THIS DRAWING IS A CONTROLLED DOCUMENT.		DWN	-	STE TE Connectivity
DIMENSIONS: mm		CHK	-	
TOLERANCES UNLESS OTHERWISE SPECIFIED:		APVD	-	NAME DYNAMIC D1100D 2.0mm PITCH REC HSG 10-20 POS
0 PLC ±.		PRODUCT SPEC	-	
1 PLC ±.		APPLICATION SPEC	-	SIZE
2 PLC ±.		WEIGHT	-	A3
3 PLC ±.		Customer Drawing	-	CAGE CODE
4 PLC ±.			-	00779
ANGLES ±.			-	DRAWING NO
FINISH			-	C-2333149
MATERIAL			-	RESTRICTED TO
			-	
			-	SCALE
			-	4:1
			-	SHEET
			-	2 OF 3
			-	REV
			-	B

THIS DRAWING IS UNPUBLISHED.

RELEASED FOR PUBLICATION

2005

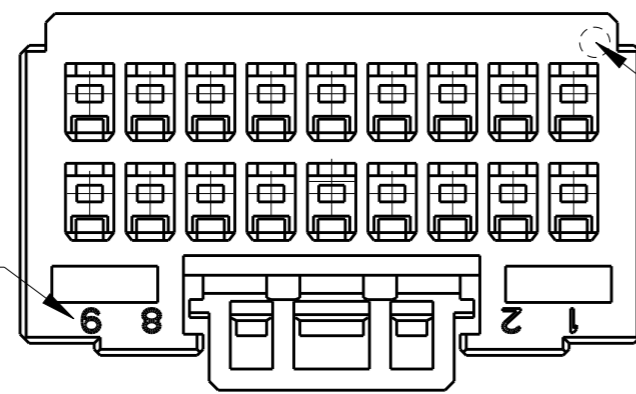
© COPYRIGHT 2005

ALL RIGHTS RESERVED.

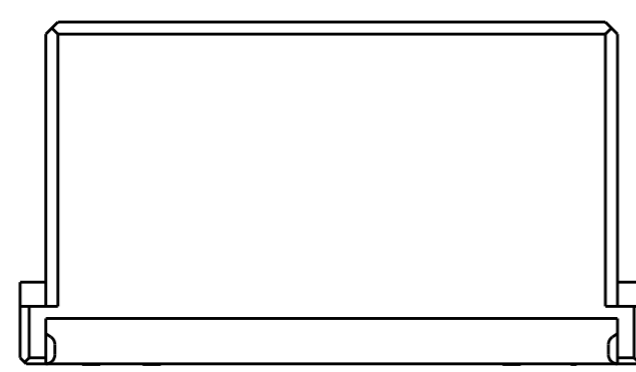
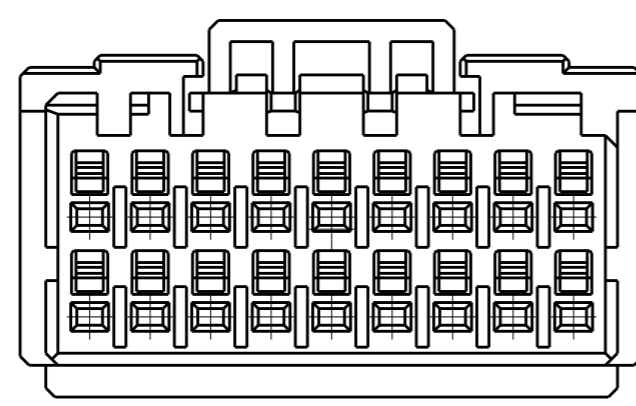
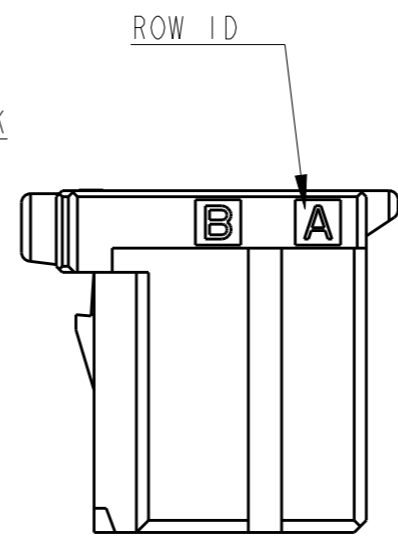
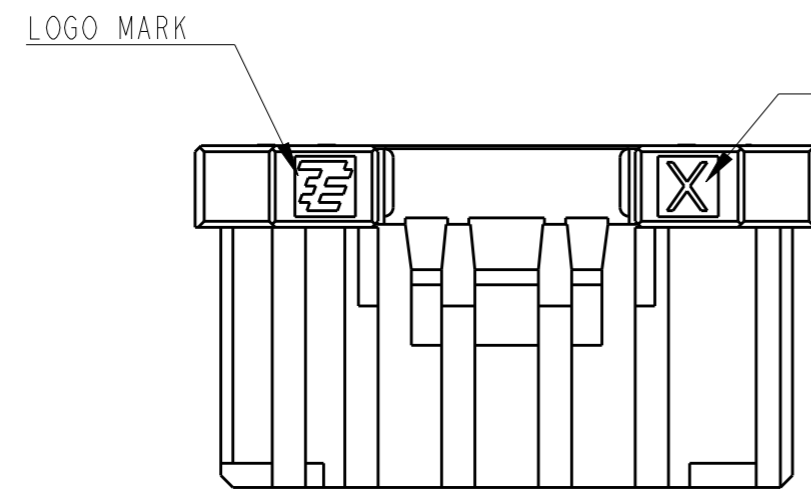
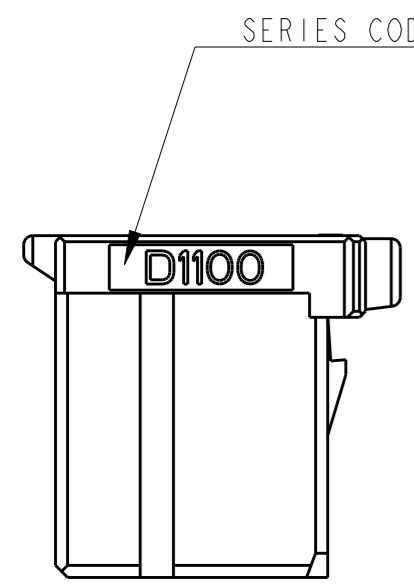
LOC DIST

REVISIONS

P	LTR	DESCRIPTION	DATE	DWN	APVD
-	-	SEE SHEET 1	-	-	-



AS SHOWN
18POS(X-KEY) : 1-2333149-9



THIS DRAWING IS A CONTROLLED DOCUMENT.

DIMENSIONS: mm	TOLERANCES UNLESS OTHERWISE SPECIFIED:
	0 PLC ±.1
	1 PLC ±.1
	2 PLC ±.1
	3 PLC ±.1
	4 PLC ±.1
	ANGLES ±.1
MATERIAL	FINISH

DWN	-
CHK	-
APVD	-
PRODUCT SPEC	-
APPLICATION SPEC	-
WEIGHT	-

STE TE Connectivity

NAME: DYNAMIC D1100D 2.0mm PITCH
REC HSG
10-20 POS

SIZE	CAGE CODE	DRAWING NO	RESTRICTED TO
A3	00779	C-2333149	-

Customer Drawing SCALE 4:1 SHEET 3 OF 3 REV B

X-ON Electronics

Largest Supplier of Electrical and Electronic Components

Click to view similar products for [Headers & Wire Housings](#) category:

Click to view products by [TE Connectivity](#) manufacturer:

Other Similar products are found below :

[892-18-020-10-001101](#) [58102-G61-06LF](#) [582553-1](#) [0009485154](#) [009176003701906](#) [0050291907](#) [LY20-4P-DT1-P1E-BR](#) [02.125.8002.8](#)
[609-3404](#) [61062-3](#) [61082-181009](#) [622-3653LF](#) [63453-116](#) [636-1030](#) [636-1427](#) [636-3427](#) [636-4007](#) [641938-9](#) [641991-4](#) [644827-2](#) [65817-010LF](#) [65817-015LF](#) [65863-015LF](#) [66207-023LF](#) [67095-007LF](#) [67601157](#) [68645-018](#) [68648-049](#) [70.362.1628.0](#) [70-4210](#) [70-4226B](#) [70-4853B](#) [707-5020](#) [707-5028](#) [71.350.2428.0](#) [71918-208LF](#) [71961-016LF](#) [733-134](#) [733-162](#) [754199-000](#) [760-3052](#) [787-8014-00](#) [79531-3000](#)
[FCN-360C032-B](#) [FCN-367T-T012/H](#) [FCN-723D010/2](#) [80.063.4001.1](#) [800-90-001-10-001000](#) [800-90-010-10-002000](#) [801-43-002-10-013000](#)