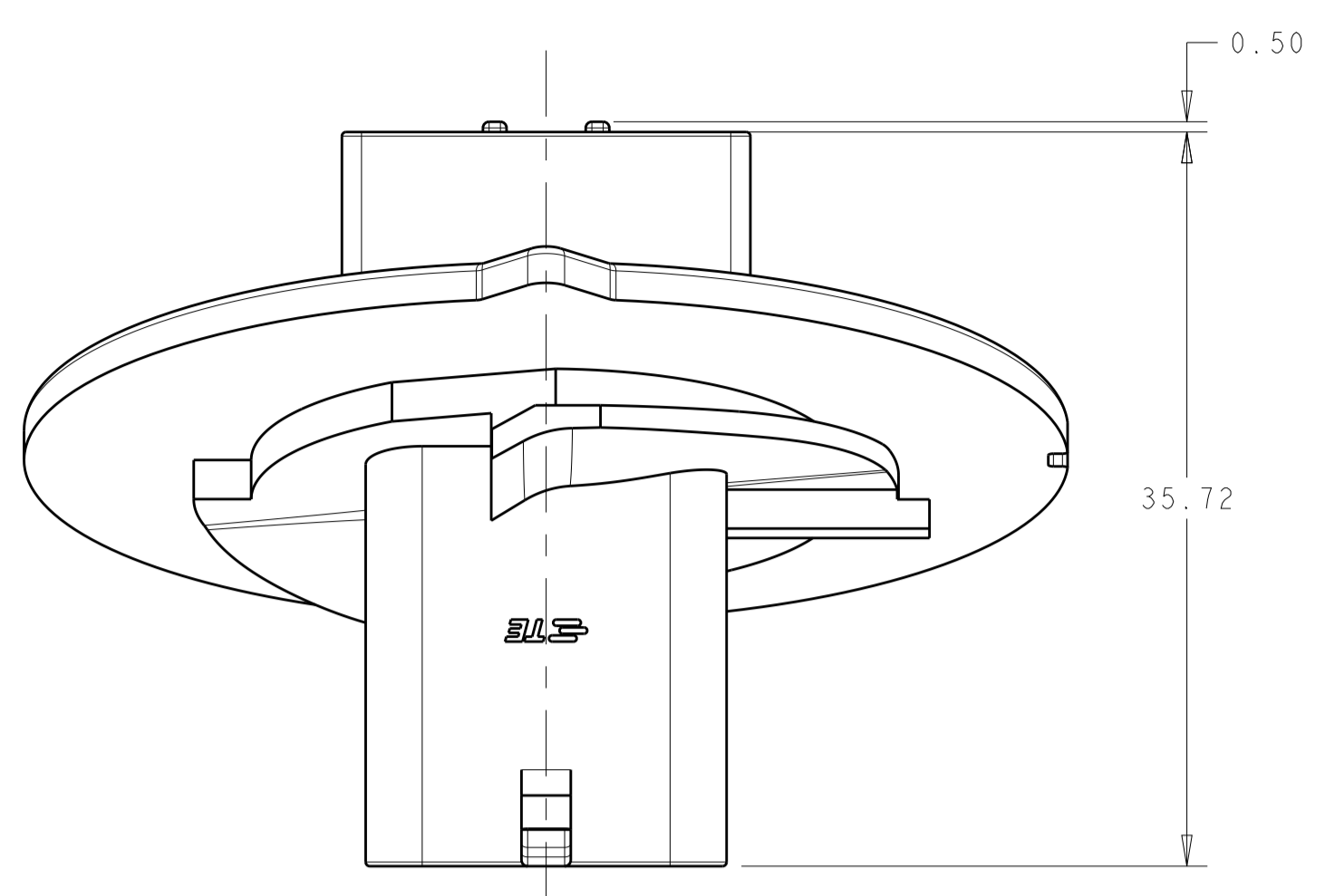
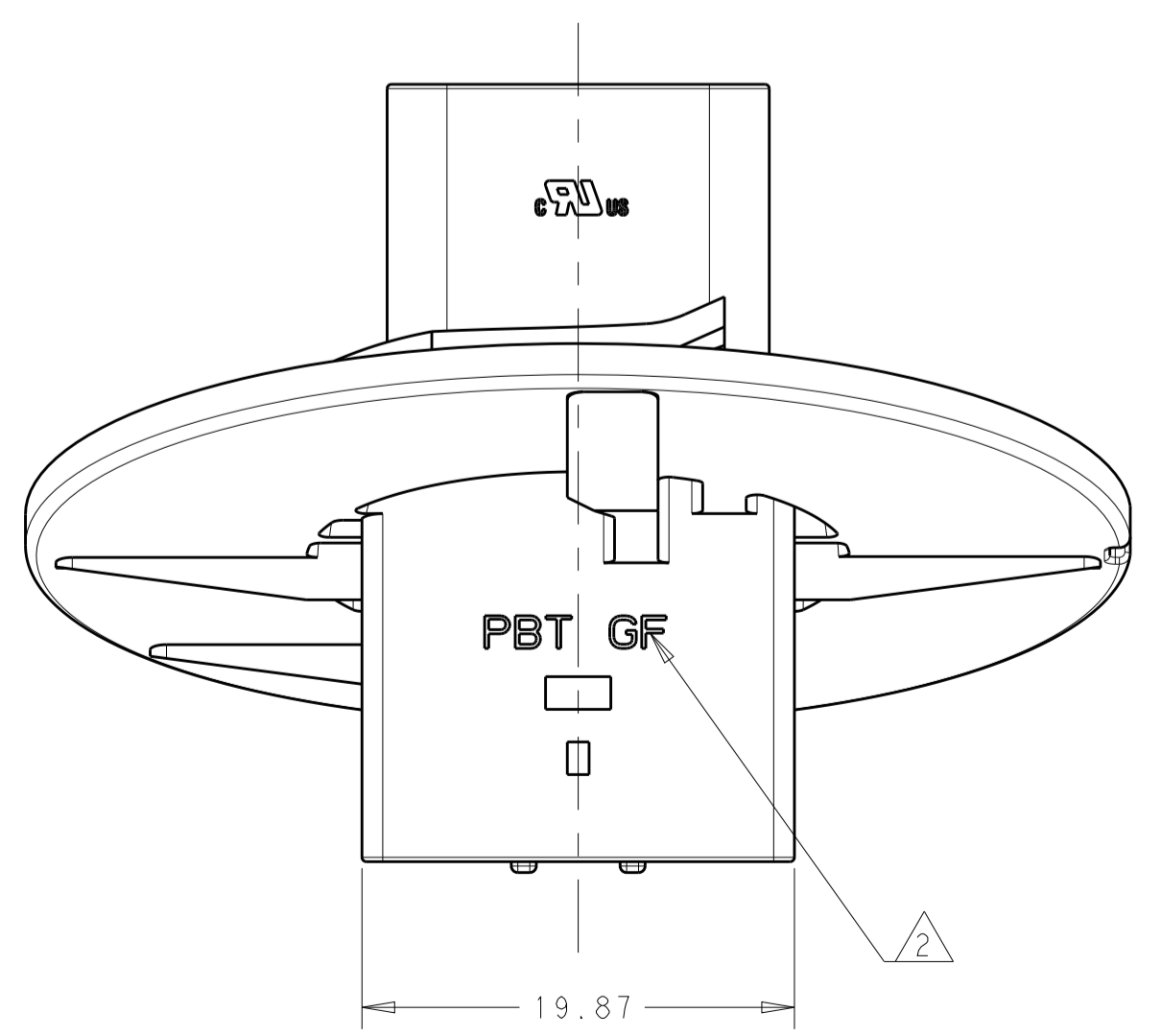
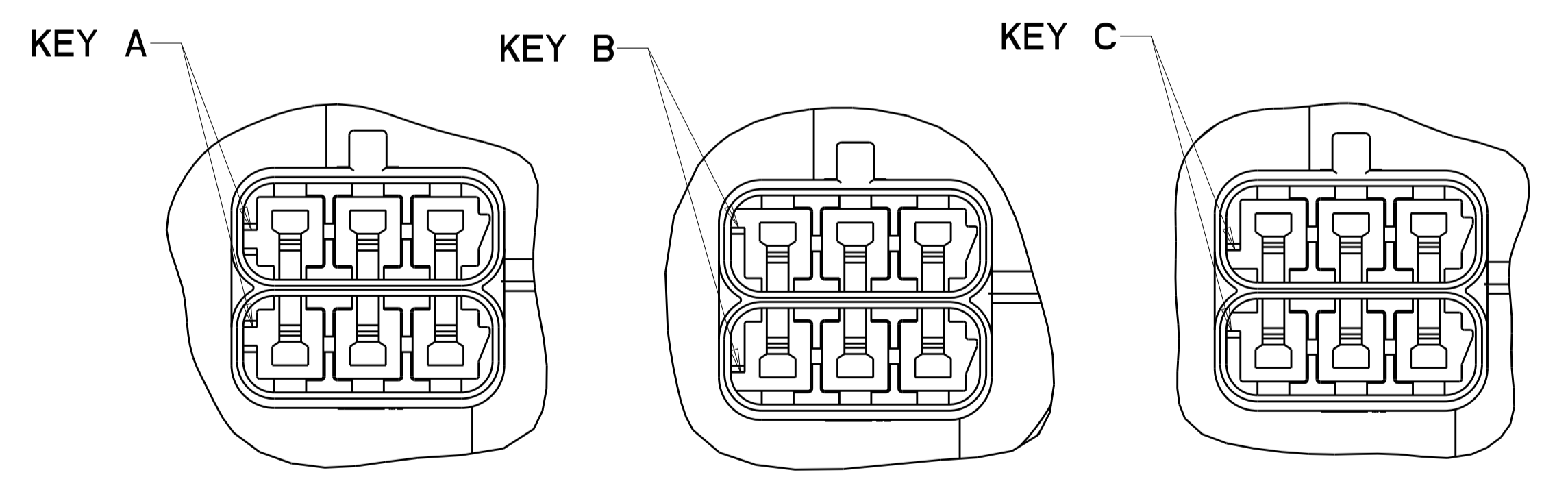
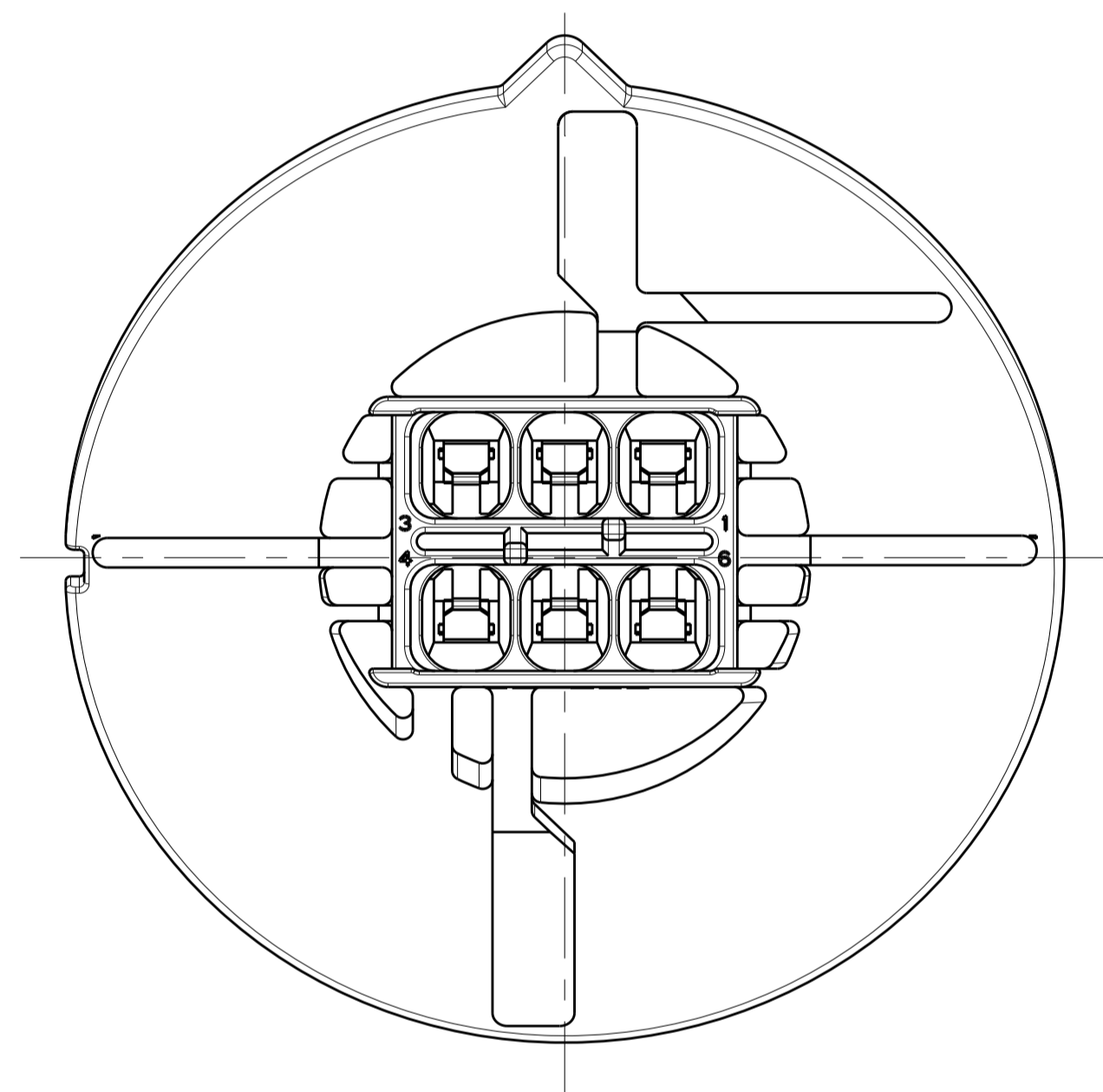
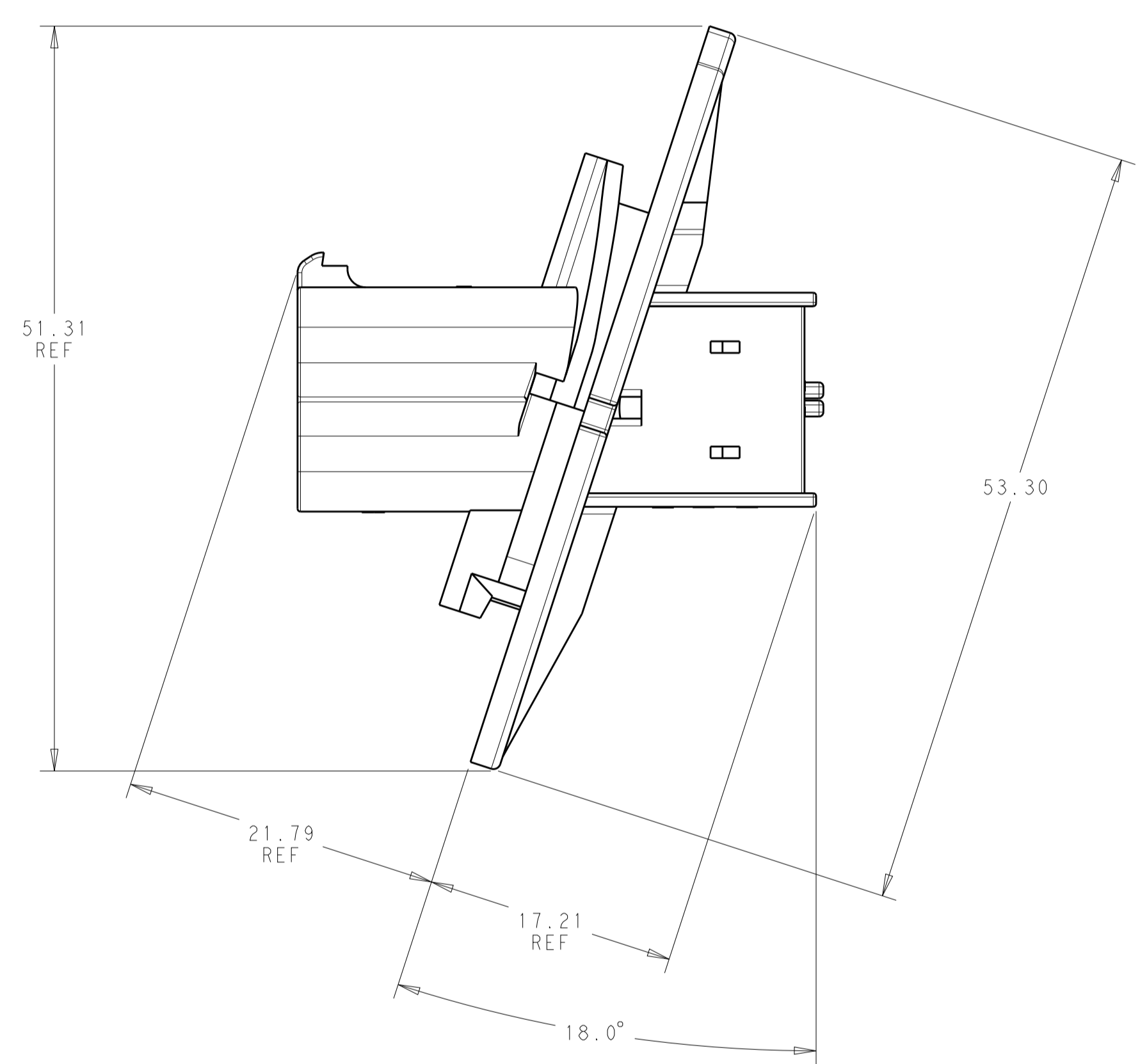
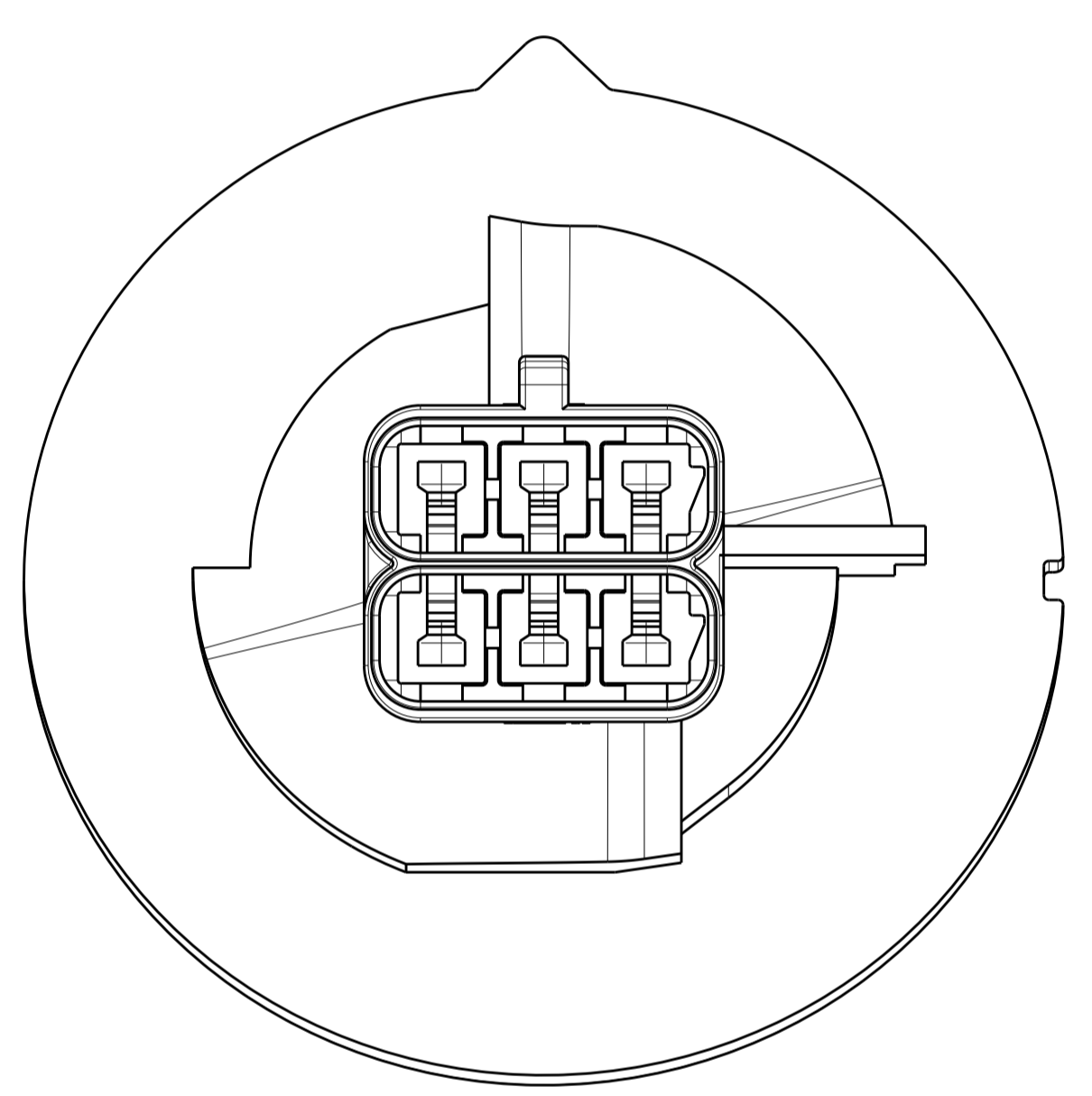


REVISIONS					
P.	LTN	DESCRIPTION	DATE	DWN	APVD
C1		REVISED PER ECO-19-013719	05SEP2019	BKW	GJ
C2		REVISED PER ECO-20-002758	21FEB2020	BKW	DS
C3		REVISED PER ECR-20-100211	07AUG2020	JP	VS
D		REVISED PER ECR-20-100662	08DEC2020	PC	DS



- 1 MATERIAL: PBT, GLASS FILLED
- 2 MATERIAL MARK: PBT GF
- 3. APPLICABLE CONTACT P/N:  
2329910-\*/2329907-\*/2329906-\*/2329908-\*/2329909-\*/2329911-\*/  
2337140-\*/2337139-\*
- 4. MATING CONNECTOR P/N  
PLUG HSG: \*-2336229-\*/\*-2337912-  
TPA: 2337218-6 (OPTIONAL)  
GANG SEAL: 2325349-3 (2 PER CAP) (OPTIONAL)
- 5 RECOMMENDED PANEL THICKNESS: 0.76-2.29mm. PANEL CUTOUT  
TO BE ROTATED DEPENDING ON PANEL THICKNESS.
- 6. PANEL MUST BE PUNCHED SO THAT THE HOUSING ENTERS THE PANEL  
IN THE SAME DIRECTION AS THE PUNCH
- 7. FLAMMABILITY RATING: UL94 V-0

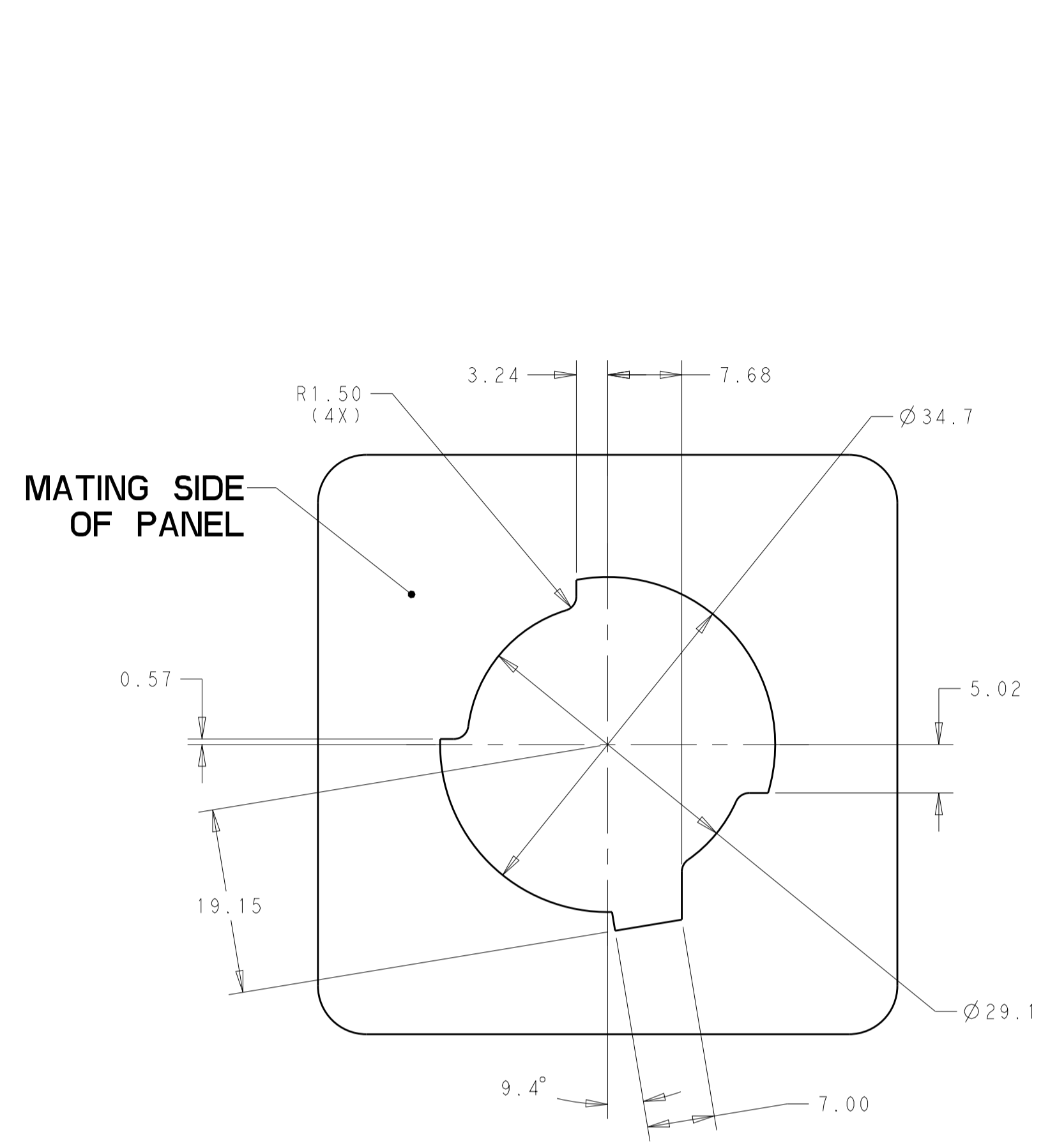


COLOR	KEYING	POSITIONS	PART NUMBER
BROWN	KEY C	2*3	3-2336231-6
LIGHT GRAY	KEY B	2*3	2-2336231-6
NATURAL	KEY A	2*3	1-2336231-6

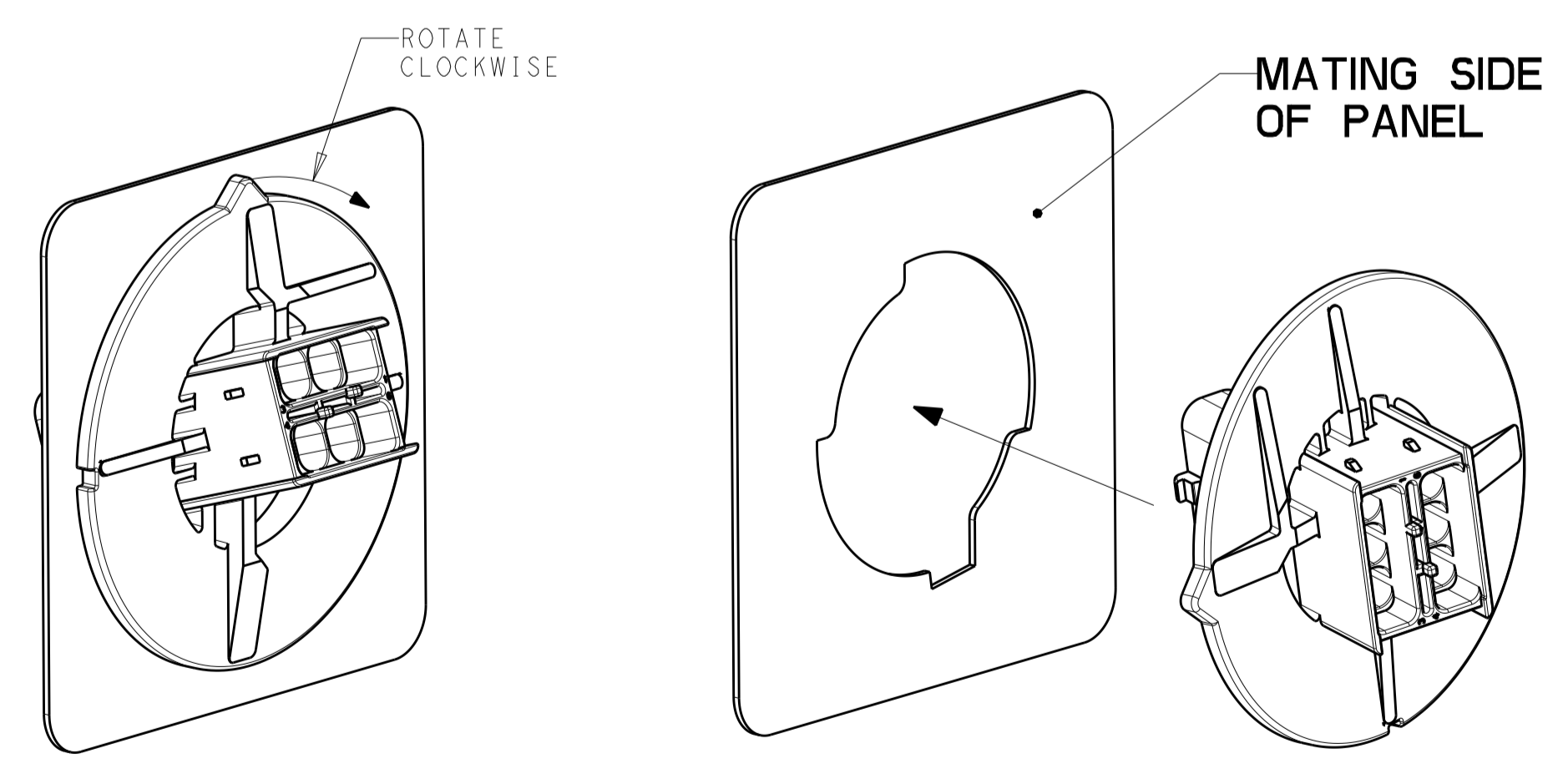
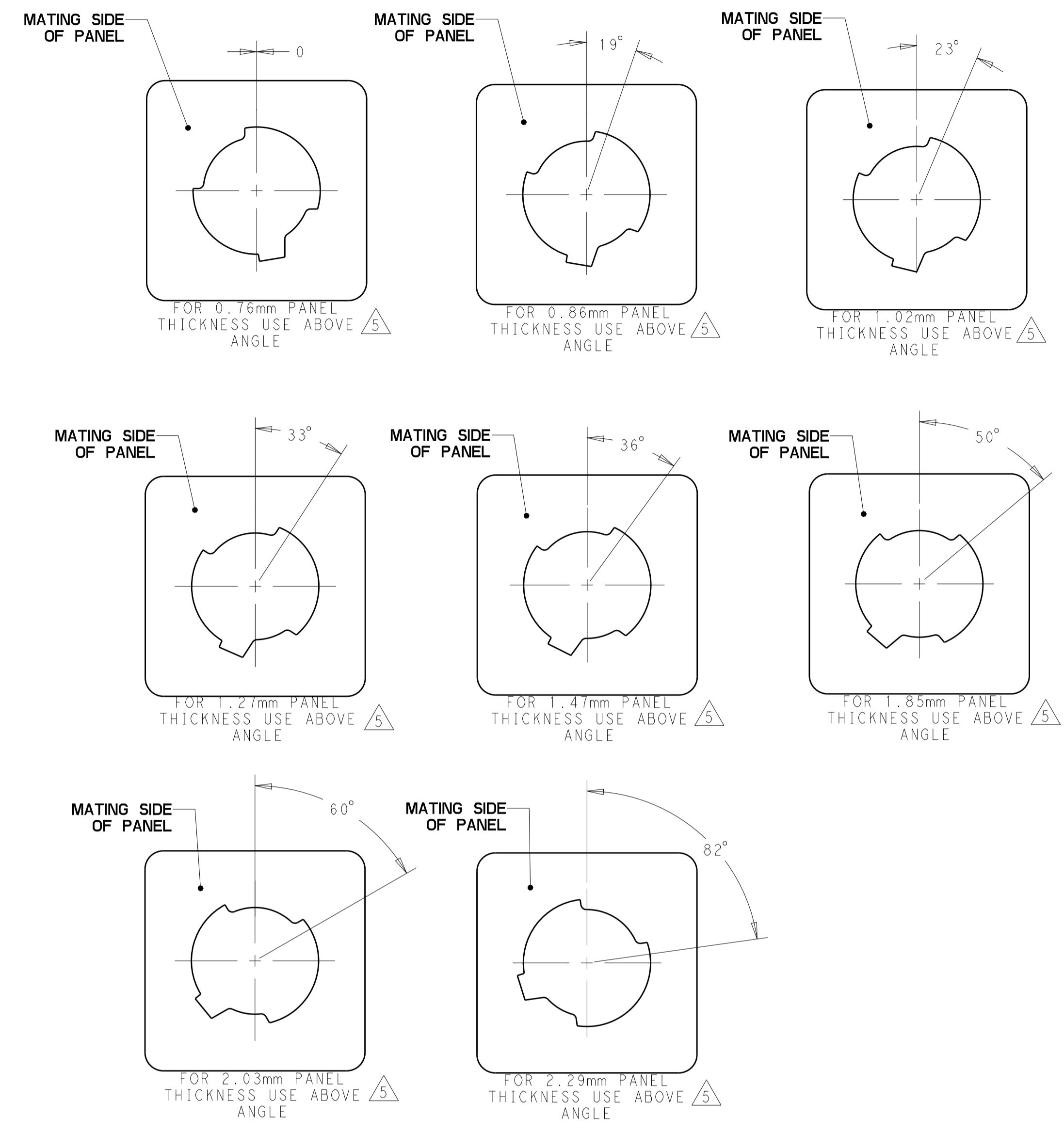
THIS DRAWING IS A CONTROLLED DOCUMENT.

DIMENSIONS:	TOLERANCES UNLESS OTHERWISE SPECIFIED:	DWN: B. WEAVER 19JUN2018	CHK: S. FERNANDES 19JUN2018	APVD: C. YI 19JUN2018
mm	0 PLC ± 1 PLC ±0.50 2 PLC ± 3 PLC ± 4 PLC ± ANGLES ±3°	PRODUCT SPEC: 108-143081	APPLICATION SPEC: 114-143082	WEIGHT: -
MATERIAL: PBT GF	FINISH: -	NAME: CAP HOUSING, ANGLED TNL, POWER VERSA-LOCK		RESTRICTED TO: -
		SIZE: A1	CAGE CODE: 00779	DRAWING NO: C=2336231
		CUSTOMER DRAWING		SCALE: 3:1 SHEET 1 OF 2 REV D

REVISIONS				
P.	LTN	DESCRIPTION	DATE	APVD
-	-	SEE SHEET 1	-	-



**RECOMMENDED PANEL CUT-OUT**  $\triangle 5$   
 (ALL CUTOUT DIMENSION TOLERANCES  $\pm 0.2$ )  
 0.76mm PANEL THICKNESS CUTOUT SHOWN ABOVE



**ASSEMBLY PROCEDURE**  
 (0.76mm THICKNESS PANEL CUTOUT SHOWN ABOVE)

THIS DRAWING IS A CONTROLLED DOCUMENT.		DWN: B. WEAVER 19JUN2018	TE Connectivity
DIMENSIONS: mm		CHK: S. FERNANDES 19JUN2018	
TOLERANCES UNLESS OTHERWISE SPECIFIED:		APVD: C. YI 19JUN2018	NAME: CAP HOUSING, ANGLED TNL, POWER VERSA-LOCK
0 PLC	±	PRODUCT SPEC	SIZE: CAGE CODE DRAWING NO
1 PLC	±0.50	108-143081	RESTRICTED TO
2 PLC	±	APPLICATION SPEC	A100779C=2336231
3 PLC	±	114-143082	SCALE: 3:1 SHEET 2 OF 2 REV D
4 PLC	±	WEIGHT	
ANGLES	±3°	CUSTOMER DRAWING	
MATERIAL	FINISH		

## X-ON Electronics

Largest Supplier of Electrical and Electronic Components

*Click to view similar products for [Heavy Duty Power Connectors](#) category:*

*Click to view products by [TE Connectivity](#) manufacturer:*

Other Similar products are found below :

[647757-1](#) [6643411-1](#) [6646058-2](#) [6646137-1](#) [6646138-1](#) [6646608-1](#) [6646786-1](#) [6646940-1](#) [6651091-1](#) [6651525-1](#) [6651529-1](#) [6651788-1](#)  
[696475-1](#) [702-32-01109](#) [703-25-02205](#) [73000005059](#) [73000005642](#) [73080254296](#) [73080255059](#) [73080965046](#) [765-15-0080A](#)  
[765-16-0080B](#) [765-18-0080D](#) [902-77-02113](#) [PS00/A0620/6300](#) [129-1J](#) [1409400](#) [E6374G1](#) [e6389g2](#) [157-43GW8](#) [MS3117-14AC](#) [1643543-1](#)  
[1650540-1](#) [1651811-2](#) [1766260-1](#) [1766282-1](#) [1766966-1](#) [1791340000](#) [NLDFT-3-BL-L-S120-M40A](#) [NLDFT-N-W-L-C240-M40B](#) [1926015-](#)  
[1](#) [NLS-N-W-C240-M40B](#) [2-1589900-8](#) [2199314-1](#) [KA8102](#) [9300480317](#) [29131](#) [294-0091-01100](#) [296-0040-01100](#) [1646905-1](#)