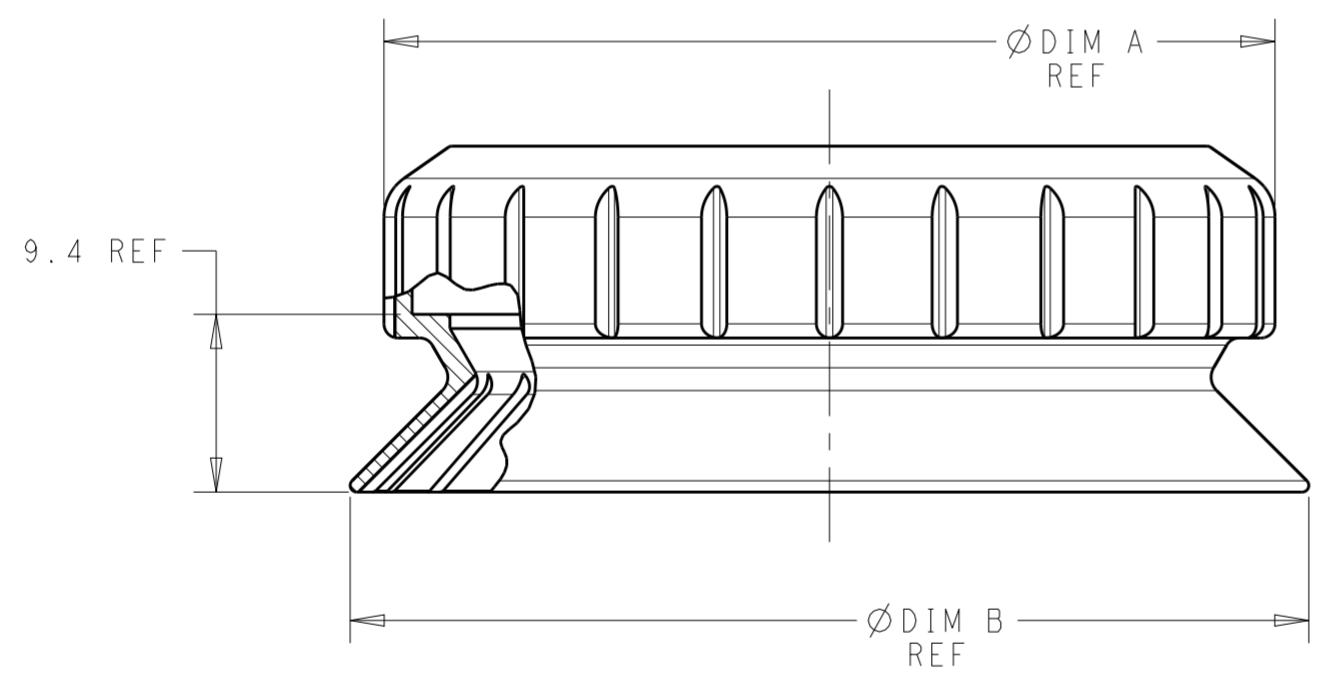
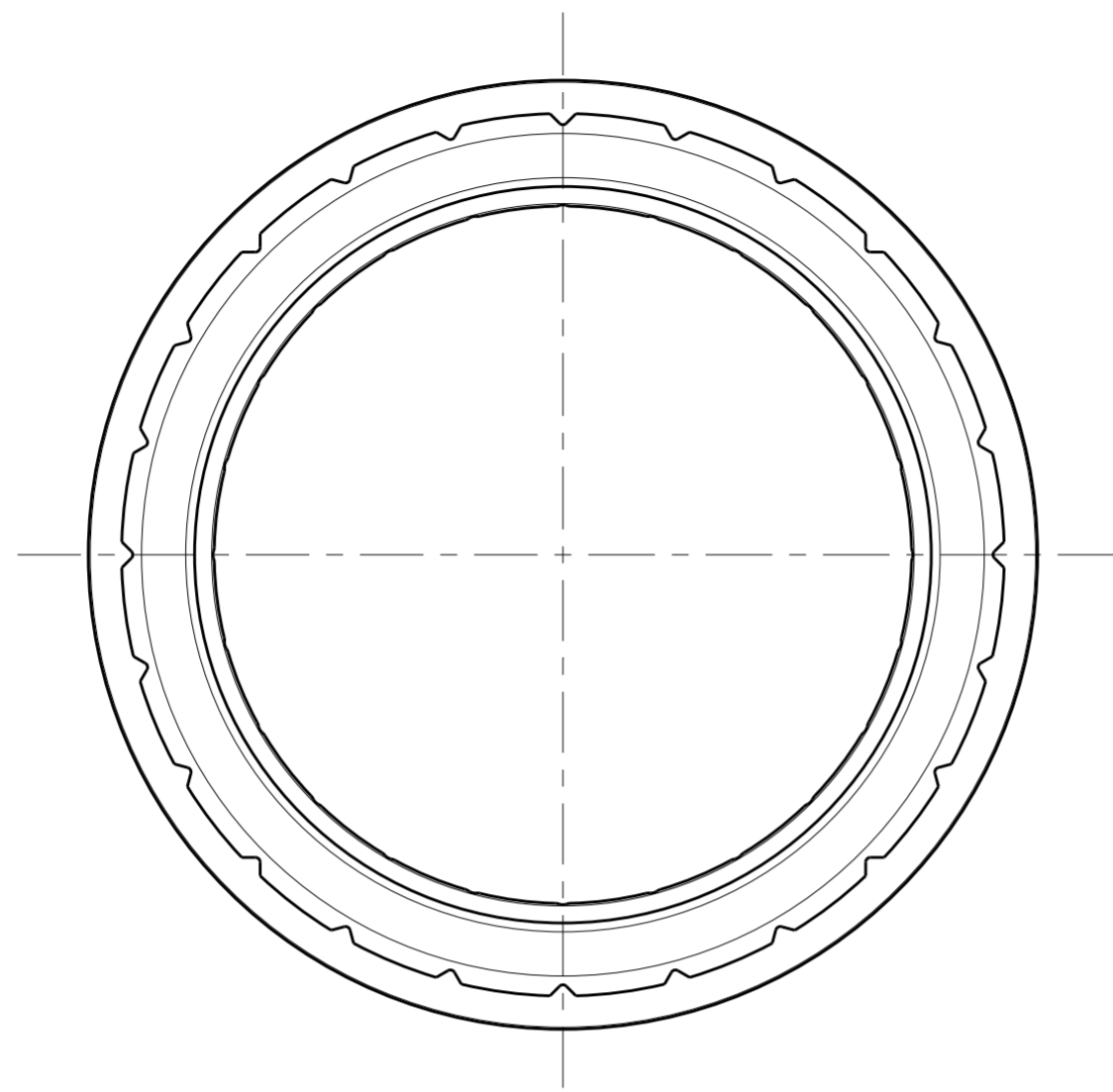
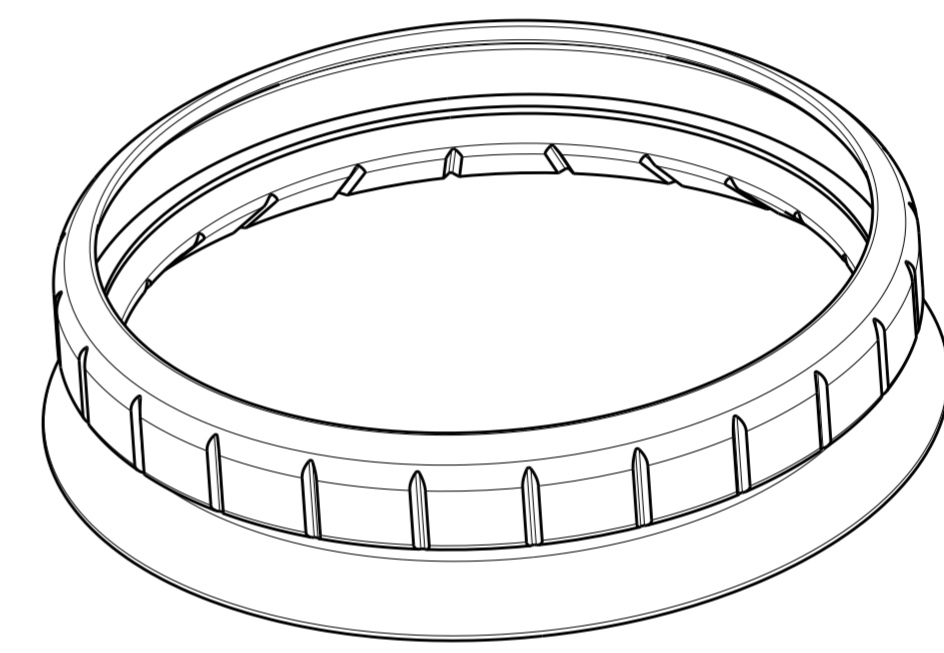


THIS DRAWING IS UNPUBLISHED. RELEASED FOR PUBLICATION 20  
 © COPYRIGHT 20 BY - ALL RIGHTS RESERVED.

REVISIONS				
P	LTR	DESCRIPTION	DATE	APVD
	A	RELEASED PER ECR-19-001184	23JAN2019	JS DD



- 1 MATERIAL:  
-SILICON RUBBER, COLOR: SEE TABLE
- 2. MUST COMPLY WITH DIRECTIVE 2002/95/EC (ROHS)
- 3. THIS PRODUCT HAS NOT COMPLETED VALIDATION TESTING



1-2337216-1 SHOWN  
SCALE 3:2

DARK GRAY	2328823-X	Ø 80.0	Ø 76.4	1-2337216-3
LIGHT GRAY	2328823-X	Ø 80.0	Ø 76.4	1-2337216-2
BLACK	2328823-X	Ø 80.0	Ø 76.4	1-2337216-1
COLOR	USED WITH DOME	DIM B	DIM A	PART NO.

THIS DRAWING IS A CONTROLLED DOCUMENT.		DWN C. DAILY 26 JUL 2018	<b>STE</b> TE Connectivity																						
		CHK M. STOLLER 26 JUL 2018																							
DIMENSIONS: mm		TOLERANCES UNLESS OTHERWISE SPECIFIED:		NAME SKIRT, MODULE, LUMAWISE ENDURANCE S																					
<table border="1"> <tr><td>0 PLC</td><td>±</td><td>-</td></tr> <tr><td>1 PLC</td><td>±0.5</td><td></td></tr> <tr><td>2 PLC</td><td>±0.5</td><td></td></tr> <tr><td>3 PLC</td><td>±</td><td></td></tr> <tr><td>4 PLC</td><td>±</td><td></td></tr> <tr><td>ANGLES</td><td>±3°</td><td></td></tr> <tr><td>FINISH</td><td></td><td></td></tr> </table>		0 PLC	±	-	1 PLC	±0.5		2 PLC	±0.5		3 PLC	±		4 PLC	±		ANGLES	±3°		FINISH			APVD -	PRODUCT SPEC -	SIZE A200779
0 PLC	±	-																							
1 PLC	±0.5																								
2 PLC	±0.5																								
3 PLC	±																								
4 PLC	±																								
ANGLES	±3°																								
FINISH																									
MATERIAL 1		APPLICATION SPEC -	WEIGHT -	CAGE CODE C-2337216																					
RESTRICTED CUSTOMER			SCALE 1:1	SHEET 1 OF 1																					

## X-ON Electronics

Largest Supplier of Electrical and Electronic Components

*Click to view similar products for [Lighting Connectors](#) category:*

*Click to view products by [TE Connectivity](#) manufacturer:*

Other Similar products are found below :

[293300-7](#) [293660-5](#) [CNX\\_H03\\_NTP](#) [30-9767-BU](#) [3605](#) [3-21030-1](#) [ZCH-110-RGB-I](#) [503471-0290](#) [ZCH-110-RGB-J](#) [217-0716-200](#)  
[1954563-1](#) [1-293657-2](#) [2834036-1](#) [2834037-1](#) [1-2213222-4](#) [2-2213222-4](#) [2213222-4](#) [2834122-3](#) [2834122-5](#) [2834135-2](#) [FLA-R4142-30](#)  
[FLA-R4162-30](#) [FLA-R2142-30](#) [FLA-R2141-30](#) [FLA-R2162-30](#) [FLA-R2161-30](#) [FLA-R0161-30](#) [FLA-R0141-30](#) [FLA-R0142-30](#) [FLA-](#)  
[R0162-30](#) [FLA-C00-00](#) [DGA00010553](#) [CNXV04NTP](#) [104128-0610](#) [503485-0000 \(Cut Strip\)](#) [503485-0000 \(Loose Piece\)](#) [503485-0000](#)  
[\(MINI Reel\)](#) [1-2834074-2](#) [1-2834074-3](#) [1357-AC PLUG W2C \(CHINA\)](#) [1357-AC PLUG W2 \(USA\)](#) [104266-0110](#) [2106212-1](#) [2-2834074-2](#)  
[104266-0210](#) [293470-1](#) [293651-2](#) [293651-4](#) [1-2834006-2](#) [293651-1](#)