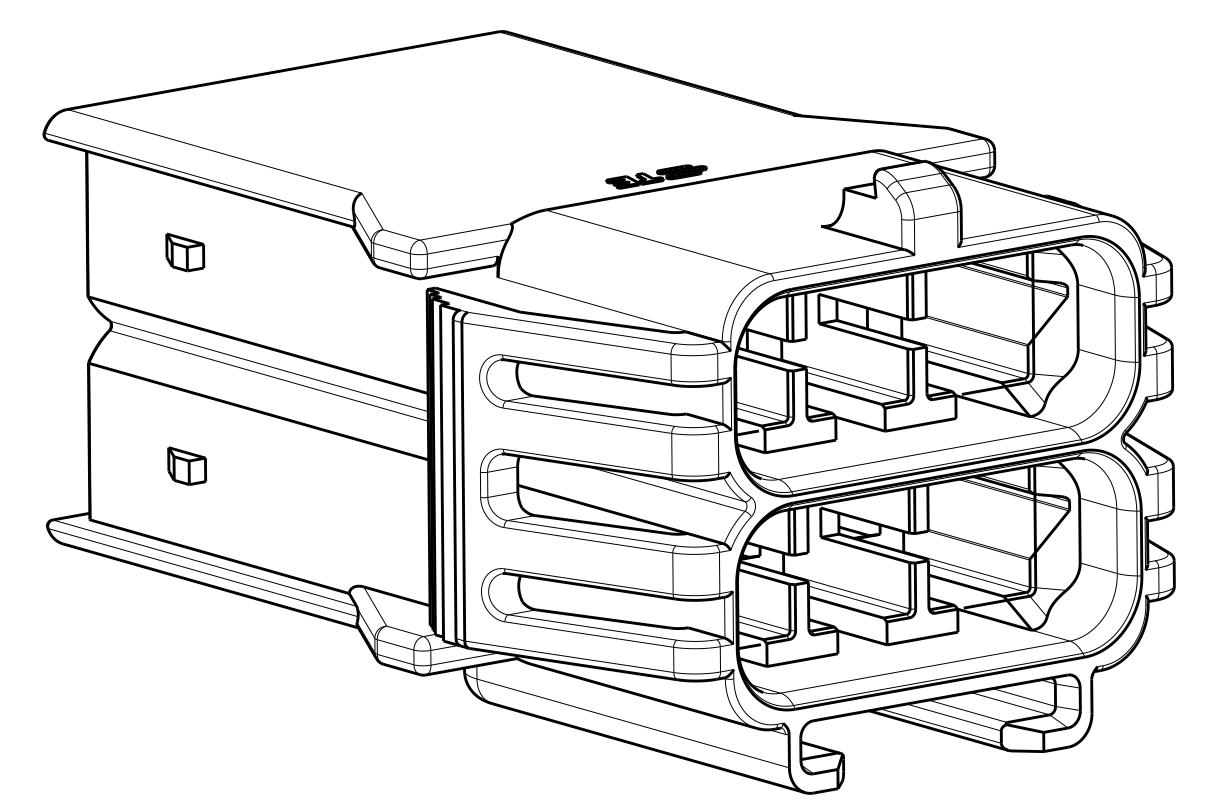
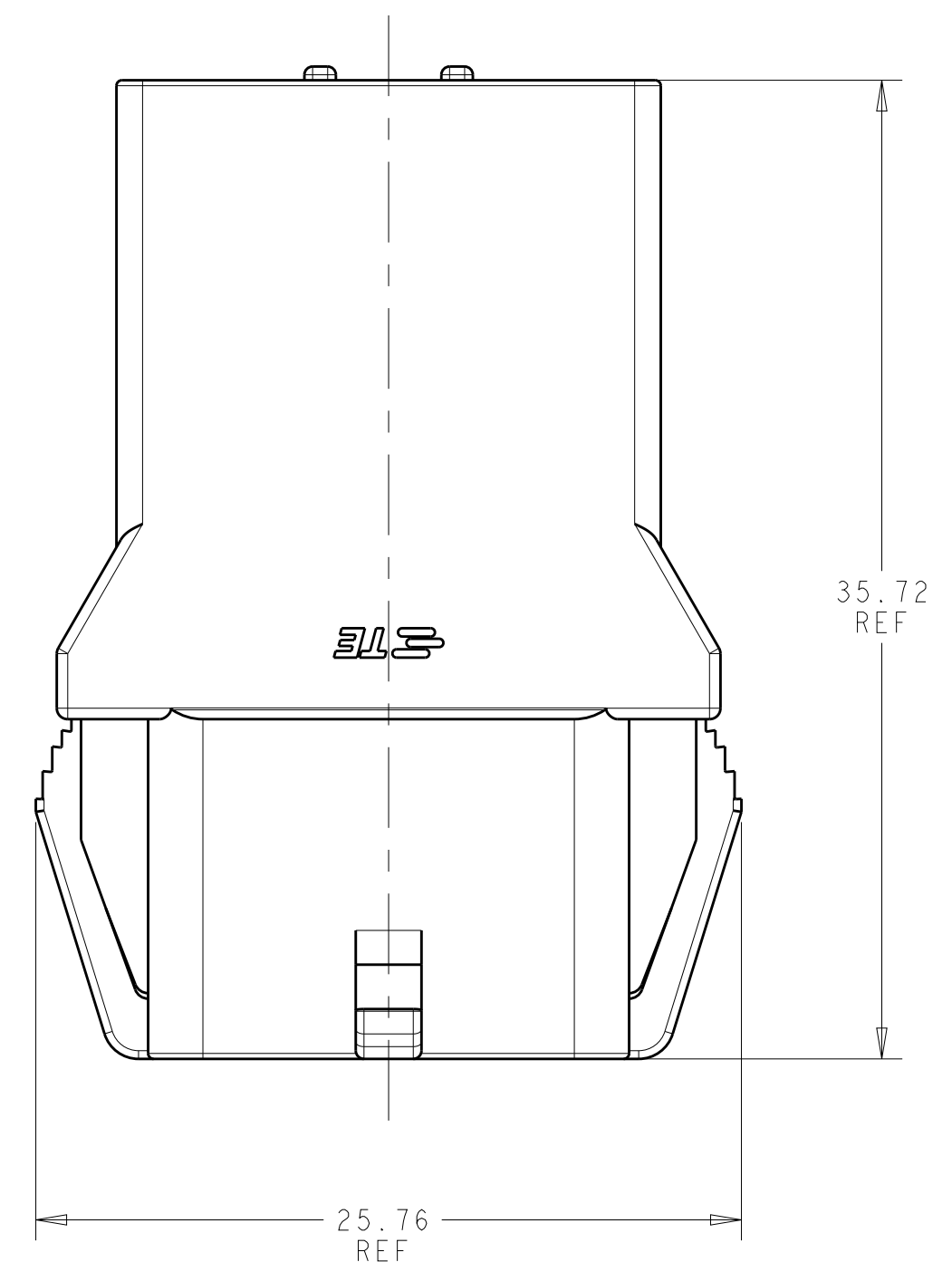
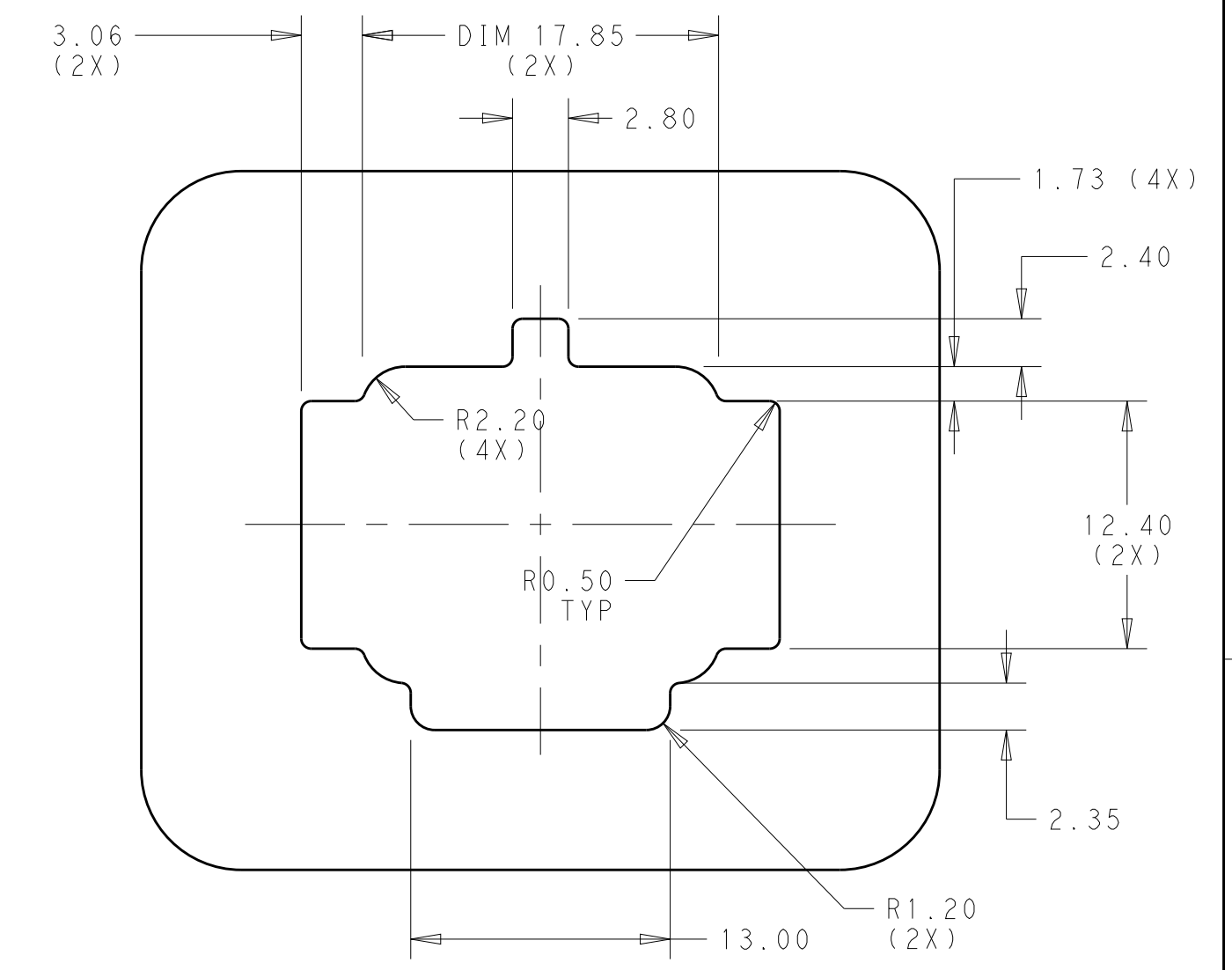
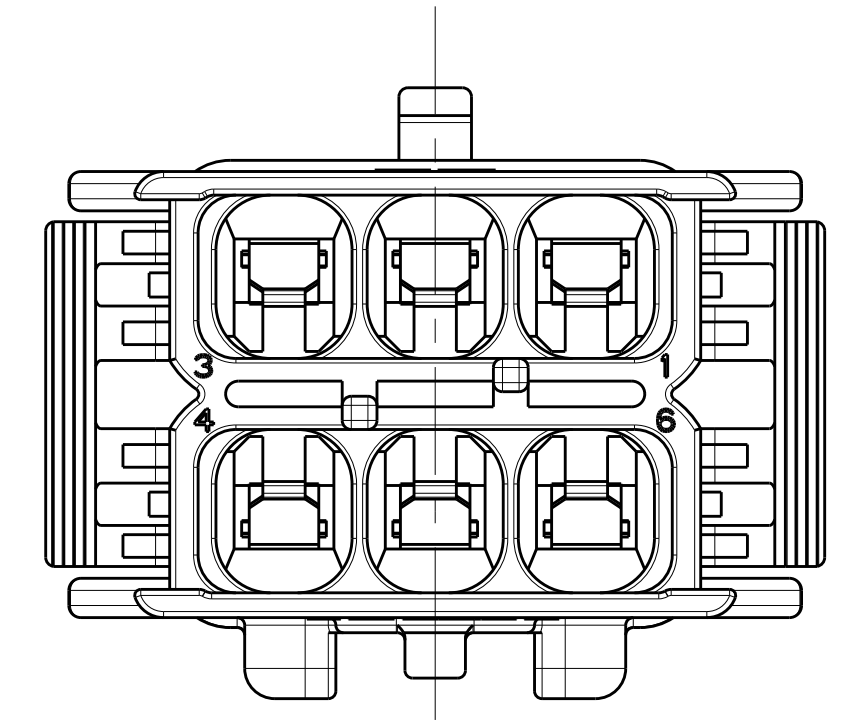
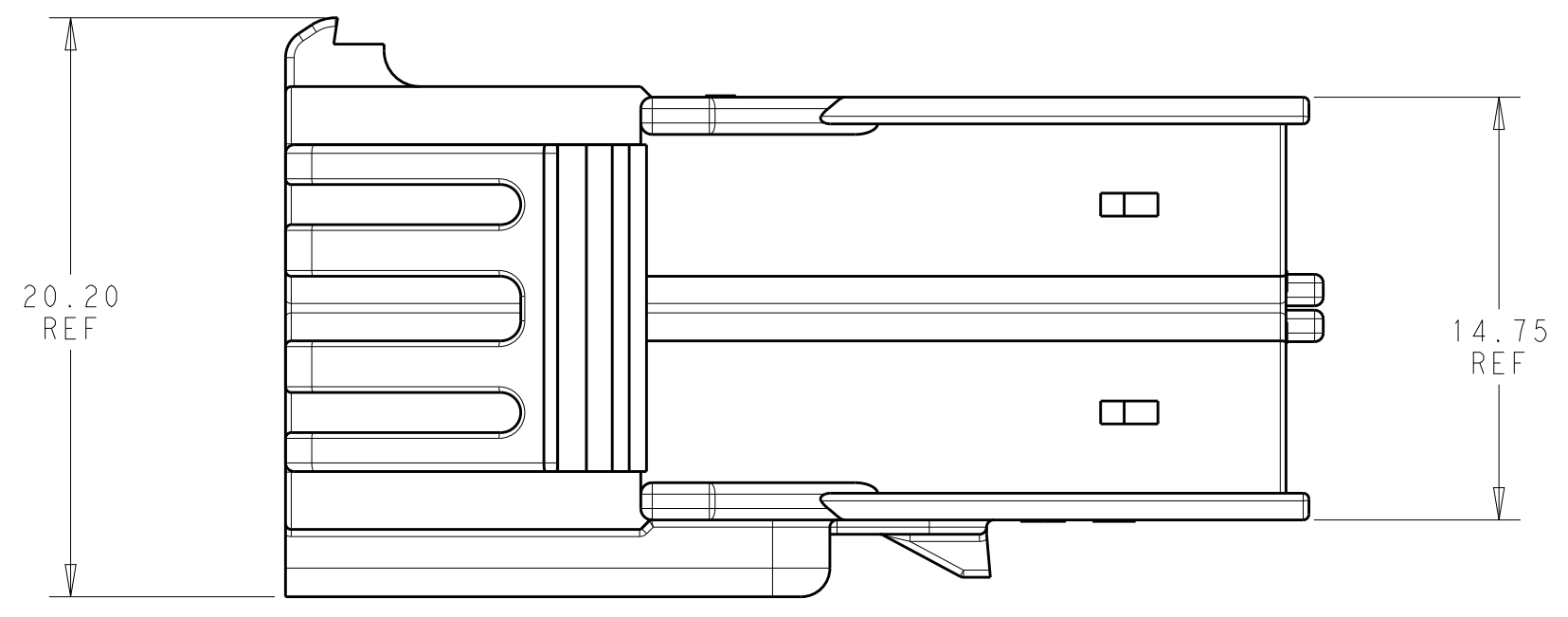
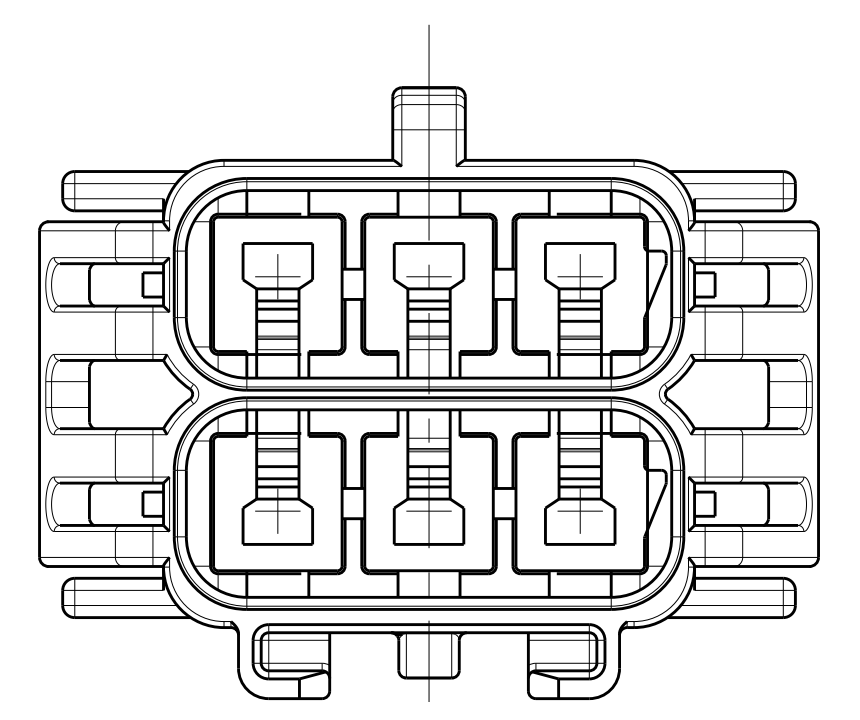


REVISIONS				
P	LTM	DESCRIPTION	DATE	APVD
A		RELEASED PER ECO-20-003383	09MAR2020	BKW DS
A1		REVISED PER ECR-20-100211	08AUG2020	JP VS
B		REVISED PER ECR-20-100662	09DEC2020	PC DS

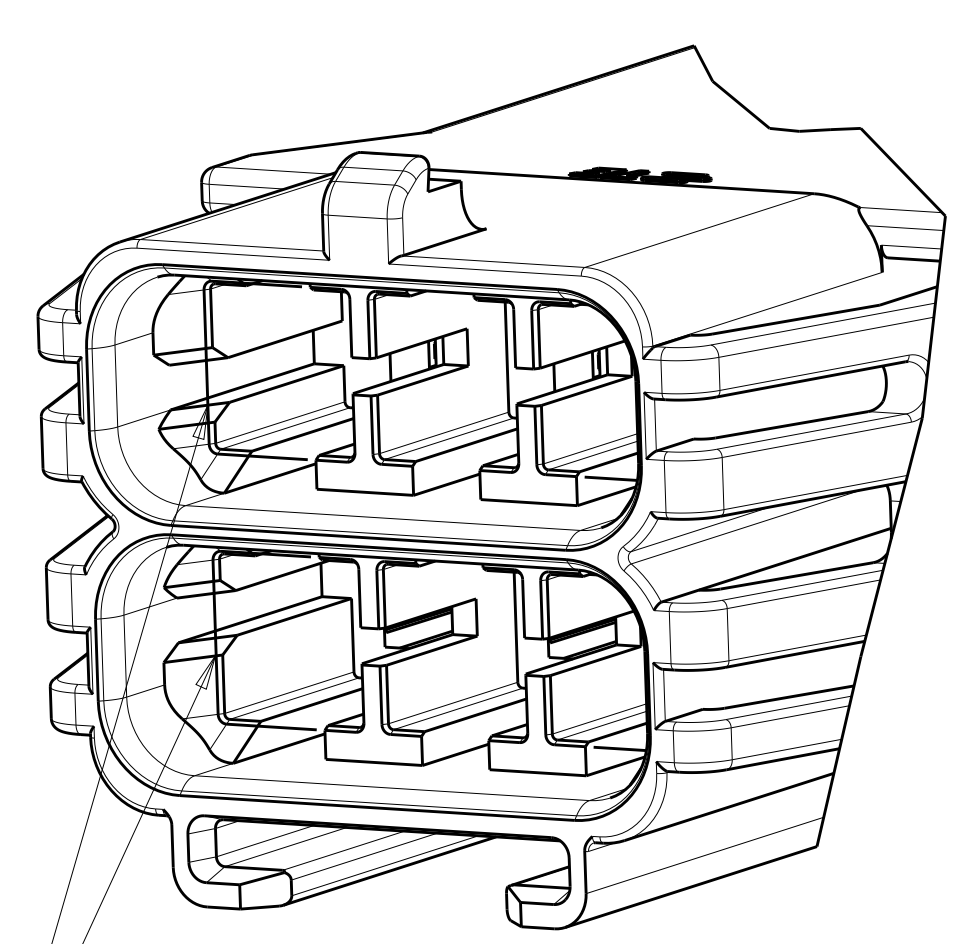
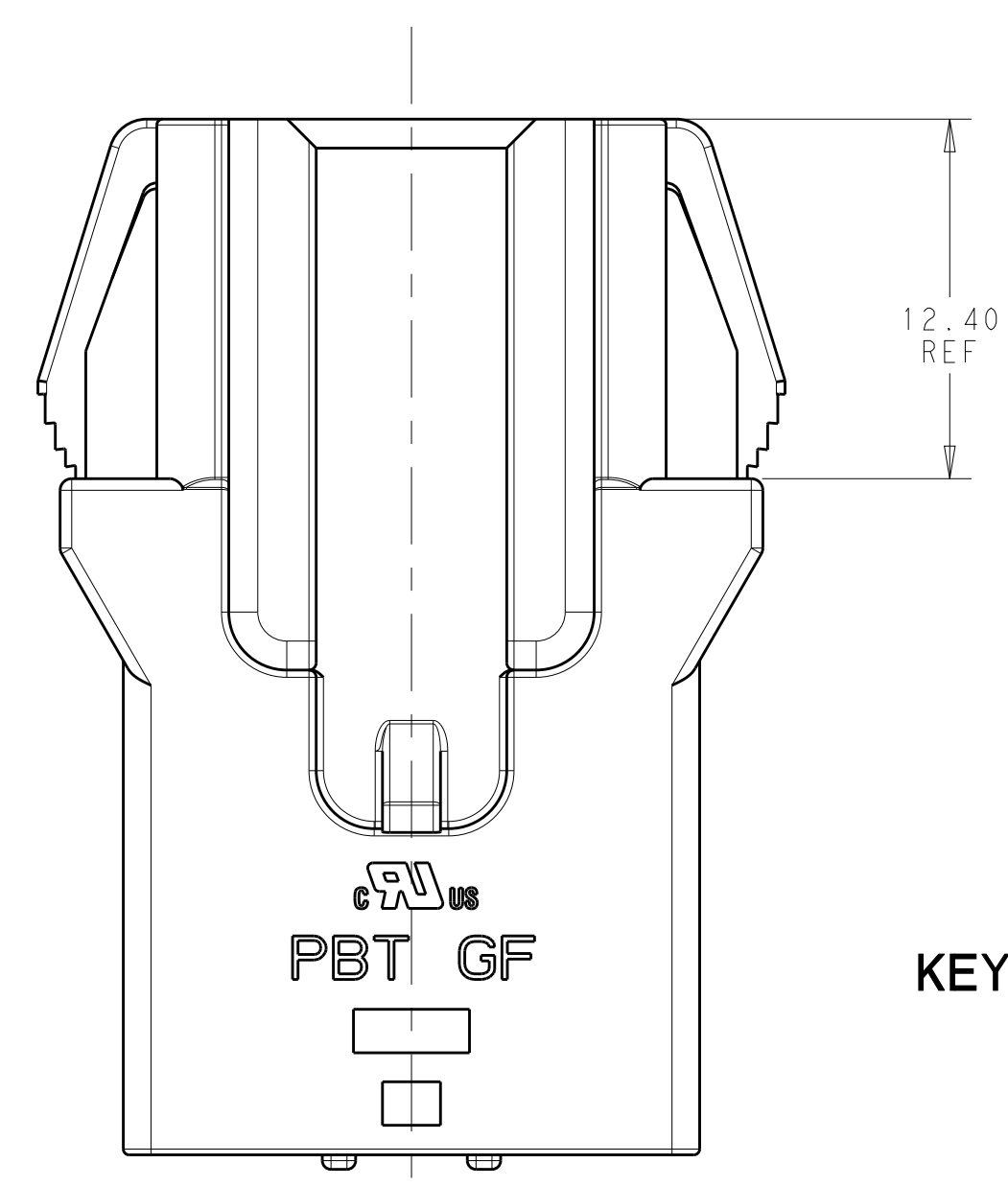


2x3 POSITION

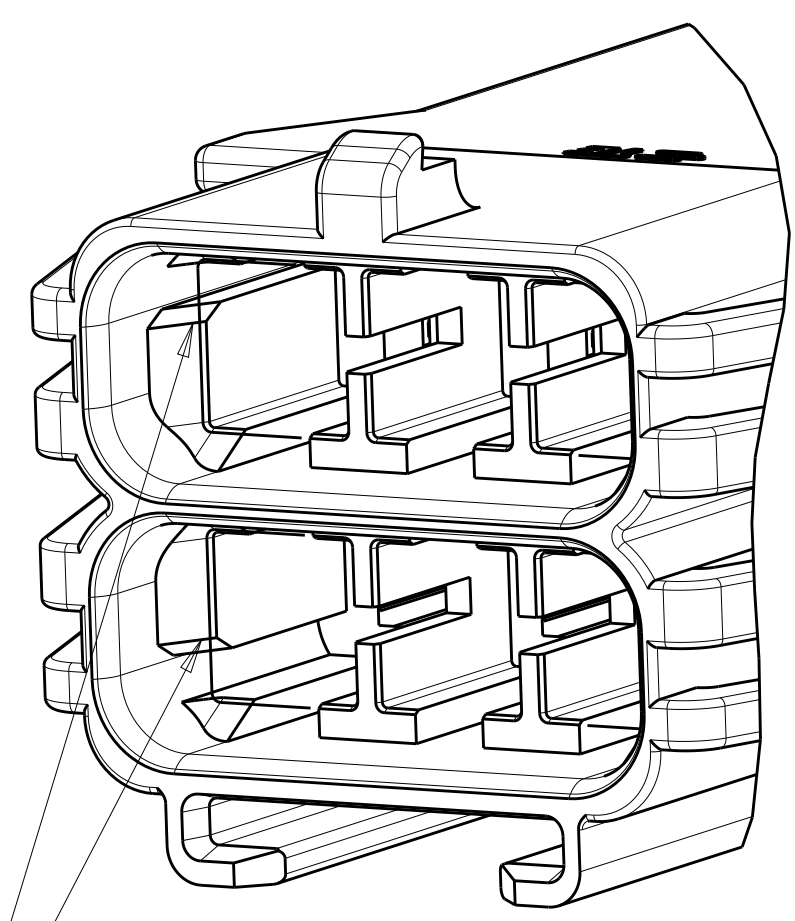
- △ MATERIAL: PBT, GLASS FILLED
- 2. FLAMMABILITY RATING: UL94 V-0
- 3. APPLICABLE CONTACT P/N:  
2329910-\*/2329907-\*/2329906-\*/2329908-\*/2329909-\*/2329911-\*/  
2337140-\*/2337139-\*
- 4. MATING CONNECTOR P/N  
PLUG HSG: \*-2336229-\*/\*-2337912-\*/  
TPA: 2337218-6  
PERIMETER SEAL: 2325347-3 (2 PER CAP)  
GANG SEAL: 2325349-3 (2 PER CAP)
- 5. RECOMMENDED PANEL THICKNESS: 0.80-2.00
- 6. PANEL MUST BE PUNCHED SO THAT THE HOUSING ENTERS THE PANEL IN THE SAME DIRECTION AS THE PUNCH
- △ PRELIMINARY PART - NOT RELEASED FOR PRODUCTION



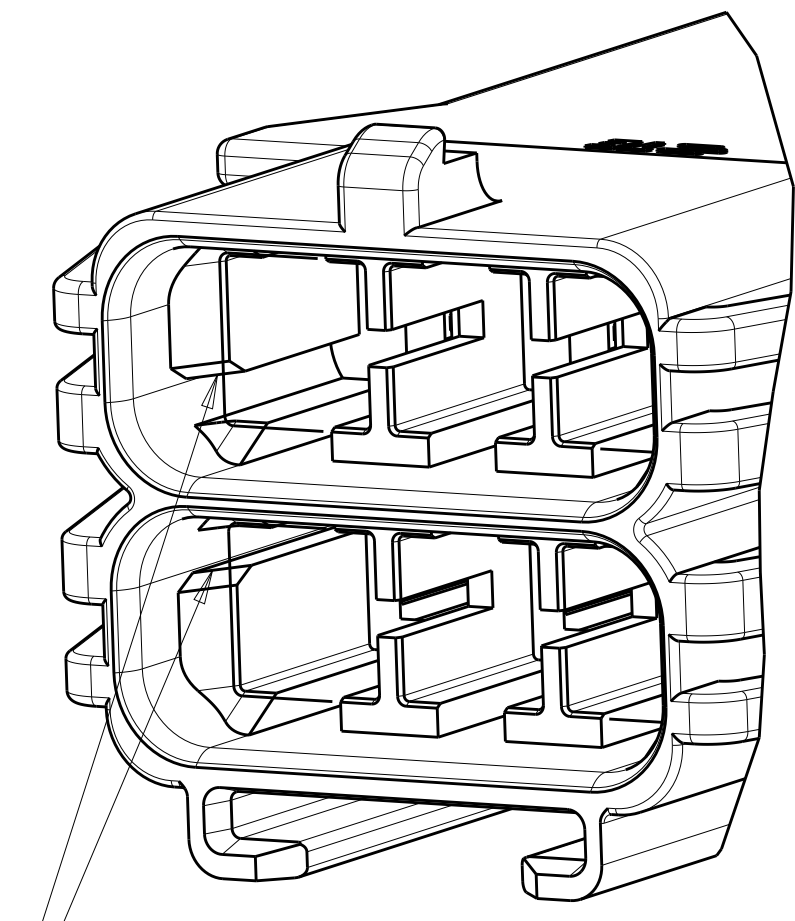
RECOMMENDED PANEL CUT-OUT  
 (ALL DIMENSIONS ±0.15)



KEY A



KEY B



KEY C

COLOR	KEYING	POSITIONS	PART NUMBER
BROWN	KEY C	2*3	3-2337219-6
LIGHT GRAY	KEY B	2*3	2-2337219-6
NATURAL	KEY A	2*3	1-2337219-6

THIS DRAWING IS A CONTROLLED DOCUMENT.

DIMENSIONS:	TOLERANCES UNLESS OTHERWISE SPECIFIED:	DWN: B. WEAVER 20JUN2018	CHK: S. FERNANDES 20JUN2018	APVD: C. YI 20JUN2018
mm	0 PLC ±0.35 2 PLC ±0.25 3 PLC ±0.25 4 PLC ±0.25 ANGLES ±0.5	PRODUCT SPEC: 108-143081	APPLICATION SPEC: 114-143082	WEIGHT: -
MATERIAL: PBT GF	FINISH: -	SIZE: A1	CAGE CODE: 00779	DRAWING NO: C=2337219
CUSTOMER DRAWING		SCALE: 4:1	SHEET: 1 OF 1	REV: B

TE Connectivity  
 CAP HOUSING, POWER VERSA-LOCK

## X-ON Electronics

Largest Supplier of Electrical and Electronic Components

*Click to view similar products for [Heavy Duty Power Connectors](#) category:*

*Click to view products by [TE Connectivity](#) manufacturer:*

Other Similar products are found below :

[647757-1](#) [6643411-1](#) [6646058-2](#) [6646137-1](#) [6646138-1](#) [6646479-1](#) [6646608-1](#) [6646786-1](#) [6646940-1](#) [6651091-1](#) [6651525-1](#) [6651529-1](#)  
[6651788-1](#) [696475-1](#) [702-32-01109](#) [703-25-02205](#) [73000005059](#) [73000005642](#) [73080255059](#) [73080965046](#) [765-15-0080A](#) [765-16-0080B](#)  
[765-18-0080D](#) [829992-1](#) [902-77-02113](#) [PS00/A0620/6300](#) [PS25/A0420/63](#) [129-1J](#) [1409400](#) [AN0024023](#) [E6374G1](#) [e6389g2](#) [157-43GW8](#)  
[MS3117-14AC](#) [1643543-1](#) [1650540-1](#) [1651811-2](#) [1766260-1](#) [1766282-1](#) [1766966-1](#) [1791340000](#) [NLDFT-3-BL-L-S120-M40A](#) [NLDFT-N-](#)  
[W-L-C240-M40B](#) [NLS-2-R-C240-M40B](#) [NLS-N-W-C240-M40B](#) [NPS-3-BL-T6](#) [1986615-1](#) [2-1589900-8](#) [2199314-1](#) [KA8102](#)