

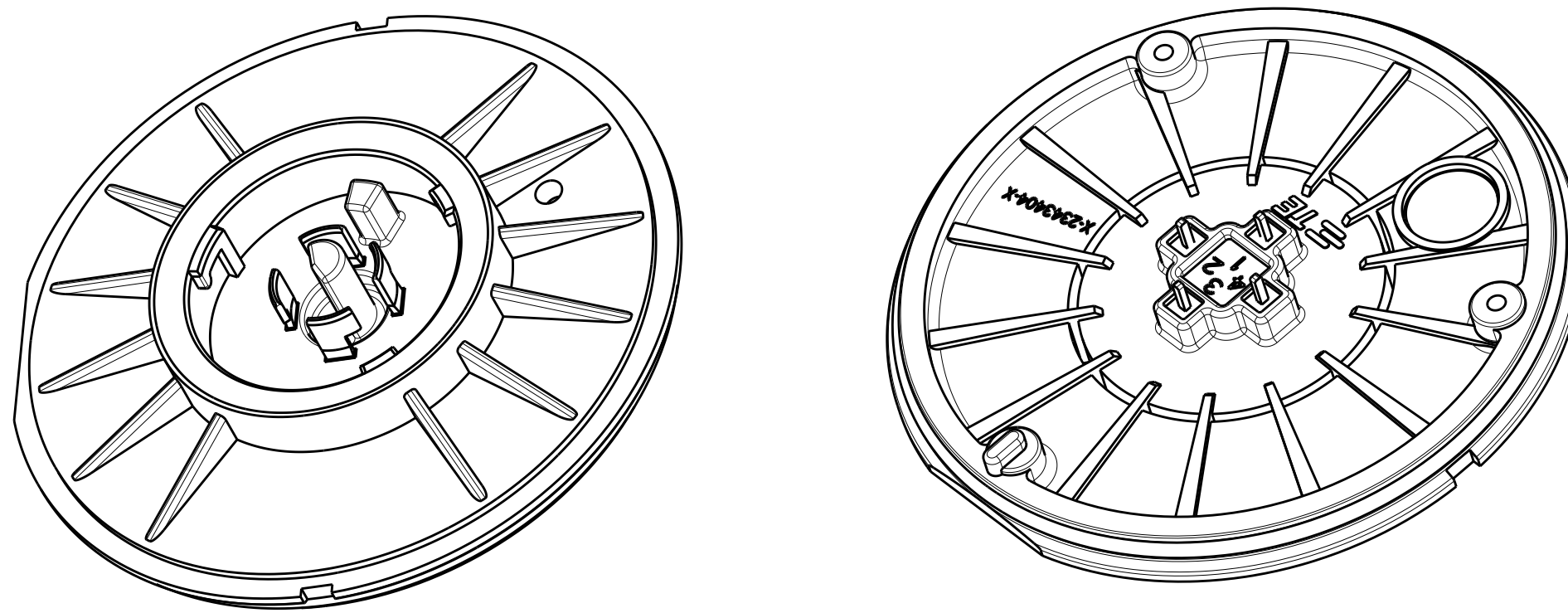
THIS DRAWING IS UNPUBLISHED. RELEASED FOR PUBLICATION 20
 © COPYRIGHT 20 BY - ALL RIGHTS RESERVED.

REVISIONS				
P	LTR	DESCRIPTION	DATE	APVD
	A3	REVISED PER ECR-20-013028	14SEP2020	MM DD

NOTES:

- 1 MATERIALS AND FINISH:
 -MODULE HOUSING: PBT, COLOR: GREY
 -CONTACTS: BRASS, FINISH: Sn
 -O-RING: SILICON RUBBER
- 2. MUST COMPLY WITH DIRECTIVE 2002/95/EC (ROHS)
- 3 LOCATION OF FLAT ON RECEPTACLE (TE P/N 2213858-1)
 THREAD SECTION IN FULL MATED POSITION
- 4. COMPATIBLE DOME IS 2328823-X.
- 5. MATES WITH RECEPTACLE ASSEMBLIES 2343403-1 OR 1-2343403-1.
- 6. RECOMMENDED PIN OUT FOR 0-10V DIMMING CONTROL APPLICATIONS:

PIN	0-10V CONTROL
1	DC+
2	0-10V DIM- DC-
3	0-10V DIM+
4	OPTIONAL



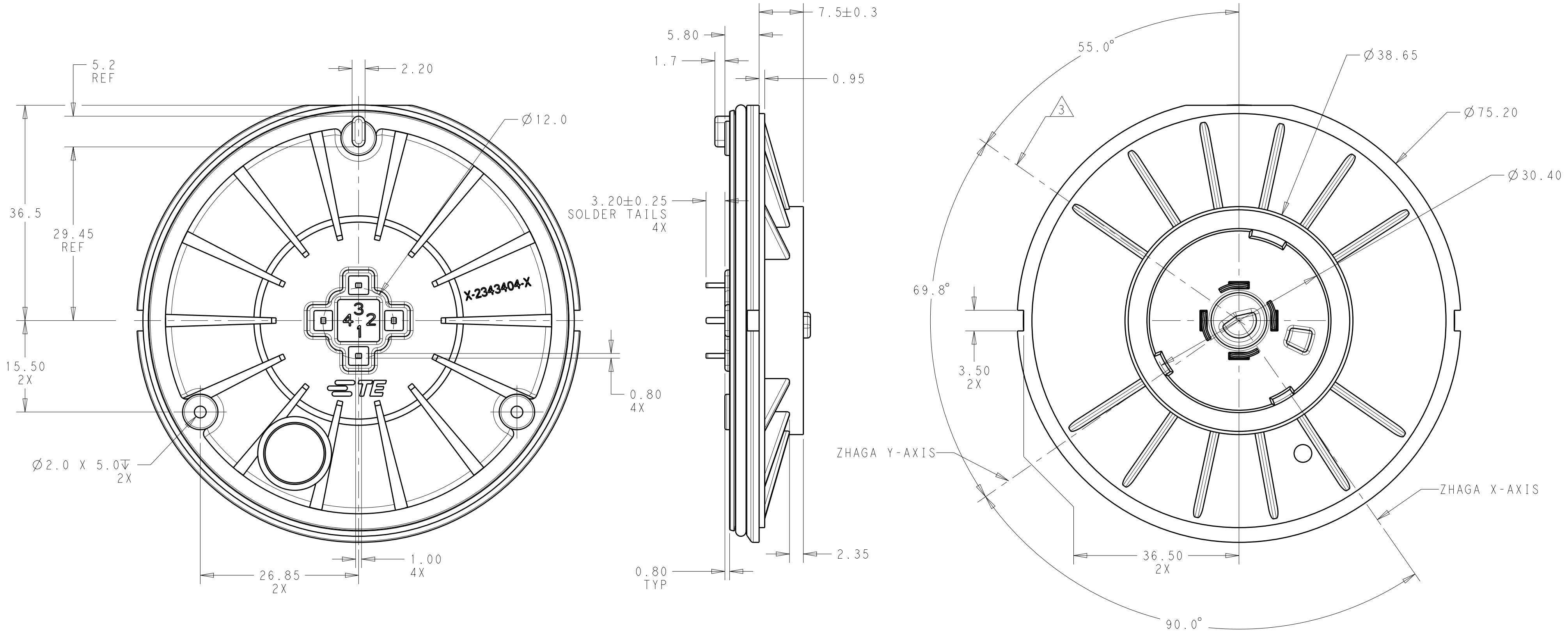
SCALE 3:2

MODULE BASE ASSY,CLOSED VENT,KEY A	2-2343404-1
MODULE BASE ASSY,VENT,KEY A	1-2343404-1
DESCRIPTION AND KEYING	PART NO.

THIS DRAWING IS A CONTROLLED DOCUMENT.		DWN C DAILY 03OCT2018	TE Connectivity	
		CHK E HOWARD 03OCT2018		
DIMENSIONS: mm	TOLERANCES UNLESS OTHERWISE SPECIFIED:	APVD -	NAME MODULE BASE ASSEMBLY, LUMAWISE ENDURANCE S 80mm DIAMETER,KEYED	
	0 PLC ± 1 PLC ±0.2 2 PLC ±0.15 3 PLC ± 4 PLC ±	PRODUCT SPEC 108-133073	SIZE A2	CAGE CODE -
MATERIAL -	FINISH -	APPLICATION SPEC 114-133074	DRAWING NO G-2343404	RESTRICTED TO -
SEE NOTES		WEIGHT -	CUSTOMER DRAWING	
			SCALE 2:1	SHEET 1 OF 4
			REV A3	

THIS DRAWING IS UNPUBLISHED. RELEASED FOR PUBLICATION 20
 © COPYRIGHT 20 BY - ALL RIGHTS RESERVED.

REVISIONS				
P	LTR	DESCRIPTION	DATE	APVD
-	-	SEE SHEET 1	-	-

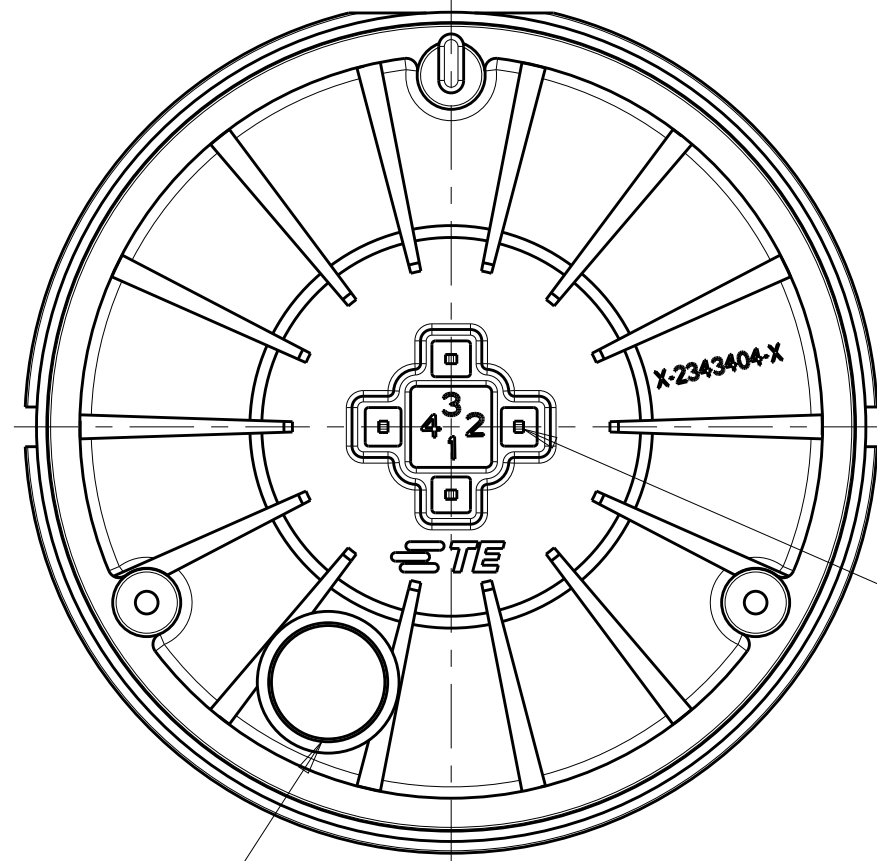


1-2343404-1 SHOWN

THIS DRAWING IS A CONTROLLED DOCUMENT.		DWN C. DAILY 03OCT2018	STE TE Connectivity															
		CHK E. HOWARD 03OCT2018																
DIMENSIONS: mm		TOLERANCES UNLESS OTHERWISE SPECIFIED:		APVD -														
<table border="1"> <tr><td>0 PLC</td><td>±</td></tr> <tr><td>1 PLC</td><td>±0.2</td></tr> <tr><td>2 PLC</td><td>±0.15</td></tr> <tr><td>3 PLC</td><td>±</td></tr> <tr><td>4 PLC</td><td>±</td></tr> <tr><td>ANGLES</td><td>±1</td></tr> <tr><td>FINISH</td><td>-</td></tr> </table>		0 PLC	±	1 PLC	±0.2	2 PLC	±0.15	3 PLC	±	4 PLC	±	ANGLES	±1	FINISH	-	PRODUCT SPEC 108-133073		NAME MODULE BASE ASSEMBLY, LUMAWISE ENDURANCE S 80mm DIAMETER, KEYED
0 PLC	±																	
1 PLC	±0.2																	
2 PLC	±0.15																	
3 PLC	±																	
4 PLC	±																	
ANGLES	±1																	
FINISH	-																	
MATERIAL - SEE NOTES		APPLICATION SPEC 114-133074		SIZE A2														
		WEIGHT -		CAGE CODE -														
		CUSTOMER DRAWING		DRAWING NO. G-2343404														
		SCALE 2:1		RESTRICTED TO -														
		SHEET 2 OF 4		REV A3														

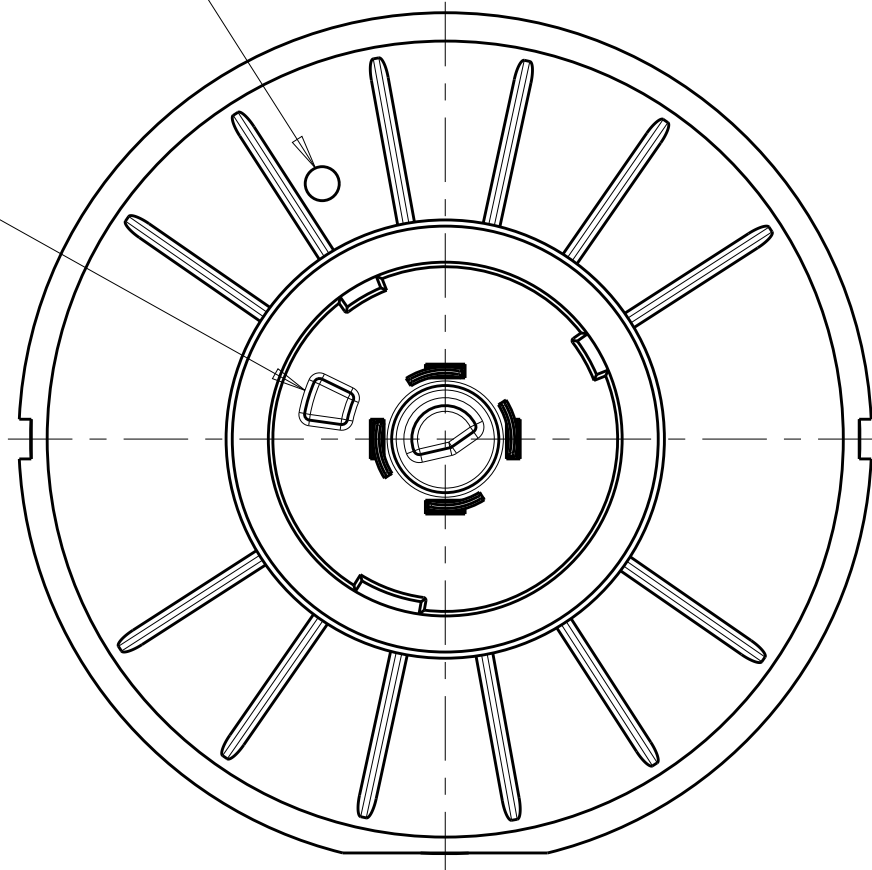
THIS DRAWING IS UNPUBLISHED. RELEASED FOR PUBLICATION 20
 © COPYRIGHT 20 BY - ALL RIGHTS RESERVED.

REVISIONS				
P	LTR	DESCRIPTION	DATE	APVD
-		SEE SHEET 1	-	-



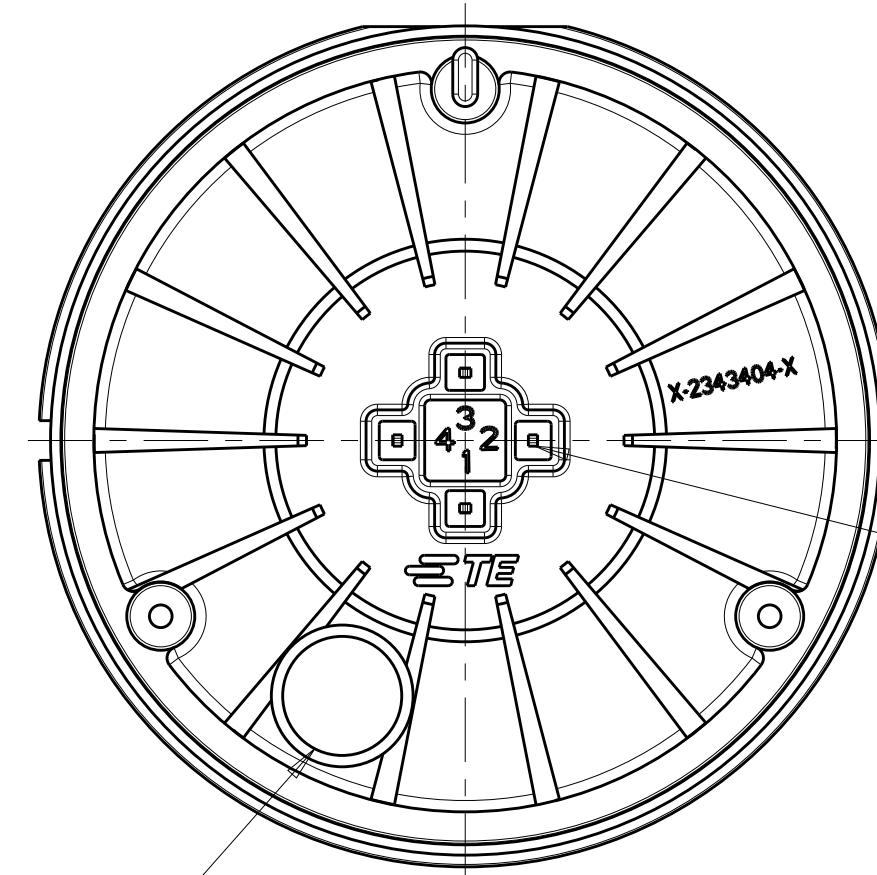
CONTACT SOLDER TAILS SEALED 4X

VENT



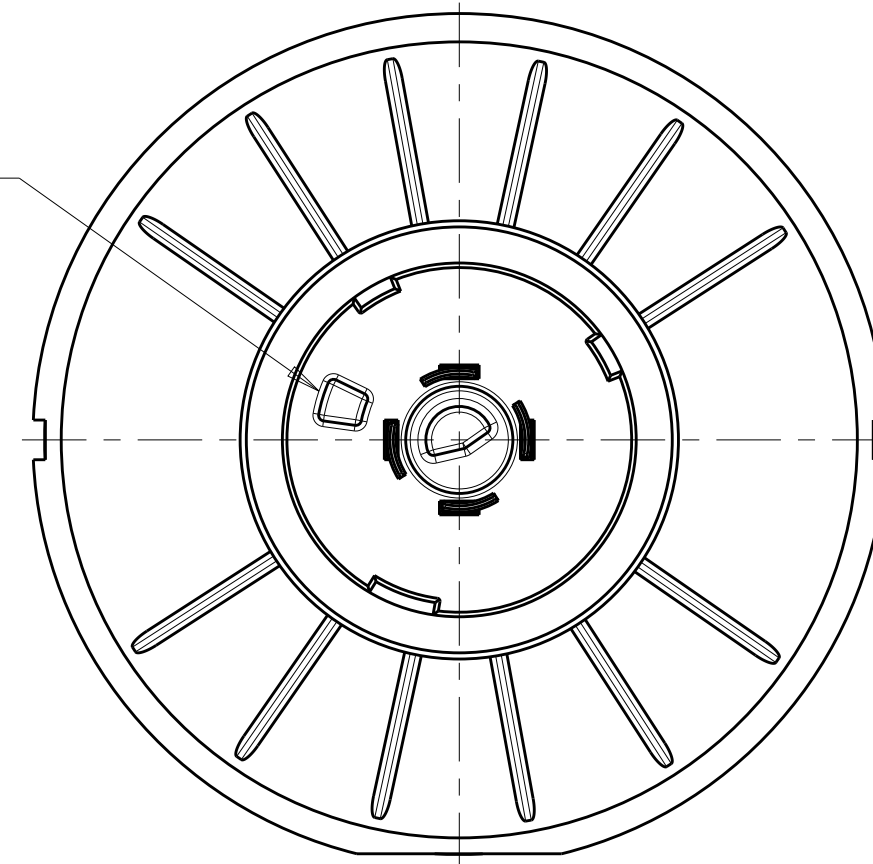
NOTE: KEY

1-2343404-1 SHOWN



CONTACT SOLDER TAILS SEALED 4X

VENT HOLE BLOCKED



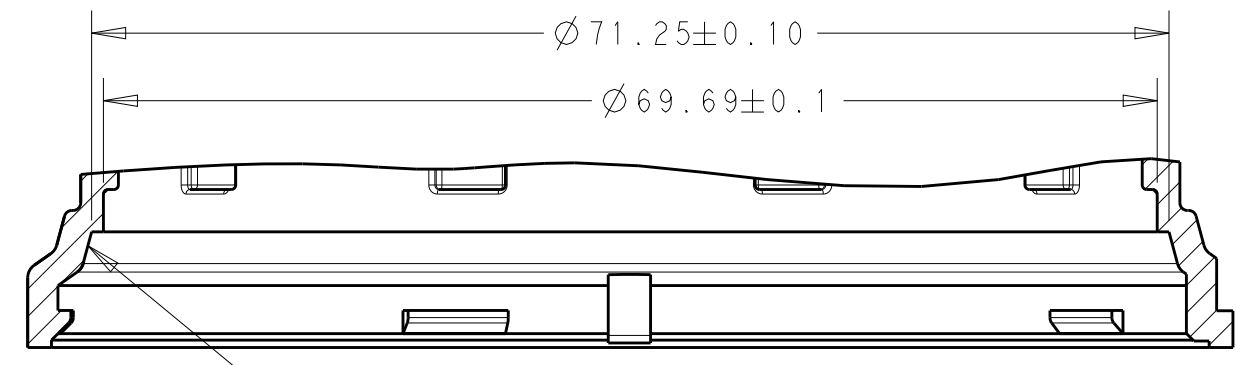
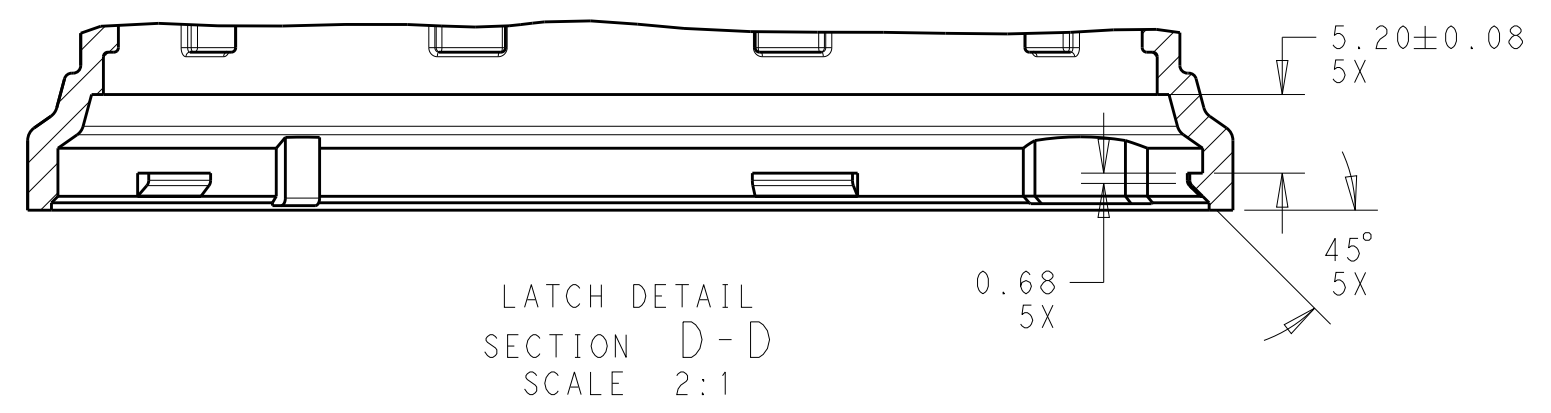
NOTE: KEY

2-2343404-1 SHOWN

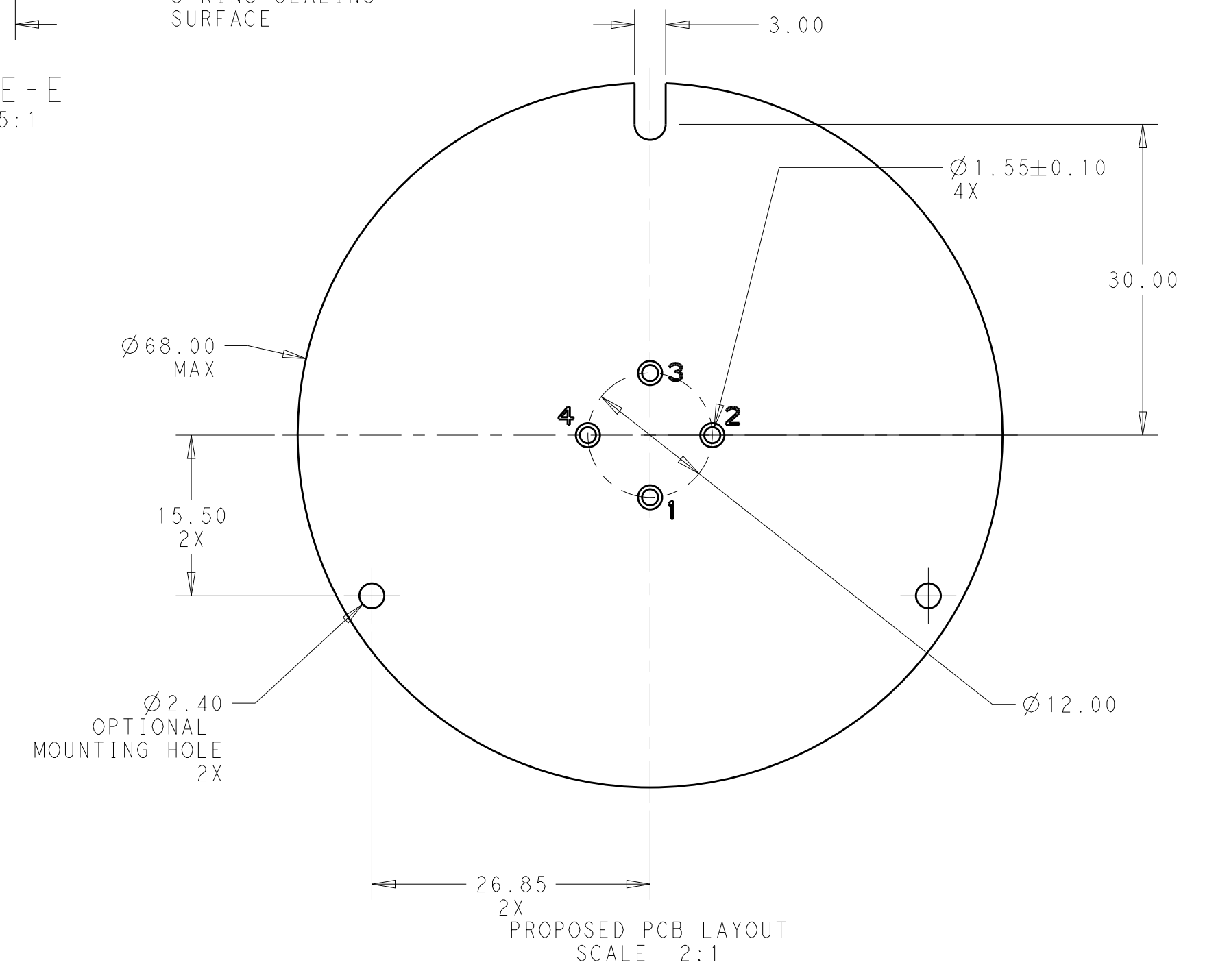
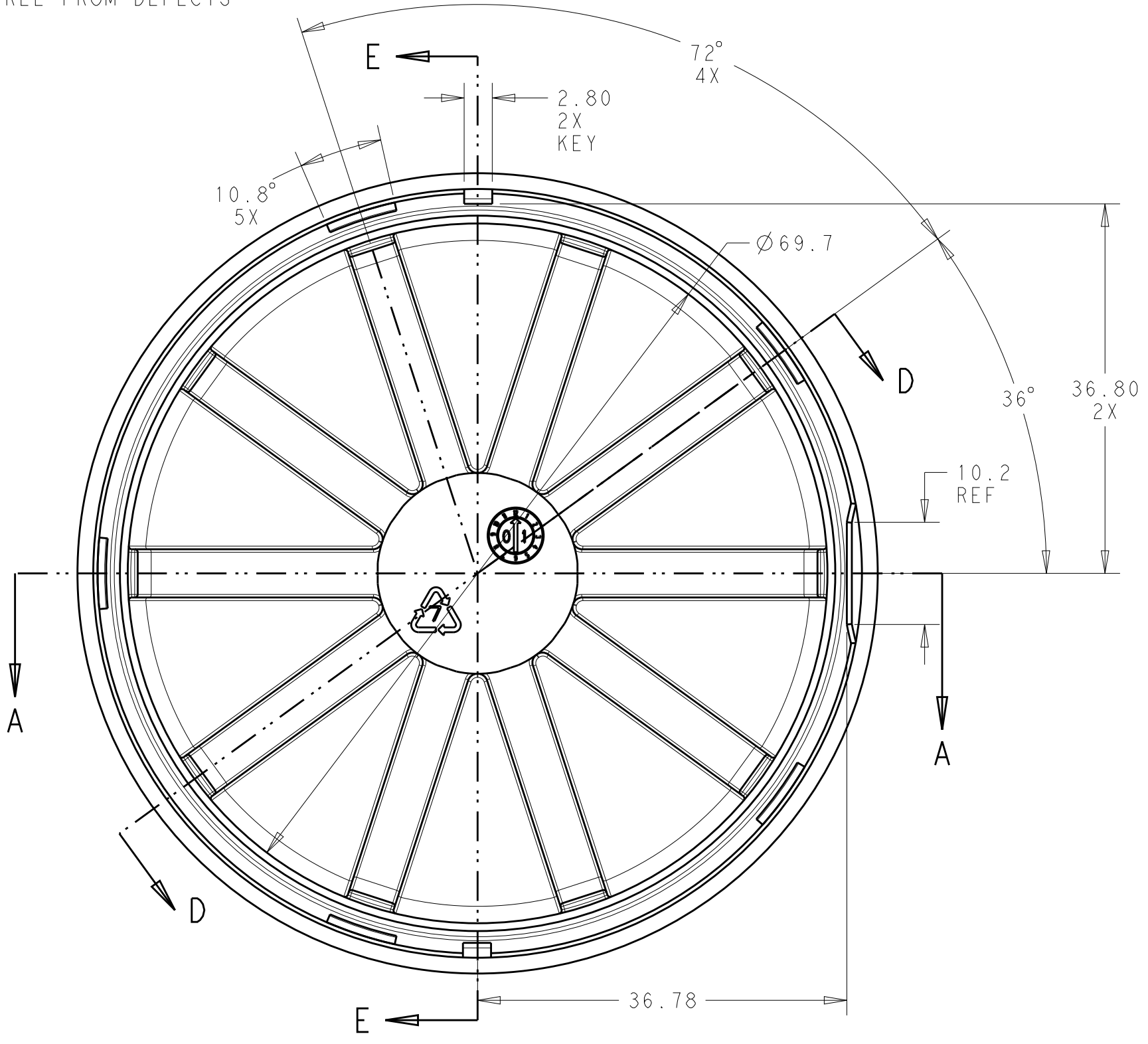
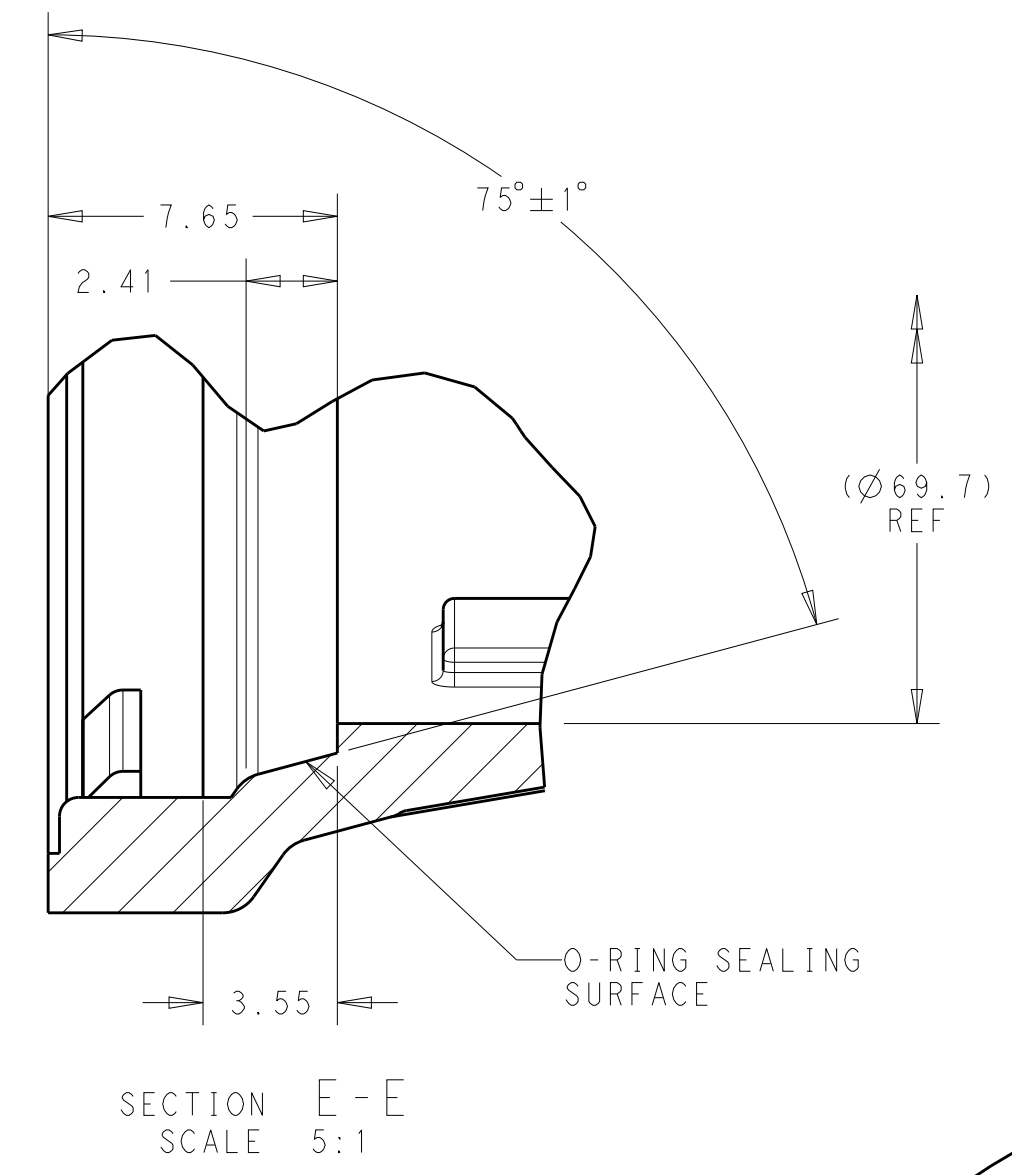
THIS DRAWING IS A CONTROLLED DOCUMENT.		DWN C. DAILY 03OCT2018	STE TE Connectivity															
		CHK E. HOWARD 03OCT2018																
DIMENSIONS: mm		TOLERANCES UNLESS OTHERWISE SPECIFIED:		NAME MODULE BASE ASSEMBLY, LUMAWISE ENDURANCE S 80mm DIAMETER, KEYED														
<table border="1"> <tr><td>0 PLC</td><td>±</td></tr> <tr><td>1 PLC</td><td>±0.2</td></tr> <tr><td>2 PLC</td><td>±0.15</td></tr> <tr><td>3 PLC</td><td>±</td></tr> <tr><td>4 PLC</td><td>±</td></tr> <tr><td>ANGLES</td><td>±1</td></tr> <tr><td>FINISH</td><td>-</td></tr> </table>		0 PLC	±	1 PLC	±0.2	2 PLC	±0.15	3 PLC	±	4 PLC	±	ANGLES	±1	FINISH	-	PRODUCT SPEC 108-133073	SIZE A2	CAGE CODE -
0 PLC	±																	
1 PLC	±0.2																	
2 PLC	±0.15																	
3 PLC	±																	
4 PLC	±																	
ANGLES	±1																	
FINISH	-																	
MATERIAL - SEE NOTES		APPLICATION SPEC 114-133074	DRAWING NO. G-2343404	RESTRICTED TO -														
		WEIGHT -	SCALE 2:1	SHEET 3 OF 4														
		CUSTOMER DRAWING	REV A3															

THIS DRAWING IS UNPUBLISHED. RELEASED FOR PUBLICATION 20
 © COPYRIGHT 20 BY - ALL RIGHTS RESERVED.

REVISIONS				
P	LTR	DESCRIPTION	DATE	APVD
-	-	SEE SHEET 1	-	-



O-RING SEALING SURFACE;
MUST BE SMOOTH AND
FREE FROM DEFECTS



THIS DRAWING IS A CONTROLLED DOCUMENT.		DWN C. DAILY 03OCT2018	STE TE Connectivity	
		CHK E. HOWARD 03OCT2018		
DIMENSIONS:	TOLERANCES UNLESS OTHERWISE SPECIFIED:	APVD -	NAME MODULE BASE ASSEMBLY, LUMAWISE ENDURANCE S 80mm DIAMETER, KEYED	
mm	0 PLC ± 1 PLC ±0.2 2 PLC ±0.15 3 PLC ± 4 PLC ± ANGLES ±1 FINISH -	PRODUCT SPEC 108-133073	SIZE A2	CAGE CODE -
MATERIAL - SEE NOTES		APPLICATION SPEC 114-133074	DRAWING NO C-2343404	RESTRICTED TO -
		WEIGHT -	SCALE 2:1	SHEET 4 OF 4
		CUSTOMER DRAWING	REV A3	

X-ON Electronics

Largest Supplier of Electrical and Electronic Components

Click to view similar products for [LED Lighting Mounting Accessories](#) category:

Click to view products by [TE Connectivity](#) manufacturer:

Other Similar products are found below :

[C16142_HEKLA-SOCKET-K](#) [3SU1401-1BG20-1AA0](#) [3SU1900-0BC31-0NB0](#) [ES16-RT](#) [1SFA616921R2042](#) [1SFA616921R2131](#)
[1SFA616921R2133](#) [1SFA616921R2143](#) [1SFA611621R1093](#) [B8910020](#) [D3980022](#) [E3990022](#) [E3990040](#) [CABI12 E BK 1M SET PRM](#)
[FLAT8 H/U BK 1M SET PRM](#) [BEGTIN12 J/S BK 1M SET PRM](#) [1-2213678-6](#) [C16791_CLAMP-Z45-A](#) [F17250_SOLDER-CLIP-A](#) [CM22-](#)
[4-20MA](#) [CM22-R10K-MT](#) [CM22-R1K](#) [CM22-R50K](#) [CM22-R5K-MT](#) [CM22-SLR](#) [10465](#) [M22-A](#) [M22-CK11](#) [M22-CK20](#) [M22G-XGPV](#)
[M22-K01](#) [M22-LCH-W](#) [M22-LC-R](#) [M22-LED230-R](#) [M22-LED230-W](#) [M22-LEDC230-G](#) [M22-LEDC-G](#) [M22-LEDC-W](#) [M22-LED-G](#)
[M22-LED-W](#) [M22-L-G](#) [M22-LH-G](#) [M22-LH-R](#) [M22-LH-W](#) [M22-L-R](#) [M22-L-W](#) [M22-L-X](#) [M22-R10K](#) [M22-R1K](#) [M22-R470K](#)