

THIS DRAWING IS UNPUBLISHED.

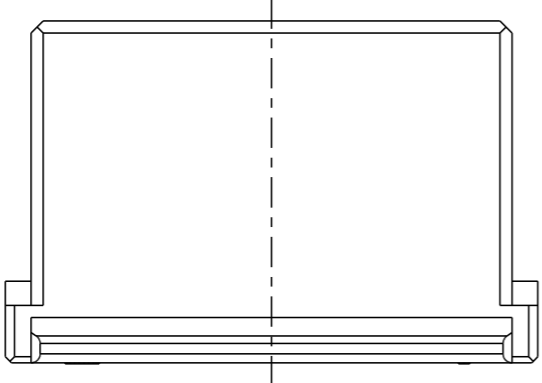
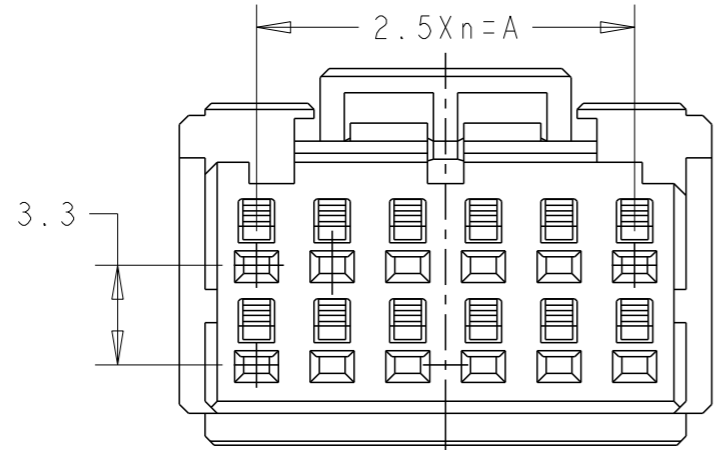
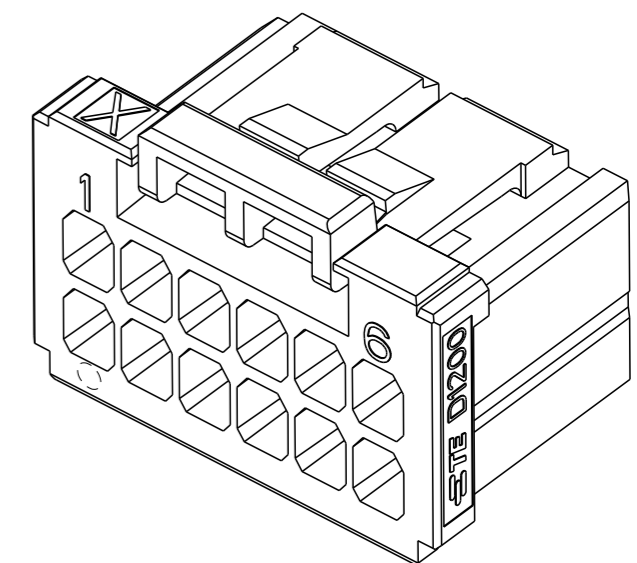
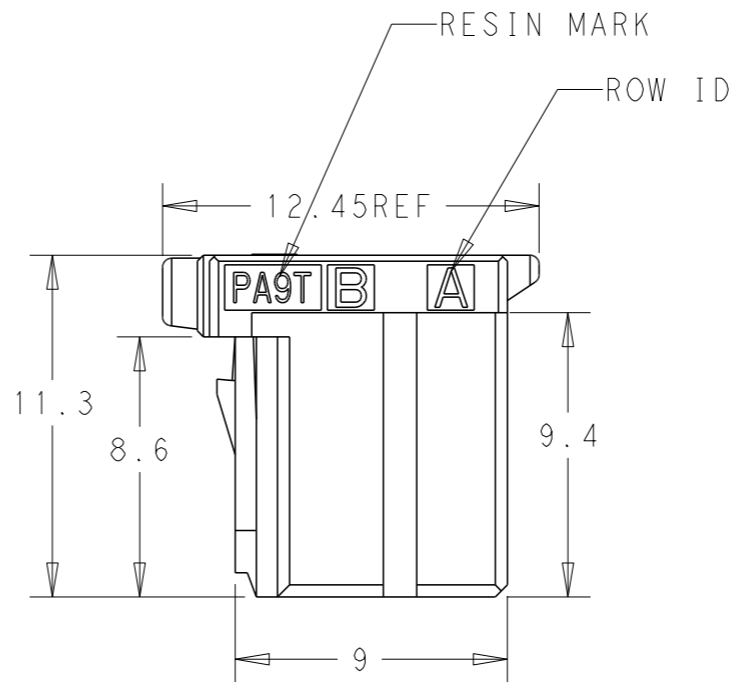
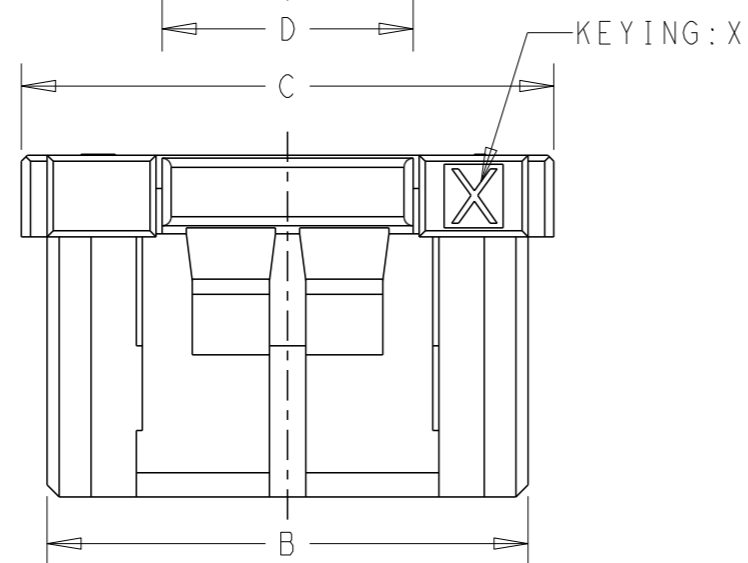
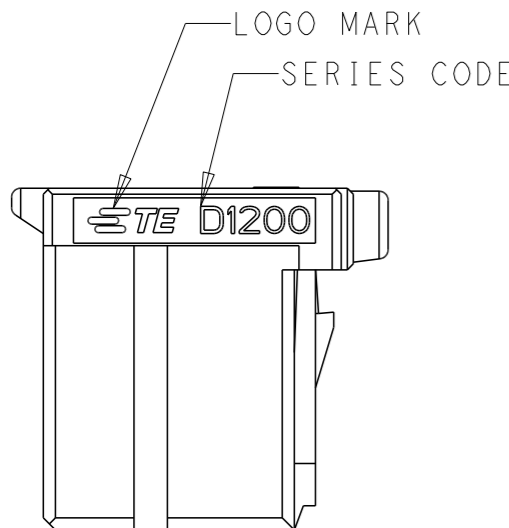
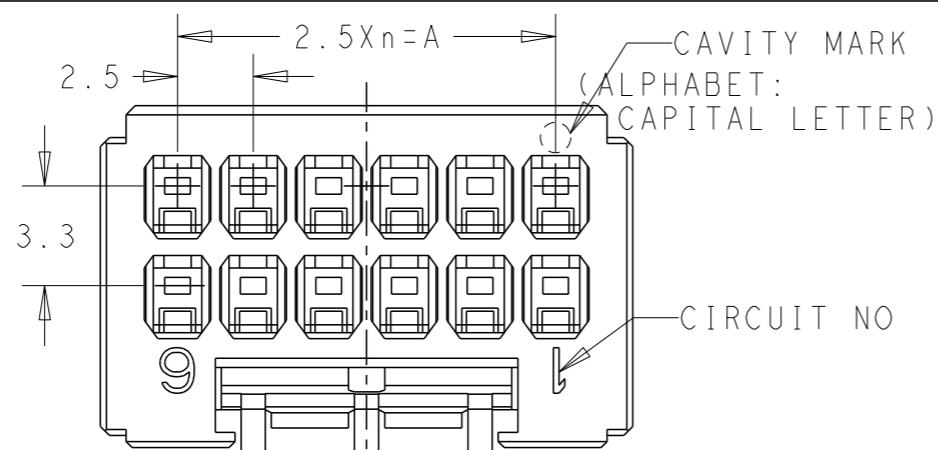
RELEASED FOR PUBLICATION

20

REVISIONS

© COPYRIGHT 2021 TE Connectivity. All Rights Reserved. ALL RIGHTS RESERVED.


P	LTR	DESCRIPTION	DATE	DWN	APVD
	A1	REVISED PER ECR-21-000823	21 JAN 2021	F. Z	R. B



12POS(X-KEY): 1-2349949-6

- 1. MATERIAL: GLASS FILED THERMO PLASTIC POLYESTER(94V-0), COLOR: BLACK
- 2. THE SHAPE, SIZE AND POSITION OF THE CHARACTER SHOW THE OUTLINE. THEY DON'T SHOW DETAILS.

①	20	X	9	22.5	25.9	27.6	8.3	1-2349949-0
	12	X	5	12.5	15.9	17.6	8.3	1-2349949-6
	8	X	3	7.5	10.9	12.6	3.3	1-2349949-4
	POSKEY	n	A	B	C	D		PART NO

THIS DRAWING IS A CONTROLLED DOCUMENT.		DWN 22 JAN 2021 FISHER, ZHU	 TE Connectivity	
DIMENSIONS: mm		CHK 15 JAN 2019 RICK, BIAN		
TOLERANCES UNLESS OTHERWISE SPECIFIED: ±0.3, ±5°		APVD 15 JAN 2019 RICK, BIAN	NAME	
0 PLC ±		PRODUCT SPEC	DYNAMIC D1100 SERIES	
1 PLC ±0.3		108-78298, 78268, 137366	4-20POS REC HSG	
2 PLC ±0.1		APPLICATION SPEC	SIZE CAGE CODE DRAWING NO RESTRICTED TO	
3 PLC ±0.001		114-5377	A 300779 C=2349949	
4 PLC ±0.0001		WEIGHT -	SCALE 4:1 SHEET 1 OF 2 REV A1	
ANGLES ±			CUSTOMER DRAWING; RESTRICTED CUSTOMER	
MATERIAL		FINISH -		

B printed on 22 Jan 2021 14:30 from FE304429

4

3

2

1

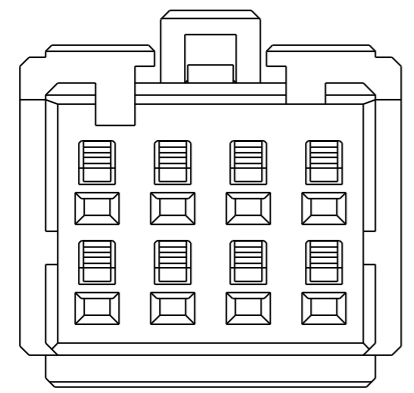
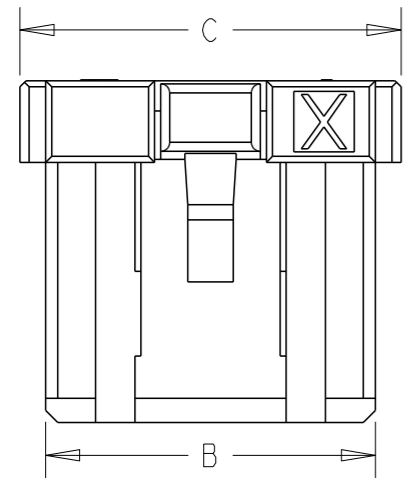
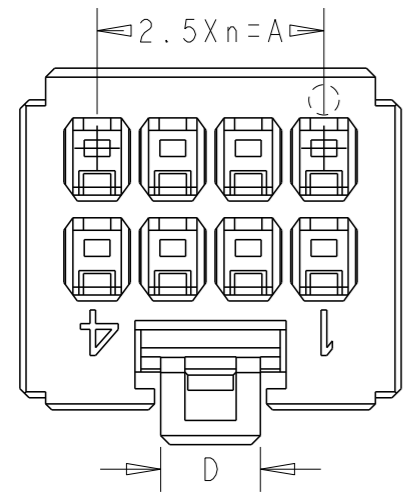
THIS DRAWING IS UNPUBLISHED.

RELEASED FOR PUBLICATION

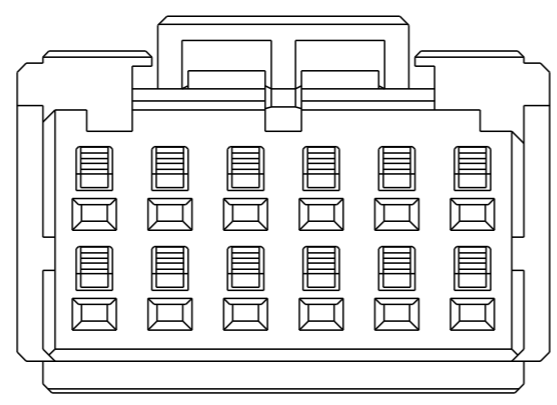
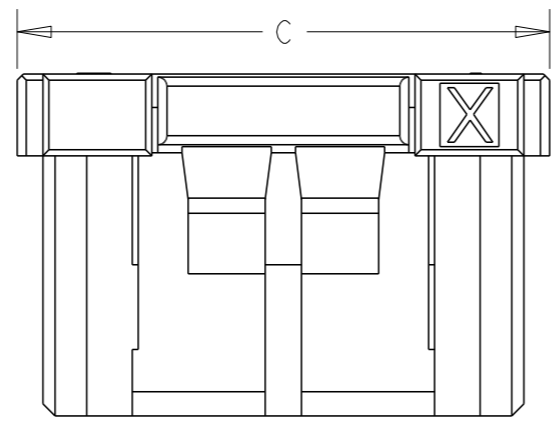
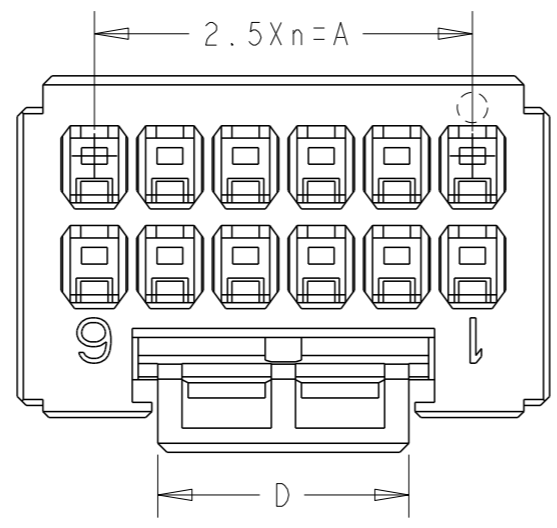
20

© COPYRIGHT 2021 TE Connectivity. All Rights Reserved. ALL RIGHTS RESERVED.

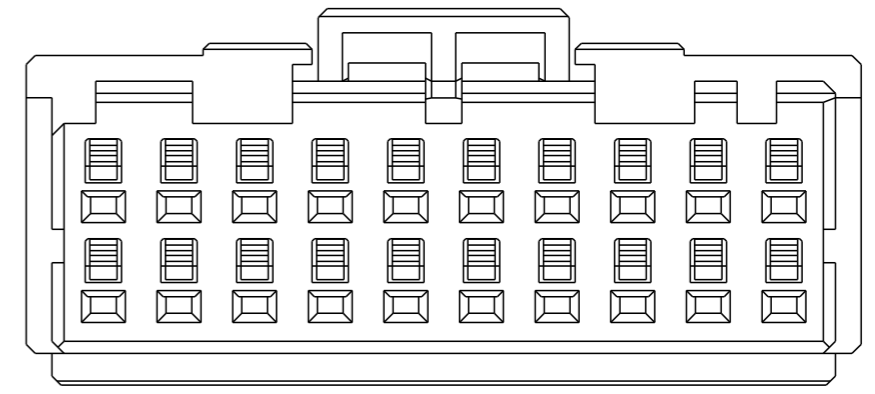
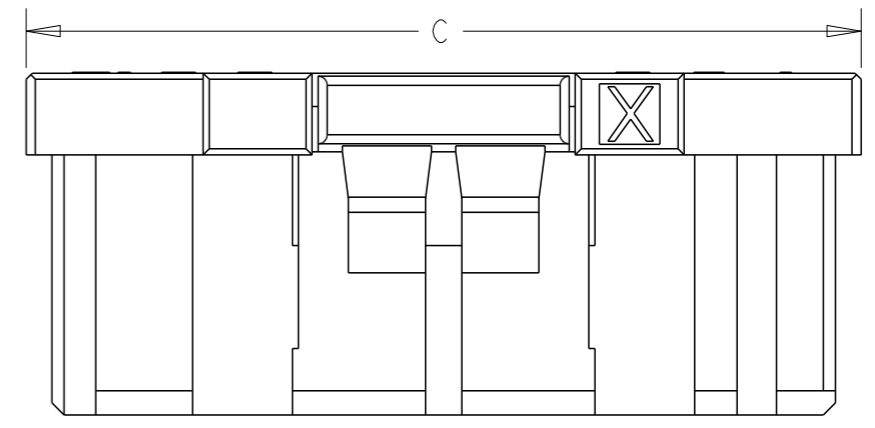
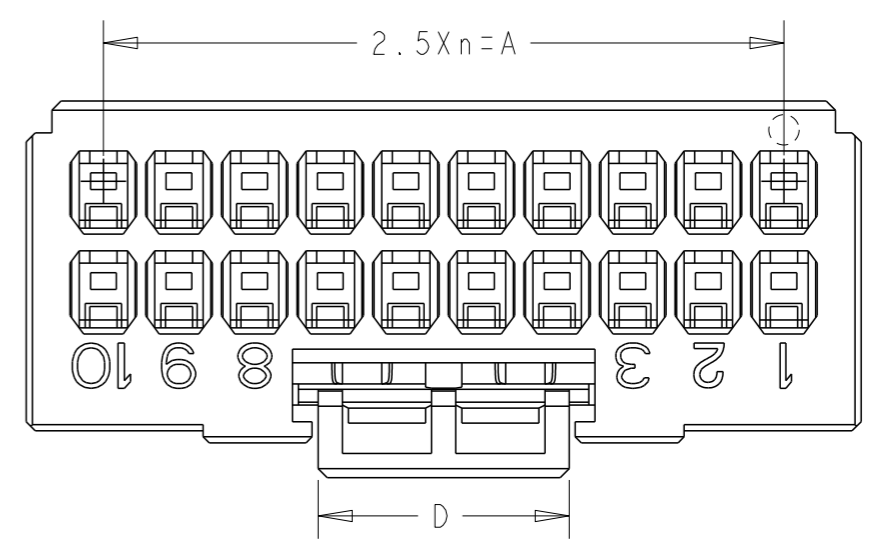
REVISIONS				
P	LTR	DESCRIPTION	DATE	APVD



8POS: 1-2349949-4



12POS: 1-2349949-6



20POS: 1-2349949-0

THIS DRAWING IS A CONTROLLED DOCUMENT.		DWN FISHER, ZHU 22 JAN 2021		
DIMENSIONS: mm		CHK RICK, BIAN 22 JAN 2021		
TOLERANCES UNLESS OTHERWISE SPECIFIED:		APVD RICK, BIAN 22 JAN 2021	NAME	
0 PLC ±- 1 PLC ±0.3 2 PLC ±0.1 3 PLC ±0.001 4 PLC ±0.0001 ANGLES ±-		PRODUCT SPEC -SEE SHEET 1/2	DYNAMIC D1100 SERIES 4=20POS REC HSG	
MATERIAL TBD SEE SHEET 1/2		FINISH -	APPLICATION SPEC -SEE SHEET 1/2	RESTRICTED TO
		WEIGHT -	SIZE A3	CAGE CODE 00779
			DRAWING NO C=2349949	
		CUSTOMER DRAWING; RESTRICTED CUSTOMER		SCALE 4:1
		SHEET 2 OF 2		REV A1

Ⓐ ADD NEW PART: 1-2349949-0

B printed on 22 Jan 2021 14:30 from E304429

X-ON Electronics

Largest Supplier of Electrical and Electronic Components

Click to view similar products for [Rectangular MIL Spec Connectors](#) category:

Click to view products by [TE Connectivity](#) manufacturer:

Other Similar products are found below :

[891-011-15SA2-BSST](#) [M32139/03-B06ST](#) [65002-062](#) [M85049/28-1](#) [M85049/28-2](#) [732-8020-01](#) [77058-22-55PN](#) [81542-20](#) [86.030.0053.0](#)
[GMCT26M0E100JC](#) [890-009-31SA2-BRT1T](#) [SIM2S100A](#) [1604996-2](#) [22628-10-6P-791](#) [CDCR-1A-08](#) [GMCT66F0T0000](#) [CTJ920E06N-513](#)
[CTL-16-090](#) [M81714/63-22S W/PLUGS INS](#) [CY4600-000](#) [CY4601-000](#) [38111-14-15SN](#) [TMN2N037PC2DM018S](#)
[TMN2N051SC2DM018T](#) [33526M11-08PC](#) [33526M11-08PE](#) [3355-5869-000](#) [ZPF000000000106310](#) [105979-31](#) [ZPF000000000015295](#)
[ZPF000000000134011](#) [ZPF000000000106308](#) [ZPF000000000102759](#) [CTG-20-08-513](#) [5634-201-03158](#) [5634-202-03758](#) [MMB41-0071K1](#)
[EN4165A20-221BA](#) [EI-1470-2400](#) [507-002CH](#) [GS85049/48-1-2M](#) [DMC-M12-20AA](#) [DMC-M08-16AN](#) [M55302/57-A36X](#) [891-013-51SS-](#)
[BRST](#) [891-013-51SA2-BRST](#) [891-013-37SS-BRST](#) [891-013-37SA2-BRST](#) [891-012-51PA2-BRST](#) [891-012-25PS-BRST](#)