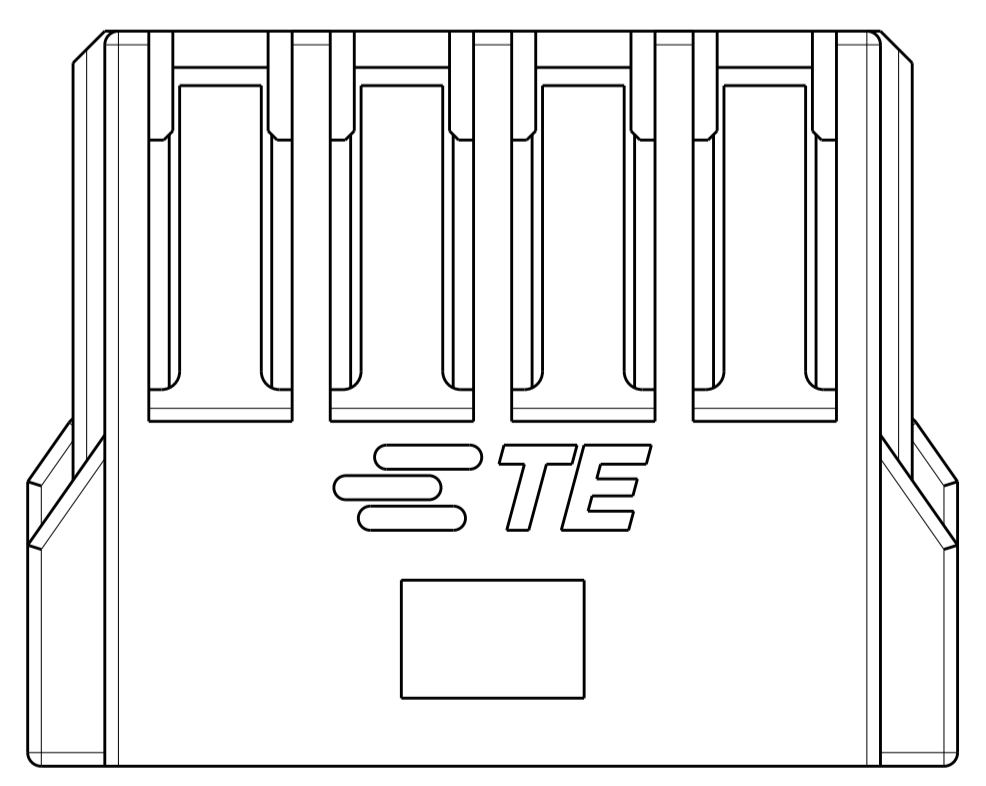
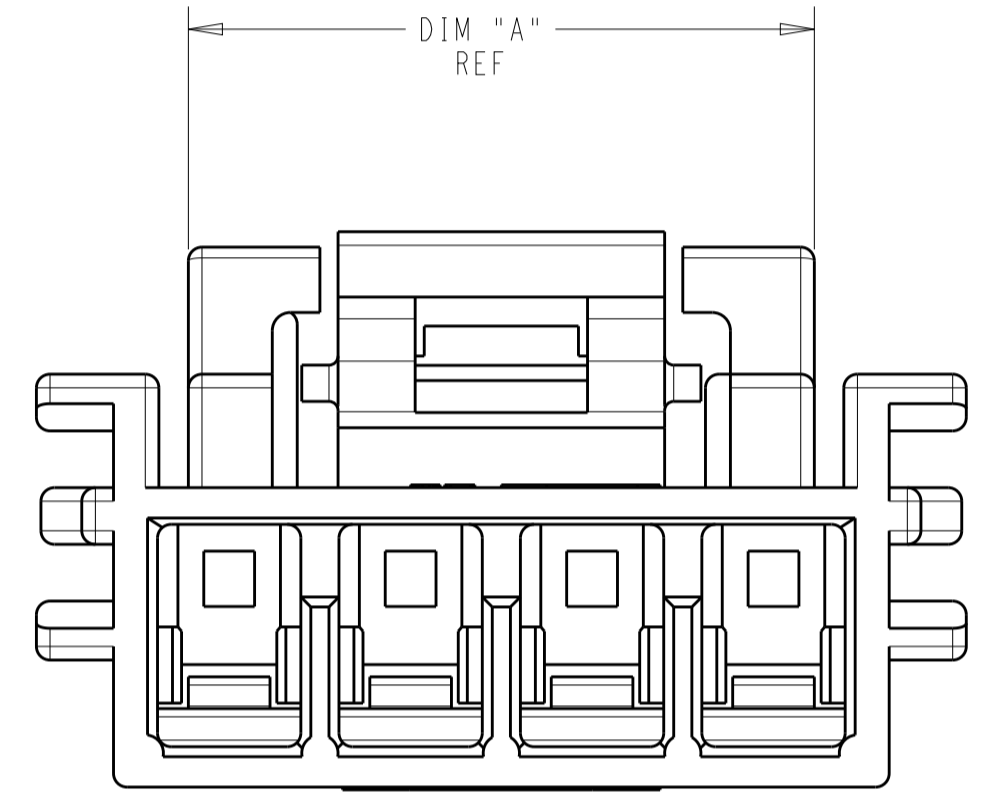
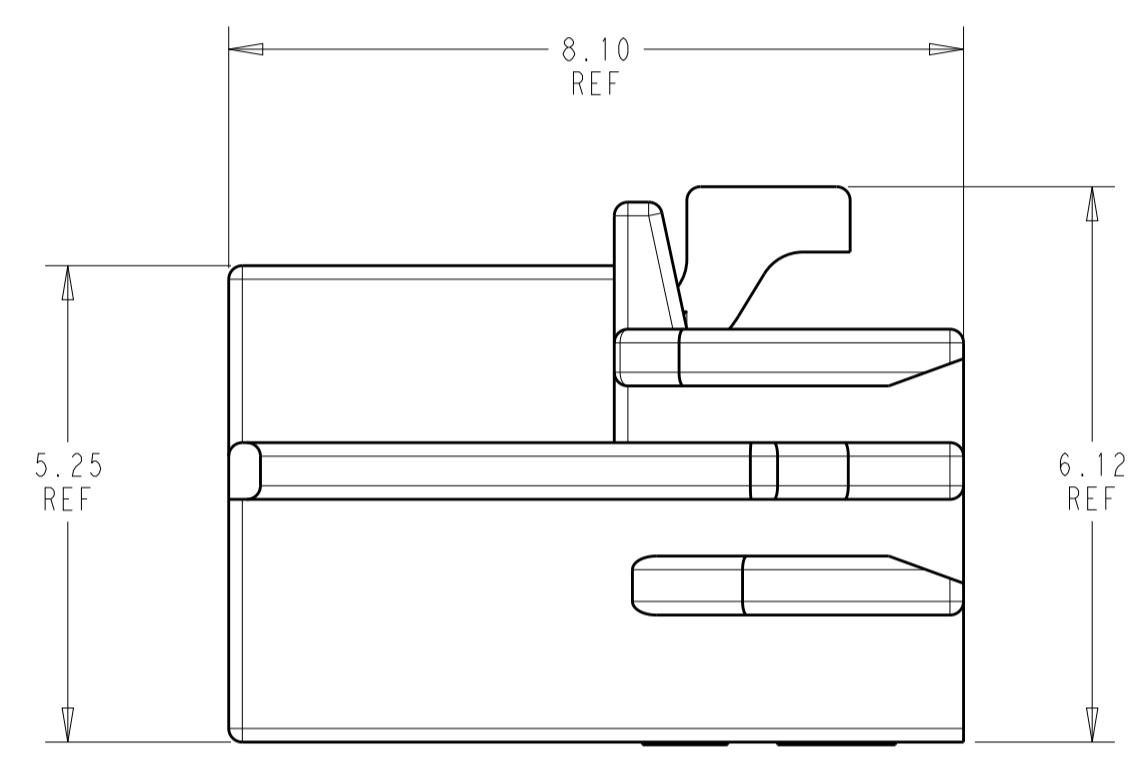
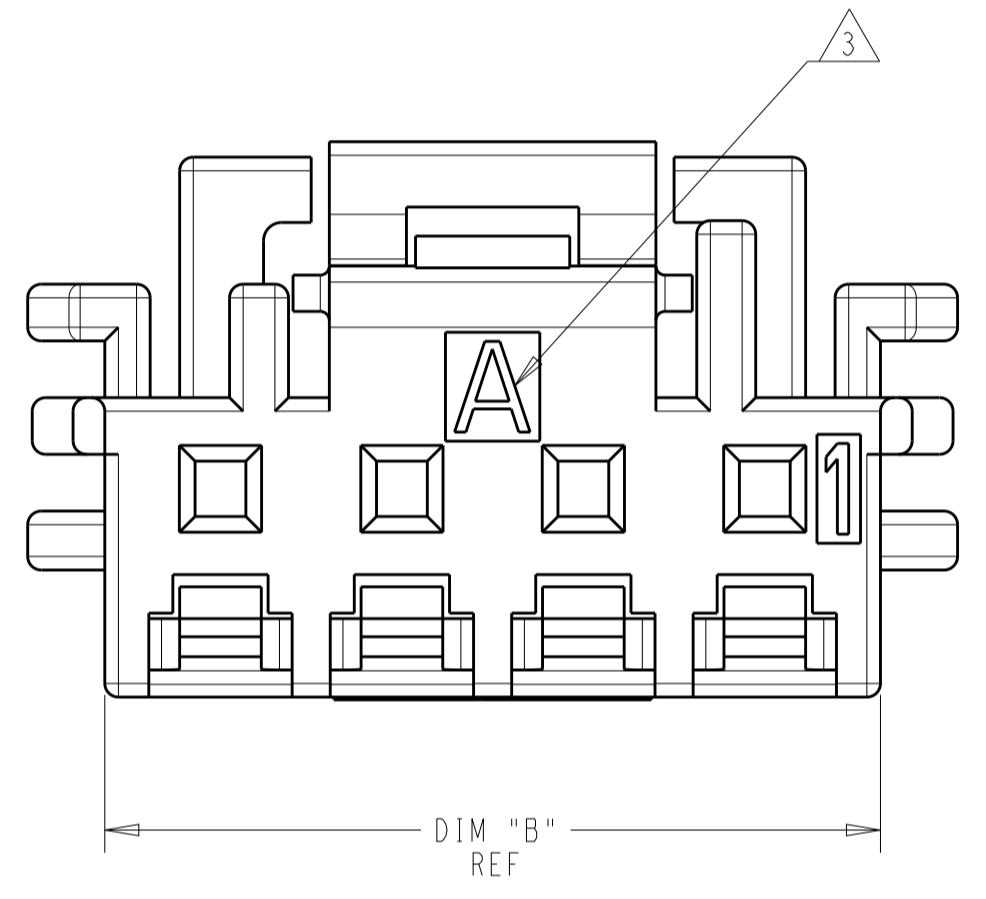
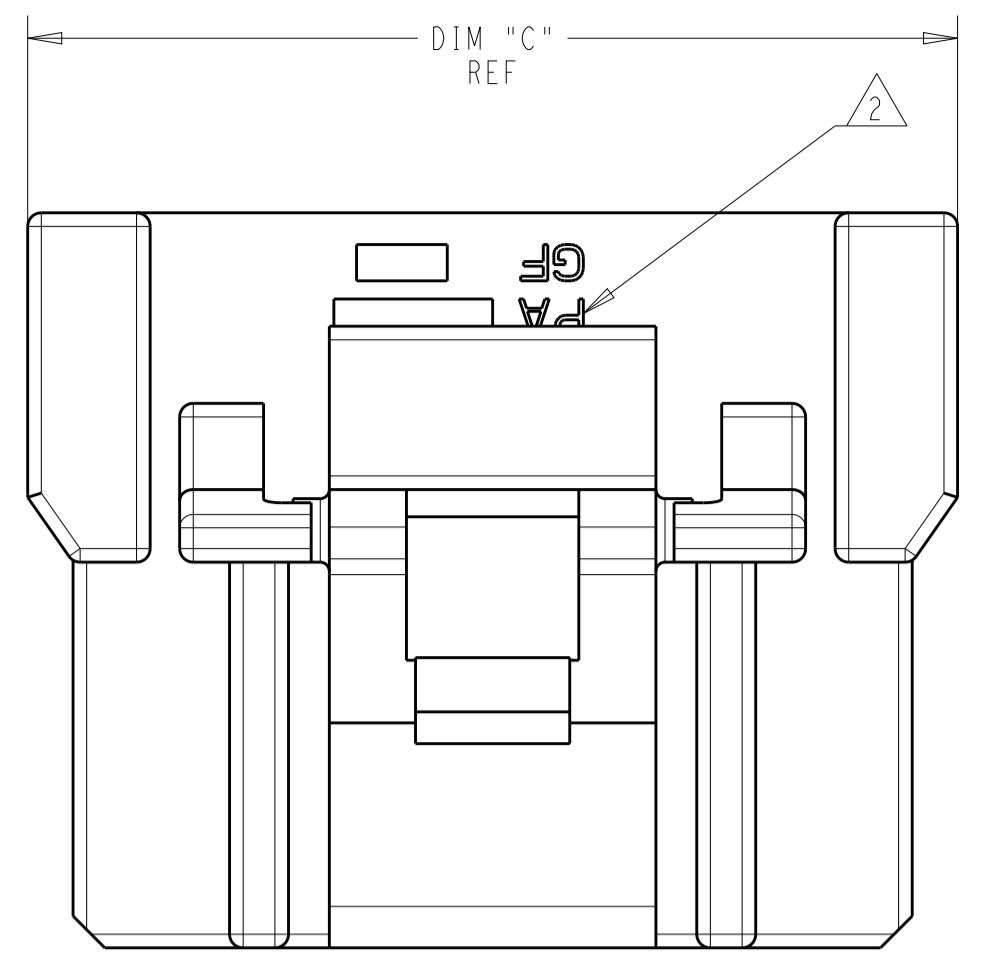


REVISIONS					
P.	LTN	DESCRIPTION	DATE	DWN	APVD
A		RELEASED PER ECO-20-008335	15JUN2020	BKW	SW

- ⚠ MATERIAL: PA, GLASS FILLED, COLOR: SEE TABLE
- ⚠ MATERIAL MARK: PA GF
- ⚠ KEYING ID MARK
- 4. THIS PRODUCT HAS NOT COMPLETED QUALIFICATION TESTING.



DIM "C"	DIM "B"	DIM "A"	COLOR	KEYING	POSITIONS	PART NUMBER
22.25	20.55	6.90	BLACK	KEY B	1*10	3-2350224-0
20.25	18.55	6.90	BLACK	KEY B	1*9	2-2350224-9
18.25	16.55	6.90	BLACK	KEY B	1*8	2-2350224-8
16.25	14.55	6.90	BLACK	KEY B	1*7	2-2350224-7
14.25	12.55	6.90	BLACK	KEY B	1*6	2-2350224-6
12.25	10.55	6.90	BLACK	KEY B	1*5	2-2350224-5
10.25	8.55	6.90	BLACK	KEY B	1*4	2-2350224-4
8.25	6.55	7.30	BLACK	KEY B	1*3	2-2350224-3
6.25	4.55	5.30	BLACK	KEY B	1*2	2-2350224-2
22.25	20.55	6.90	NATURAL	KEY A	1*10	2-2350224-0
20.25	18.55	6.90	NATURAL	KEY A	1*9	1-2350224-9
18.25	16.55	6.90	NATURAL	KEY A	1*8	1-2350224-8
16.25	14.55	6.90	NATURAL	KEY A	1*7	1-2350224-7
14.25	12.55	6.90	NATURAL	KEY A	1*6	1-2350224-6
12.25	10.55	6.90	NATURAL	KEY A	1*5	1-2350224-5
10.25	8.55	6.90	NATURAL	KEY A	1*4	1-2350224-4
8.25	6.55	7.30	NATURAL	KEY A	1*3	1-2350224-3
6.25	4.55	5.30	NATURAL	KEY A	1*2	1-2350224-2

THIS DRAWING IS A CONTROLLED DOCUMENT.

DIMENSIONS: mm

TOLERANCES UNLESS OTHERWISE SPECIFIED:

0 PLC	±
1 PLC	±
2 PLC	±
3 PLC	±
4 PLC	±
ANGLES	±
FINISH	-

MATERIAL: ⚠

APPROVED: B. WEAVER, 21JUN2019

CHECKED: C. YI, 21JUN2019

DESIGNED: T. BENCHOFF, 21JUN2019

PRODUCT SPEC: -

APPLICATION SPEC: -

WEIGHT: -

CUSTOMER DRAWING

NAME: PLUG HOUSING, SGI 2.0

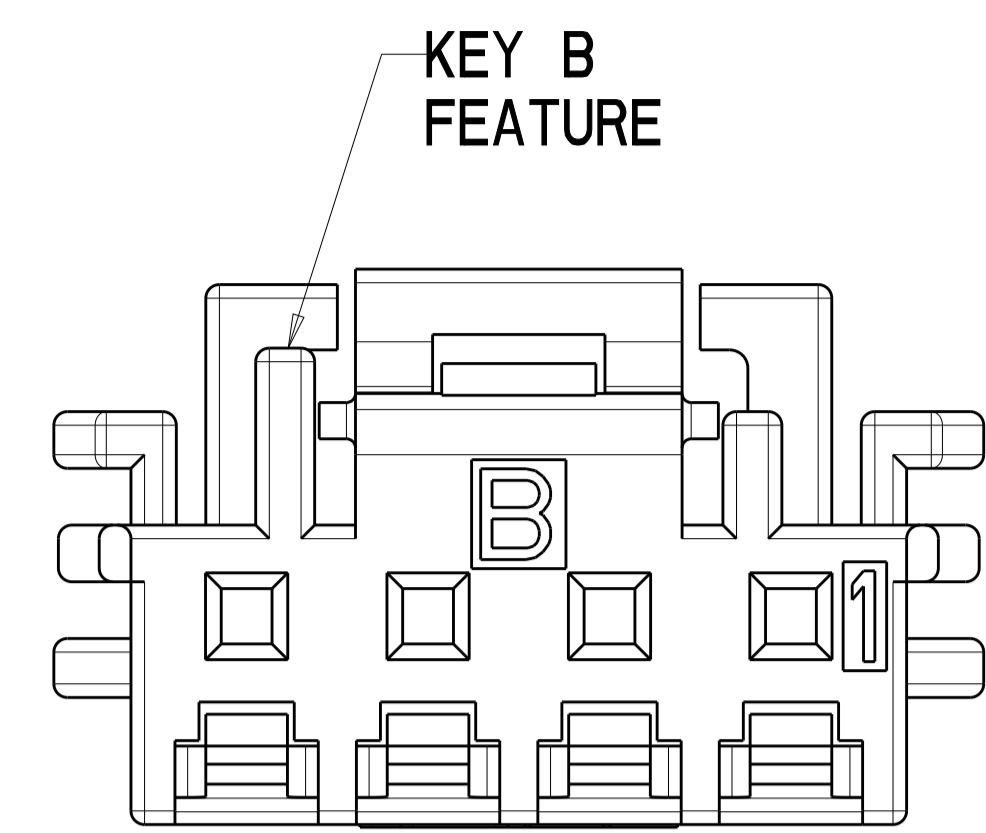
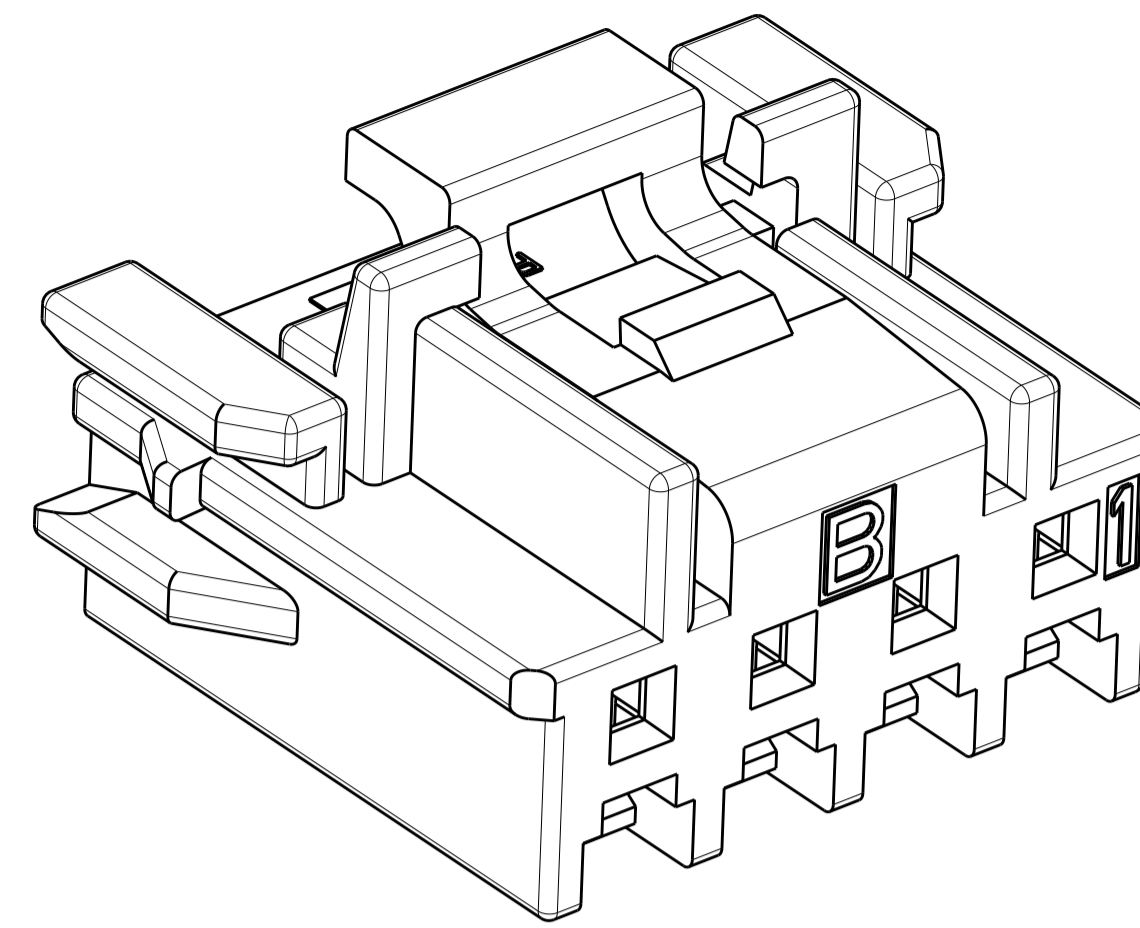
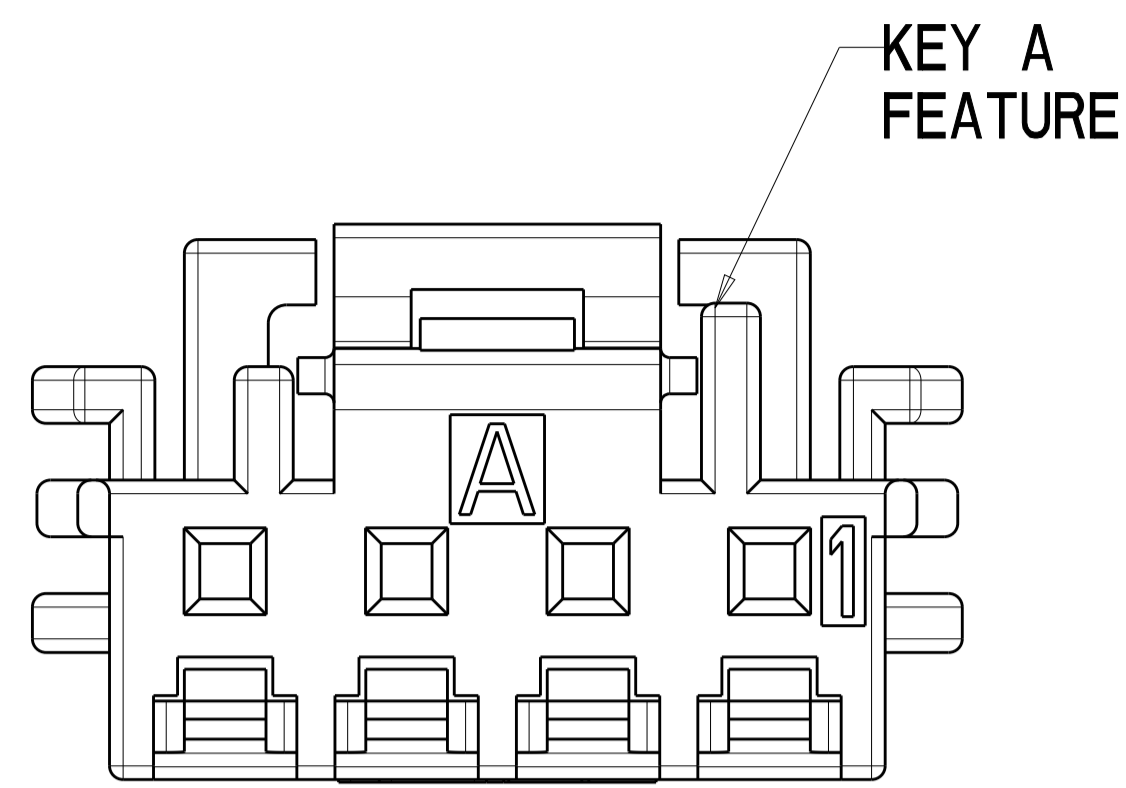
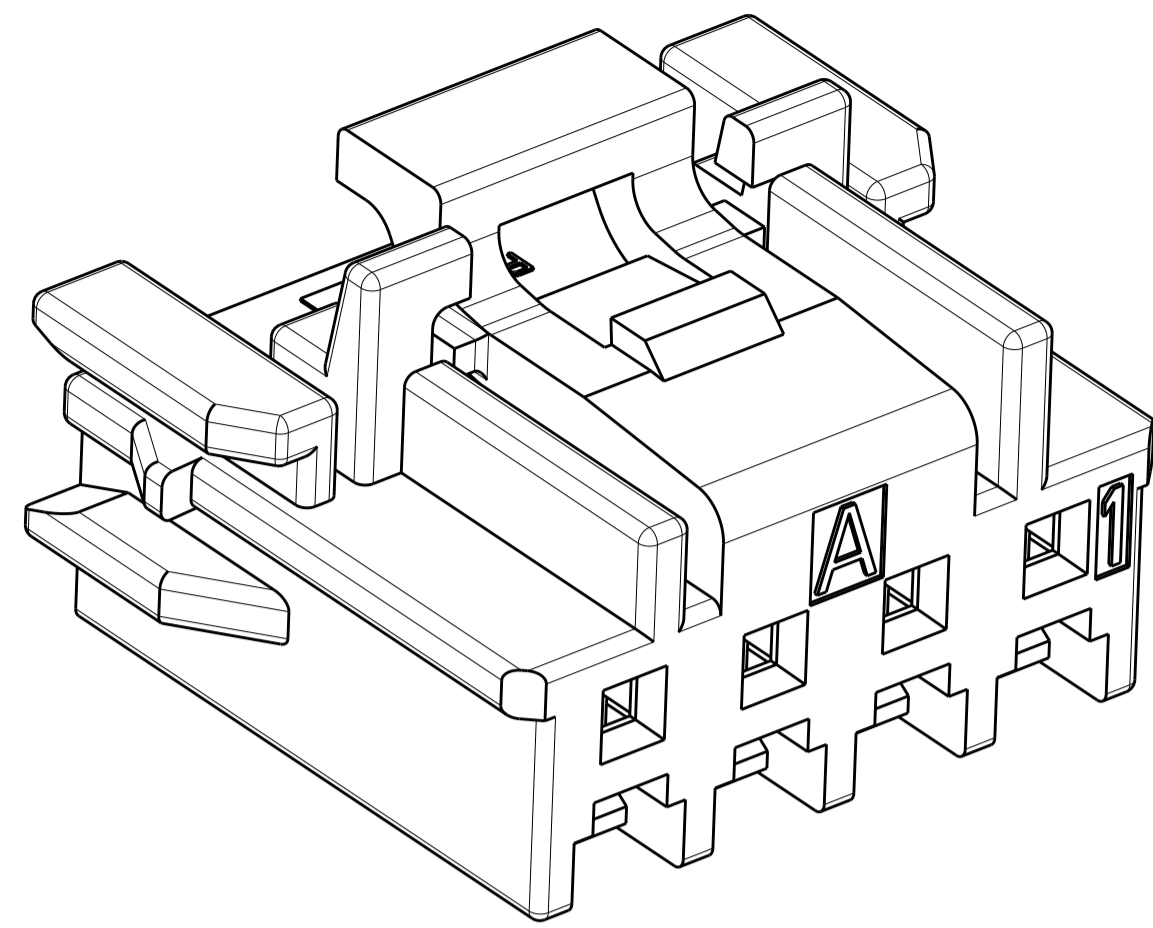
SIZE: A | 00779 | C=2350224

SCALE: 12:1

SHEET 1 OF 3

REV A

REVISIONS				
P.	LTN	DESCRIPTION	DATE	APVD
-	-	SEE SHEET 1	-	-

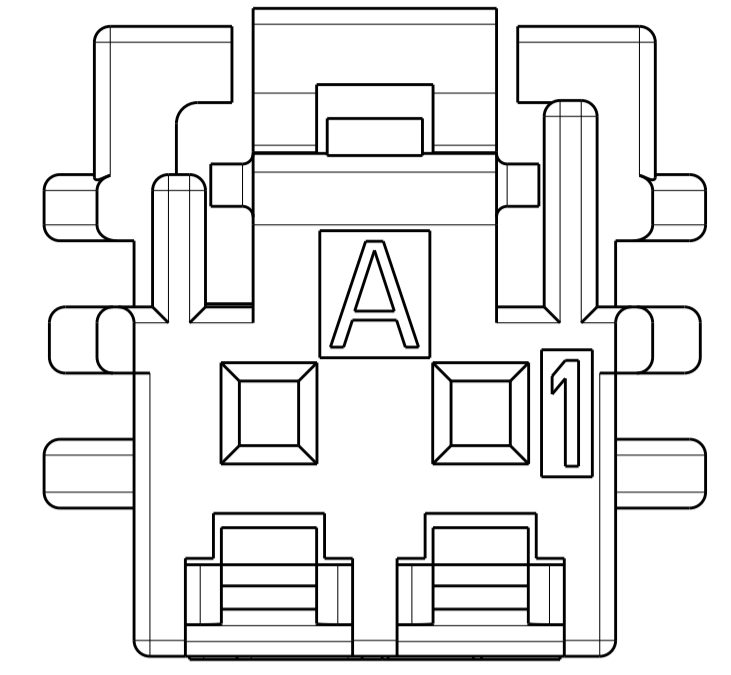


KEY B
FEATURE

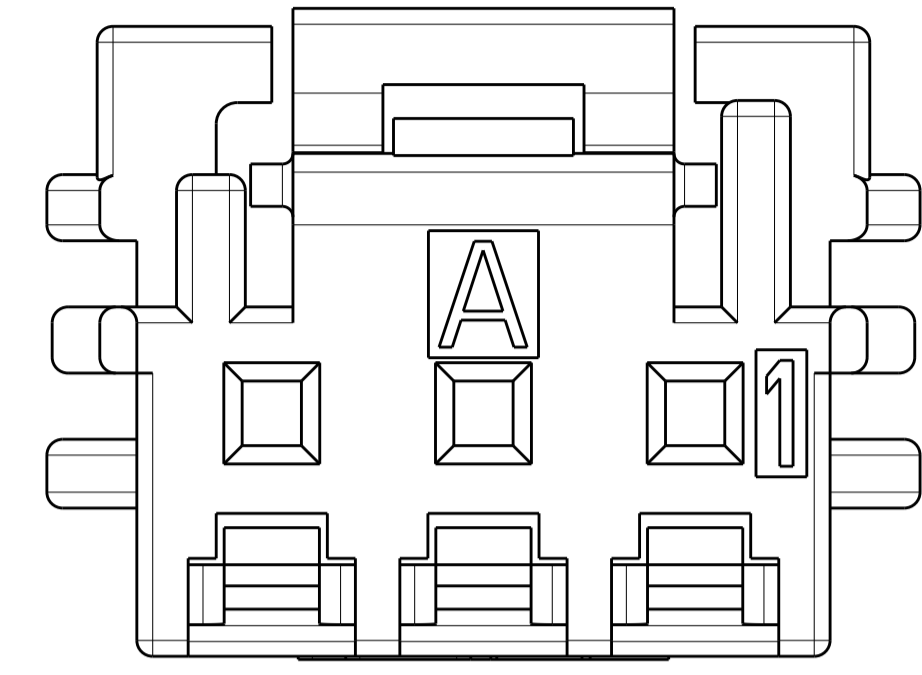
THIS DRAWING IS A CONTROLLED DOCUMENT.		DWN B. WEAVER 21JUN2019	
DIMENSIONS:		CHK C. YI 21JUN2019	
mm	TOLERANCES UNLESS OTHERWISE SPECIFIED:	APVD T. BENCHOFF 21JUN2019	NAME PLUG HOUSING, SGI 2.0
0 PLC ±	0.15	PRODUCT SPEC	PRODUCT SPEC
1 PLC ±	0.25	APPLICATION SPEC	APPLICATION SPEC
2 PLC ±	0.30	WEIGHT	WEIGHT
3 PLC ±	0.40	SCALE	SCALE 12:1
4 PLC ±	0.50	SHEET	SHEET 2 OF 3
ANGLES ±	0.10	REV	REV A
FINISH		CUSTOMER DRAWING	

REVISIONS				
P.	LTN	DESCRIPTION	DATE	APVD
-	-	SEE SHEET 1	-	-

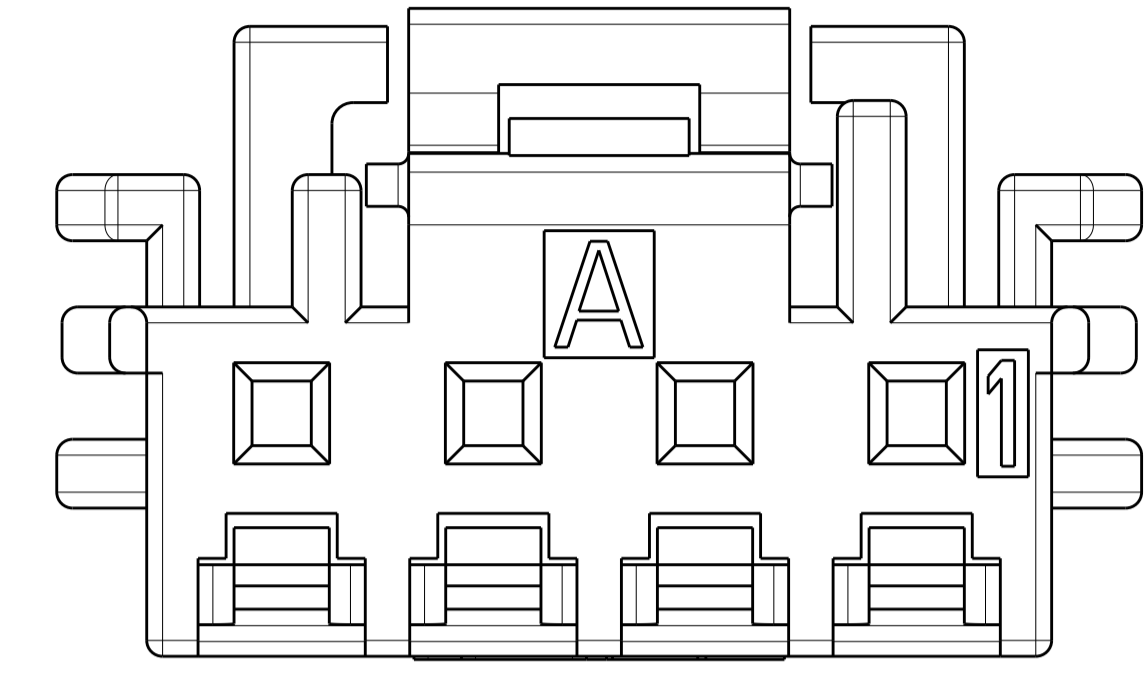
2 POSITION



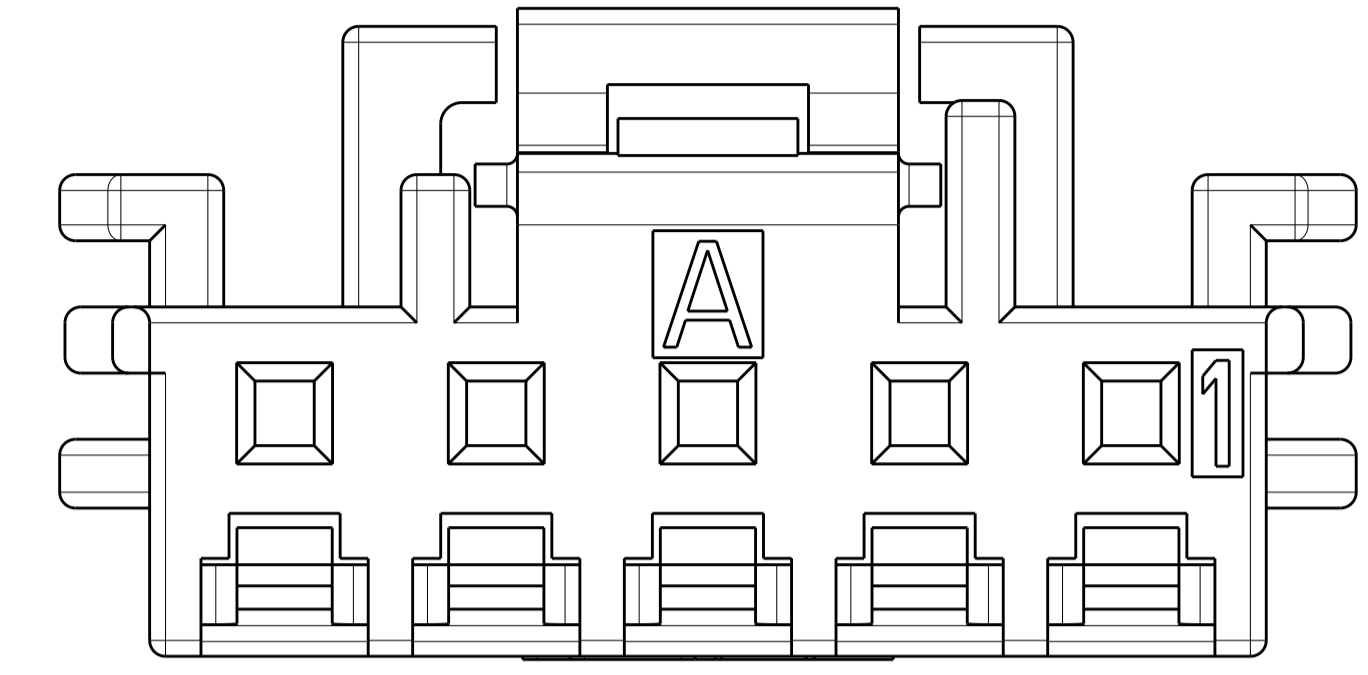
3 POSITION



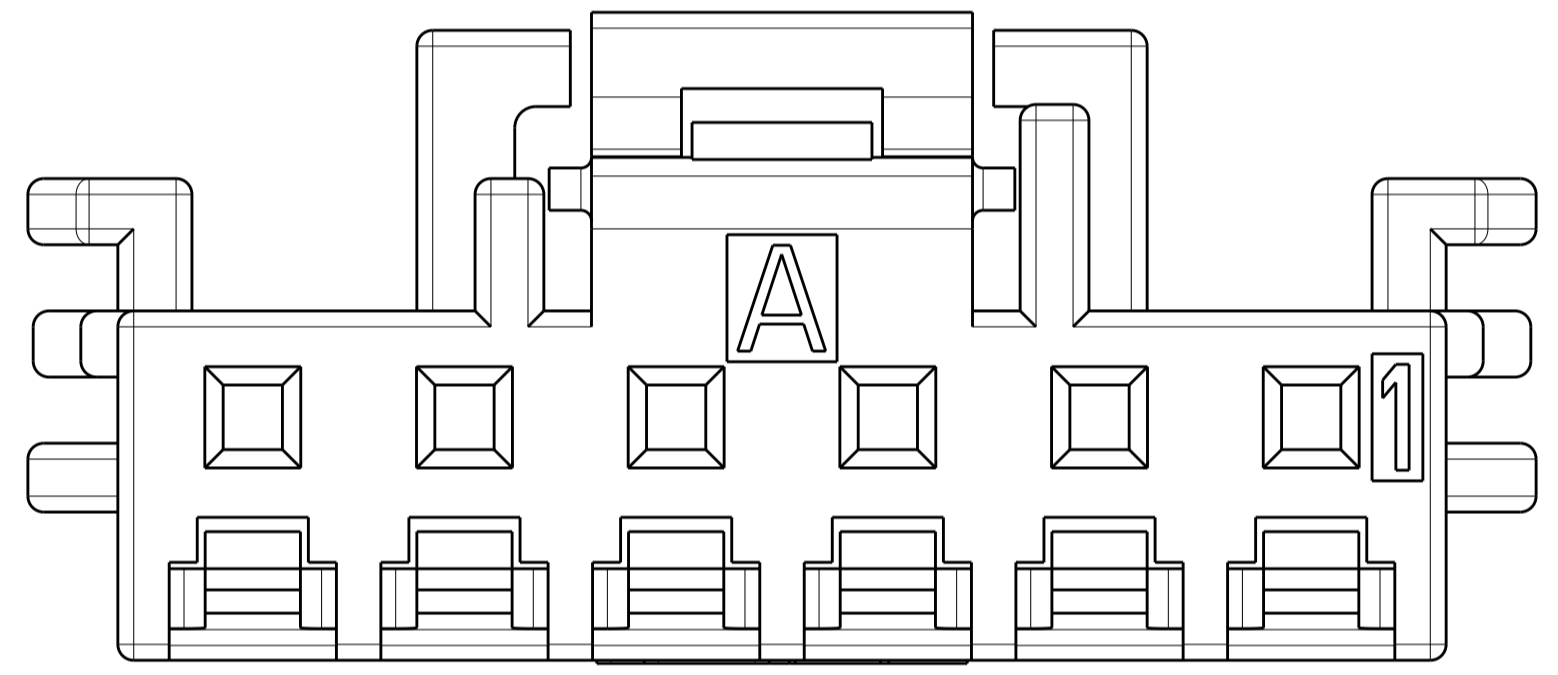
4 POSITION



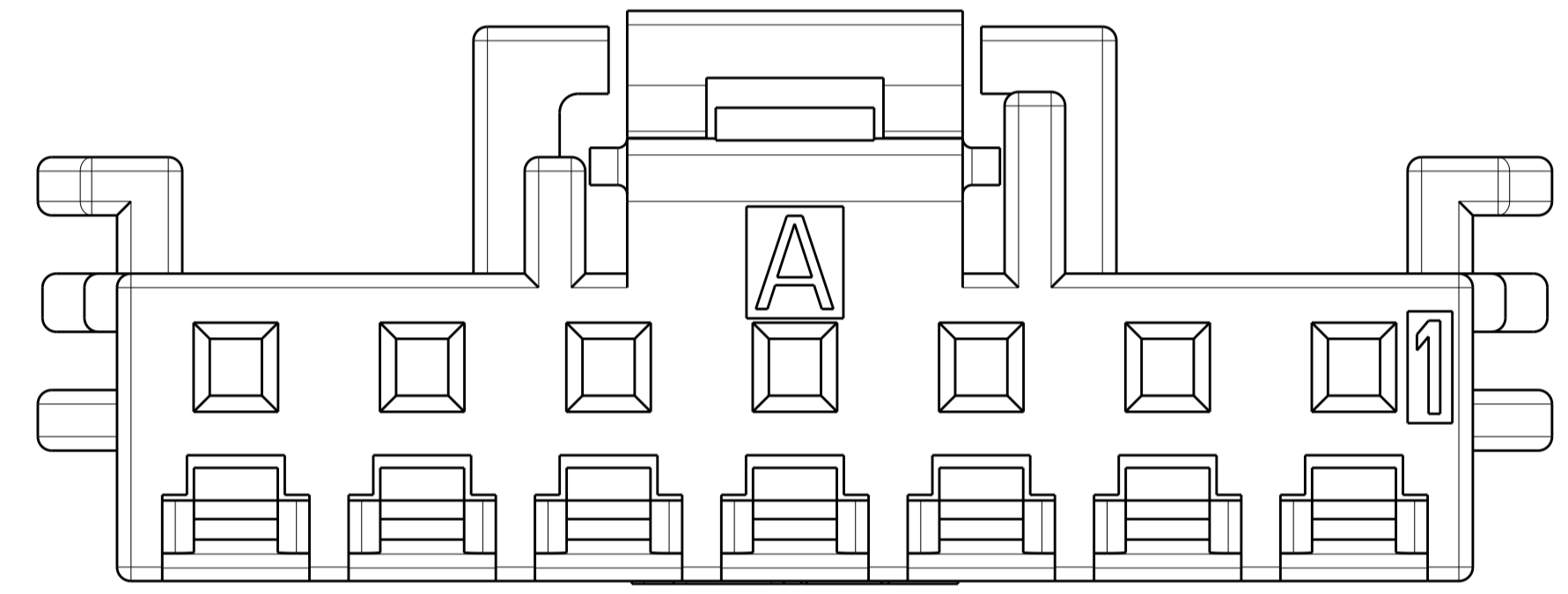
5 POSITION



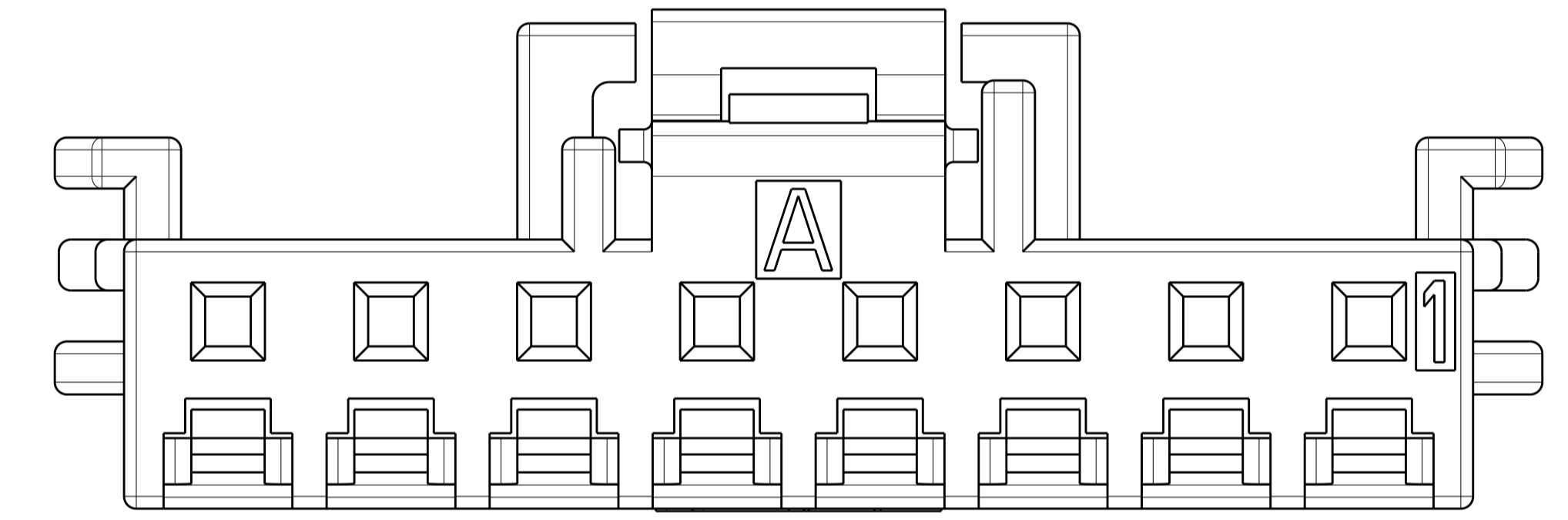
6 POSITION



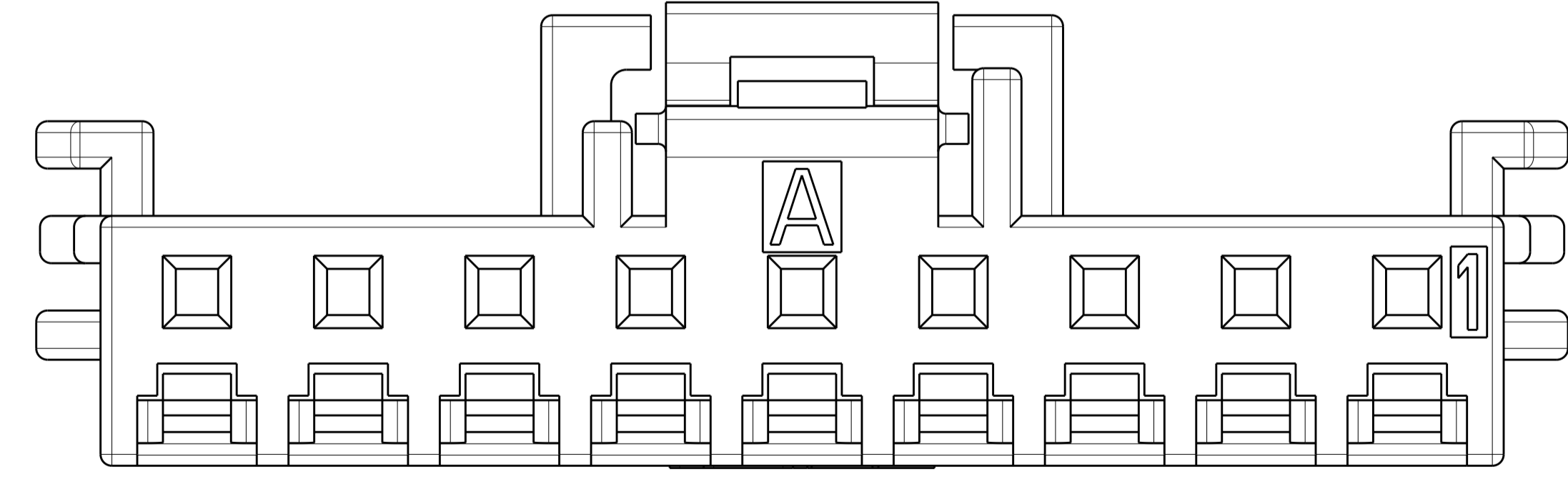
7 POSITION



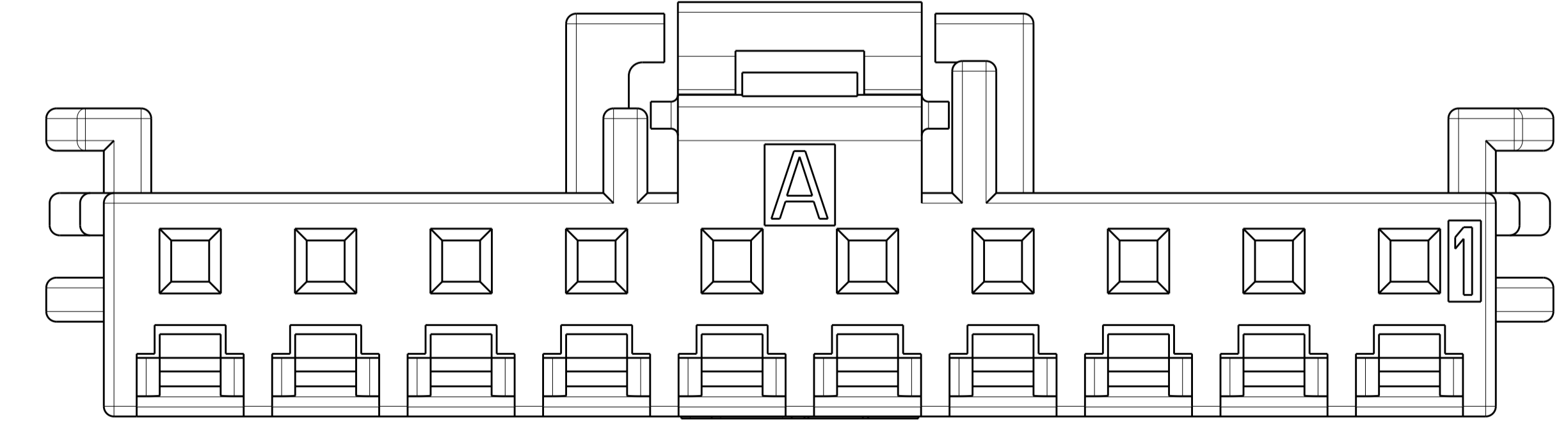
8 POSITION



9 POSITION



10 POSITION



THIS DRAWING IS A CONTROLLED DOCUMENT.		DWN: B. WEAVER 21JUN2019	
DIMENSIONS: mm		CHK: C. YI 21JUN2019	
TOLERANCES UNLESS OTHERWISE SPECIFIED:		APVD: T. BENCHOFF 21JUN2019	NAME: PLUG HOUSING, SGI 2.0
0 PLC	±	PRODUCT SPEC	SIZE: A
1 PLC	±	APPLICATION SPEC	CAGE CODE: 00779
2 PLC	±	WEIGHT	DRAWING NO: 2350224
3 PLC	±	CUSTOMER DRAWING	SCALE: 12:1
4 PLC	±		SHEET: 3 OF 3
ANGLES	±		REV: A
FINISH	-		

X-ON Electronics

Largest Supplier of Electrical and Electronic Components

Click to view similar products for [Rectangular MIL Spec Connectors](#) category:

Click to view products by [TE Connectivity](#) manufacturer:

Other Similar products are found below :

[891-011-15SA2-BSST](#) [CTS-S16/16](#) [65002-062](#) [CY4602-000](#) [732-8020-01](#) [77058-22-55PN](#) [81542-20](#) [86.030.0053.0](#) [1241346-1](#) [RM252-020-311-2900](#) [DMC-M 08-16 SA](#) [DMC-M 08-16 SAE](#) [1589051-4](#) [MSO34MPK1E1](#) [BACC65CAMA](#) [BACC65CP1PN](#)
[BACI10BC0816PNBA](#) [HSB-D4S03DM222X](#) [2217548-1](#) [891-006-9PS-BST1T](#) [891-009-15SA2-BRT1T](#) [27963-20T12](#) [SIM2N40NC3](#)
[SIM2S100A](#) [1604996-2](#) [SMD25PN90L-4055](#) [1900ND08S1B00A](#) [22628-10-6P-791](#) [RE04-212S](#) [M32139/03-G05SN](#) [CTD160E01F-6148](#)
[CTJ112E03B](#) [CTJ122E02D-8000](#) [CTJ-3D-12](#) [CTJ920E06N-513](#) [CTJ920E12N-513](#) [CTL-16-090](#) [CY4600-000](#) [CY4601-000](#) [38111-14-15SN](#)
[38112-14-15PN](#) [MMA23-0111R1](#) [MMD25-0071P1](#) [33516062020](#) [33526M11-08PE](#) [DMC-M99-01AN](#) [Y59113WE20PNV00300](#)
[ZPF000000000106310](#) [105979-31](#) [EN4165M01AD0G0](#)