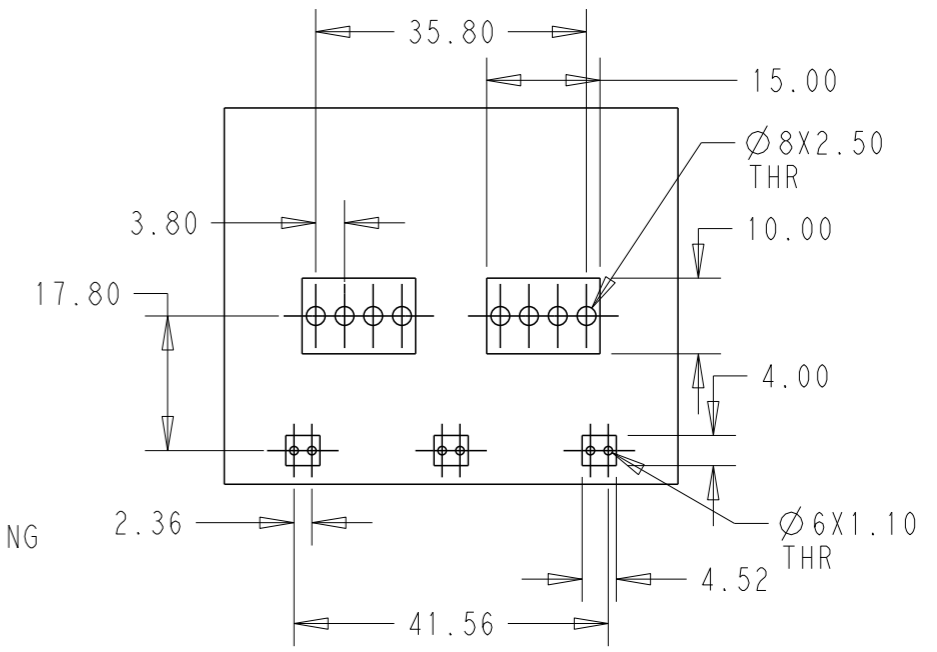
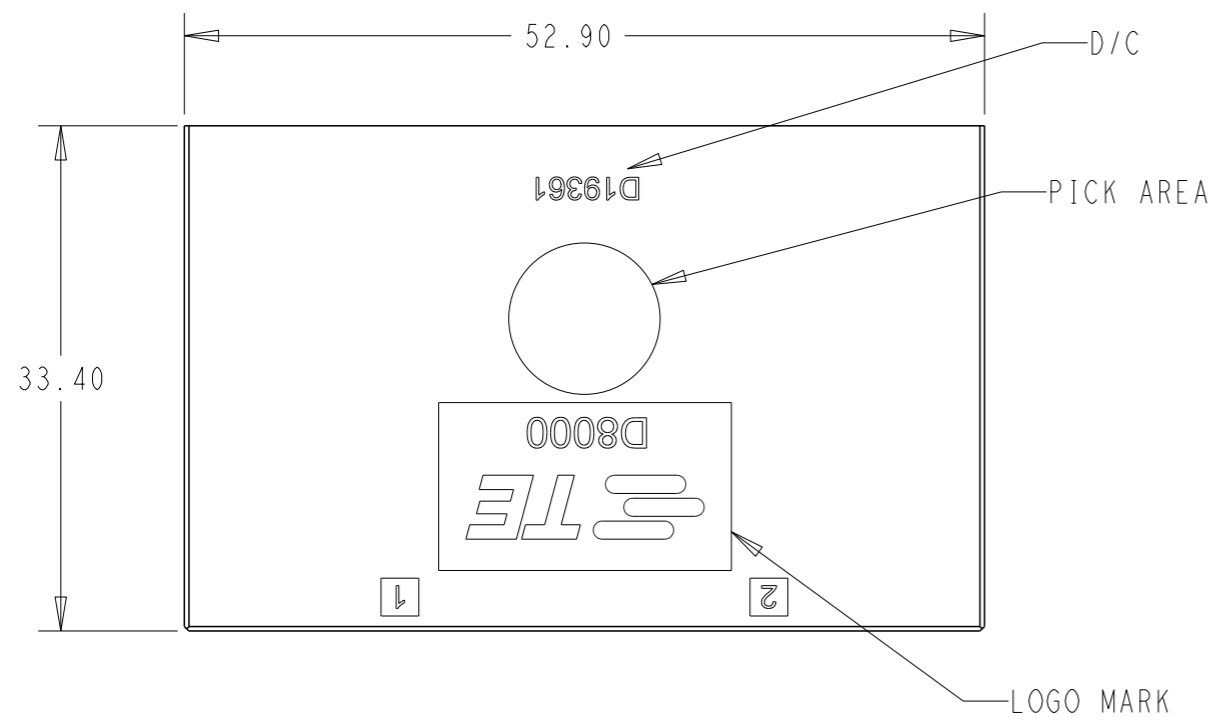


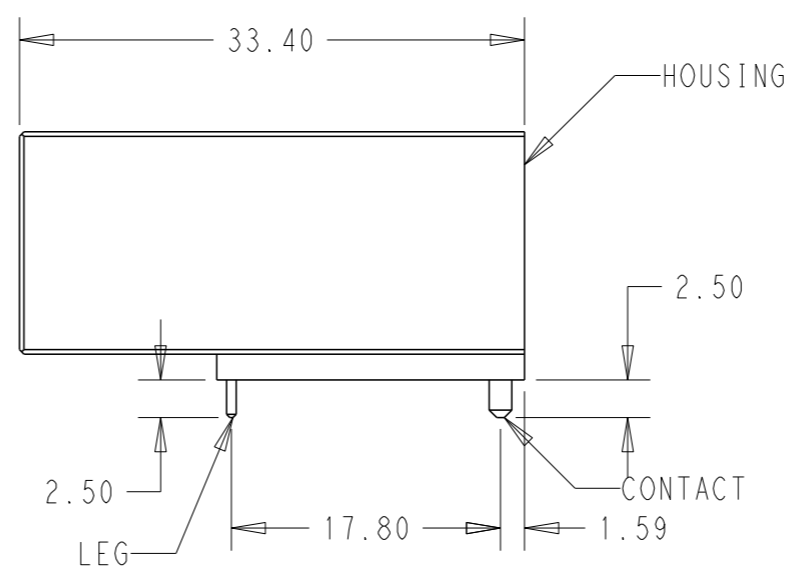
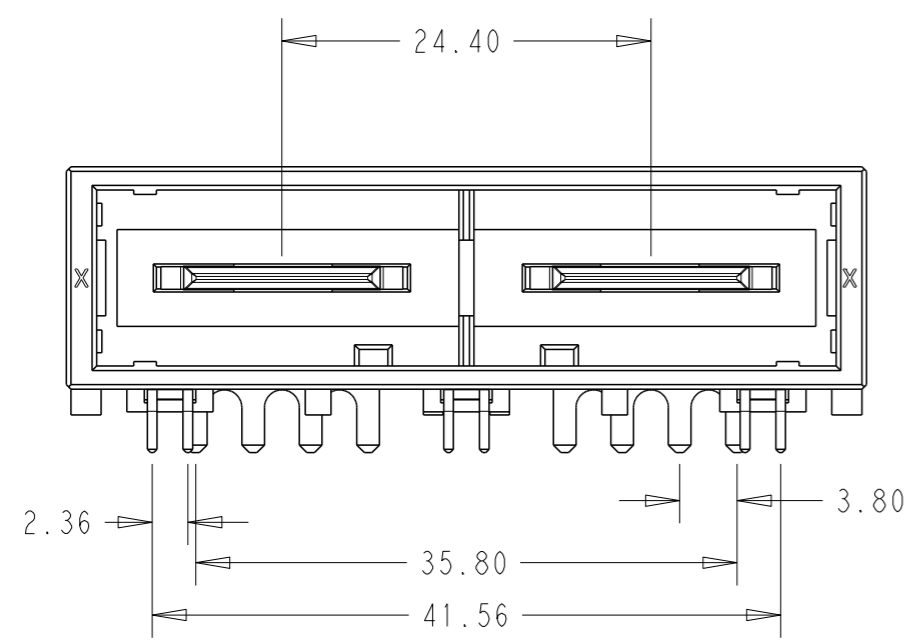
REVISIONS

P	LTR	DESCRIPTION	DATE	DWN	APVD
	A	INITIAL	21JUN2020	A.W	R.B

AS SHOWN:1-2351965-2



RECOMENDED PC BOARD HOLE PATTERN(TOL±0.05)
PC BOARD THICKNESS:1.6±0.1



- NOTES
- MATERIAL:HOUSING:GLASS FILED THERMO PLASTIC, POLYESTER(94V-0),COLOR:BLACK
TAB CONTACT:COPPER ALLOY
RETENTION LEG:COPPER ALLOY
 - FINISH(CONTACT AREA):Ag PLATING OVER NICKEL
FINISH(SOLDER AREA):LEAD FREE TIN PLATING OVER NICKEL
 - FINISH(RETENTION LEG):LEAD FREE TIN OVER NICKEL

THIS DRAWING IS A CONTROLLED DOCUMENT.		DWN ALVIN.W 24MAR2020	TE Connectivity	
		CHK RICK.B 24MAR2020		
DIMENSIONS: mm		APVD RICK.B 24MAR2020	NAME HEADER ASSEMBLY D8000,DYNAMIC	
TOLERANCES UNLESS OTHERWISE SPECIFIED: 0 PLC ± 1 PLC ±0.5 2 PLC ±0.4 3 PLC ± 4 PLC ± ANGLES ±		PRODUCT SPEC 108-140254	RESTRICTED TO	
MATERIAL SEE NOTE		APPLICATION SPEC 114-78058	SIZE A3	CAGE CODE 00779
FINISH SEE NOTE		WEIGHT 25.54g	DRAWING NO C-2351965	REV A
CUSTOMER DRAWING			SCALE 1:1	SHEET 1 OF 1

X-ON Electronics

Largest Supplier of Electrical and Electronic Components

Click to view similar products for [Headers & Wire Housings](#) category:

Click to view products by [TE Connectivity](#) manufacturer:

Other Similar products are found below :

[892-18-020-10-001101](#) [58102-G61-06LF](#) [582553-1](#) [0009485154](#) [009176003701906](#) [0050291907](#) [LY20-4P-DT1-P1E-BR](#) [02.125.8002.8](#)
[609-3404](#) [61062-3](#) [61082-181009](#) [622-3653LF](#) [63453-116](#) [636-1030](#) [636-1427](#) [636-3427](#) [636-4007](#) [641938-9](#) [641991-4](#) [644827-2](#) [65817-](#)
[010LF](#) [65817-015LF](#) [65863-015LF](#) [66207-023LF](#) [67095-007LF](#) [67601157](#) [68645-018](#) [68648-049](#) [70.362.1628.0](#) [70-4210](#) [70-4226B](#) [70-](#)
[4853B](#) [707-5020](#) [707-5028](#) [71.350.2428.0](#) [71918-208LF](#) [71961-016LF](#) [733-134](#) [733-162](#) [754199-000](#) [760-3052](#) [787-8014-00](#) [79531-3000](#)
[FCN-360C032-B](#) [FCN-367T-T012/H](#) [FCN-723D010/2](#) [80.063.4001.1](#) [800-90-001-10-001000](#) [800-90-010-10-002000](#) [801-43-002-10-013000](#)