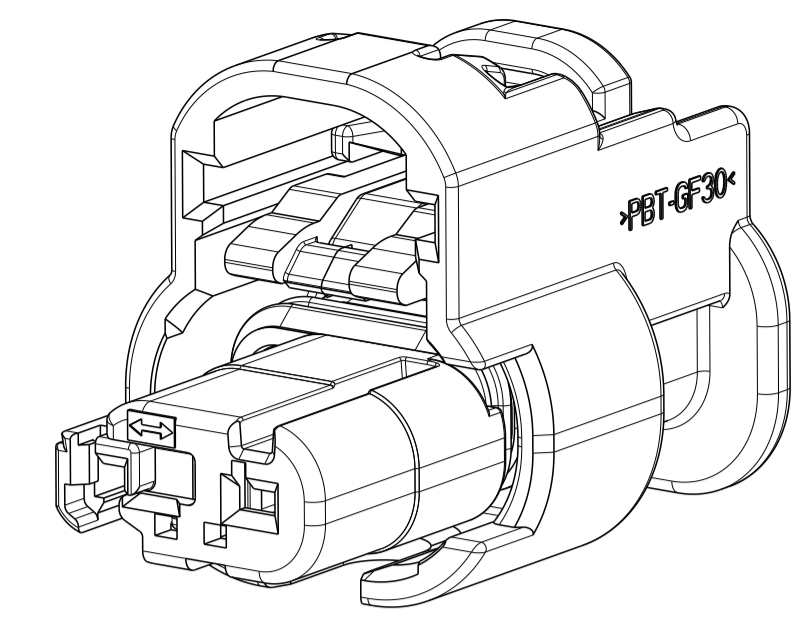
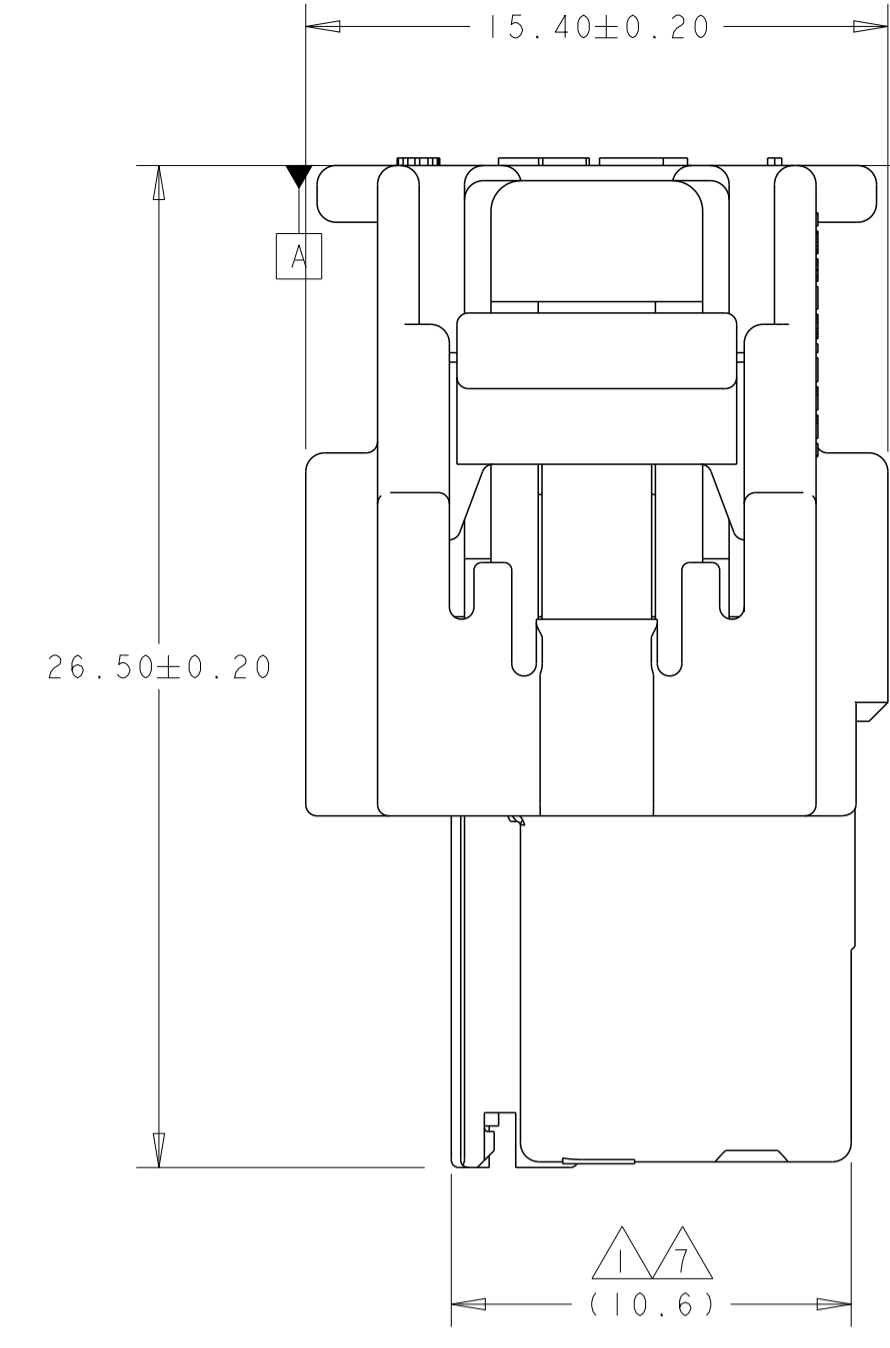
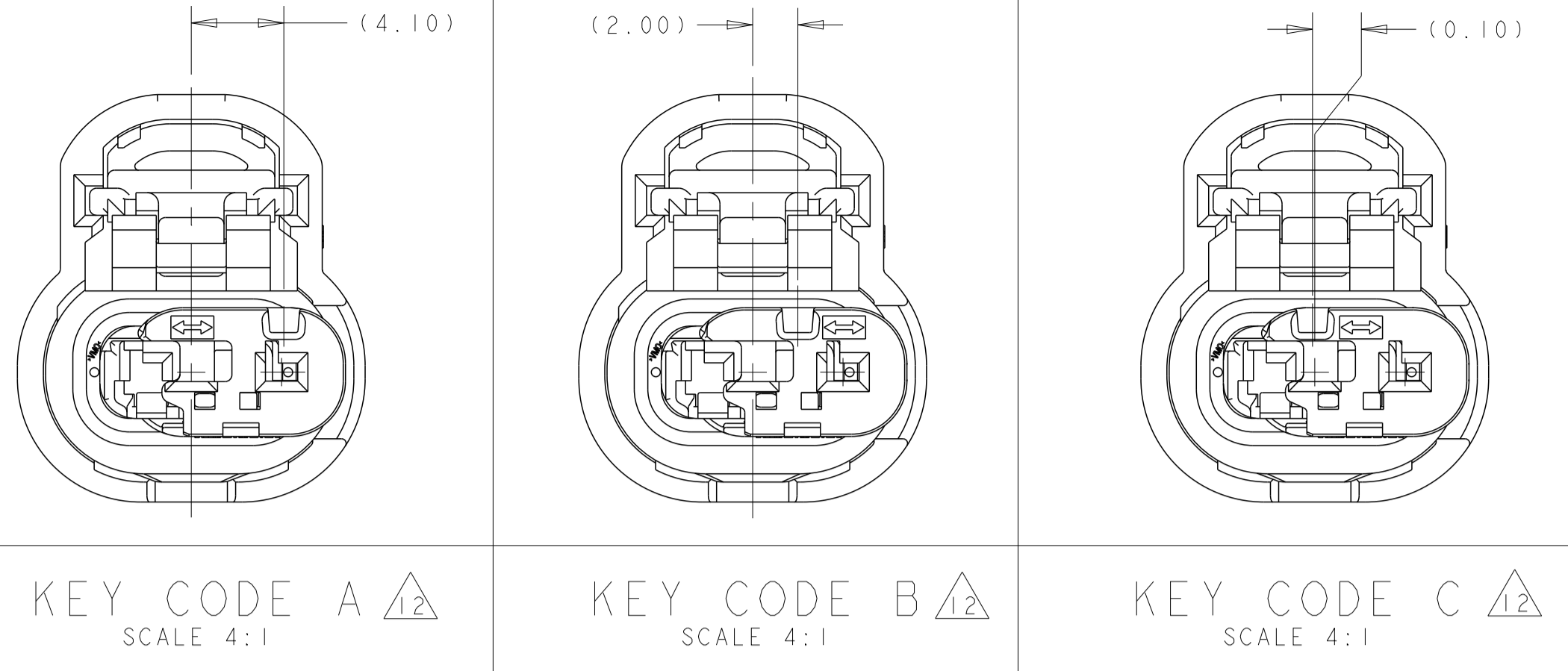
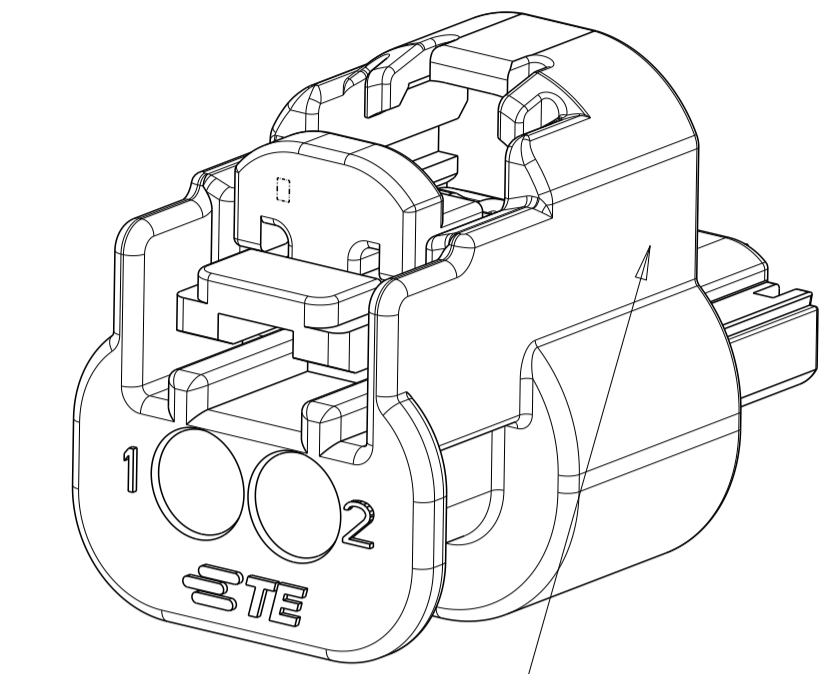


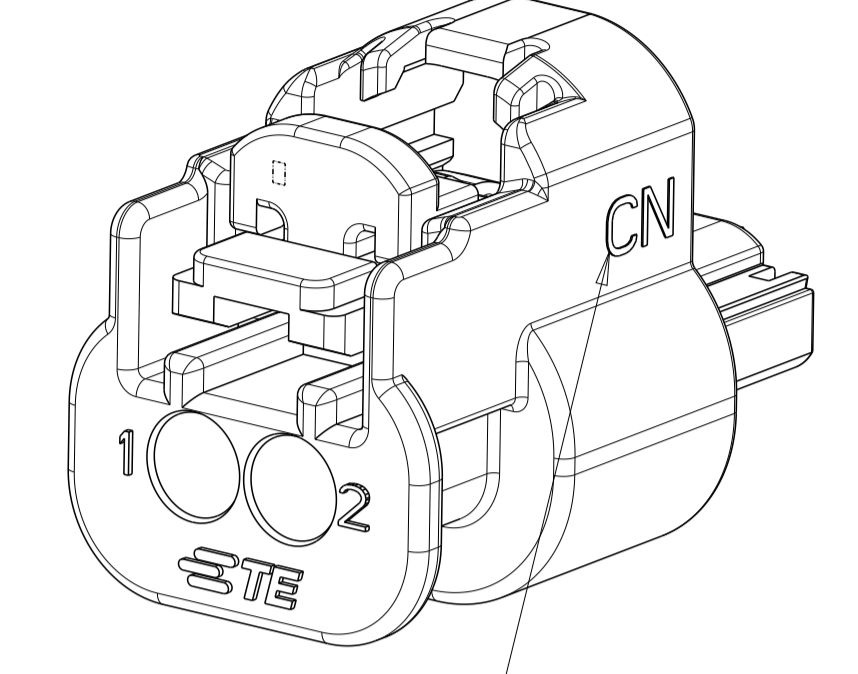
REVISIONS				
P	LTN	DESCRIPTION	DATE	APP'D
A1		UPDATE NOTES	19JAN2020	Z.J I.Y
A2		ADD PN 5-2355690-1	08MAY2020	Z.J I.Y
A3		ECR-20-011781	20AUG2020	Z.J I.Y
A4		ECN-23-193761	12JAN23	O.L J.Z



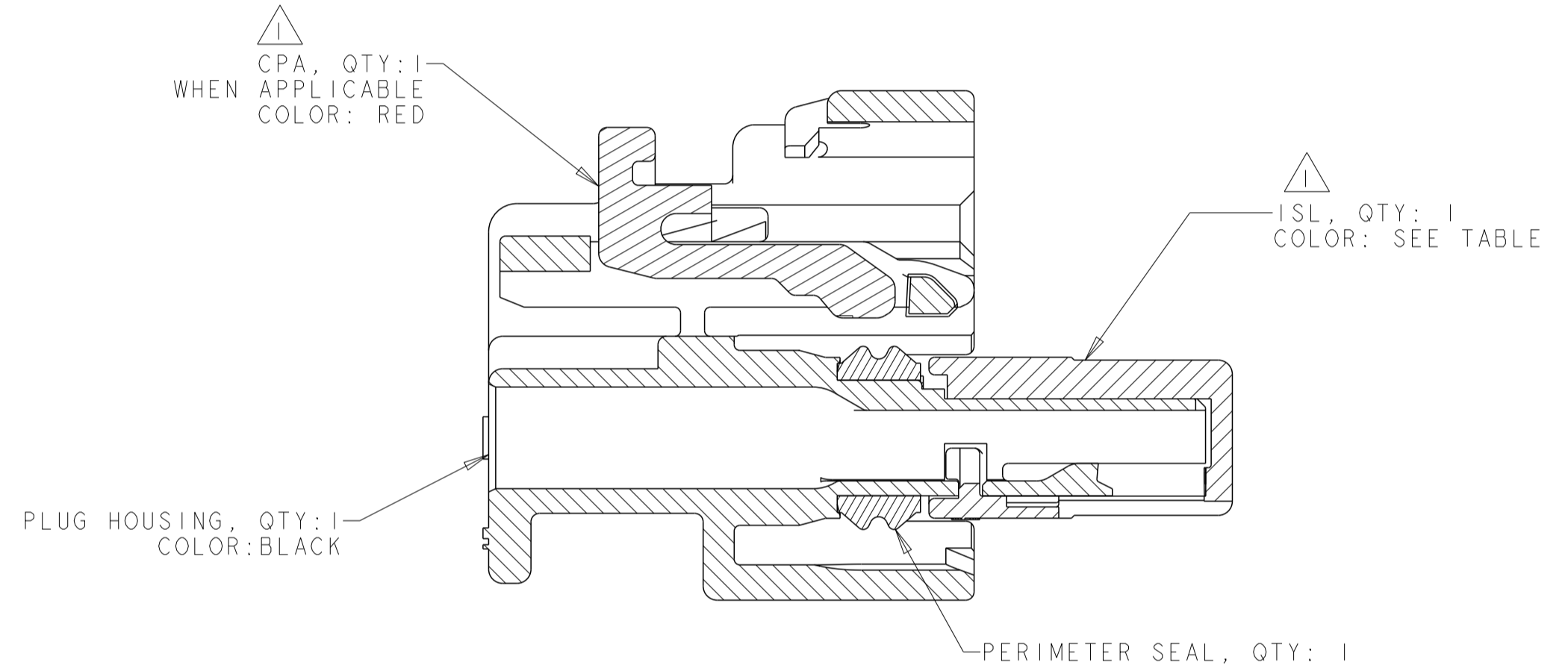
ISOMETRIC VIEW
SCALE 4:1



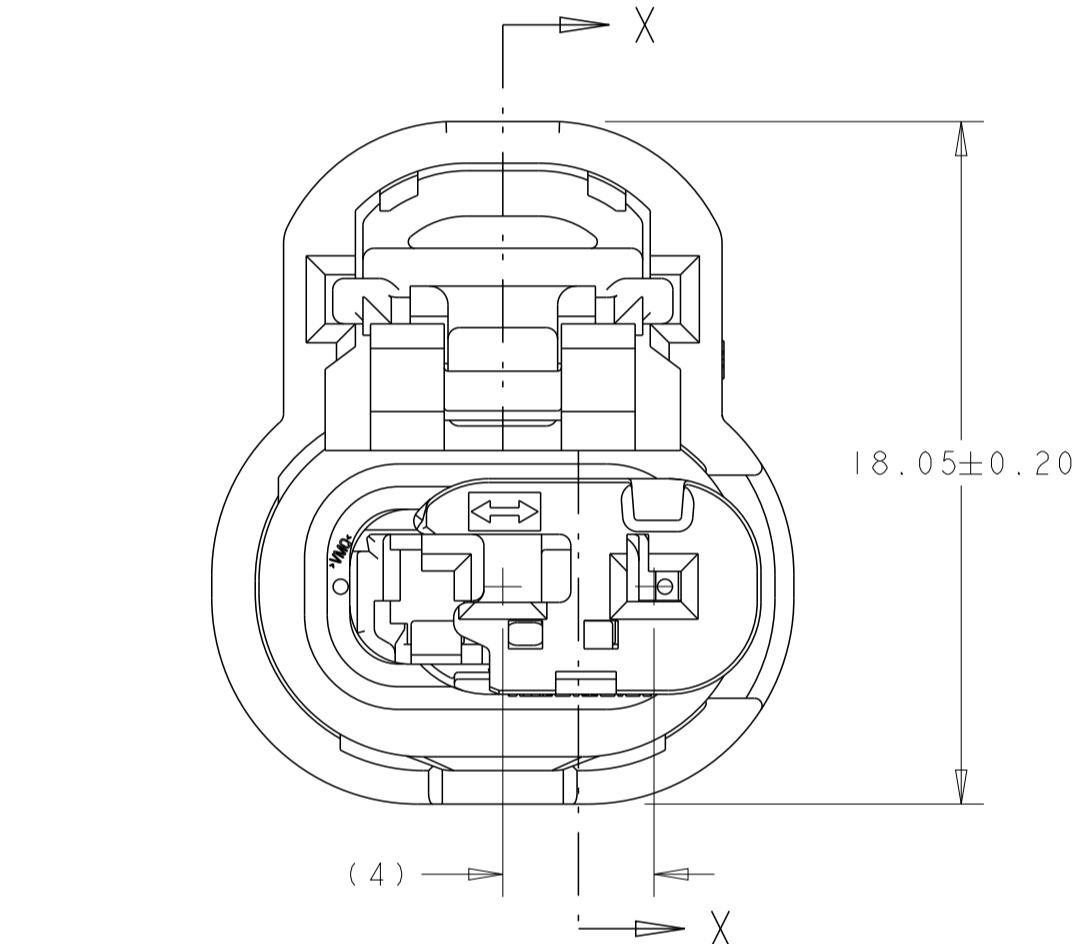
△5 NORMAL VERSION



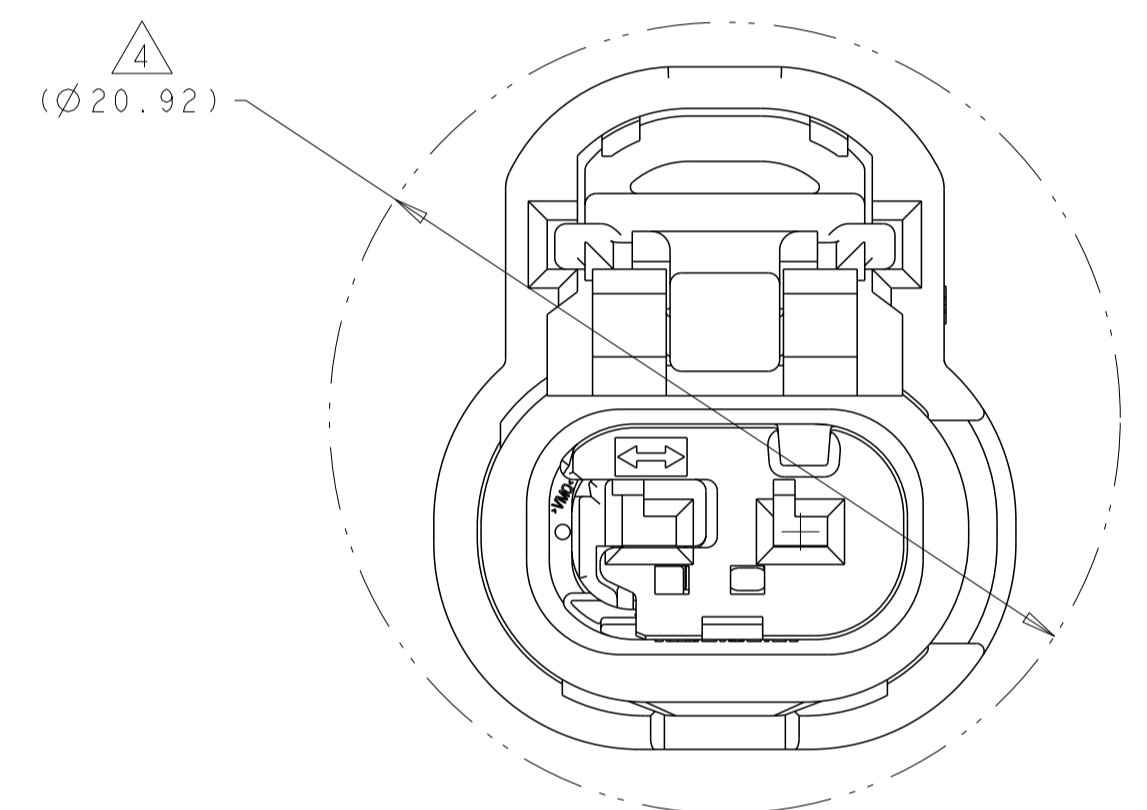
△5 CN VERSION



SECTION X-X
SHOWN WITH CPA AND ISL IN
PRE-LATCHED POSITION

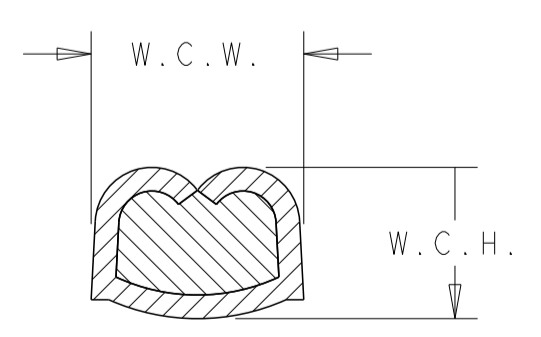


ISL SHOWN IN
PRE-LATCHED (AS-SHIPED) POSITION

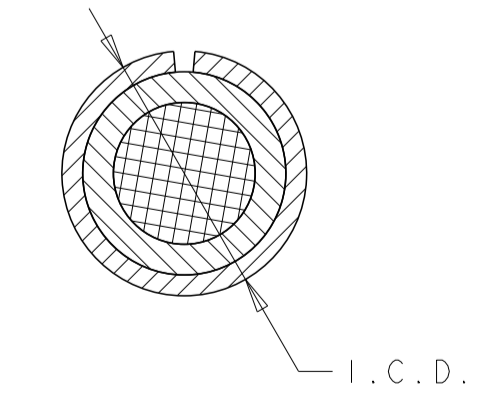


ISL SHOWN IN
FINAL (LOCKED) POSITION - REF ONLY
SCALE 5:1

- △1 ISL AND CPA (WHEN APPLICABLE) ARE SHIPPED IN THEIR PRE-LATCHED POSITIONS.
- 2. TERMINALS SOLD SEPARATELY. FOR USE WITH TE MCON 1.2mm CLEAN BODY CONTACT WITH WIRE SEAL. SEE TABLE.
- 3. APPLICABLE INTERFACE DRAWINGS: EWCAP 120-S-002-1-Z01 AND 120-S-002-1-Z02.
- △4 MINIMUM FEED THROUGH CONDITION WITH 1.0mm CLEARANCE ALL AROUND.
- 5. TRACEABILITY CODE (YY = TWO DIGIT YEAR, JJJ = 3 DIGIT JULIAN DAY, S = 1 DIGIT SHIFT).
- 6. FOR OPTIONAL TERMINAL CAVITY BLOCKING, CONTACT TE SALES REPRESENTATIVE OR CUSTOMER SERVICE.
- △7 SEE INSTRUCTION SHEET 408-32103 FOR CONNECTOR SERVICE AND ISL OPERATION. ISL ACTUATION DISTANCE IS 2.0mm.
- △8 CONTACT PLATING AND APPLICABLE INDIVIDUAL WIRE SEAL ARE APPLICATION DEPENDENT. CONTACT TE SALES REPRESENTATIVE OR CUSTOMER SERVICE FOR DETAILS.
- △9 FOR WIRE CRIMP DETAILS, SEE TE APPLICATION SPECIFICATION 114-18464.
- △10 DOCUMENTED I.C.D. IS SPECIFIED TO MEET MOST WIRE SEAL APPLICATIONS. HOWEVER, I.C.D. IS HIGHLY DEPENDENT ON INSULATION TYPE AND OD. SUFFICIENT GRIP OF THE WIRE SEAL MUST BE OBTAINED SUCH THAT WIRE SEAL DOES NOT DISPLACE FROM INSULATION GRIP DURING CONTACT INSERTION INTO CONNECTOR HOUSING. THE WIRE SEAL SHALL NOT BE CRIMPED TOO TIGHTLY THAT THE WIRE SEAL TEARS DURING THE CRIMPING OPERATION.
- 11. CONNECTOR VALIDATION PENDING PER GMW3191 T4,V4,S3
- △12 KEY CODE DIMENSIONS ARE SHOWN WITH ISL IN PRE-LATCHED POSITION. FOR DIMENSION OF KEY WITH ISL IN FINAL POSITION, ADJUST SHOWN DIMENSIONS BY 2.0mm.
- 13. MATES WITH STRAIGHT EXIT WIRE DRESS, TE PN 2272168-1 AND RIGHT ANGLE EXIT WIRE DRESS, TE PN 2272169-1
- 14. ORIGINAL PN IS 2203769. MEANS THAT 2355690 SHARE THE SAME PARTS, MADE FROM THE SAME MOLDS. THE SAME MACHINE WITH 2203769. SO THEY ARE WITH THE SAME TEST REPORT AND PERFORMANCE.
- △15 CN VERSION WITH A MARK "CN" ON HOUSING, BUT NORMAL VERSION WITHOUT THIS MARK.
- 16. *-2355690-* IS SUZHOU VERSION OF *-2203769-*/*-2296694-* BOTH HAVE THE SIMILAR PERFORMANCE.



WIRE CRIMP
DIMENSIONS



INSULATION CRIMP
DIMENSIONS

REMARK	CPA (YES / NO)	ISL COLOR	KEY CONFIGURATION	PART NUMBER
CN VERSION	YES	DK GRAY	KEY CODE C	5-2355690-3
		LT GRAY	KEY CODE B	5-2355690-2
NORMAL VERSION	NO	BLUE	KEY CODE A	5-2355690-1
		DK GRAY	KEY CODE C	1-2355690-3
		LT GRAY	KEY CODE B	1-2355690-2
		BLUE	KEY CODE A	1-2355690-1
		DK GRAY	KEY CODE C	2355690-3
		LT GRAY	KEY CODE B	2355690-2
		BLUE	KEY CODE A	2355690-1

150°C	1418844				
△8	1670146	△9	△9	△10	△8
	1418850				
MAX TEMP	FEMALE TERMINAL P/N	W.C.H	W.C.W	I.C.D	WIRE SEAL PART NUMBER

THIS DRAWING IS A CONTROLLED DOCUMENT.

OWN: J.ZE 25APR2019
CHK: J.ZONG 25APR2019
APP'D: J.YIN 25APR2019

DIMENSIONS: mm
TOLERANCES UNLESS OTHERWISE SPECIFIED:
0 PLC ±0.3
1 PLC ±0.3
2 PLC ±0.15
3 PLC ±0.15
4 PLC ±0.15
ANGLES ±0.5

MATERIAL: -
FINISH: -

NAME: PLUG ASSEMBLY, SEALED, 2 POSITION, MCON
SIZE: CAGE CODE DRAWING NO: A100779C=2355690
RESTRICTED TO: -
WEIGHT: -
CUSTOMER DRAWING: -

SCALE 4:1 SHEET 1 OF 1 REV A4

X-ON Electronics

Largest Supplier of Electrical and Electronic Components

Click to view similar products for [Automotive Connectors](#) category:

Click to view products by [TE Connectivity](#) manufacturer:

Other Similar products are found below :

[003-018-000](#) [60993906-B](#) [72.330.1035.1](#) [776880-1](#) [827153-1](#) [9-1326729-8](#) [9-221607-5](#) [925474-1](#) [928905-1](#) [964562-4](#) [968782-1](#) [12004468](#)
[12004475-L](#) [12004483](#) [12052466](#) [12066163](#) [12015909](#) [12077753](#) [1-21030-1](#) [12047957](#) [12047958](#) [12084688](#) [12185550](#) [12336-12](#) [1-](#)
[326211-1](#) [13681974](#) [13688972](#) [13755420](#) [13779834](#) [13783086](#) [13843152](#) [13522378](#) [13581967](#) [13669624](#) [13675513](#) [13753471](#) [13946876](#)
[13953457](#) [13955963](#) [13964573](#) [13971791](#) [13790534-L](#) [13797473](#) [13805590](#) [13888202](#) [1428188-1](#) [1437287-3](#) [1428188-2](#) [DS07-19S-5020](#)
[1456983-5](#)