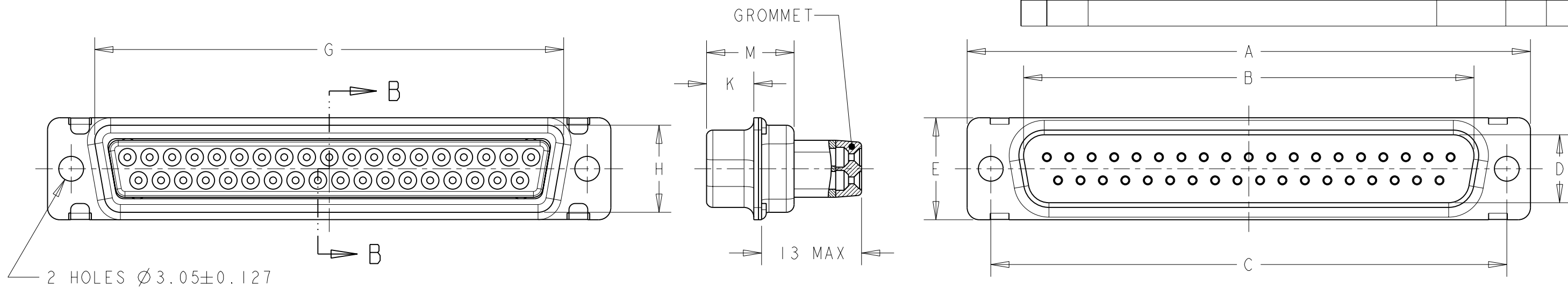


LOC	DIST	REVISIONS				
P	LTR	DESCRIPTION	DATE	DWN	APVD	
F	00	E	13 WAS 11.9 MAX. UPDATE NOTE 5 AND FORMAT	24OCT2011	JT	YP

# PLUG TYPE MDP

## SECTION B-B



M±0.25	K±0.13	G±0.25	H±0.25	E±0.38	D±0.13	C±0.13	B±0.13	A±0.38	DESCRIPTION	Nb POS.	SIZE	OLD P/N	P/N
10.82	5.84	55.32	13.56	15.37	11.20	61.11	52.81	66.93	PLUG	50	5	MDP308G - 50P2 - 001	1-1236089-0
10.82	5.84	57.71	10.72	12.55	8.36	63.50	55.42	69.32	PLUG	37	4	MDP308G - 37P2 - 001	1236089-9
10.82	5.84	41.30	10.72	12.55	8.36	47.04	38.96	53.04	PLUG	25	3	MDP308G - 25P2 - 001	1236089-8
10.72	5.97	27.51	10.72	12.55	8.36	33.32	25.25	39.14	PLUG	15	2	MDP308G - 15P2 - 001	1236089-7
10.72	5.97	19.28	10.72	12.55	8.36	24.99	16.92	30.81	PLUG	9	1	MDP308G - 9P2 - 001	1236089-6
10.82	5.84	55.32	13.56	15.37	11.20	61.11	52.81	66.93	PLUG WITH #20 PIN CONTACTS	50	5	MDP308G - 50P2	1236089-5
10.82	5.84	57.71	10.72	12.55	8.36	63.50	55.42	69.32	PLUG WITH #20 PIN CONTACTS	37	4	MDP308G - 37P2	1236089-4
10.82	5.84	41.30	10.72	12.55	8.36	47.04	38.96	53.04	PLUG WITH #20 PIN CONTACTS	25	3	MDP308G - 25P2	1236089-3
10.72	5.97	27.51	10.72	12.55	8.36	33.32	25.25	39.14	PLUG WITH #20 PIN CONTACTS	15	2	MDP308G - 15P2	1236089-2
10.72	5.97	19.28	10.72	12.55	8.36	24.99	16.92	30.81	PLUG WITH #20 PIN CONTACTS	9	1	MDP308G - 9P2	1236089-1
												STANDARD MOUNT	

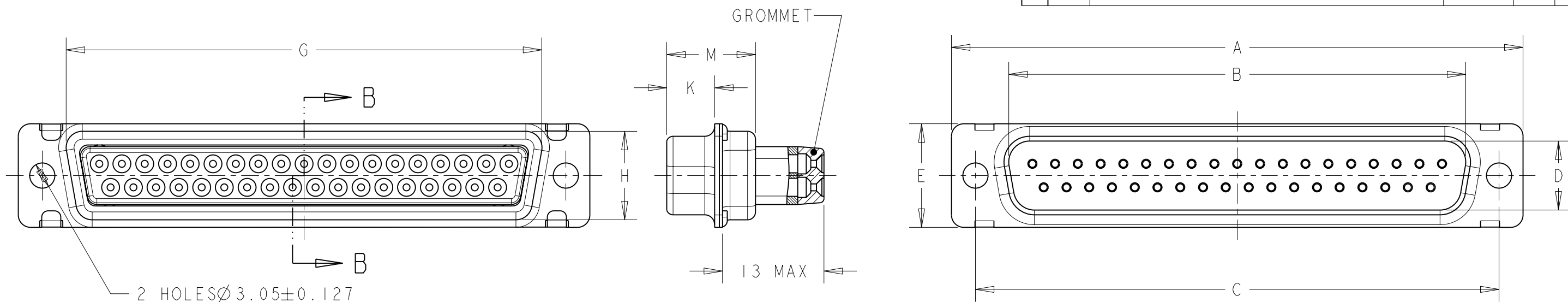
SEE NOTES ON LAST SHEET

THIS DRAWING IS A CONTROLLED DOCUMENT.		DWN J. THUEZ 29MAY2009	 TE Connectivity		
DIMENSIONS: mm		CHK Y. PETRONIN 03JUN2009			
TOLERANCES UNLESS OTHERWISE SPECIFIED:		APVD Y. PETRONIN 03JUN2009	NAME SUB D PLUG WITH WIRE BUSHING MDP TYPE		
<ul style="list-style-type: none"> <li>0 PLC ±0.5</li> <li>1 PLC ±0.1</li> <li>2 PLC ±0.02</li> <li>3 PLC ±0.005</li> <li>4 PLC ±</li> <li>ANGLES ±30'</li> </ul>		PRODUCT SPEC -	RESTRICTED TO		
MATERIAL NOTE 3		APPLICATION SPEC NOTE 7	SIZE A3	CAGE CODE 00779	DRAWING NO C-1236089
FINISH NOTE 4		WEIGHT -	SCALE 2:1 SHEET 1 OF 6 REV E		
CUSTOMER DRAWING					

LOC	DIST	REVISIONS			
P	LTR	DESCRIPTION	DATE	DWN	APVD
F	00	-	SEE SHEET 1	-	-

# PLUG TYPE MDP

## SECTION B-B



10.82	5.84	58.47	15.14	16.97	12.78	63.50	56.18	69.32	PLUG	104	6	MDP308G - 66104P2 - 001	4-1236089-1
10.82	5.84	55.32	13.56	15.37	11.20	61.11	52.81	66.93	PLUG	78	5	MDP308G - 5078P2 - 001	4-1236089-0
10.82	5.84	57.71	10.72	12.55	8.36	63.50	55.42	69.32	PLUG	62	4	MDP308G - 3762P2 - 001	3-1236089-9
10.82	5.84	41.30	10.72	12.55	8.36	47.04	38.96	53.04	PLUG	44	3	MDP308G - 2544P2 - 001	3-1236089-8
10.72	5.97	27.51	10.72	12.55	8.36	33.32	25.25	39.14	PLUG	26	2	MDP308G - 1526P2 - 001	3-1236089-7
10.72	5.97	19.28	10.72	12.55	8.36	24.99	16.92	30.81	PLUG	15	1	MDP308G - 915P2 - 001	3-1236089-6
10.82	5.84	58.47	15.14	16.97	12.78	63.50	56.18	69.32	PLUG WITH #22 PIN CONTACTS	104	6	MDP308G - 66104P2	3-1236089-5
10.82	5.84	55.32	13.56	15.37	11.20	61.11	52.81	66.93	PLUG WITH #22 PIN CONTACTS	78	5	MDP308G - 5078P2	3-1236089-4
10.82	5.84	57.71	10.72	12.55	8.36	63.50	55.42	69.32	PLUG WITH #22 PIN CONTACTS	62	4	MDP308G - 3762P2	3-1236089-3
10.82	5.84	41.30	10.72	12.55	8.36	47.04	38.96	53.04	PLUG WITH #22 PIN CONTACTS	44	3	MDP308G - 2544P2	3-1236089-2
10.72	5.97	27.51	10.72	12.55	8.36	33.32	25.25	39.14	PLUG WITH #22 PIN CONTACTS	26	2	MDP308G - 1526P2	3-1236089-1
10.72	5.97	19.28	10.72	12.55	8.36	24.99	16.92	30.81	PLUG WITH #22 PIN CONTACTS	15	1	MDP308G - 915P2	3-1236089-0
M±0.25	K±0.13	G±0.25	H±0.25	E±0.38	D±0.13	C±0.13	B±0.13	A±0.38	DESCRIPTION	NB POS	SIZE	OLD P/N	P/N 2
STANDARD MOUNT HIGH DENSITE													

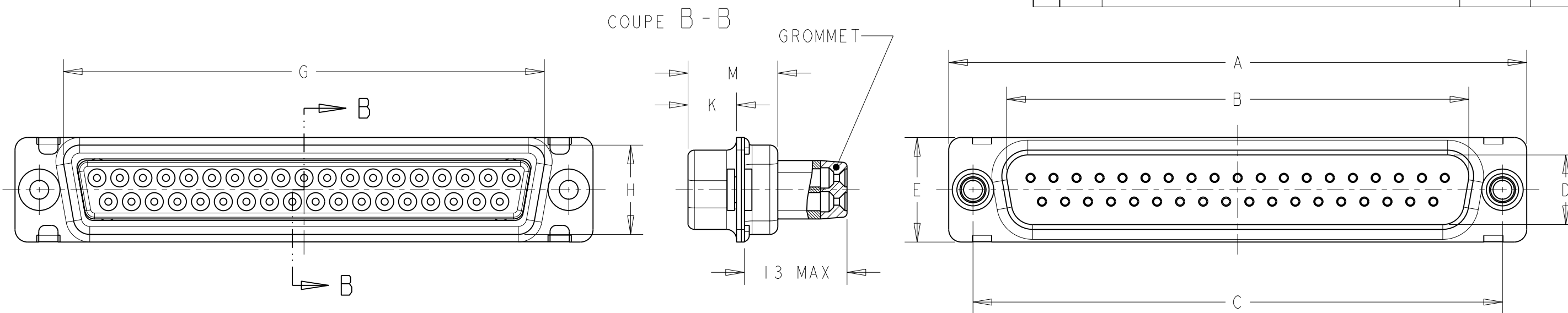
SEE NOTES ON LAST SHEET

THIS DRAWING IS A CONTROLLED DOCUMENT.		DWN J. THUEZ 29MAY2009	<b>STE</b> TE Connectivity	
DIMENSIONS: mm		CHK Y. PETRONIN 03JUN2009		
TOLERANCES UNLESS OTHERWISE SPECIFIED:		APVD Y. PETRONIN 03JUN2009	NAME SUB D PLUG WITH WIRE BUSHING MDP TYPE	
0 PLC ±0.5 1 PLC ±0.1 2 PLC ±0.02 3 PLC ±0.005 4 PLC ANGLES ±° ±0.30'		PRODUCT SPEC -	APPLICATION SPEC NOTE 7	
MATERIAL NOTE 3		FINISH NOTE 4	WEIGHT -	RESTRICTED TO -
CUSTOMER DRAWING			SIZE A3	CAGE CODE 00779
SCALE 2:1			DRAWING NO C-1236089	REV E

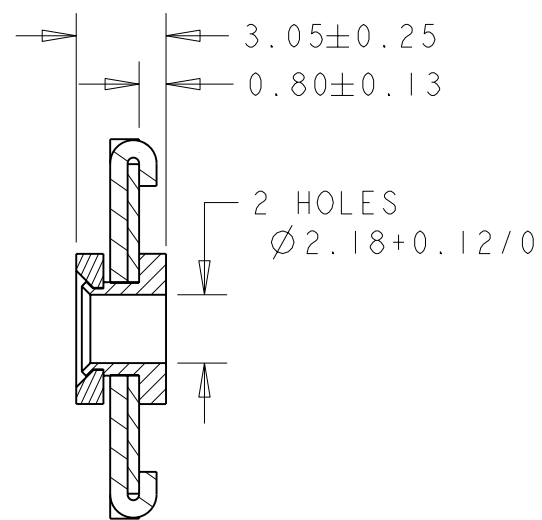
LOC	DIST
F	00

REVISIONS					
P	LTR	DESCRIPTION	DATE	DWN	APVD
-	-	SEE SHEET 1	-	-	-

# PLUG TYPE MDP



## COUPE A-A ECHELLE 4:1



10.82	5.84	55.32	13.56	15.37	11.20	61.11	52.81	66.93	PLUG	50	5	MDP308GF - 50P2 - 001	2-1236089-0
10.82	5.84	57.71	10.72	12.55	8.36	63.50	55.42	69.32	PLUG	37	4	MDP308GF - 37P2 - 001	1-1236089-9
10.82	5.84	41.30	10.72	12.55	8.36	47.04	38.96	53.04	PLUG	25	3	MDP308GF - 25P2 - 001	1-1236089-8
10.72	5.97	27.51	10.72	12.55	8.36	33.32	25.25	39.14	PLUG	15	2	MDP308GF - 15P2 - 001	1-1236089-7
10.72	5.97	19.28	10.72	12.55	8.36	24.99	16.92	30.81	PLUG	9	1	MDP308GF - 9P2 - 001	1-1236089-6
10.82	5.84	55.32	13.56	15.37	11.20	61.11	52.81	66.93	PLUG WITH #20 PIN CONTACTS	50	5	MDP308GF - 50P2	1-1236089-5
10.82	5.84	57.71	10.72	12.55	8.36	63.50	55.42	69.32	PLUG WITH #20 PIN CONTACTS	37	4	MDP308GF - 37P2	1-1236089-4
10.82	5.84	41.30	10.72	12.55	8.36	47.04	38.96	53.04	PLUG WITH #20 PIN CONTACTS	25	3	MDP308GF - 25P2	1-1236089-3
10.72	5.97	27.51	10.72	12.55	8.36	33.32	25.25	39.14	PLUG WITH #20 PIN CONTACTS	15	2	MDP308GF - 15P2	1-1236089-2
10.72	5.97	19.28	10.72	12.55	8.36	24.99	16.92	30.81	PLUG WITH #20 PIN CONTACTS	9	1	MDP308GF - 9P2	1-1236089-1
M±0.25	K±0.13	G±0.25	H±0.25	E±0.38	D±0.13	C±0.13	B±0.13	A±0.38	DESCRIPTION	Nb POS	SIZE	OLD P/N	P/N
													△ 2
													FLOATING BUSHING

THIS DRAWING IS A CONTROLLED DOCUMENT.

DWN 29MAY2009

J. THUEZ

CHK 03JUN2009

Y. PETRONIN

APVD 03JUN2009

Y. PETRONIN

PRODUCT SPEC

APPLICATION SPEC

NOTE 7

WEIGHT -

CUSTOMER DRAWING



TE Connectivity

NAME  
SUB D PLUG  
WITH WIRE BUSHING  
MDP TYPE

SIZE	CAGE CODE	DRAWING NO	RESTRICTED TO
A3	00779	C-1236089	-

SCALE	SHEET	OF	REV
2:1	3	6	E

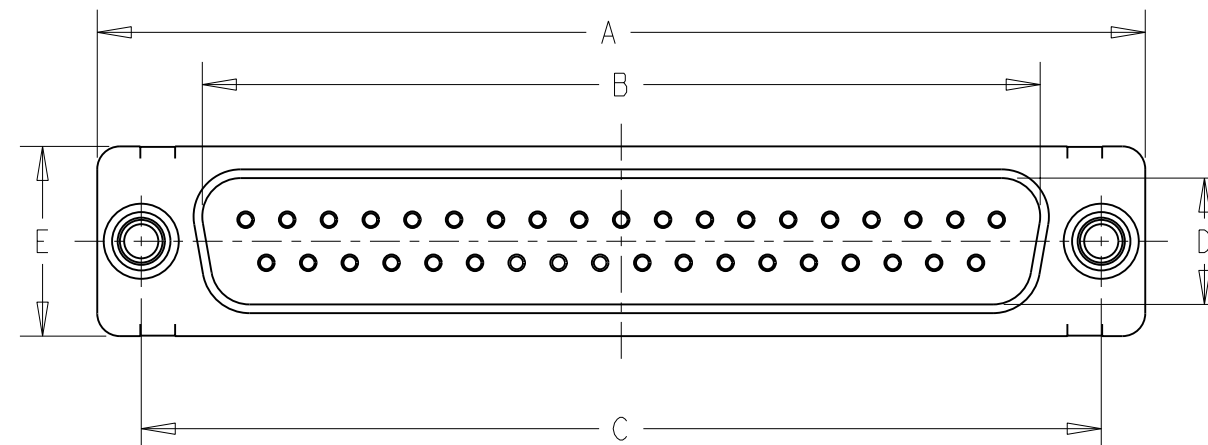
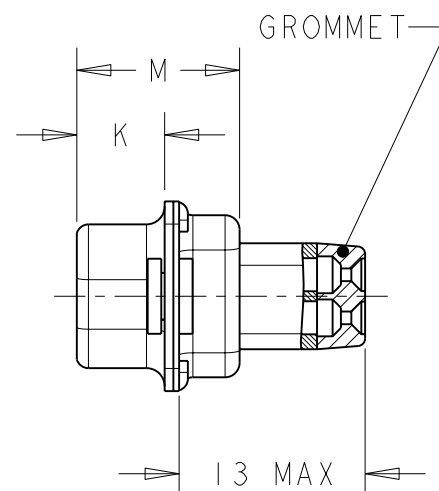
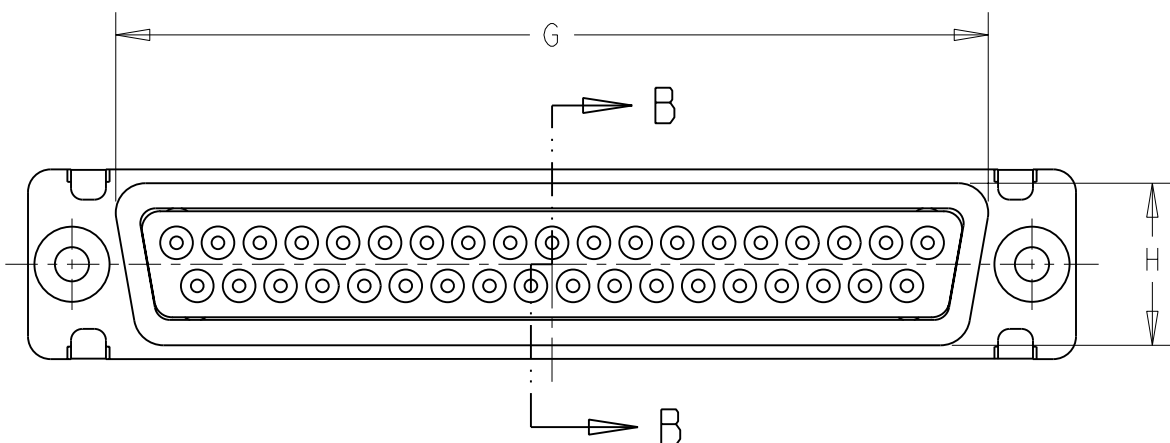
SEE NOTES ON LAST SHEET

DIMENSIONS: mm		TOLERANCES UNLESS OTHERWISE SPECIFIED:	
	0 PLC ±0.5	1 PLC ±0.1	2 PLC ±0.02
	3 PLC ±0.005	4 PLC ±	ANGLES ±0.30°
MATERIAL NOTE 3	FINISH NOTE 4		

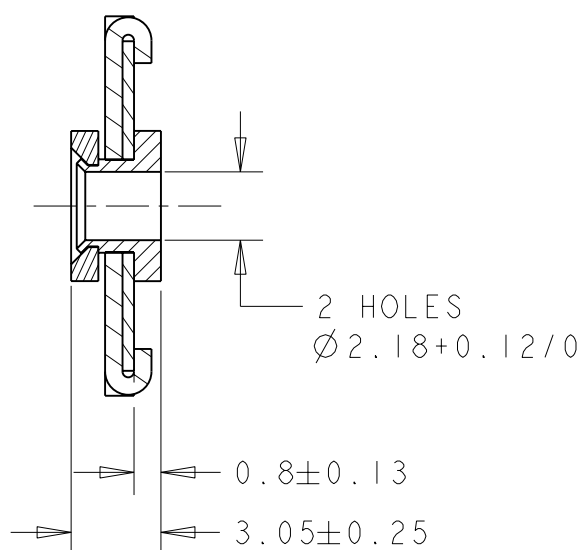
LOC	DIST	REVISIONS			
P	LTR	DESCRIPTION	DATE	DWN	APVD
F	00	-	SEE SHEET 1	-	-

### PLUG TYPE MDP

### SECTION B-B



COUPE A-A  
ECHELLE 4:1



10.82	5.84	58.47	15.14	16.97	12.78	63.50	56.18	69.32	PLUG	104	6	MDP308GF - 66104P2 - 001	6-1236089-1
10.82	5.84	55.32	13.56	15.37	11.20	61.11	52.81	66.93	PLUG	78	5	MDP308GF - 5078P2 - 001	6-1236089-0
10.82	5.84	57.71	10.72	12.55	8.36	63.50	55.42	69.32	PLUG	62	4	MDP308GF - 3762P2 - 001	5-1236089-9
10.82	5.84	41.30	10.72	12.55	8.36	47.04	38.96	53.04	PLUG	44	3	MDP308GF - 2544P2 - 001	5-1236089-8
10.72	5.97	27.51	10.72	12.55	8.36	33.32	25.25	39.14	PLUG	26	2	MDP308GF - 1526P2 - 001	5-1236089-7
10.72	5.97	19.28	10.72	12.55	8.36	24.99	16.92	30.81	PLUG	15	1	MDP308GF - 915P2 - 001	5-1236089-6
10.82	5.84	58.47	15.14	16.97	12.78	63.50	56.18	69.32	PLUG WITH #22 PIN CONTACTS	104	6	MDP308GF - 66104P2	5-1236089-5
10.82	5.84	55.32	13.56	15.37	11.20	61.11	52.81	66.93	PLUG WITH #22 PIN CONTACTS	78	5	MDP308GF - 5078P2	5-1236089-4
10.82	5.84	57.71	10.72	12.55	8.36	63.50	55.42	69.32	PLUG WITH #22 PIN CONTACTS	62	4	MDP308GF - 3762P2	5-1236089-3
10.82	5.84	41.30	10.72	12.55	8.36	47.04	38.96	53.04	PLUG WITH #22 PIN CONTACTS	44	3	MDP308GF - 2544P2	5-1236089-2
10.72	5.97	27.51	10.72	12.55	8.36	33.32	25.25	39.14	PLUG WITH #22 PIN CONTACTS	26	2	MDP308GF - 1526P2	5-1236089-1
10.72	5.97	19.28	10.72	12.55	8.36	24.99	16.92	30.81	PLUG WITH #22 PIN CONTACTS	15	1	MDP308GF - 915P2	5-1236089-0

M±0.25	K±0.13	G±0.25	H±0.25	E±0.38	D±0.13	C±0.13	B±0.13	A±0.38	DESCRIPTION	NB POS	SIZE	OLD P/N	P/N 2
												FLOATING BUSHING HIGH DENSITE	

THIS DRAWING IS A CONTROLLED DOCUMENT.

DWN J. THUEZ 29MAY2009

CHK Y. PETRONIN 03JUN2009

APVD Y. PETRONIN 03JUN2009

PRODUCT SPEC

APPLICATION SPEC

NOTE 7

WEIGHT -

CUSTOMER DRAWING



NAME  
SUB D PLUG  
WITH WIRE BUSHING  
MDP TYPE

SIZE CAGE CODE DRAWING NO RESTRICTED TO

A300779 C-1236089

SCALE 2:1 SHEET 4 OF 6 REV E

SEE NOTES ON LAST SHEET

THIS DRAWING IS UNPUBLISHED.

RELEASED FOR PUBLICATION

20

© COPYRIGHT 20

Tyco Electronics AMP GmbH

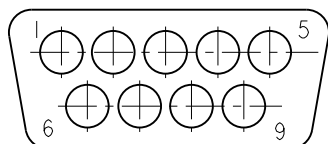
ALL RIGHTS RESERVED.

LOC F DIST 00

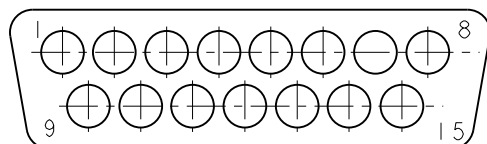
REVISIONS

P	LTR	DESCRIPTION	DATE	DWN	APVD
	-	SEE SHEET 1	-	-	-

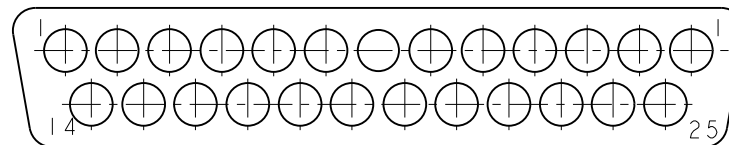
### MATING FACE OF PLUG SHOWN CONFIGURATIONS FOR #20 CONTACTS



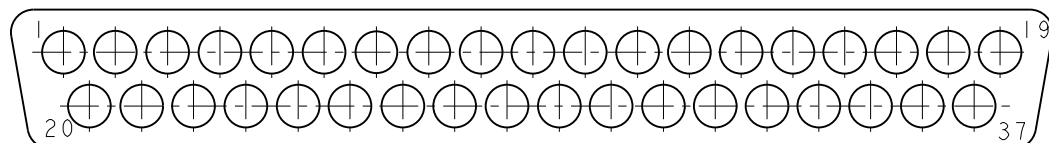
9 POSITION MS18273-1  
SHELL SIZE 1



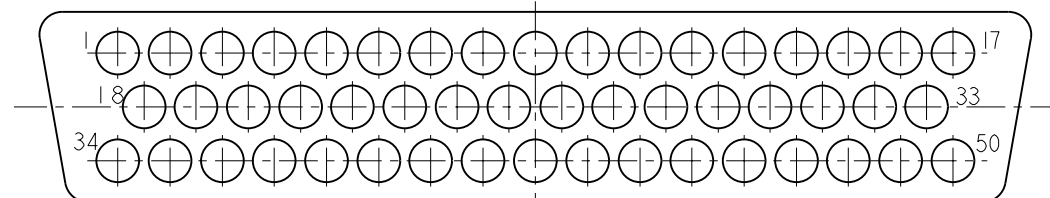
15 POSITION MS18274-1  
SHELL SIZE 2



25 POSITION MS18275-1  
SHELL SIZE 3

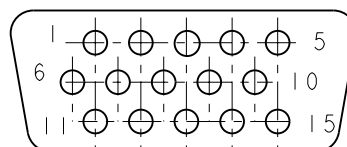


37 POSITION MS18276-1  
SHELL SIZE 4

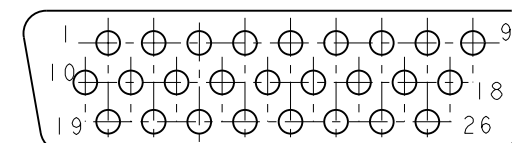


50 POSITION MS18277-1  
SHELL SIZE 5

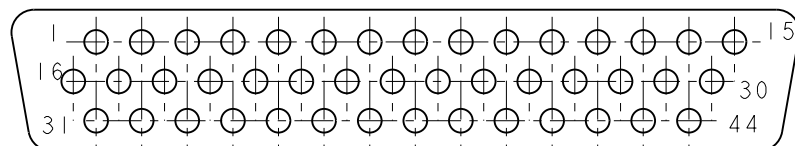
### CONFIGURATIONS FOR #22 CONTACTS MATING FACE OF PLUG SHOWN



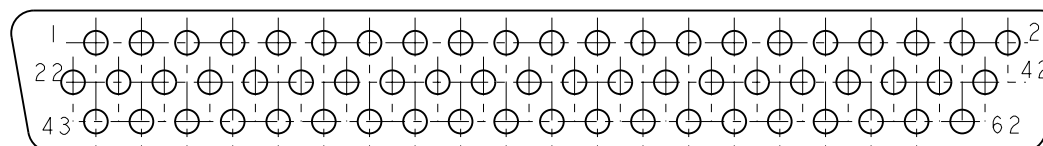
15 POSITION MS18273-2  
SHELL SIZE 1



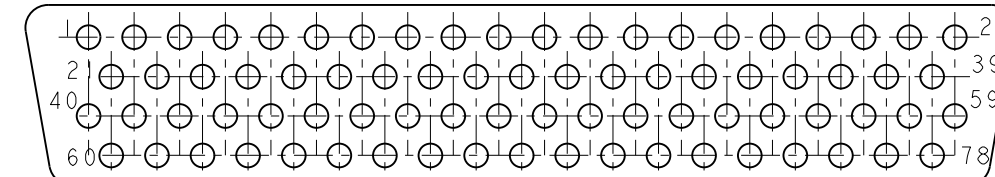
26 POSITION MS18274-2  
SHELL SIZE 2



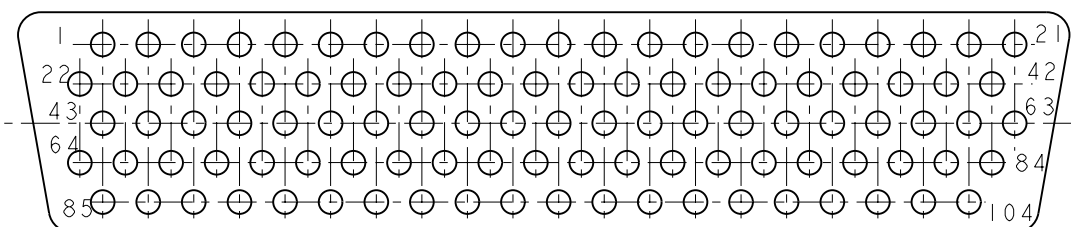
44 POSITION MS18275-2  
SHELL SIZE 3



62 POSITION MS18276-2  
SHELL SIZE 4


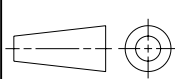


78 POSITION MS18277-2  
SHELL SIZE 5



104 POSITION MS14004-1  
SHELL SIZE 6

SEE NOTES ON LAST SHEET

THIS DRAWING IS A CONTROLLED DOCUMENT.		DWN J. THUEZ 29MAY2009	 TE Connectivity	
DIMENSIONS: mm		CHK Y. PETRONIN 03JUN2009		
TOLERANCES UNLESS OTHERWISE SPECIFIED:		APVD Y. PETRONIN 03JUN2009	NAME SUB D PLUG WITH WIRE BUSHING MDP TYPE	
		PRODUCT SPEC	SIZE A3	
0 PLC ±0.5 1 PLC ±0.1 2 PLC ±0.02 3 PLC ±0.005 4 PLC ANGLES ±°030'		APPLICATION SPEC NOTE 7	CAGE CODE 300779	DRAWING NO C-1236089
MATERIAL NOTE 3		FINISH NOTE 4	RESTRICTED TO -	
		WEIGHT -	SCALE 2:1 SHEET 5 OF 6 REV E	
		CUSTOMER DRAWING		

THIS DRAWING IS UNPUBLISHED. RELEASED FOR PUBLICATION 20  
 © COPYRIGHT 20 Tyco Electronics AMP GmbH ALL RIGHTS RESERVED.

LOC	DIST	REVISIONS			
P	LTR	DESCRIPTION	DATE	DWN	APVD
F	00	-	SEE SHEET 1	-	-

1 THIS CONNECTOR MEETS THE REQUIREMENTS OF MIL-DTL-24308

2 PART NUMBER FOR ORDERING

3- MATERIALS :  
 SHELL : STEEL, CD PLATED  
 HOUSING : PBT, GLASS FILLED, UL94V0  
 RETAINING CLIP : STAINLESS STEEL  
 GROMMET : FLUOROSILICONE ELASTOMER  
 CONTACT: COPPER ALLOY, GOLD PLATED OVER NICKEL

4- CABLES EXTERNAL DIAMETER FOR CONTACTS #20 :  $\varnothing 0.85$  to  $\varnothing 1.83$   
 CABLES EXTERNAL DIAMETER FOR CONTACTS #22 :  $\varnothing 1.37$  MAX

5- CONNECTOR MARKING:  
 . MANUFACTURER IDENTIFICATION  
 . PART NUMBER  
 . DATE-CODE

6- INSERT ARRANGEMENT PER MIL-DTL-24308


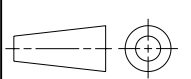
7- FOR CONTACT CRIMPING INSTRUCTION SHEET REFER TO SPEC IS 7516  
 FOR CONTACT INSTALATION/ REMOVAL INSTRUCTION SHEET REFER TO SPEC IS 7508

8- #20 SOCKET CRIMP CONTACT P/N: 205090-1  
 #20 PIN CRIMP CONTACT P/N: 205089-1

#22D SOCKET CRIMP CONTACT P/N: 204351-1  
 #22D PIN CRIMP CONTACT P/N: 204370-2

9- INSERTION/EXTRACTION TOOL P/N: 91067-2  
 INSERTION/EXTRACTION TOOL P/N: 91067-1

10- CRIMP WITH HAND TOOL: 601966-1 + DIE INSERT : 601966-4  
 CRIMP WITH HAND TOOL: M22520/02-01 + POSITIONNER : M22520/02-06

THIS DRAWING IS A CONTROLLED DOCUMENT.		DWN J. THUEZ 29MAY2009	 TE Connectivity	
DIMENSIONS: mm		CHK Y. PETRONIN 03JUN2009		
		APVD Y. PETRONIN 03JUN2009	NAME SUB D PLUG WITH WIRE BUSHING MDP TYPE	
TOLERANCES UNLESS OTHERWISE SPECIFIED: 0 PLC ±0.5 1 PLC ±0.1 2 PLC ±0.02 3 PLC ±0.005 4 PLC ± ANGLES ±0.30°		PRODUCT SPEC -	RESTRICTED TO -	
MATERIAL NOTE 3		APPLICATION SPEC NOTE 7	SIZE A3	CAGE CODE 00779
FINISH NOTE 4		WEIGHT -	DRAWING NO C-1236089	REV E
CUSTOMER DRAWING			SCALE 2:1	SHEET 6 OF 6

## X-ON Electronics

Largest Supplier of Electrical and Electronic Components

*Click to view similar products for [D-Sub Standard Connectors](#) category:*

*Click to view products by [TE Connectivity](#) manufacturer:*

Other Similar products are found below :

[DCM37S732N](#) [DAM15P500](#) [DEV09S364GTLF](#) [DEM09P032N](#) [DDM50P732N](#) [DAM15S332N](#) [173109-2218](#) [173109-2466](#) [173109-2436](#)  
[173109-2435](#) [56F706-005-LI](#) [56F711-015](#) [015-0341-000](#) [015-0372-008](#) [015-8544-011](#) [017041-0005](#) [020419-0104](#) [012-0515-000](#) [012-9507-](#)  
[034](#) [012-9507-114](#) [012-9534-001](#) [020745-0008](#) [609-25P](#) [M24308/2-23Z](#) [M243082310F](#) [M243082410F](#) [M243082411F](#) [M24308/4-21](#)  
[CT1A18-11PSA206](#) [CT1N36-5SC](#) [CT2-16S-17PS](#) [CT2-20-15PCAU](#) [CT2-24-12PS](#) [CT2-24-28PSF127A206](#) [CT2-32-9PC](#) [CT6F9767-14-4-](#)  
[14S-5PC](#) [CT6FA10SL-4PS](#) [CT7-18-10SC](#) [CT7-18-10SCAU](#) [CT7-18-12SCAU](#) [CT7-18-1PC](#) [CT7-18-1PCAU](#) [CT7-18-21SCAU](#) [M83513/01-](#)  
[FC](#) [M83723/76W24619 L/C](#) [M85049/48-3-2F](#) [69001-865](#) [6STD09PCM99B70X](#) [6STD09SCM99B30X](#) [6STD09SCT99S40X](#)