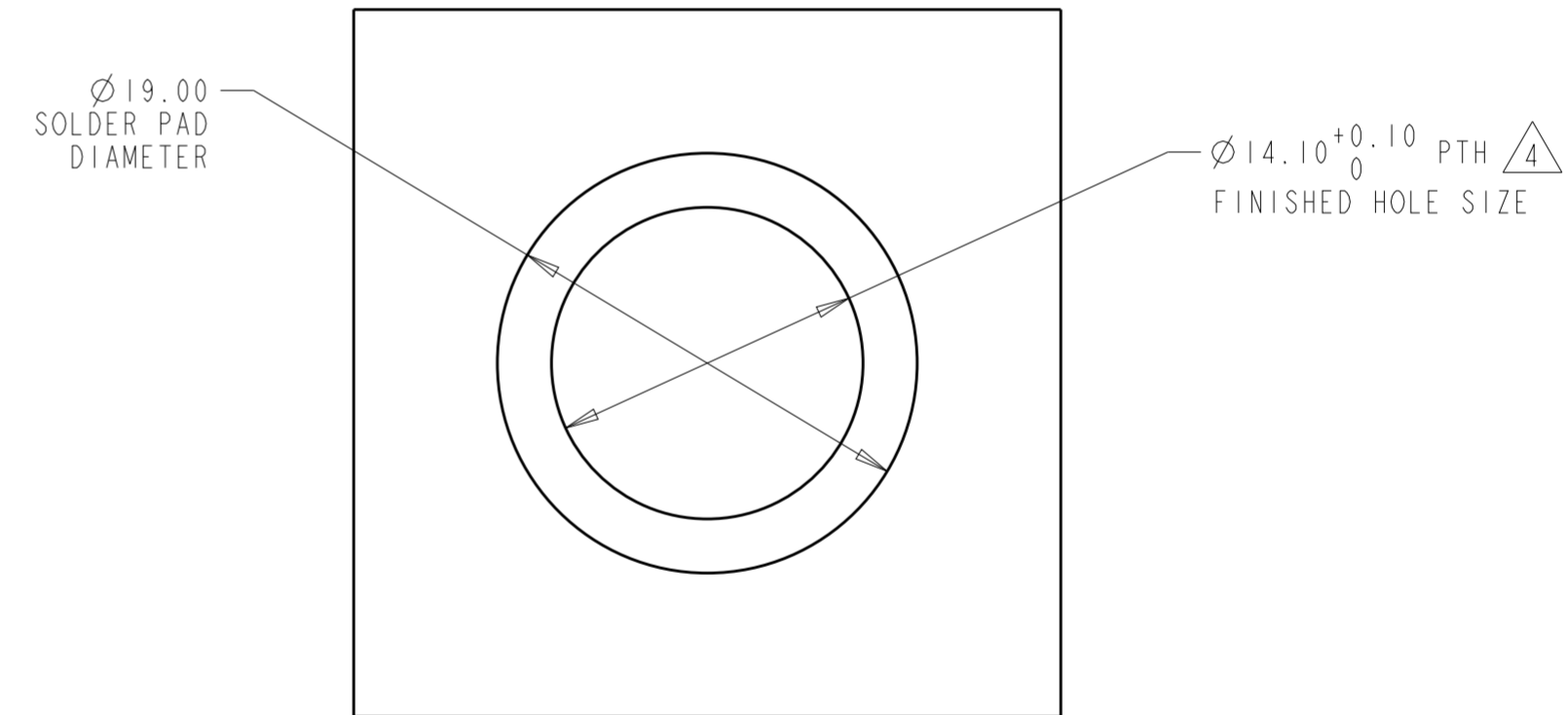
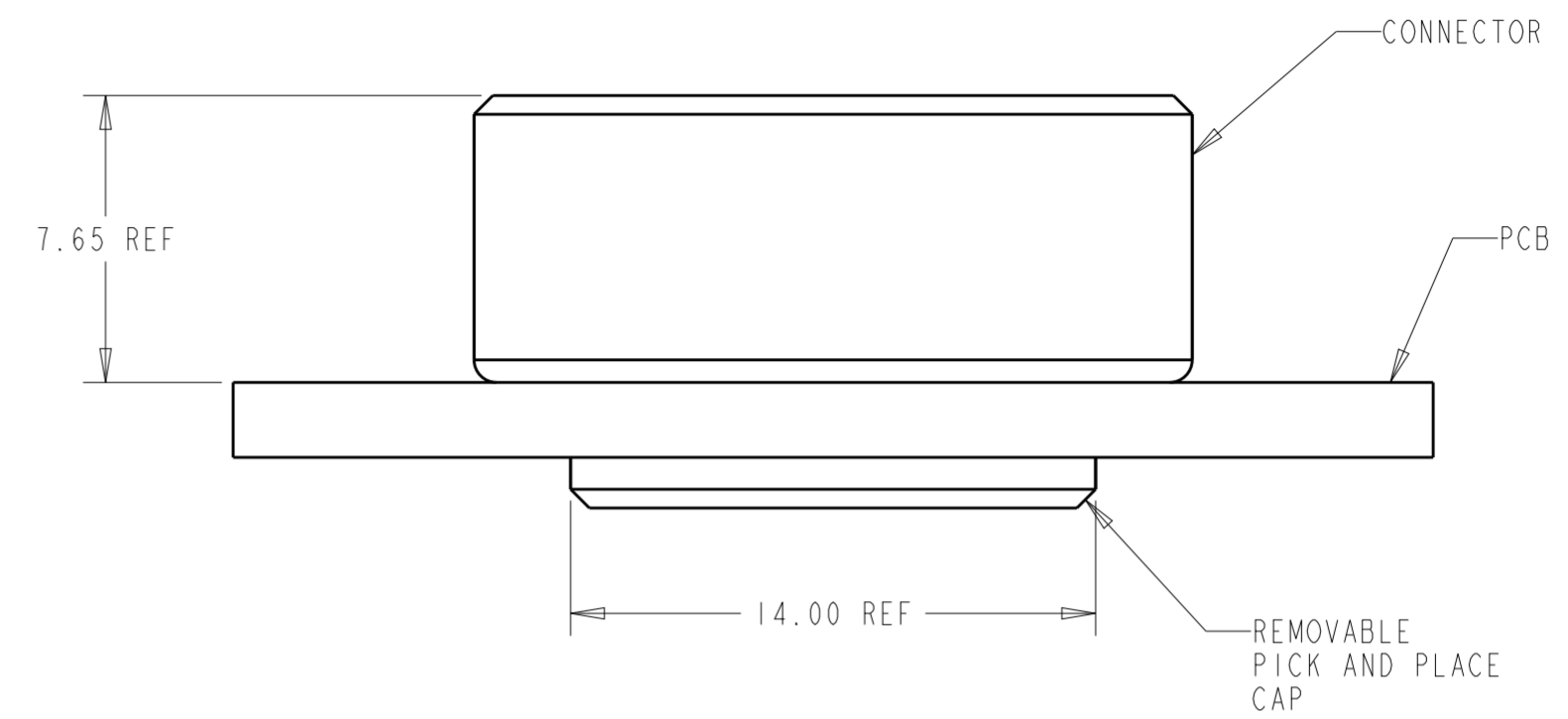
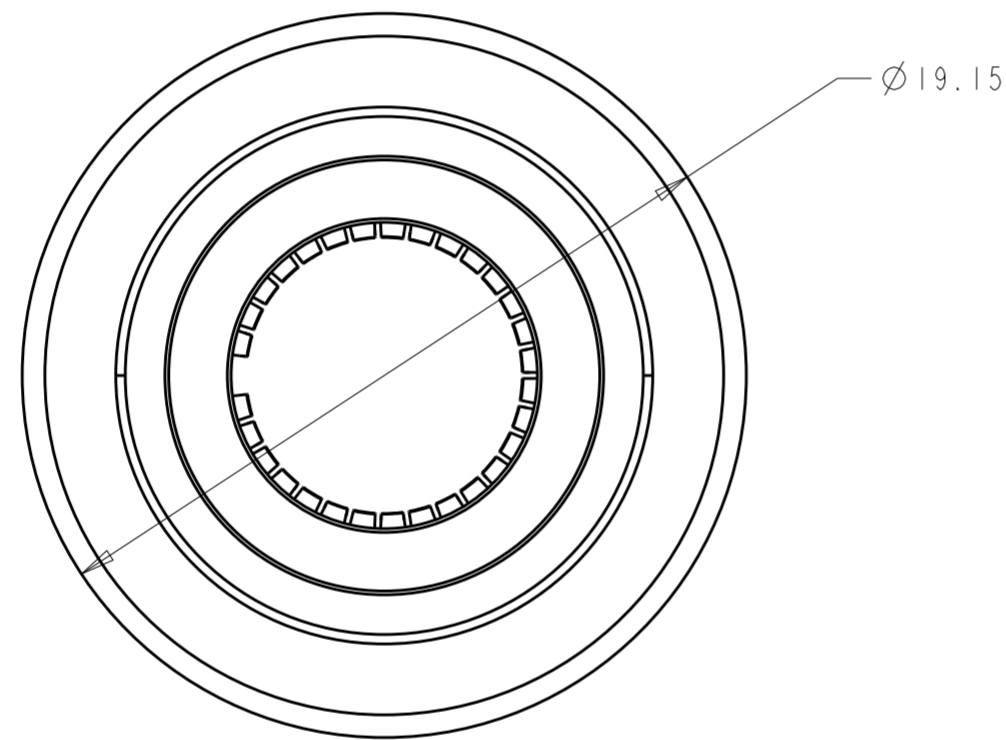
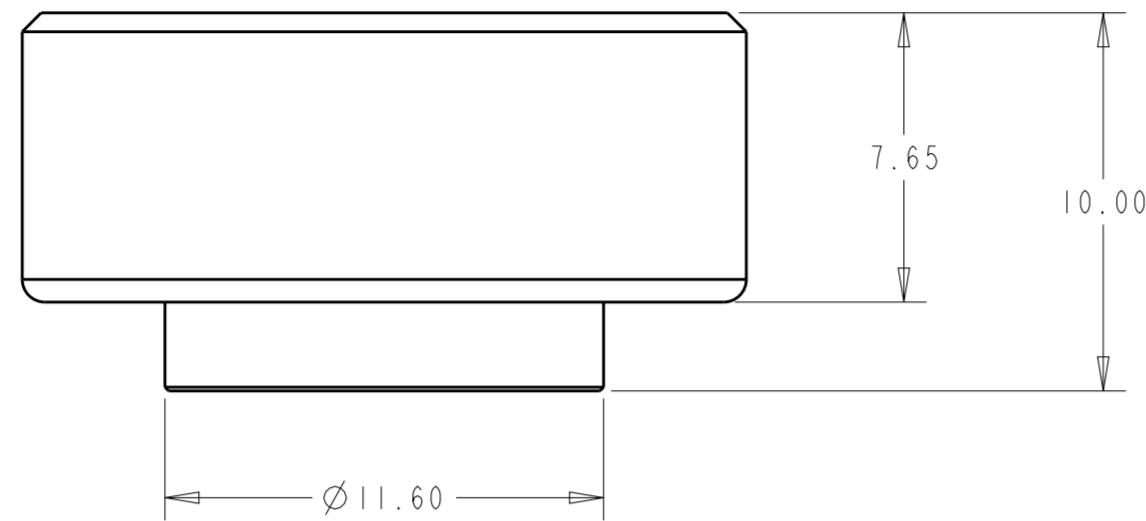


REVISIONS				
P	LTR	DESCRIPTION	DATE	APVD
A		RELEASE	13OCT2020	AL SZ



RECOMMENDED PCB LAYOUT

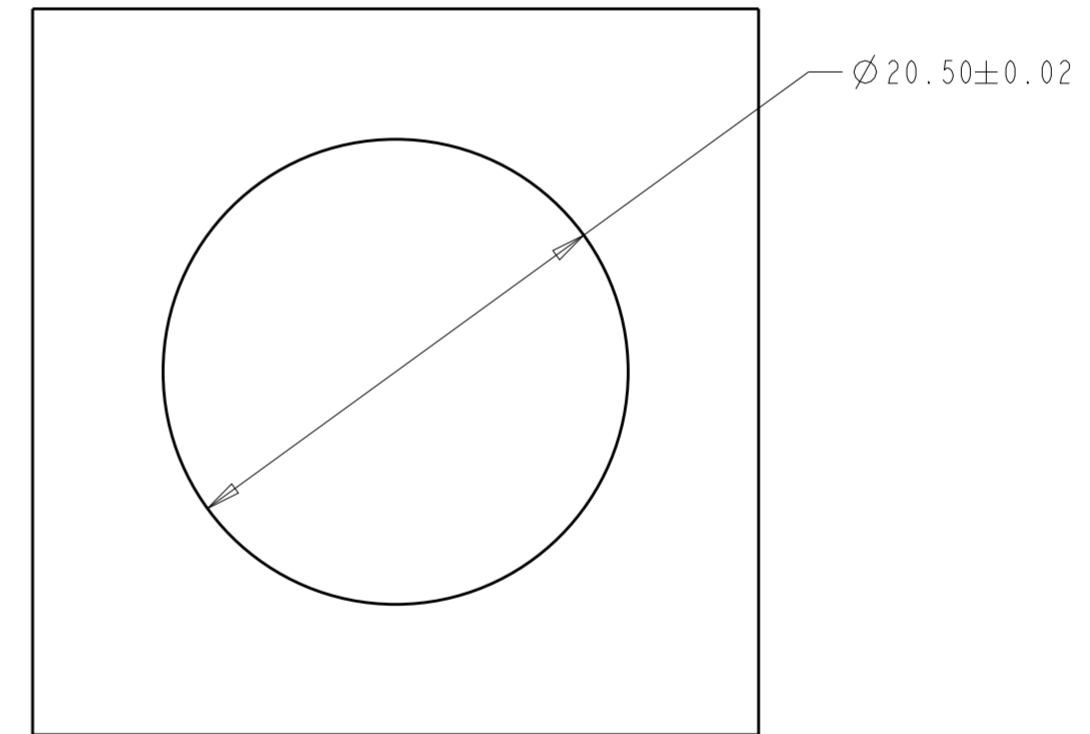
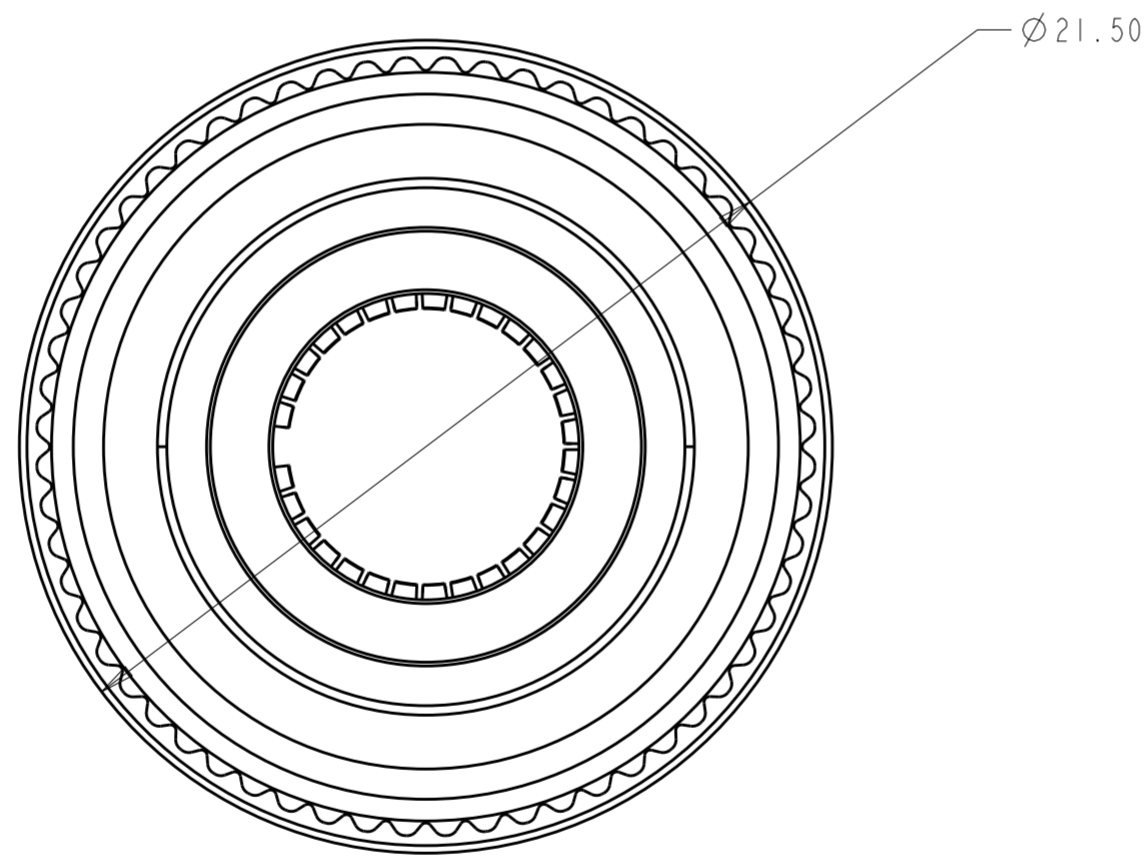
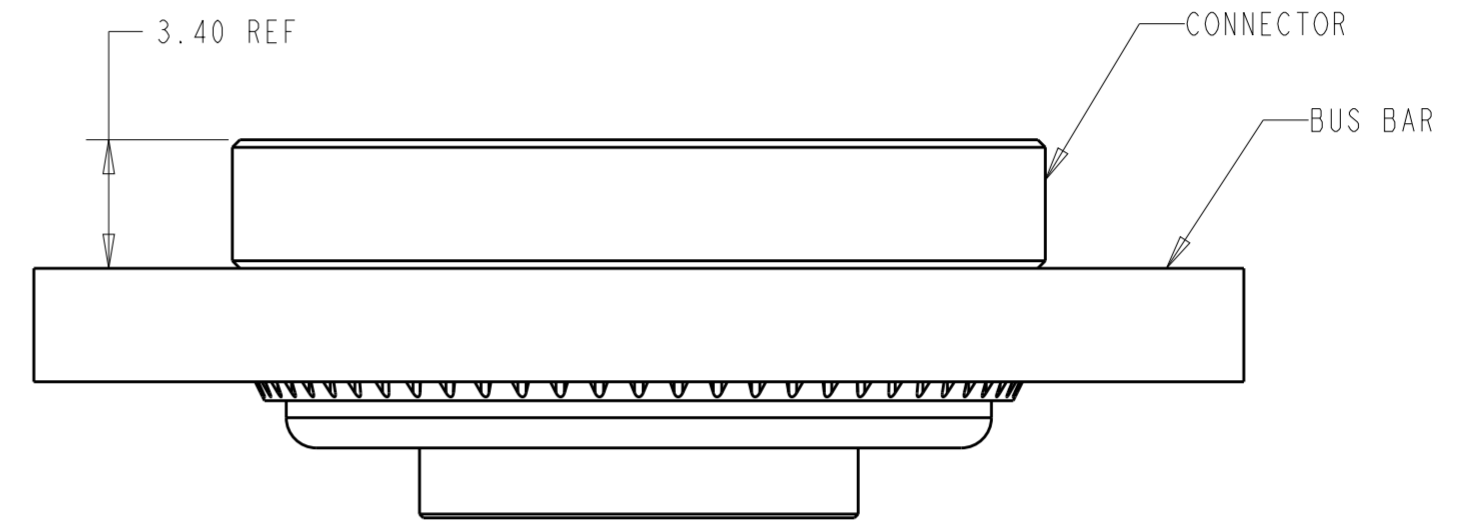
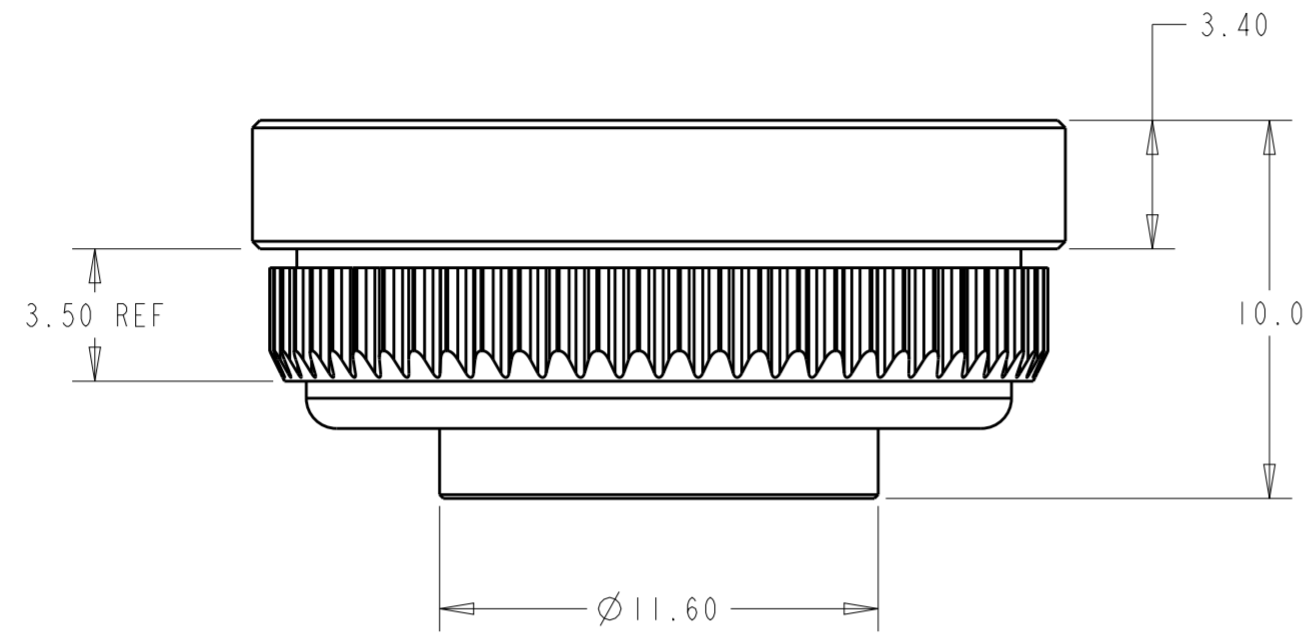
NOTES:

1. MATERIAL: COPPER ALLOY
2. FINISH: NOBLE METAL PLATING ON CONTACT AREA.
3. MATING PIN FLOATING SUPPORT: $\pm 1.0\text{mm}$
4. RECOMMENDED DRILL HOLE SIZE: 14.25mm

2361483-1 PART NUMBER

THIS DRAWING IS A CONTROLLED DOCUMENT.		DWN ANDY LI 16AUG2019	TE Connectivity	
		CHK -		
DIMENSIONS: mm		APVD SUNY ZHAO 16AUG2019	NAME 8mm, 1mm FLOATING ROUND SOCKET	
		PRODUCT SPEC 108-128111	SIZE A2	
TOLERANCES UNLESS OTHERWISE SPECIFIED:		APPLICATION SPEC 114-128112	CAGE CODE 00779	DRAWING NO C-2361483
MATERIAL -		FINISH -	WEIGHT -	RESTRICTED TO -
		CUSTOMER DRAWING	SCALE 5:1	SHEET 1 OF 3
				REV A

P	LTR	DESCRIPTION	DATE	DWN	APVD
		SEE SHEET 1			



RECOMMENDED BUS BAR LAYOUT

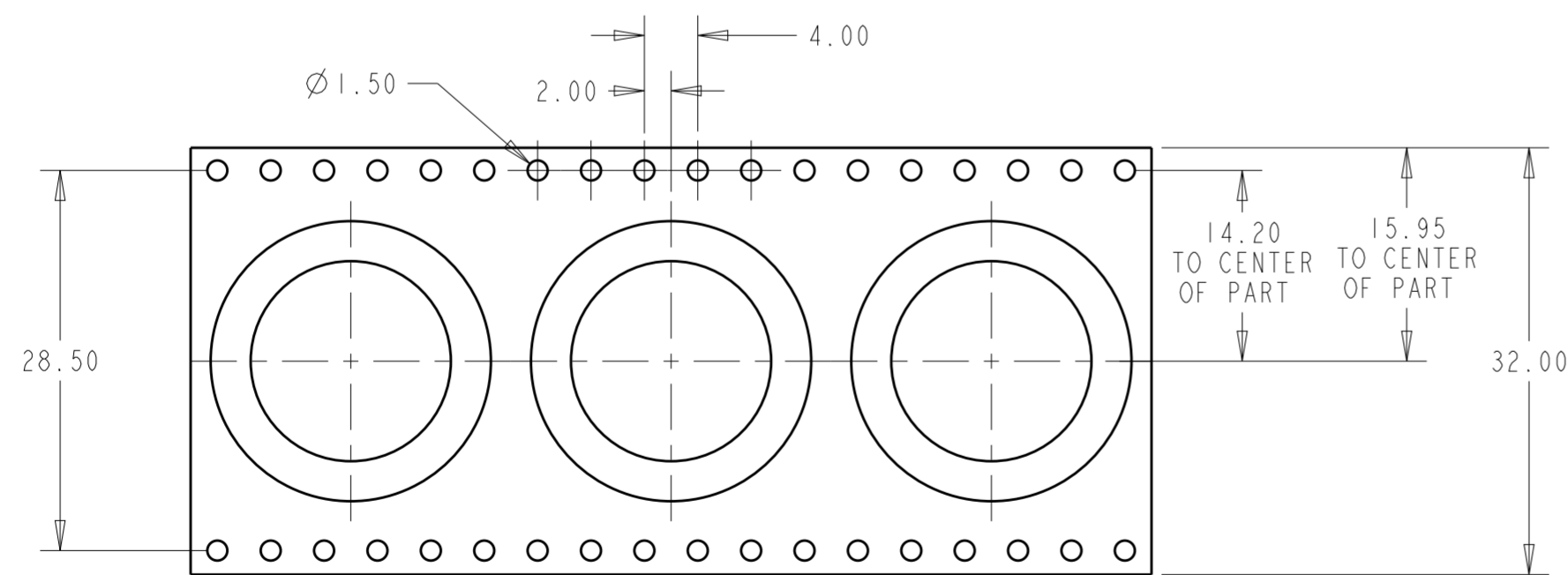
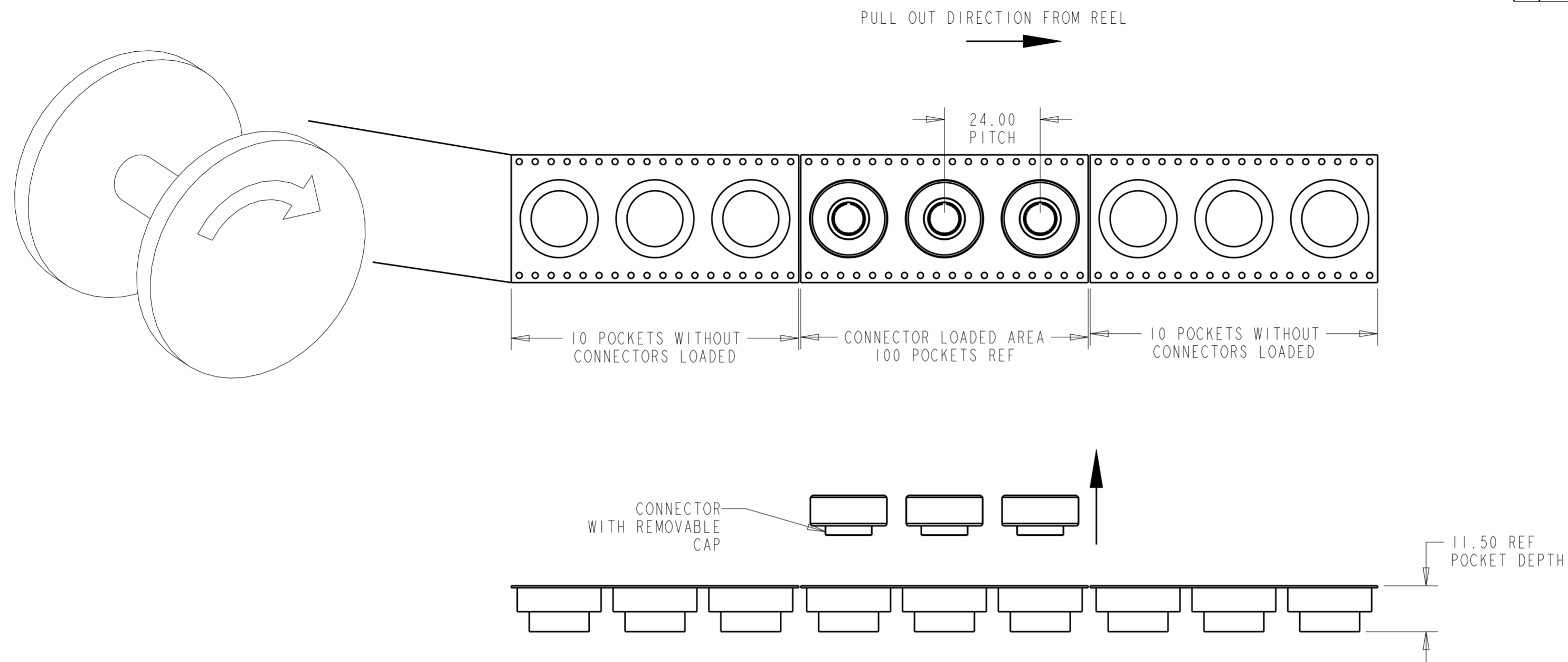
NOTES:

1. MATERIAL: COPPER ALLOY
2. FINISH: NOBLE METAL PLATING ON CONTACT AREA.
3. MATING PIN FLOATING SUPPORT: ±1.0mm

1-2361483-1 PART NUMBER

THIS DRAWING IS A CONTROLLED DOCUMENT.		DWN ANDY LI 16AUG2019	TE Connectivity	
DIMENSIONS: mm		CHK -		
TOLERANCES UNLESS OTHERWISE SPECIFIED:		APVD SUNY ZHAO 16AUG2019	NAME 8mm, 1mm FLOATING ROUND SOCKET	
0 PLC ±		PRODUCT SPEC 108-128111	SIZE A2	
1 PLC ±0.3		APPLICATION SPEC 114-128112	CAGE CODE 00779	DRAWING NO C-2361483
2 PLC ±0.2		WEIGHT -	RESTRICTED TO -	
3 PLC ±0.1		CUSTOMER DRAWING	SCALE 1:1	SHEET 2 OF 3
4 PLC ±0.0001				REV A
ANGLES ±				
FINISH				

P	LTR	DESCRIPTION	DATE	DWN	APVD
		SEE SHEET 1			



PACKING SPECIFICATION FOR 2361483-1

THIS DRAWING IS A CONTROLLED DOCUMENT.		DWN ANDY LI 16AUG2019	TE Connectivity	
DIMENSIONS: mm		CHK -		
TOLERANCES UNLESS OTHERWISE SPECIFIED:		APVD SUNY ZHAO 16AUG2019	NAME 8mm, 1mm FLOATING ROUND SOCKET	
0 PLC ± 1 PLC ±0.3 2 PLC ±0.2 3 PLC ±0.1 4 PLC ±0.0001 ANGLES ± FINISH -		PRODUCT SPEC 108-128111	RESTRICTED TO -	
MATERIAL -		APPLICATION SPEC 114-128112	SIZE A2	CAGE CODE 00779
		WEIGHT -	DRAWING NO C-2361483	SCALE 5:1
		CUSTOMER DRAWING	SHEET 3 OF 3	REV A

X-ON Electronics

Largest Supplier of Electrical and Electronic Components

Click to view similar products for [Heavy Duty Power Connectors](#) category:

Click to view products by [TE Connectivity](#) manufacturer:

Other Similar products are found below :

[647757-1](#) [6643411-1](#) [6646058-2](#) [6646137-1](#) [6646138-1](#) [6646479-1](#) [6646608-1](#) [6646786-1](#) [6646940-1](#) [6651091-1](#) [6651525-1](#) [6651529-1](#)
[6651788-1](#) [696475-1](#) [702-32-01109](#) [703-25-02205](#) [73000005059](#) [73000005642](#) [73080255059](#) [73080965046](#) [765-15-0080A](#) [765-16-0080B](#)
[765-18-0080D](#) [829992-1](#) [902-77-02113](#) [PS00/A0620/6300](#) [PS25/A0420/63](#) [129-1J](#) [1409400](#) [AN0024023](#) [E6374G1](#) [e6389g2](#) [157-43GW8](#)
[MS3117-14AC](#) [1643543-1](#) [1650540-1](#) [1651811-2](#) [1766260-1](#) [1766282-1](#) [1766966-1](#) [1791340000](#) [NLDFT-3-BL-L-S120-M40A](#) [NLDFT-N-](#)
[W-L-C240-M40B](#) [NLS-2-R-C240-M40B](#) [NLS-N-W-C240-M40B](#) [NPS-3-BL-T6](#) [1986615-1](#) [2-1589900-8](#) [2199314-1](#) [KA8102](#)