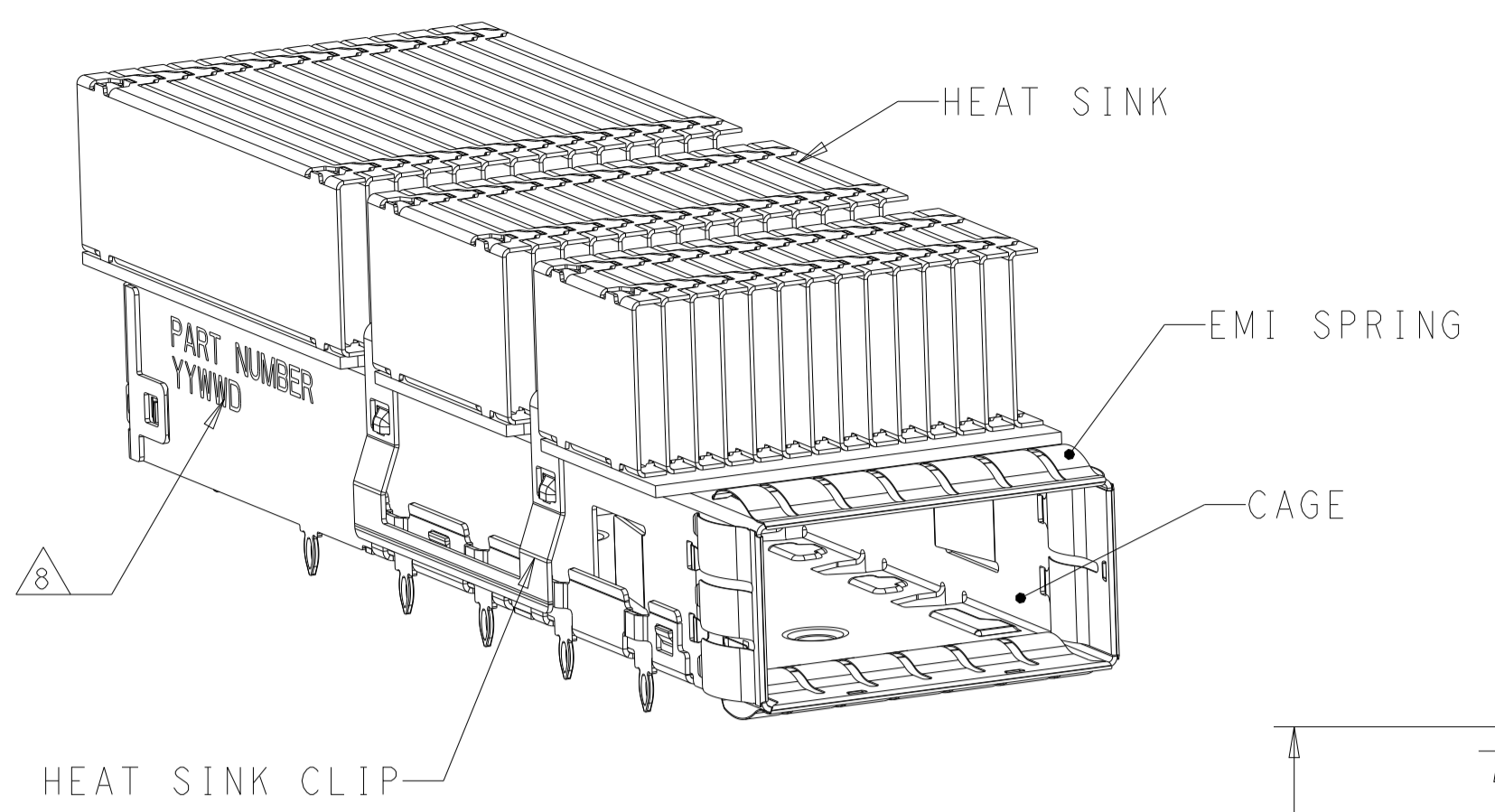
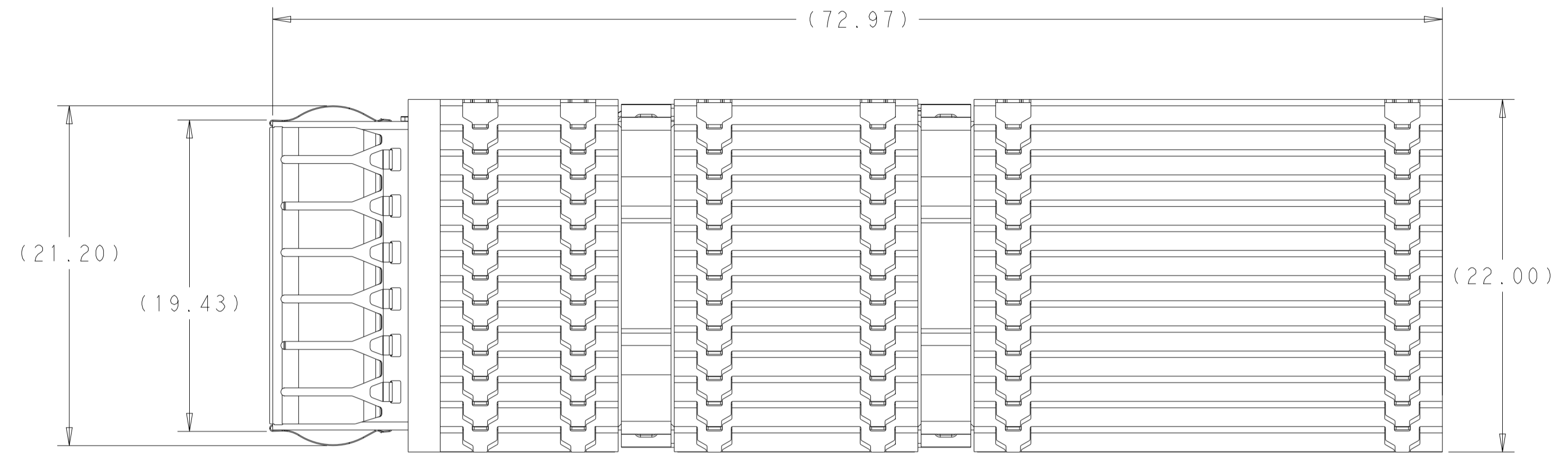


LOC		DIST		REVISIONS			
P	LTN	DESCRIPTION	DATE	DMN	APVD		
A3		ADDED NEW DASH 1-1/1-2	12JUN2020	AJ	SH		
A4		REVISED PER ECO-20-015680	05NOV2020	SH	SZ		
A6		REVISED PER ECN-21-105117	11MAY2021	SH	SZ		
A7		REVISED PER ECN-21-130601	10NOV2021	VL	ZSH		

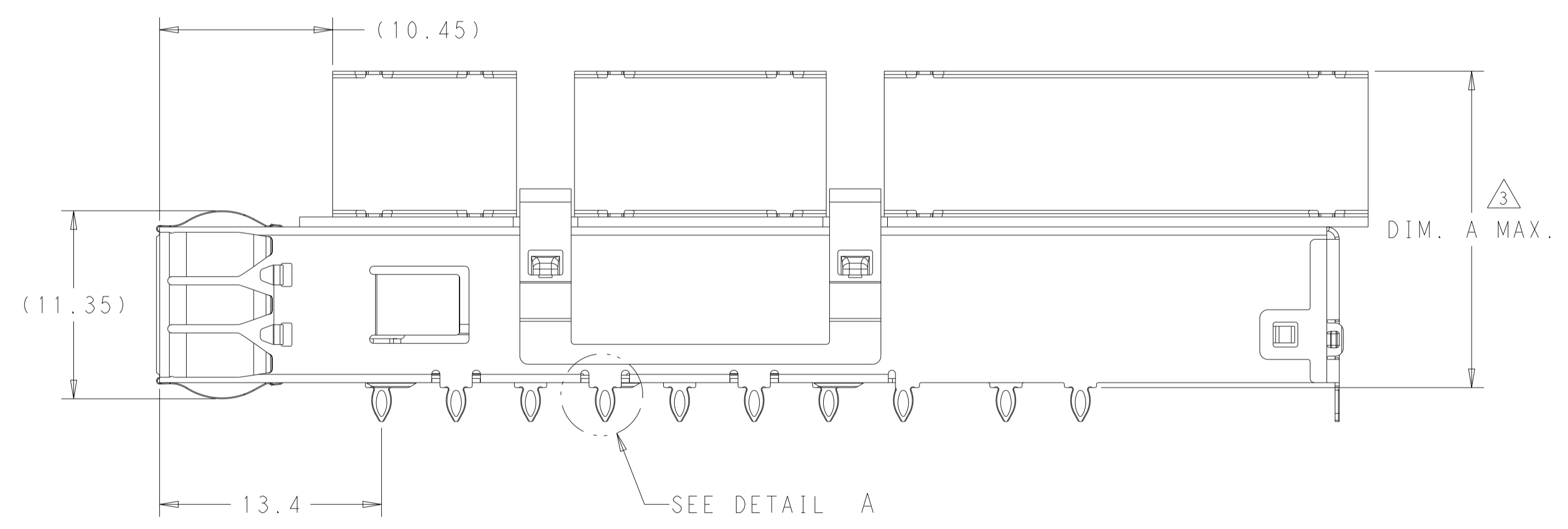
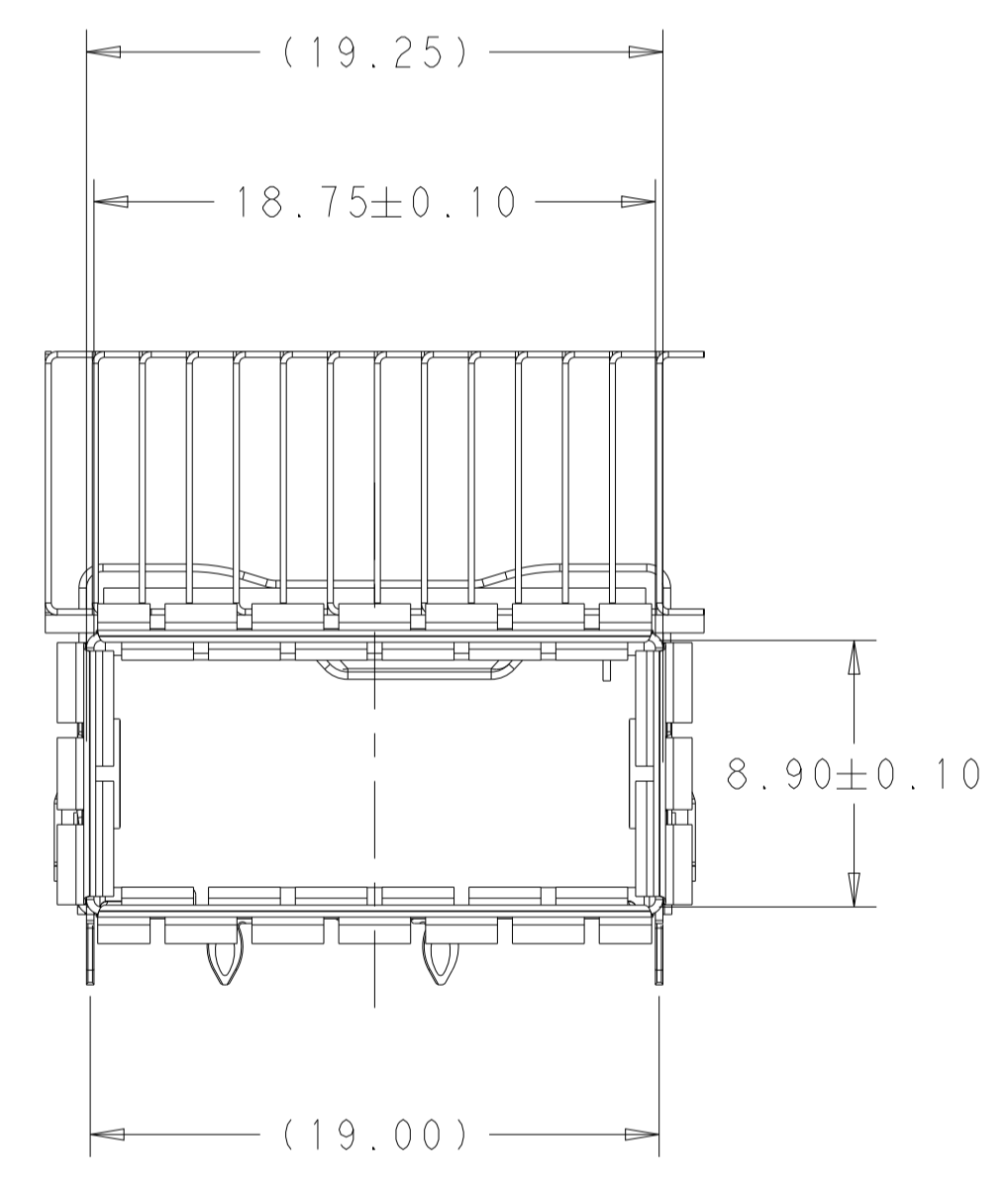


2361706-1 AS SHOWN
SCALE 3:1

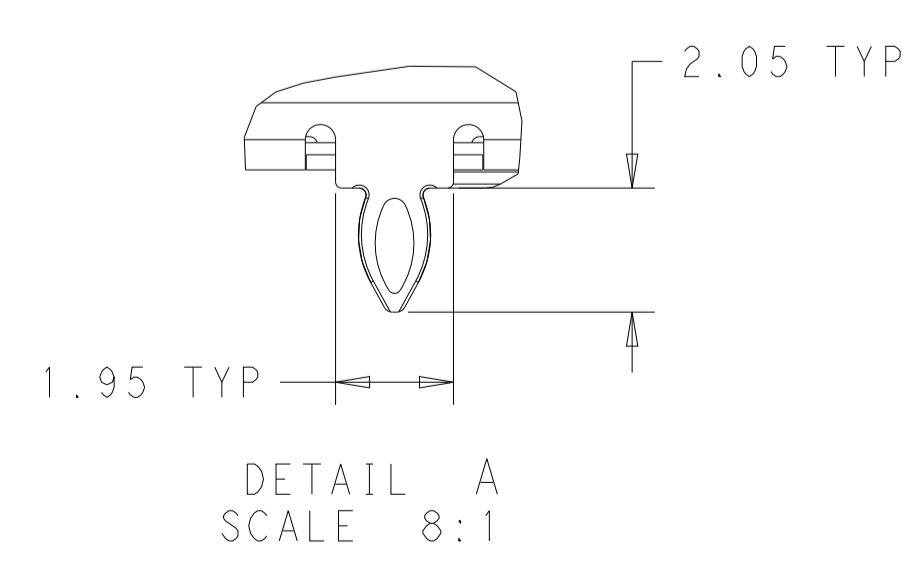
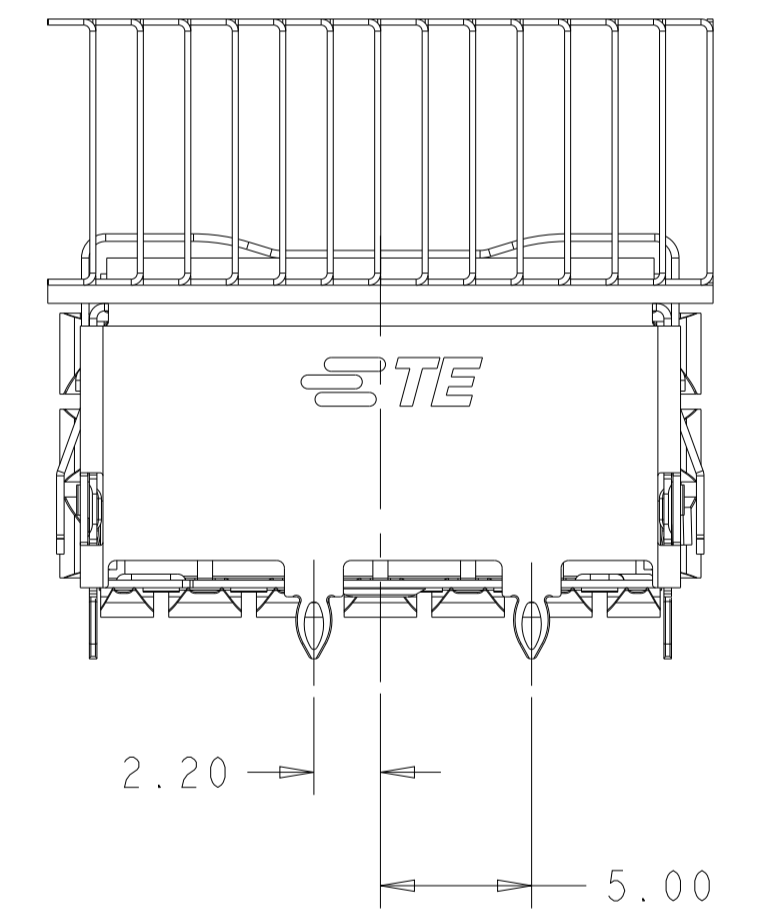


1. MATERIAL:
 CAGE MATERIAL : 0.25 THICK STAINLESS STEEL.
 SPRING MATERIAL: COPPER ALLOY
 CLIP MATERIAL: STAINLESS STEEL
 HEAT SINK: ALUMINUM
 ABSORBER: RF ABSORBER
 HEAT PIPE: COPPER
 BASE: COPPER

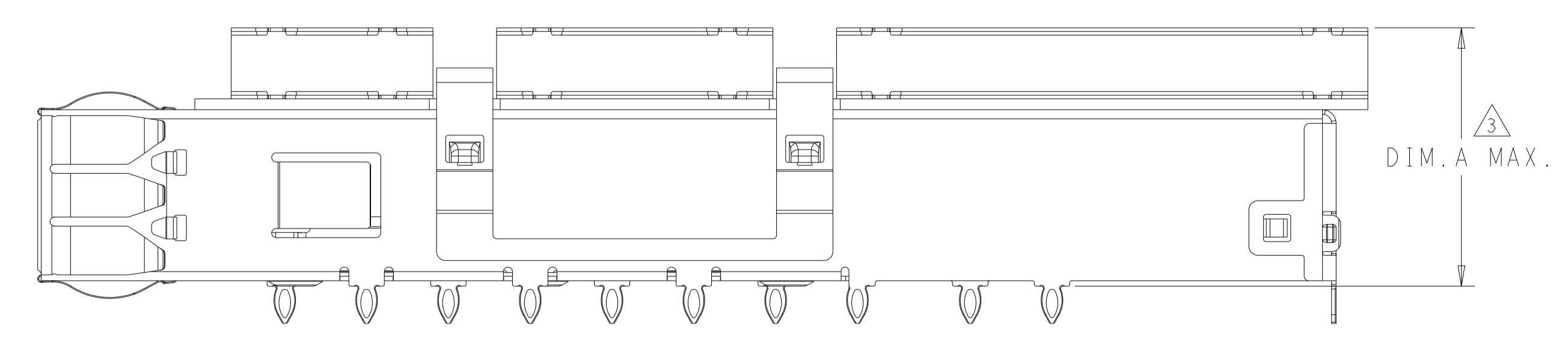
2. FINISH:
 SPRING: NICKEL PLATING
 HEAT SINK: NICKEL PLATING
3. DIMENSION APPLIES WITH MODULE INSTALLED IN THE CAGE TO TOP OF HEAT SINK.
4. REFERENCE APPLICATION SPEC 114-60025 FOR RECOMMENDED DRILL HOLE DIAMETER AND PLATING THICKNESS.
5. DATUM AND BASIC DIMENSIONS ESTABLISHED BY CUSTOMERS.
6. MINIMUM PC BOARD THICKNESS : SINGLES SIDED: 1.57 MIN
 DOUBLE SIDED: 3.00 MIN
7. DATUM **-A-** IS TOP SURFACE OF THE HOST BOARD.
8. DATE CODE (YYWD) MARKED APPROXIMATELY AS SHOWN
9. MATES WITH QSFP DD MSA COMPATIBLE TRANSCEIVER.



2361706-1 AS SHOWN
SCALE 4:1



DETAIL A
SCALE 8:1



2361706-2 AS SHOWN
SAME AS -1 EXCEPT LOWER HS HEIGHT
SCALE 4:1

DIM. A	# REAR PINS	PART NUMBER
24.2	0	1-2361706-4
26.0	2	2-2361706-1
19.1	0	1-2361706-3
15.0	0	1-2361706-2
19.9	0	1-2361706-1
19.1	2	2361706-5
14.1	2	2361706-3
15.0	2	2361706-2
19.9	2	2361706-1

THIS DRAWING IS A CONTROLLED DOCUMENT. DWN: ARTHUR JIN 22AUG2019
 CHK: SEAN HAN 22AUG2019

DIMENSIONS: mm
 TOLERANCES UNLESS OTHERWISE SPECIFIED:
 0 PLC ±
 1 PLC ±0.25
 2 PLC ±0.20
 3 PLC ±0.10
 4 PLC ±
 ANGLES ±
 FINISH ±

PRODUCT SPEC: 108-60122
 APPLICATION SPEC: 114-60025

MATERIAL: -
 WEIGHT: -

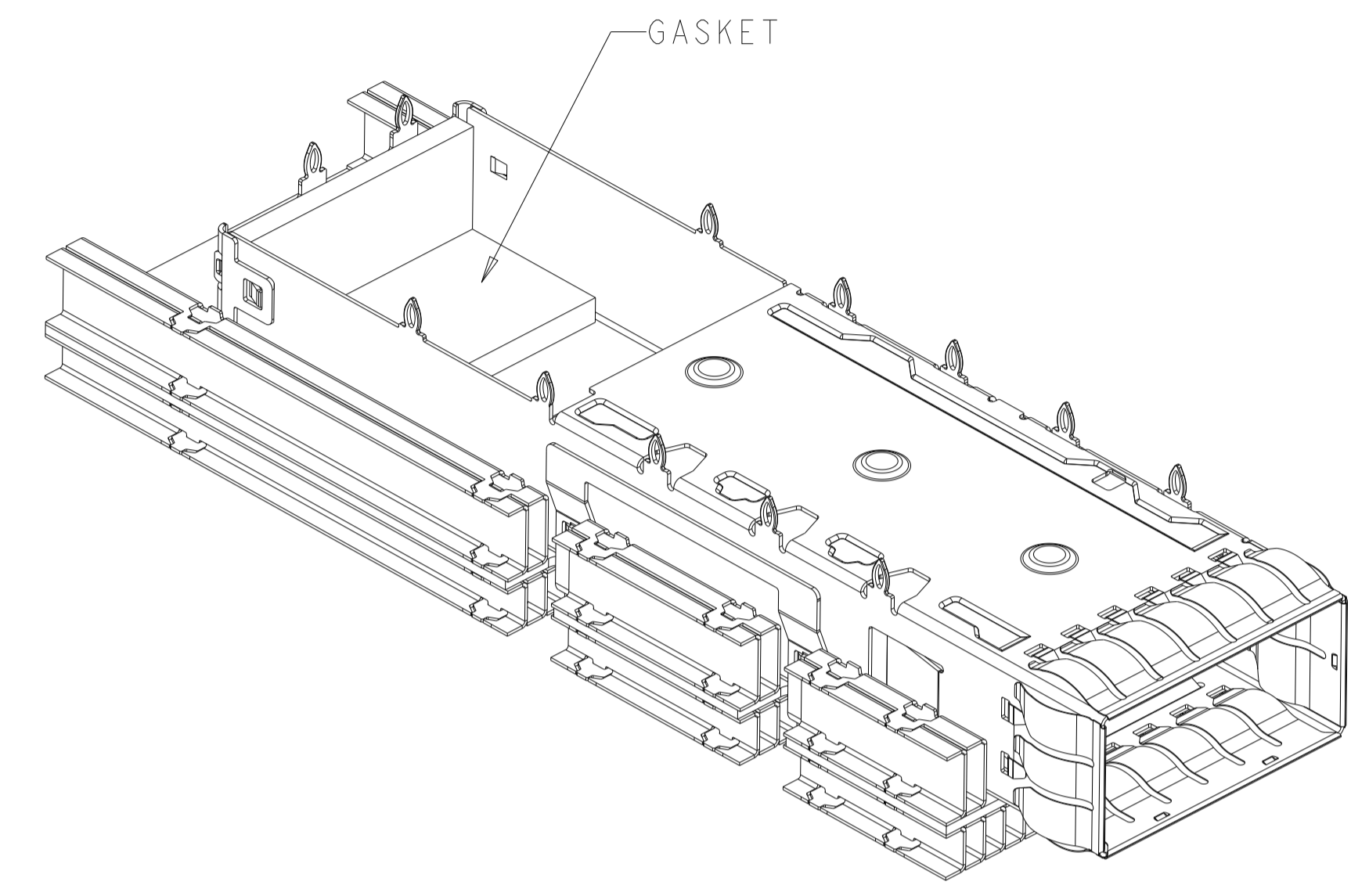
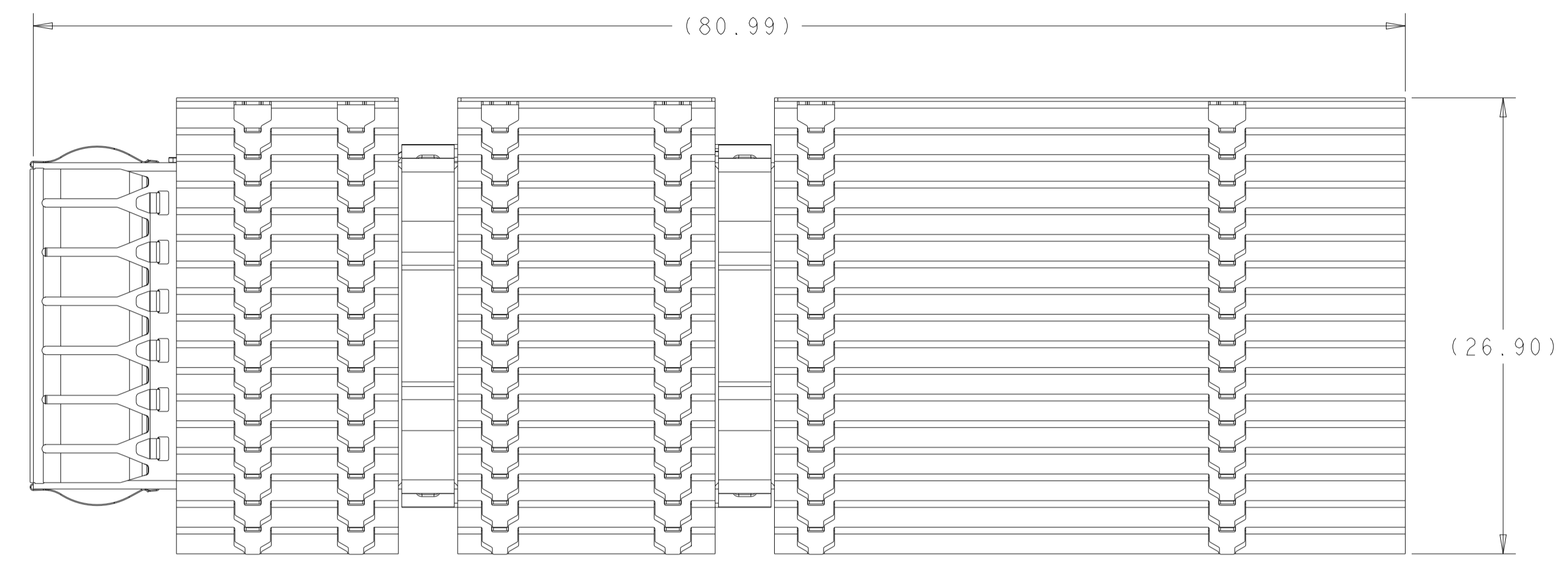
CUSTOMER DRAWING

NAME: CAGE ASSEMBLY, QSFP-DD 1X1 WITH WIDE HEAT SINK
 SIZE: A1
 CAGE CODE: -
 DRAWING NO: C=2361706
 RESTRICTED TO: -

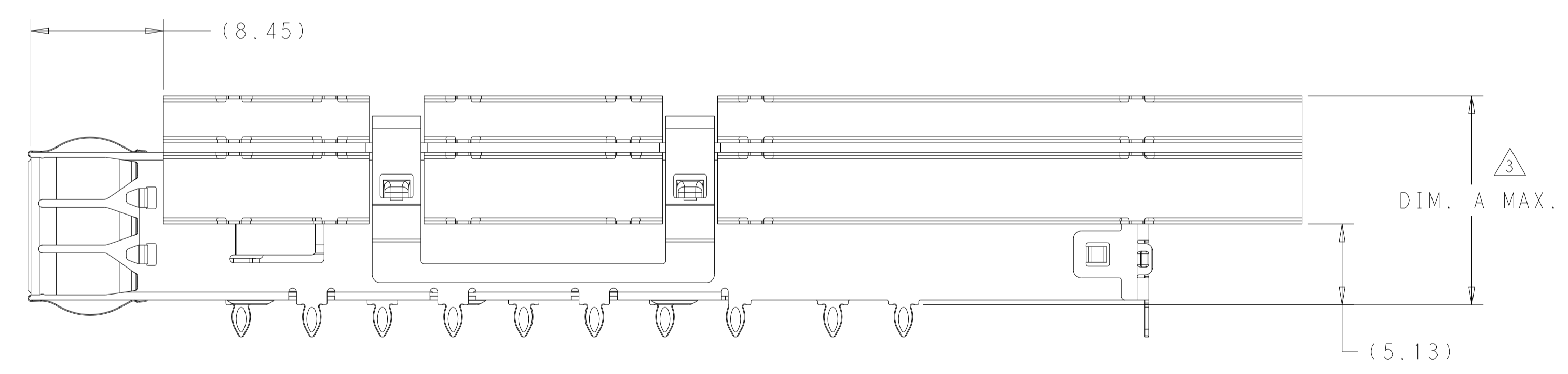
SCALE: 2:1
 SHEET: 1 OF 9
 REV: A7

LOC		DIST		REVISIONS			
P	LTN	DESCRIPTION	DATE	DMN	APVD		
-	-	SEE SHEET 1	-	-	-		

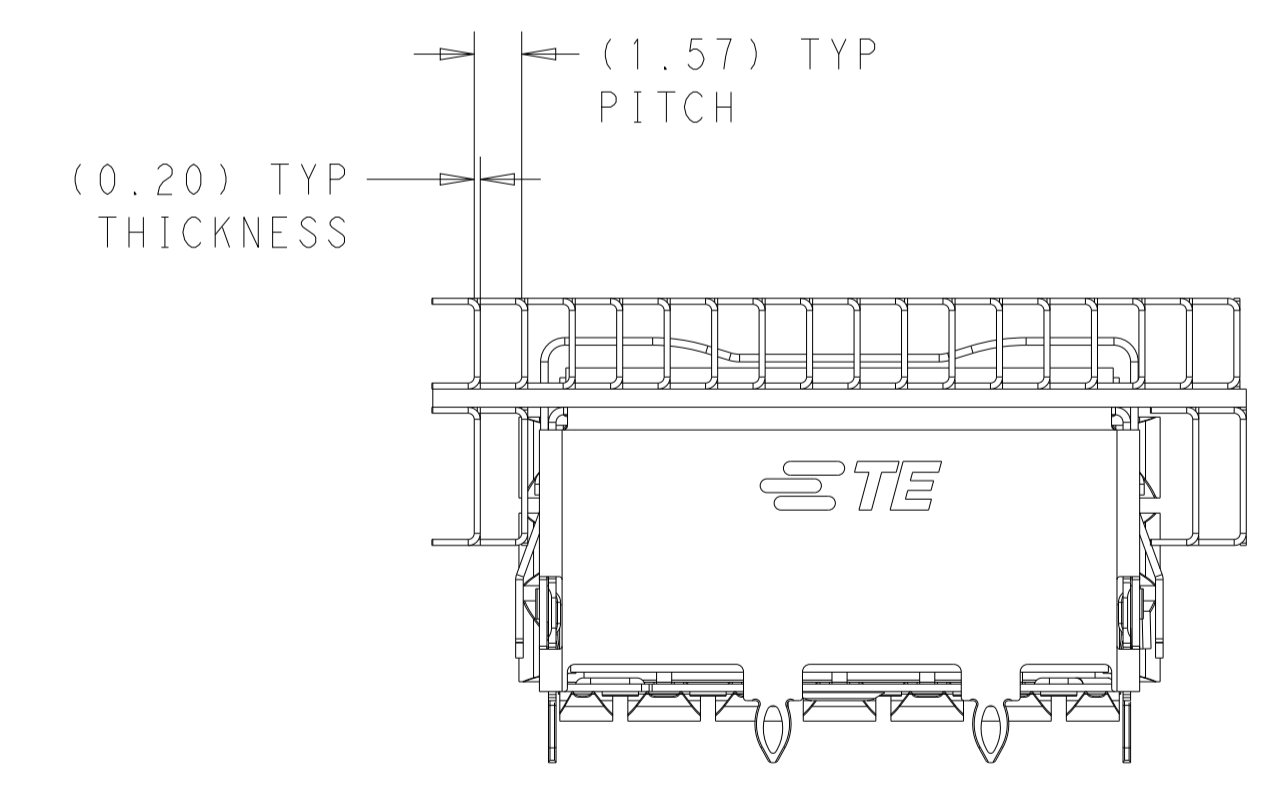
2361706-3 SHOWN IN THIS SHEET
 UNSPECIFIED DIMENSIONS SAME AS -1



2361706-3 AS SHOWN
 SCALE 3:1

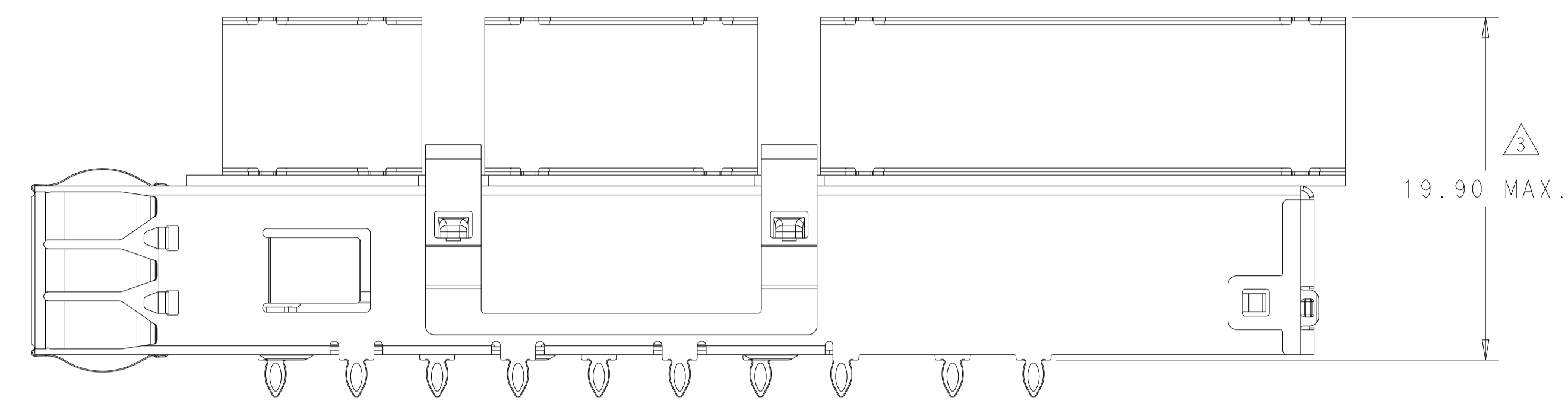


2361706-3 AS SHOWN
 SCALE 4:1

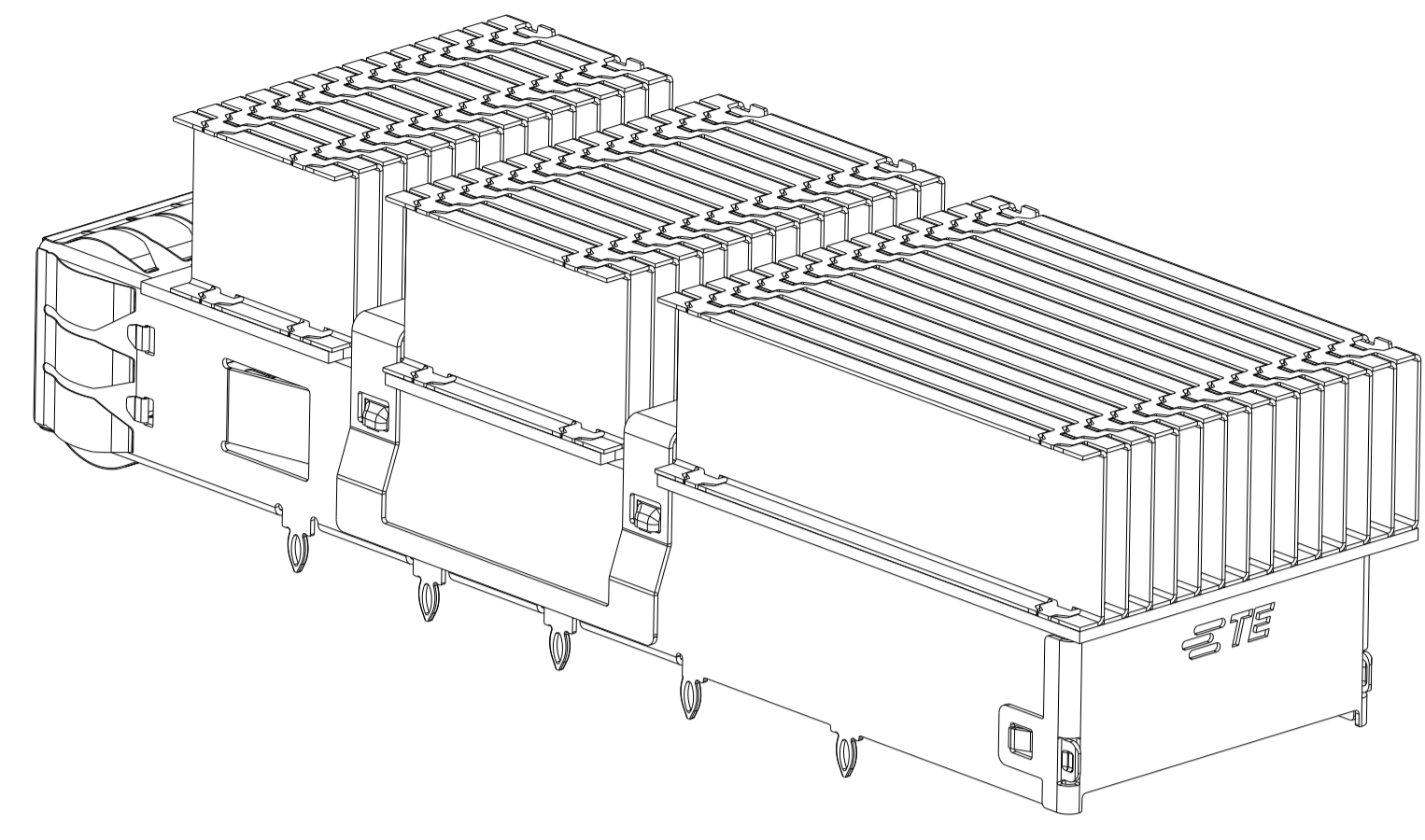


THIS DRAWING IS A CONTROLLED DOCUMENT.		DMN ARTHUR JIN 22AUG2019	TE Connectivity	
DIMENSIONS:		CHK SEAN HAN 22AUG2019	NAME CAGE ASSEMBLY, QSFP-DD 1X1 WITH WIDE HEAT SINK	
mm	TOLERANCES UNLESS OTHERWISE SPECIFIED:	APVD	PRODUCT SPEC	RESTRICTED TO
	0 PLC ±		108-60122	
	1 PLC ±0.25		APPLICATION SPEC	
	2 PLC ±0.20		114-60025	
	3 PLC ±0.10		WEIGHT	
	4 PLC ±			
	ANGLES ±			
	FINISH			
MATERIAL			CUSTOMER DRAWING	
			SCALE 2:1	SHEET 2 OF 9
				REV A7

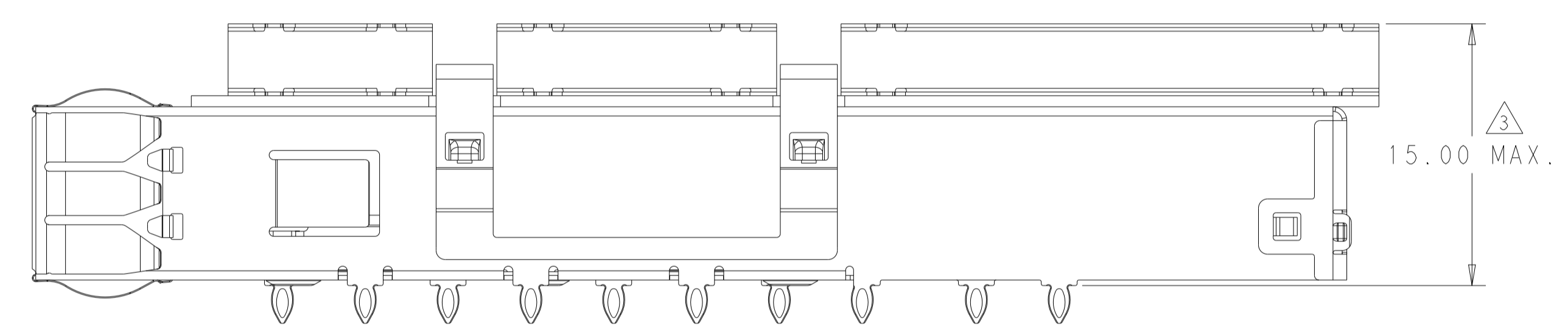
LOC		DIST		REVISIONS			
P	LTN	DESCRIPTION	DATE	DMN	APVD		
-	-	SEE SHEET 1	-	-	-		



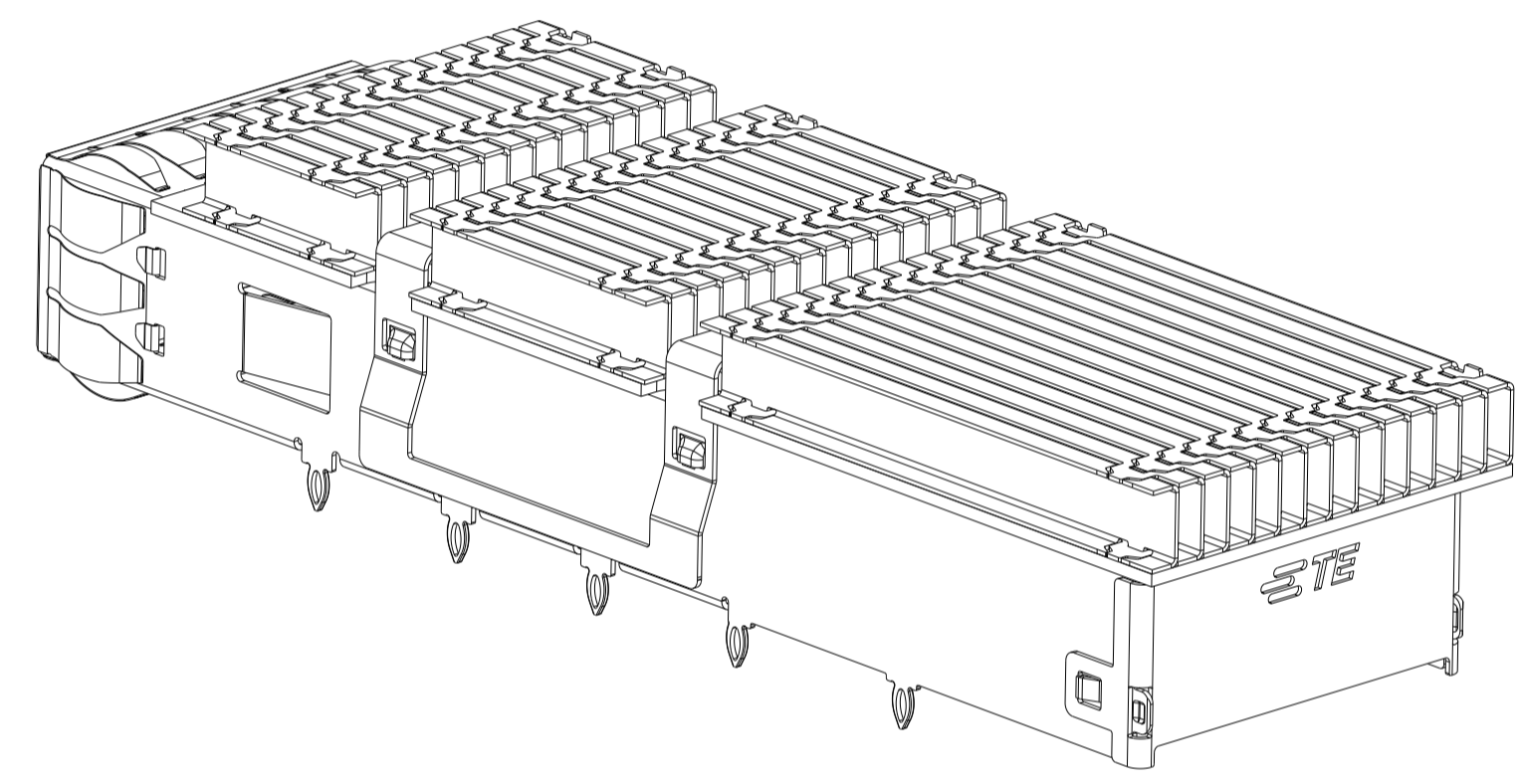
1-2361706-1 AS SHOWN
 SAME AS 2361706-1 EXCEPT WITHOUT REAR PIN
 SCALE 4:1



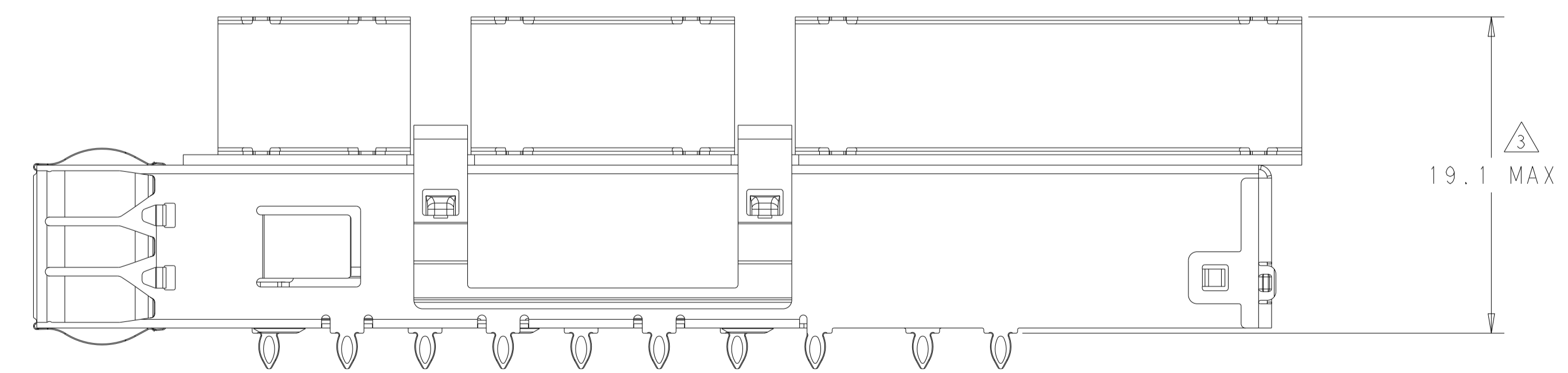
1-2361706-1 AS SHOWN
 SCALE 3:1



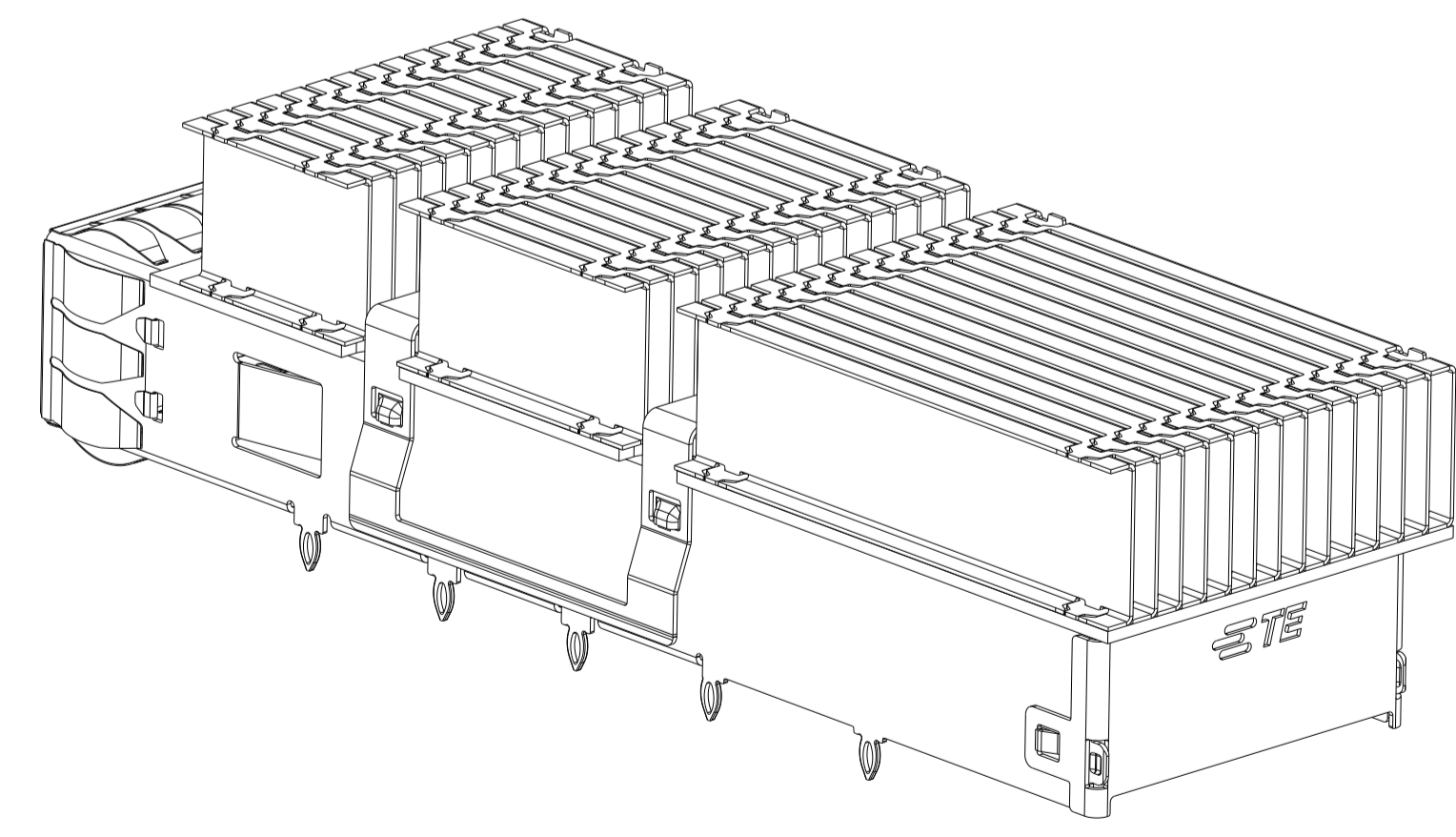
1-2361706-2 AS SHOWN
 SAME AS 2361706-2 EXCEPT WITHOUT REAR PIN
 SCALE 4:1



1-2361706-2 AS SHOWN
 SCALE 3:1



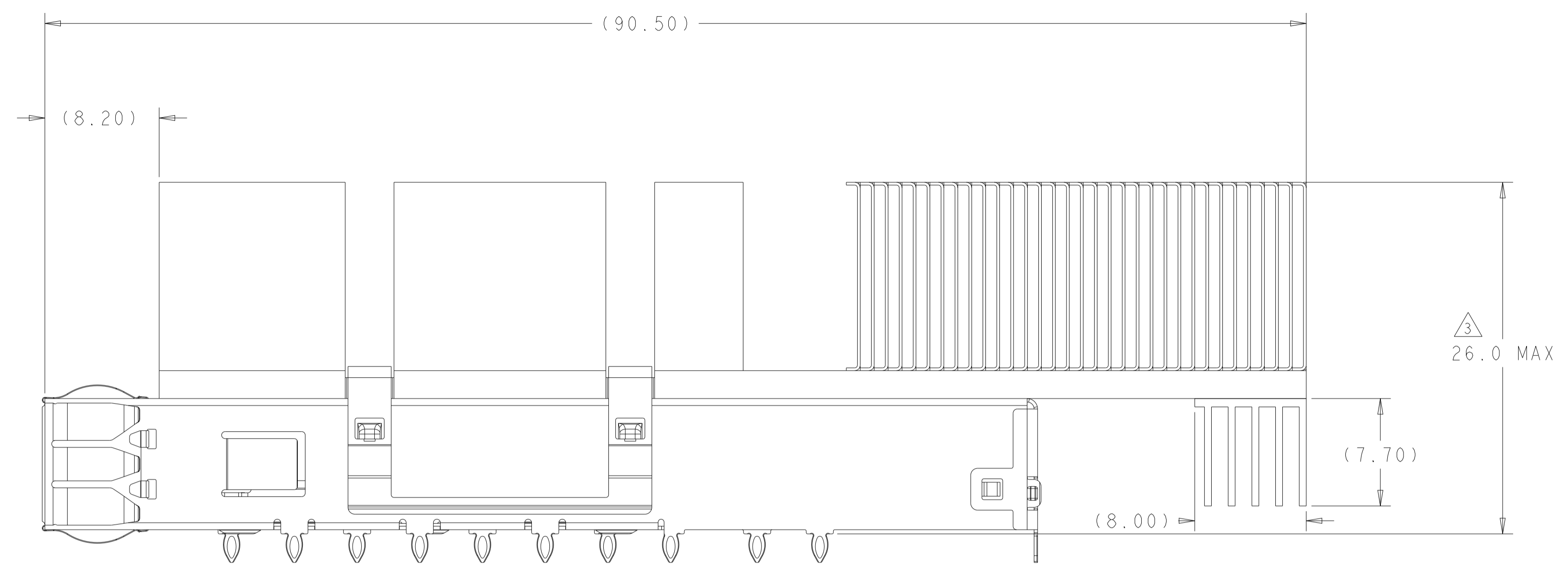
1-2361706-3 AS SHOWN
 SAME AS 1-2361706-1 EXCEPT HS
 SCALE 4:1



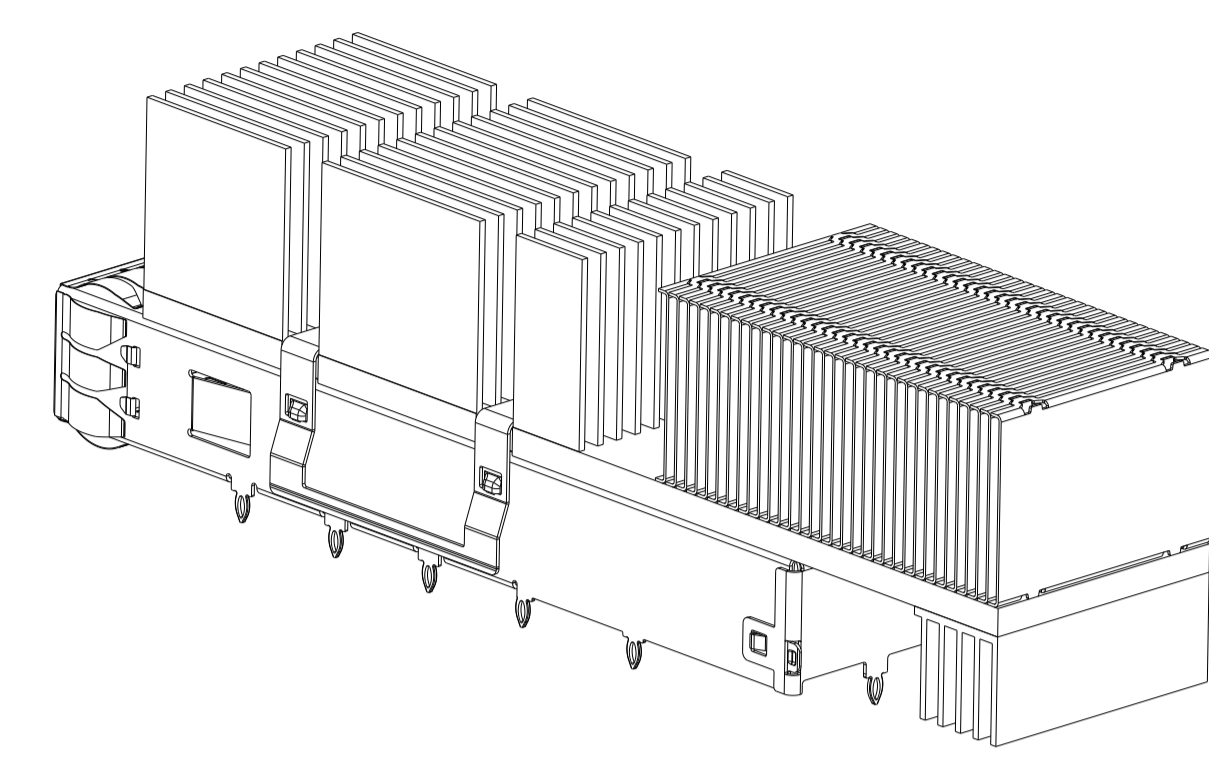
1-2361706-3 AS SHOWN
 SCALE 3:1

THIS DRAWING IS A CONTROLLED DOCUMENT.		DMN: ARTHUR JIN 22AUG2019	TE Connectivity
		CHK: SEAN HAN 22AUG2019	
DIMENSIONS:		APVD:	NAME:
TOLERANCES UNLESS OTHERWISE SPECIFIED:		PRODUCT SPEC:	CAGE ASSEMBLY, QSFP-DD 1X1
mm	0 PLC ±	108-60122	WITH WIDE HEAT SINK
	1 PLC ±0.25	APPLICATION SPEC:	SIZE: A1
	2 PLC ±0.20	114-60025	CAGE CODE: -
	3 PLC ±0.10	WEIGHT:	DRAWING NO: C=2361706
	4 PLC ±	CUSTOMER DRAWING	RESTRICTED TO:
	ANGLES ±	SCALE: 2:1	SHEET: 3 of 9
	FINISH:	REV: A7	

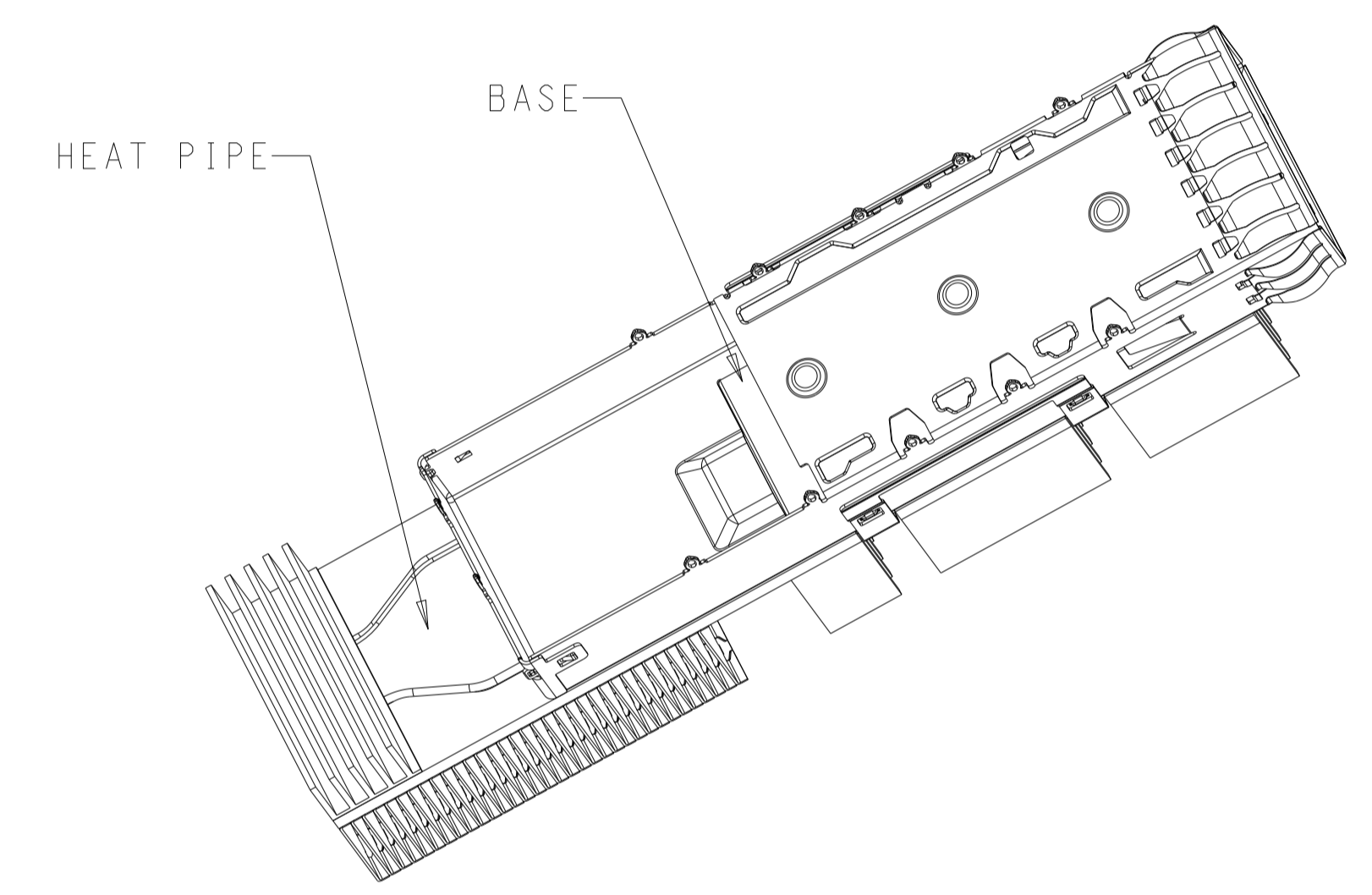
LOC		DIST		REVISIONS			
P	LTN	DESCRIPTION	DATE	OWN	APVD		
-	-	SEE SHEET 1	-	-	-		



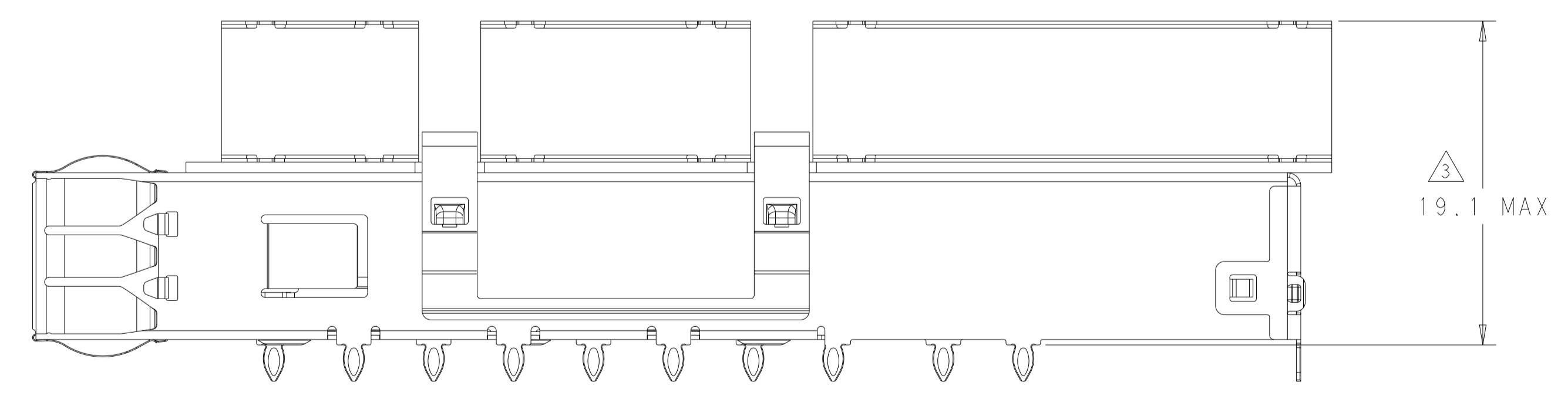
2-2361706-1 SAME AS -1 EXCEPT HS
SCALE 4:1



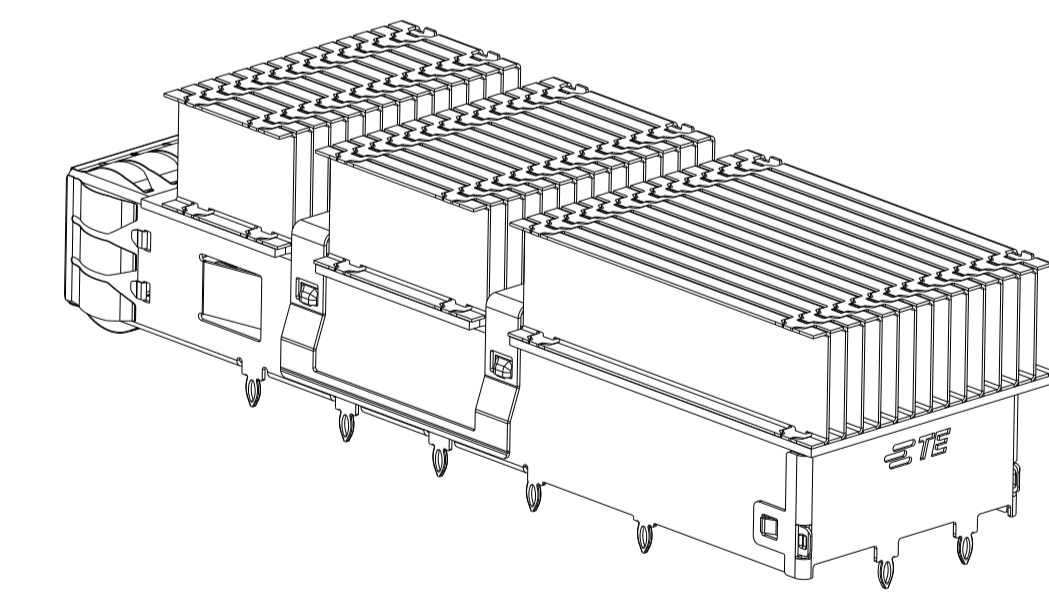
2-2361706-1 AS SHOWN
SCALE 2:1



SCALE 2:1



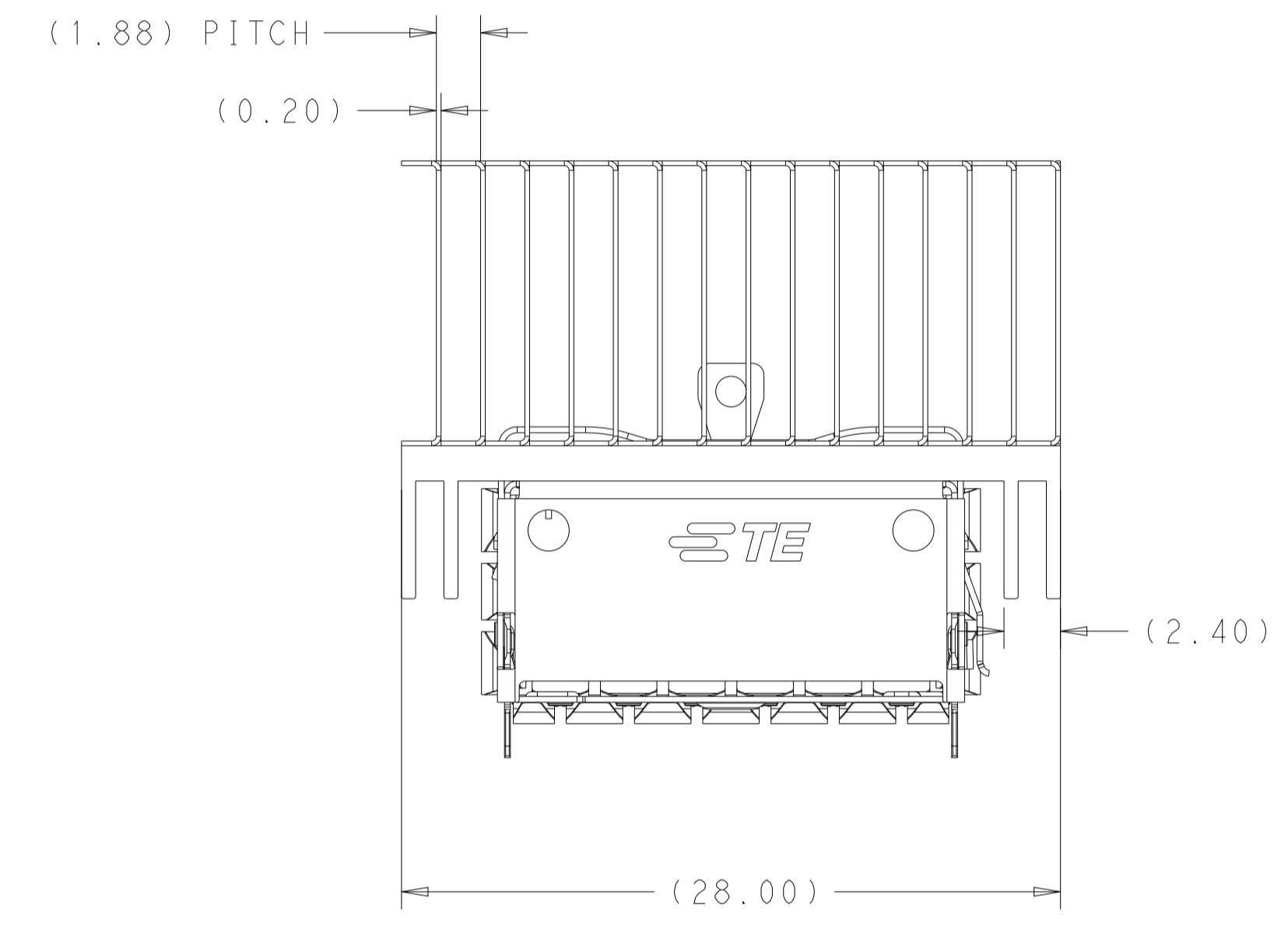
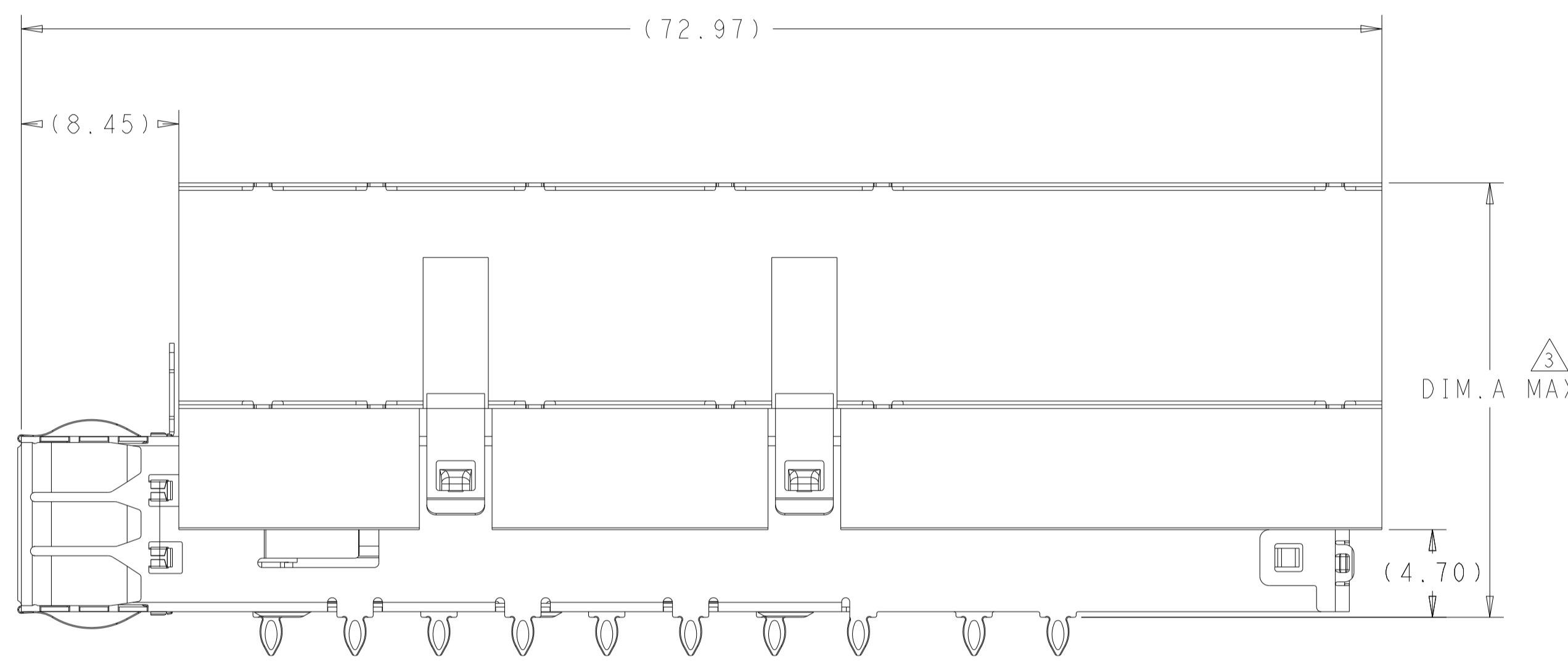
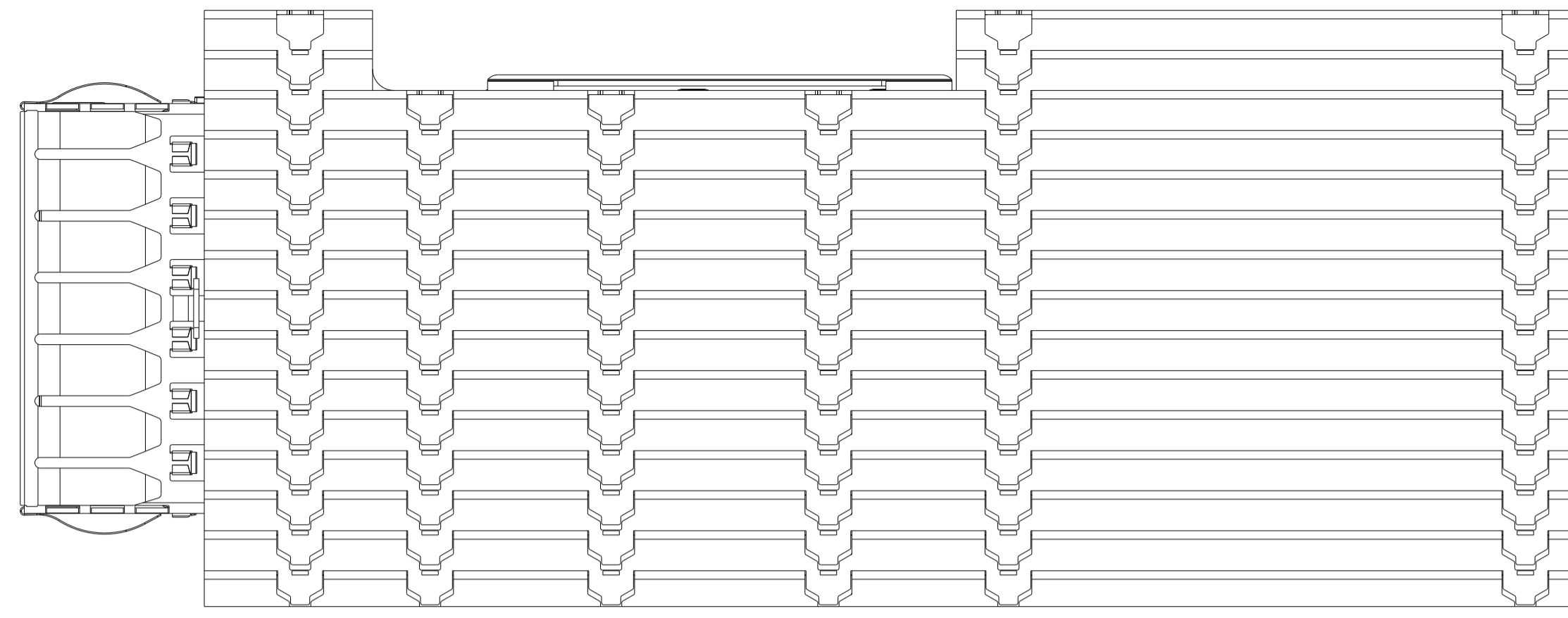
2361706-5 SAME AS 1-3 EXCEPT WITH TWO REAR PINS
SCALE 4:1



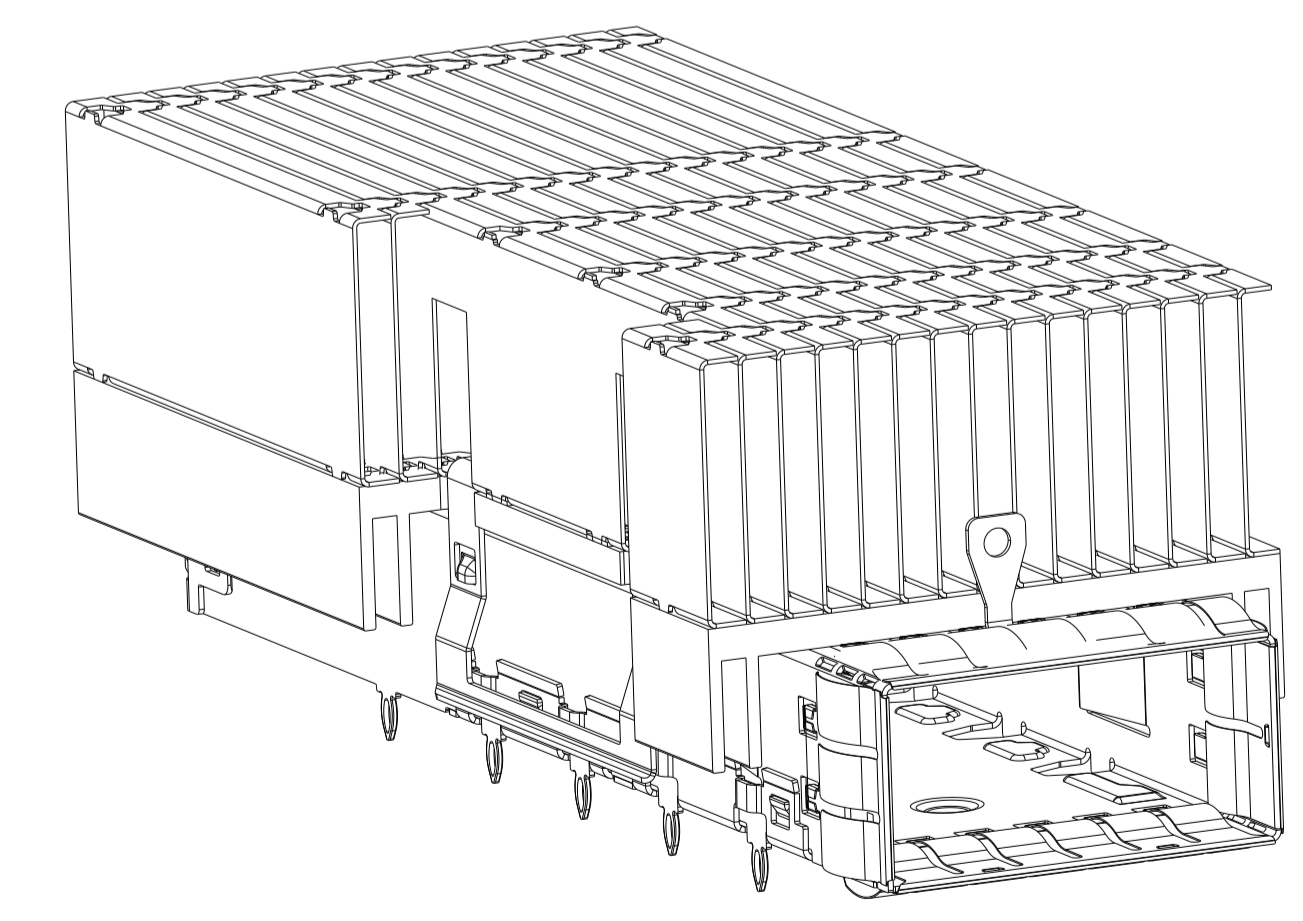
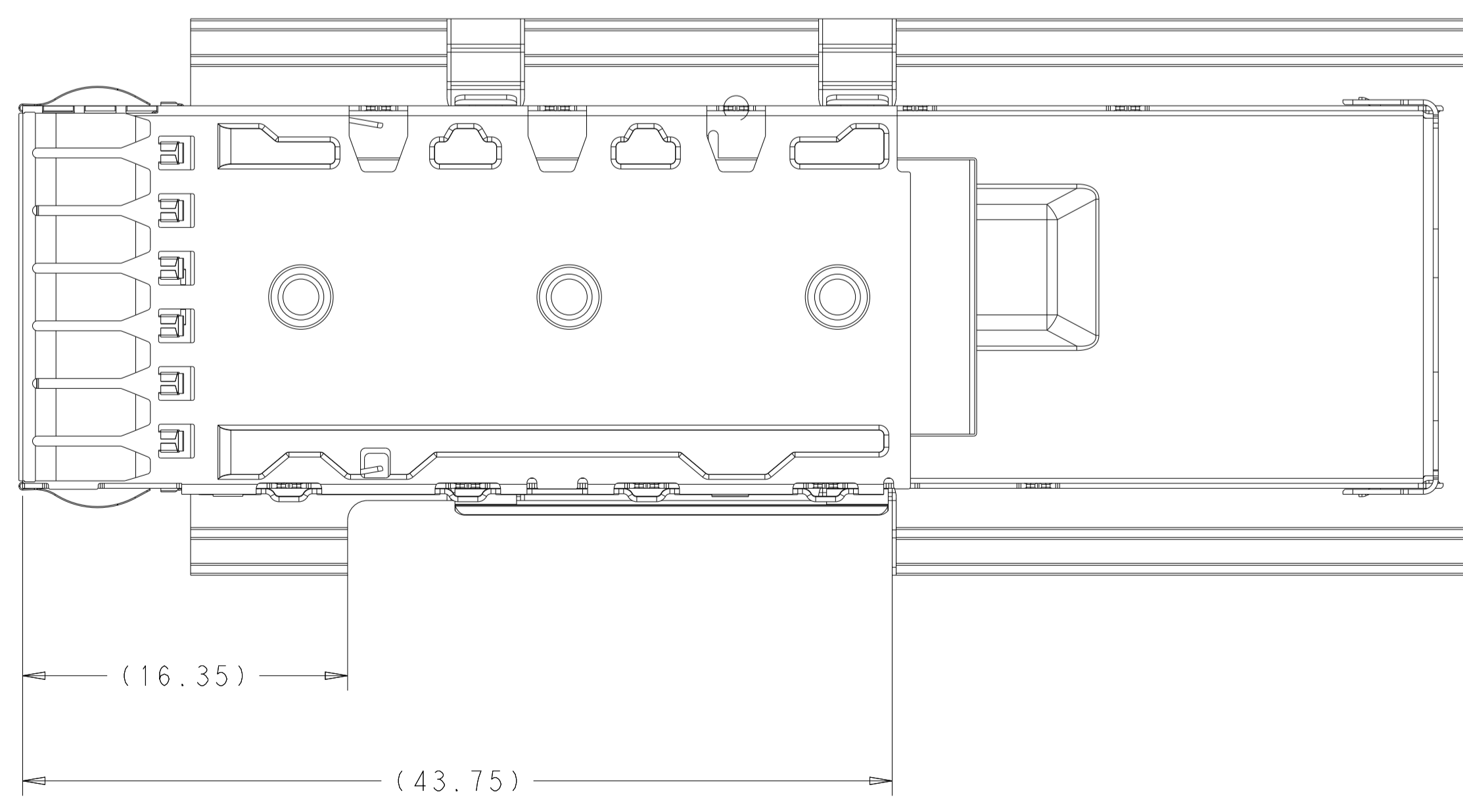
2361706-5 3D VIEW
SCALE 2:1

THIS DRAWING IS A CONTROLLED DOCUMENT.		OWN: ARTHUR JIN 22AUG2019	TE Connectivity	
DIMENSIONS: mm		CHK: SEAN HAN 22AUG2019		
TOLERANCES UNLESS OTHERWISE SPECIFIED:		APVD:	NAME: CAGE ASSEMBLY, QSFP-DD 1X1 WITH WIDE HEAT SINK	
0 PLC ±	1 PLC ±0.25	PRODUCT SPEC	SIZE: A1	
2 PLC ±0.20	3 PLC ±0.10	APPLICATION SPEC	CAGE CODE: -	
4 PLC ±	ANGLES ±	114-60025	DRAWING NO: C=2361706	
MATERIAL:	FINISH:	WEIGHT:	RESTRICTED TO:	
CUSTOMER DRAWING		SCALE: 2:1	SHEET 4 OF 9 REV A7	

LOC		DIST		REVISIONS			
P	LTN	DESCRIPTION	DATE	DMN	APVD		
-	-	SEE SHEET 1	-	-	-		



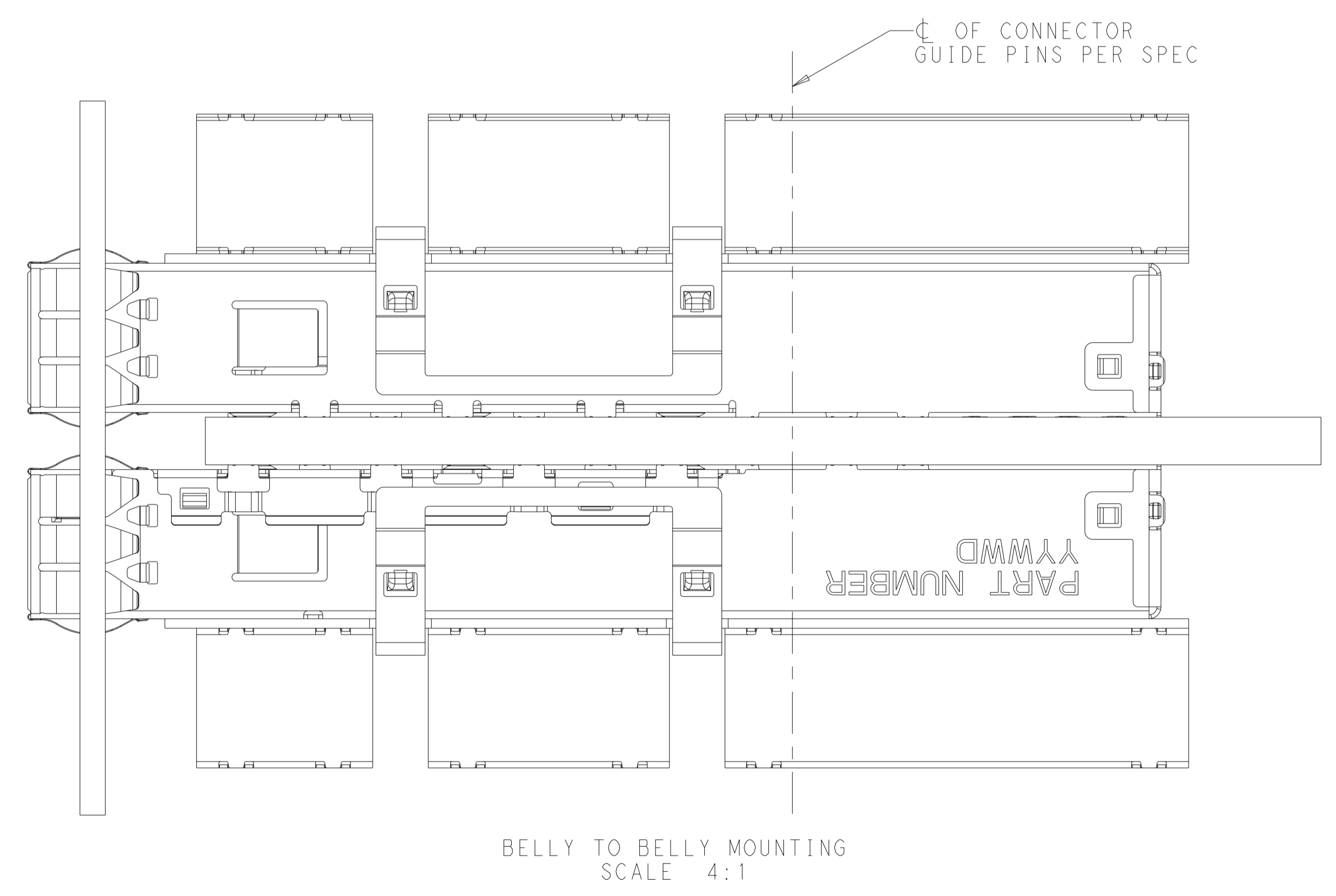
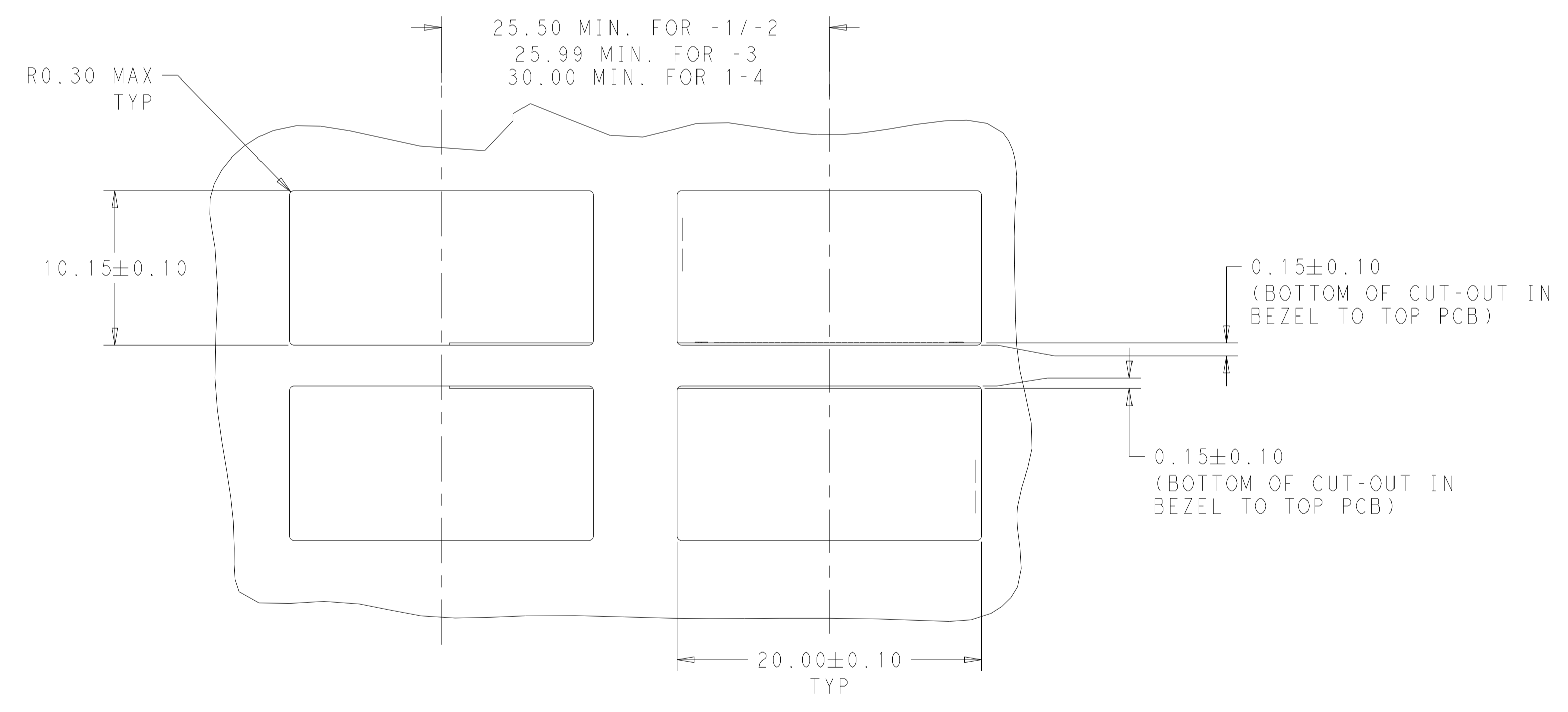
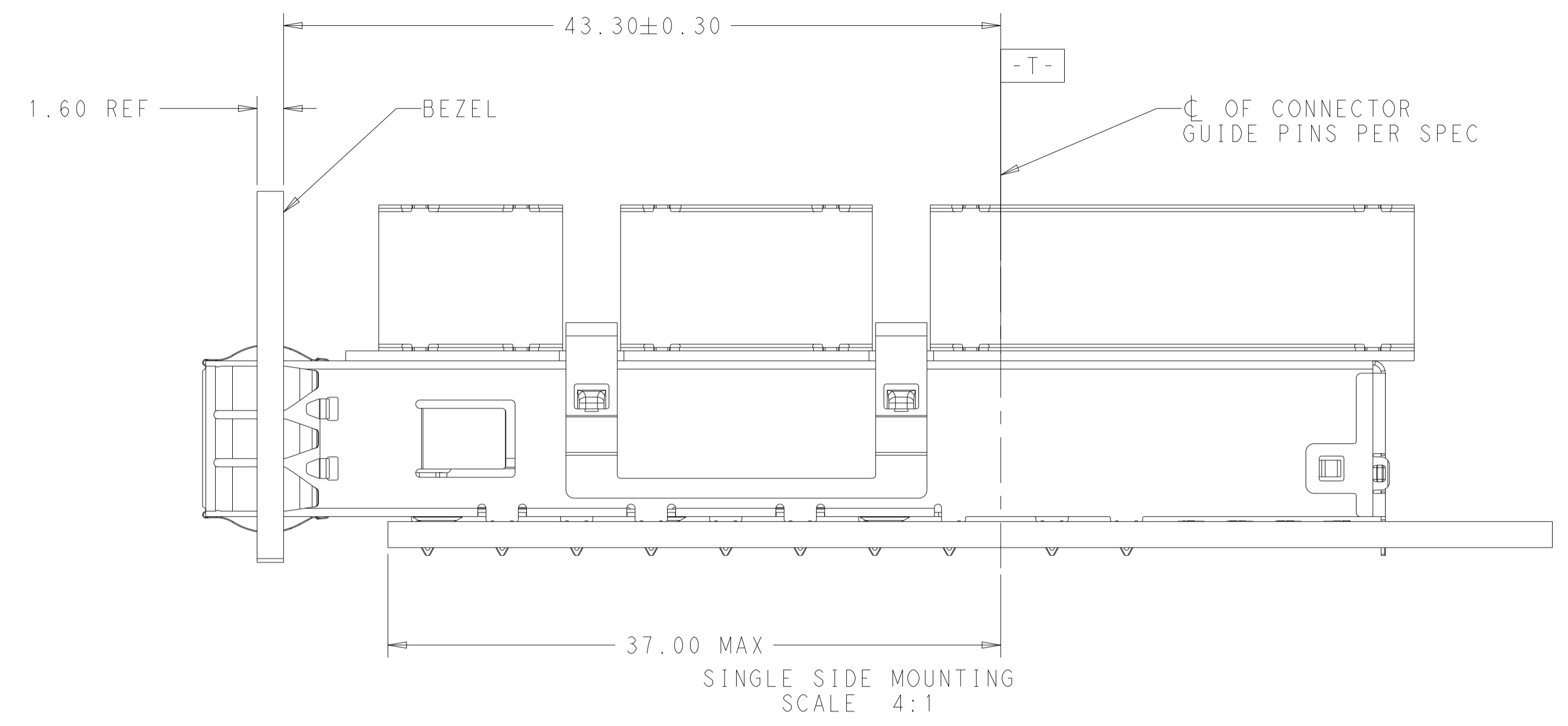
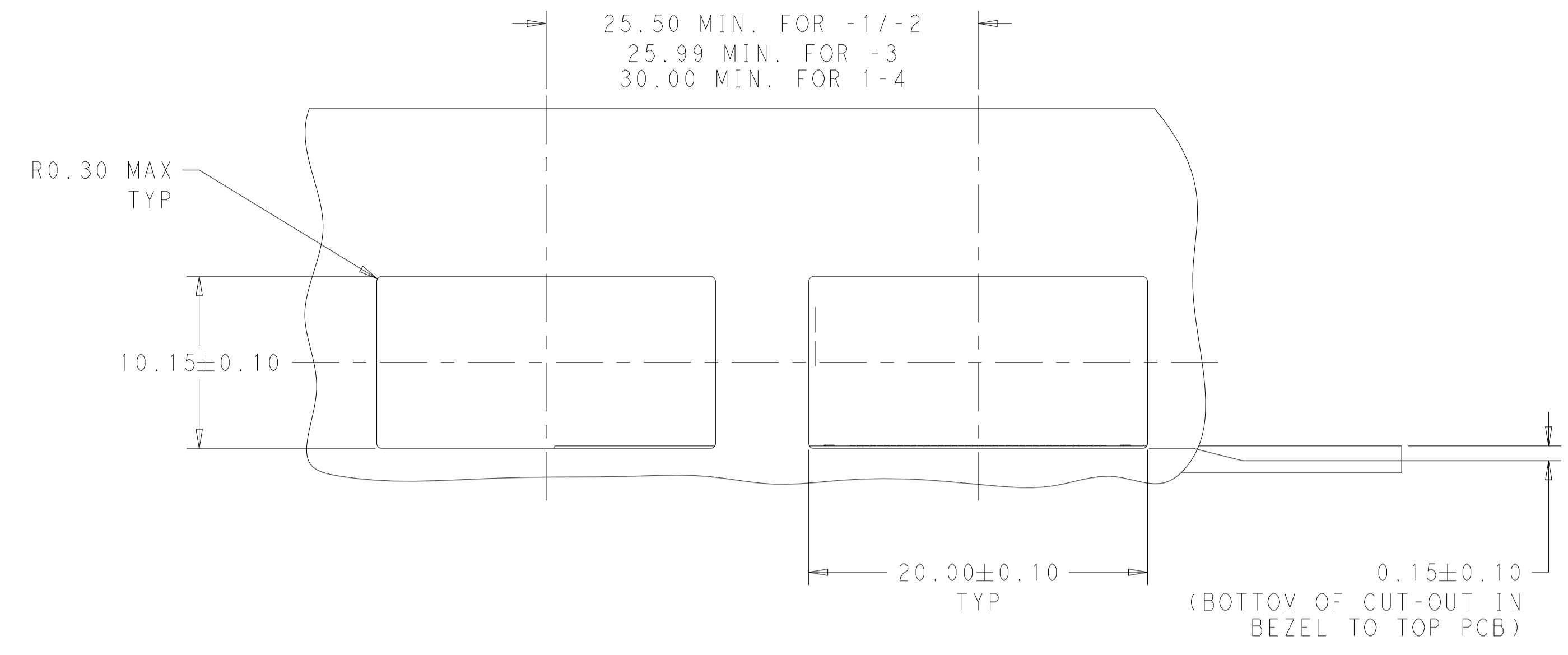
1-2361706-4 AS SHOWN
 SCALE 4:1



SCALE 3:1

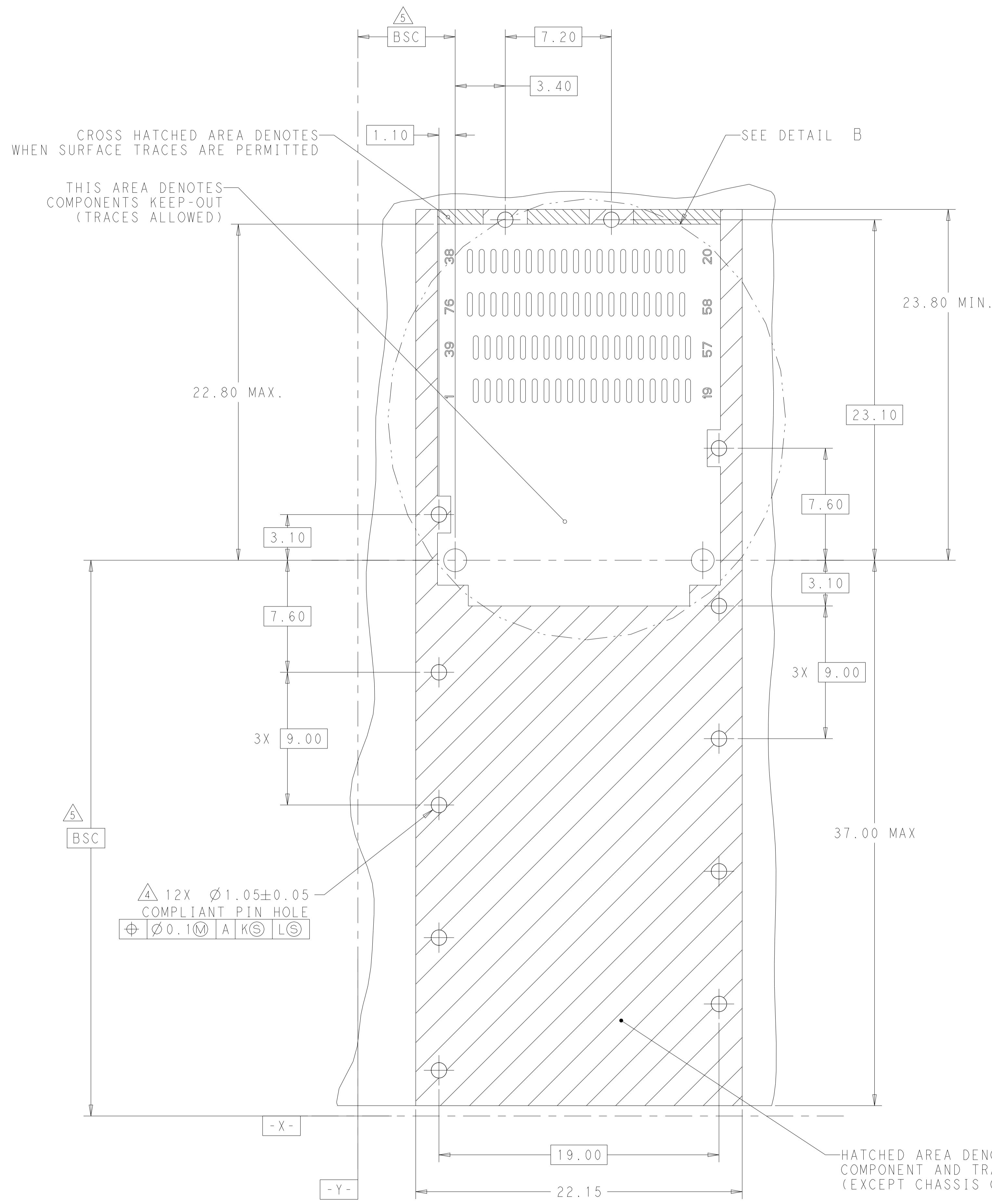
THIS DRAWING IS A CONTROLLED DOCUMENT.		DMN: ARTHUR JIN 22AUG2019	
		CHK: SEAN HAN 22AUG2019	
DIMENSIONS:		NAME: CAGE ASSEMBLY, QSFP-DD 1X1 WITH WIDE HEAT SINK	
TOLERANCES UNLESS OTHERWISE SPECIFIED:		PRODUCT SPEC: 108-60122	
APVD:		APPLICATION SPEC:	
0 PLC ±		SIZE: A1	
1 PLC ±0.25		CAGE CODE: -	
2 PLC ±0.20		DRAWING NO: C=2361706	
3 PLC ±0.10		RESTRICTED TO:	
4 PLC ±		SCALE: 2:1	
ANGLES ±		SHEET: 5 of 9	
FINISH ±		REV: A7	
MATERIAL:		CUSTOMER DRAWING	

LOC		DIST		REVISIONS			
P	LTN	DESCRIPTION	DATE	DMN	APVD		
-	-	SEE SHEET 1	-	-	-		

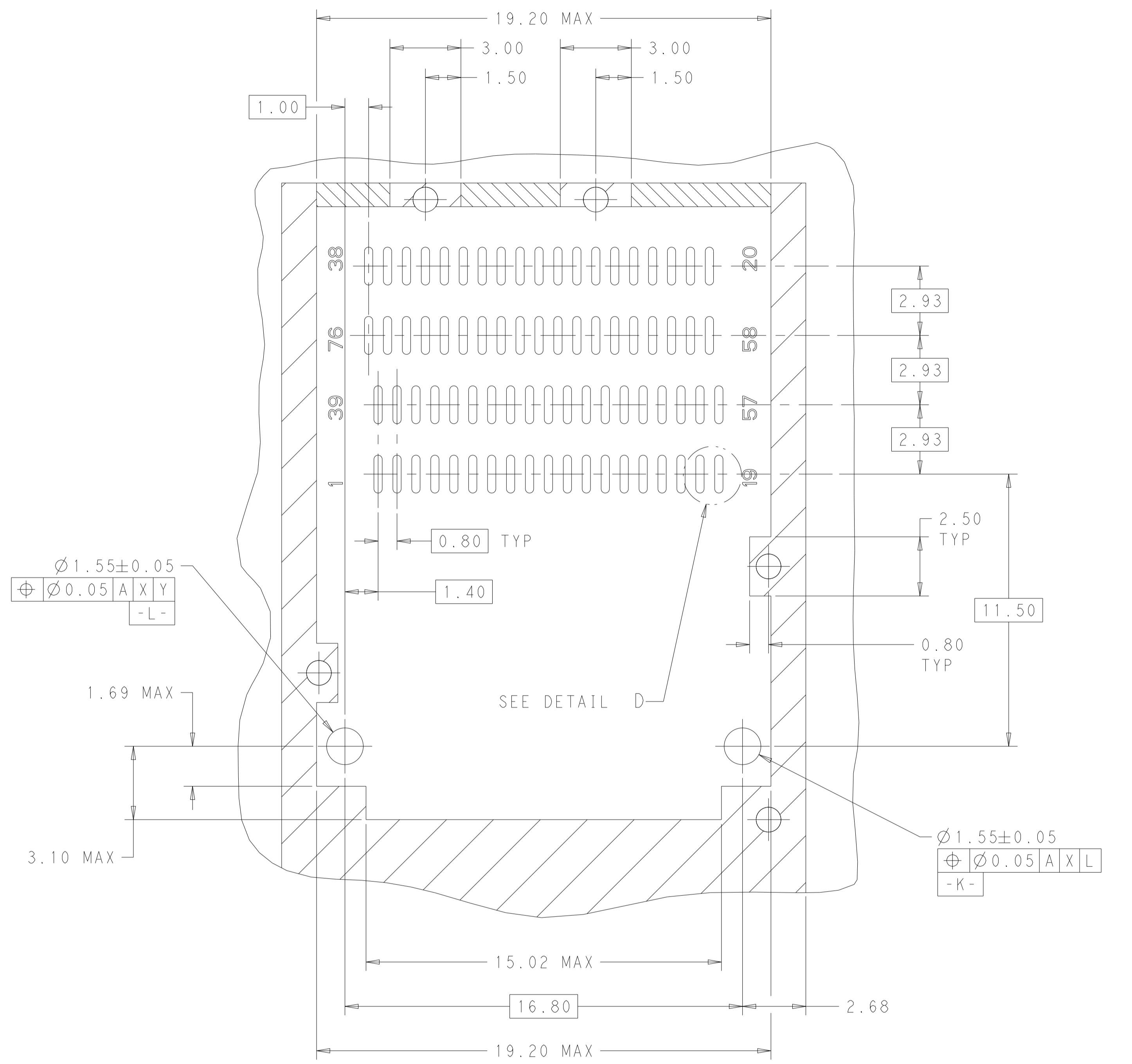


THIS DRAWING IS A CONTROLLED DOCUMENT.		DMN: ARTHUR JIN 22AUG2019	TE Connectivity
DIMENSIONS: mm		CHK: SEAN HAN 22AUG2019	
TOLERANCES UNLESS OTHERWISE SPECIFIED:		APVD:	NAME: CAGE ASSEMBLY, QSFP-DD 1X1 WITH WIDE HEAT SINK
0 PLC	±	PRODUCT SPEC	SIZE: A1
1 PLC	±0.25	108-60122	CAGE CODE: -
2 PLC	±0.20	APPLICATION SPEC	DRAWING NO: C=2361706
3 PLC	±0.10	114-60025	RESTRICTED TO: -
4 PLC	±	WEIGHT: -	SCALE: 2:1
ANGLES	±	CUSTOMER DRAWING	SHEET 6 OF 9
FINISH	±		REV: A7

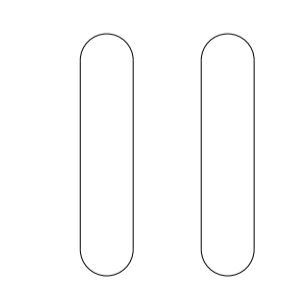
LOC		DIST		REVISIONS				
P	LTN	DATE	DMN	APVD	DESCRIPTION	DATE	DMN	APVD
-	-	-	-	-	SEE SHEET 1	-	-	-



GENERAL PCB LAYOUT
 SINGLE TYPE OF 2 REAR HOLES OF LEGS
 PCB TOLERANCE: ±0.05
 SCALE 6:1



DETAIL B
 SCALE 8:1



DETAIL D
 SCALE 20:1

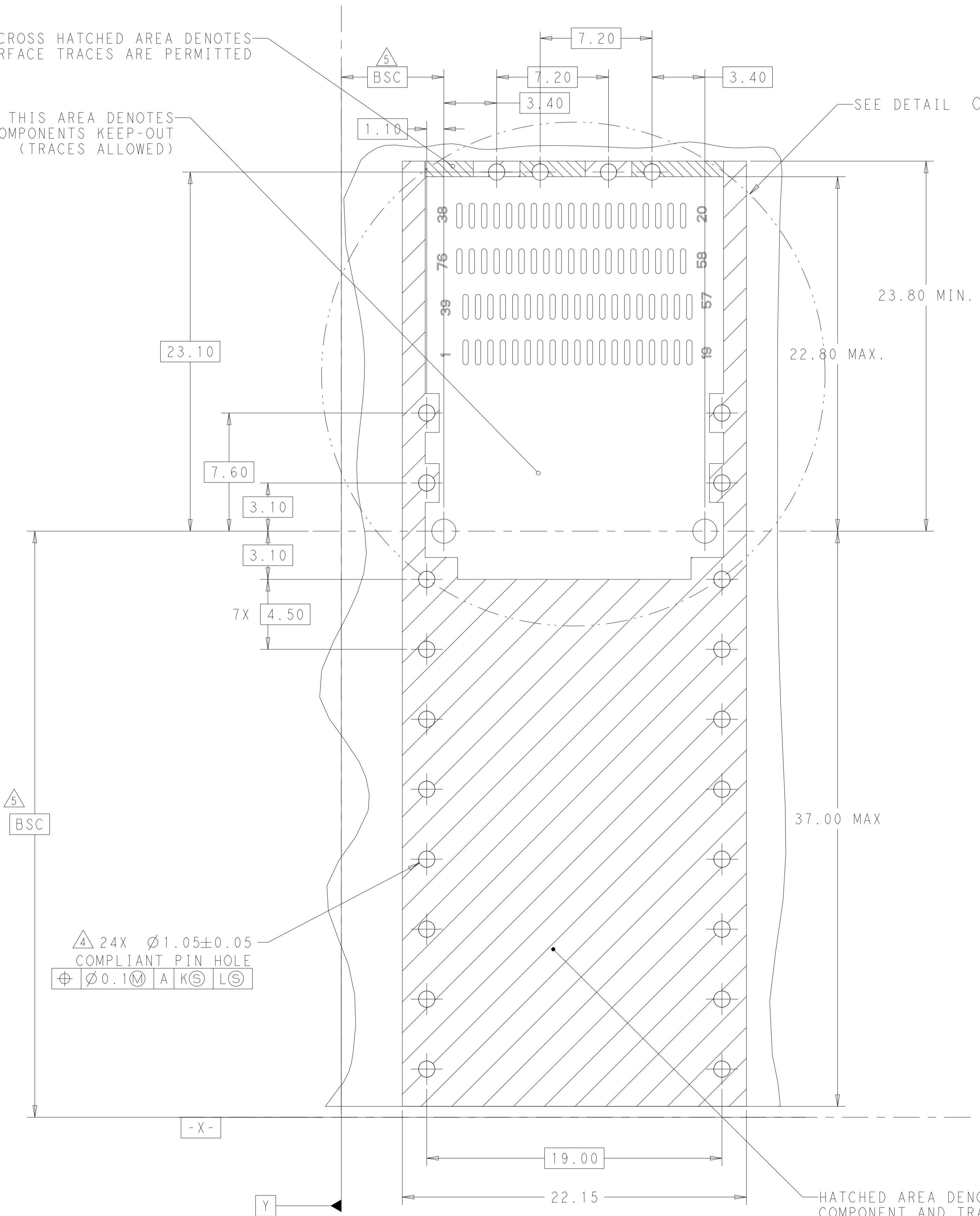
THIS DRAWING IS A CONTROLLED DOCUMENT.		DMN	22AUG2019	TE Connectivity
		CHK	SEAN HAN	
DIMENSIONS:		TOLERANCES UNLESS OTHERWISE SPECIFIED:		NAME
mm	0 PLC ±	1 PLC ±0.25	2 PLC ±0.20	PRODUCT SPEC
	3 PLC ±0.10	4 PLC ±	ANGLES ±	APPLICATION SPEC
MATERIAL	FINISH	WEIGHT	114-60025	SIZE
				A1
CUSTOMER DRAWING		SCALE	2:1	SHEET 7 of 9
		REV	A7	

LOC		DIST		REVISIONS			
P	LTN	DESCRIPTION	DATE	DWN	APVD		
-	-	SEE SHEET 1	-	-	-		

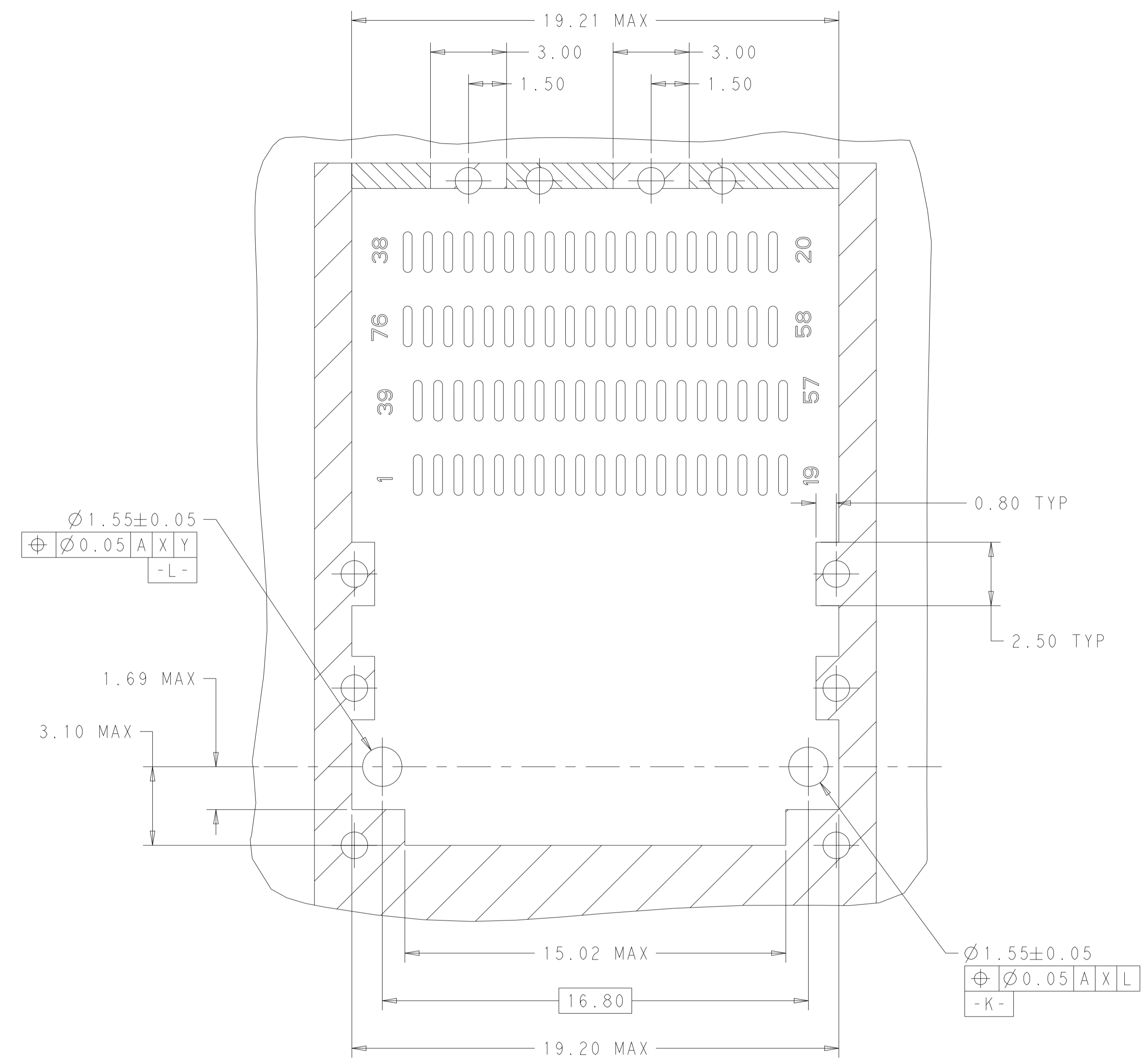
CROSS HATCHED AREA DENOTES WHEN SURFACE TRACES ARE PERMITTED

THIS AREA DENOTES COMPONENTS KEEP-OUT (TRACES ALLOWED)

SEE DETAIL C



GENERAL PCB LAYOUT
BELLY TO BELLY TYPE OF 2 REAR HOLES OF LEGS
PCB TOLERANCE: ±0.05
SCALE 6:1



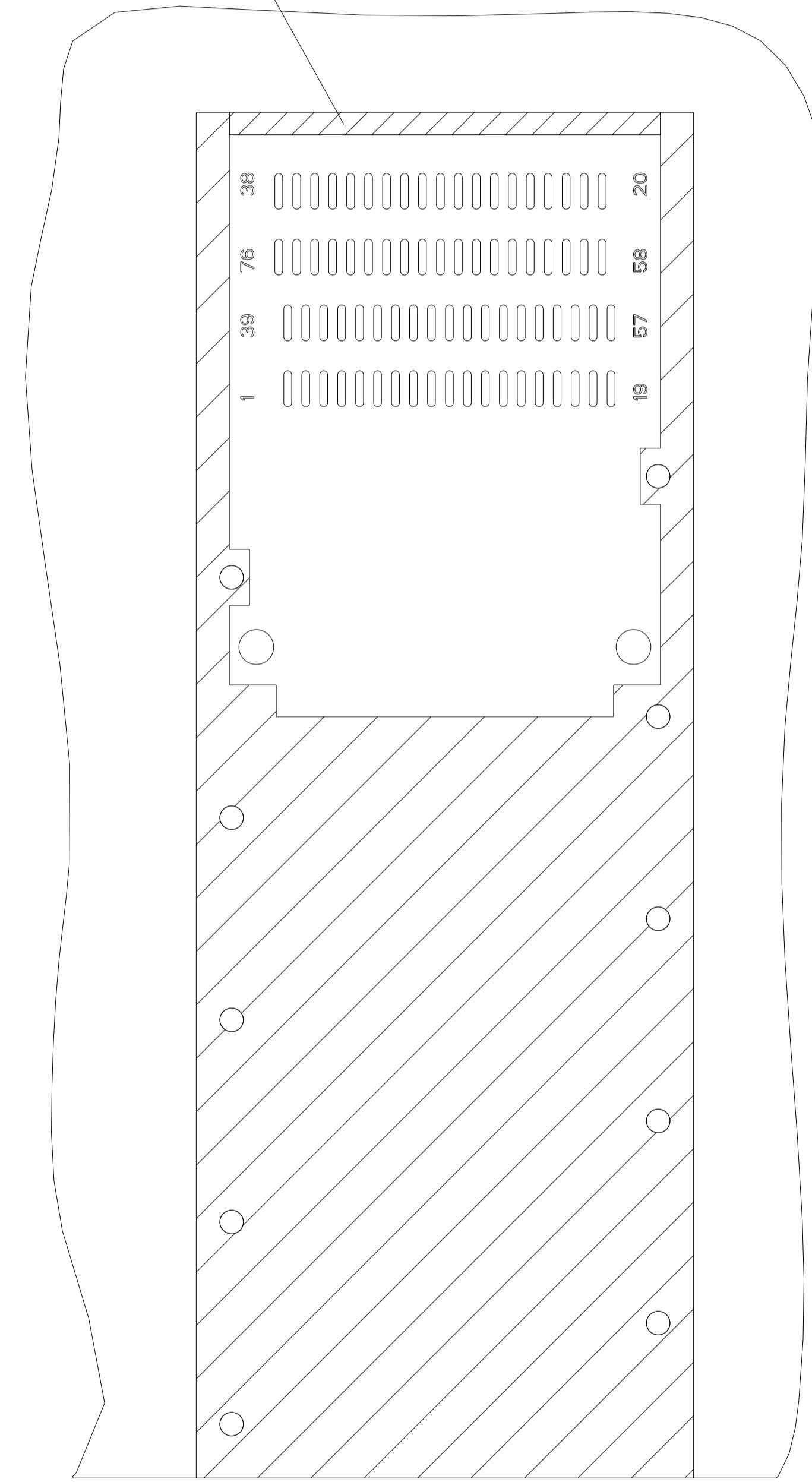
DETAIL C
SCALE 8:1

THIS DRAWING IS A CONTROLLED DOCUMENT.		DWN: ARTHUR JIN 22AUG2019	TE Connectivity
DIMENSIONS: mm		CHK: SEAN HAN 22AUG2019	
TOLERANCES UNLESS OTHERWISE SPECIFIED:		APVD:	NAME: CAGE ASSEMBLY, QSFP-DD 1X1 WITH WIDE HEAT SINK
0 PLC ±	1 PLC ±0.25	PRODUCT SPEC: 108-60122	SIZE: A1
2 PLC ±0.20	3 PLC ±0.10	APPLICATION SPEC: 114-60025	CAGE CODE: -
4 PLC ±	ANGLES ±	WEIGHT: -	DRAWING NO: C=2361706
MATERIAL: -	FINISH: -	CUSTOMER DRAWING	RESTRICTED TO: -
SCALE: 2:1			SHEET: 8 of 9
REV: A7			

LOC		DIST		REVISIONS			
P	LTN	DESCRIPTION	DATE	DWN	APVD		
-	-	SEE SHEET 1	-	-	-		

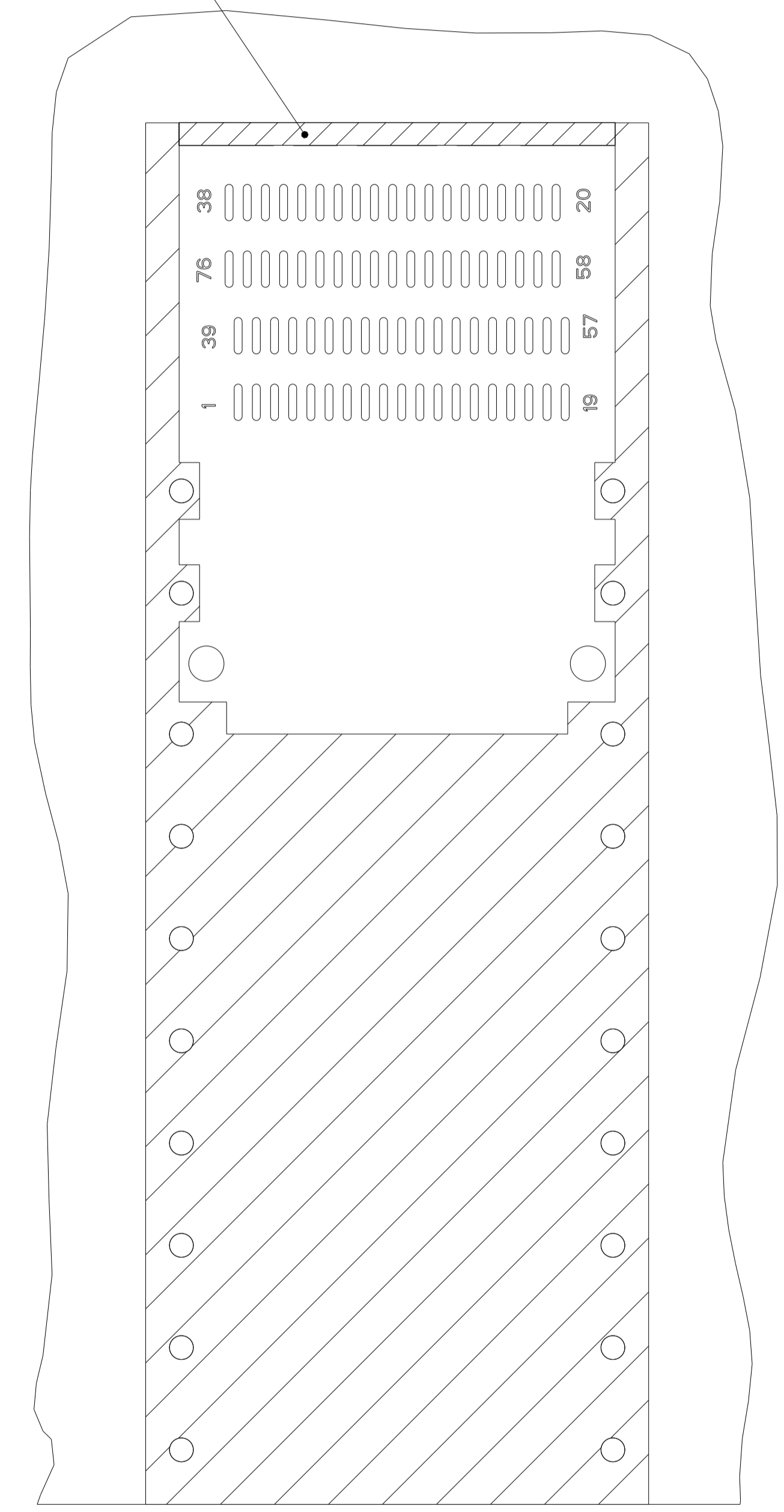
ONLY FOR 1-2361706-1/1-2/1-3/1-4

CROSS HATCHED AREA DENOTES WHEN SURFACE TRACES ARE PERMITTED


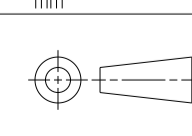


PCB LAYOUT
 SINGLE TYPE OF 0 REAR HOLES OF LEGS
 UNSPECIFIED DIMENSIONS SAME AS GENERAL
 PCB TOLERANCE: ±0.05
 SCALE 5:1

CROSS HATCHED AREA DENOTES WHEN SURFACE TRACES ARE PERMITTED



PCB LAYOUT
 BELLY TO BELLY TYPE OF 0 REAR HOLES OF LEGS
 UNSPECIFIED DIMENSIONS SAME AS GENERAL
 PCB TOLERANCE: ±0.05
 SCALE 5:1

THIS DRAWING IS A CONTROLLED DOCUMENT.		DWN	22AUG2019	 TE Connectivity
		CHK	22AUG2019	
DIMENSIONS:		TOLERANCES UNLESS OTHERWISE SPECIFIED:		NAME
mm	0 PLC ±	APVD		CAGE ASSEMBLY, QSPF-DD 1X1 WITH WIDE HEAT SINK
	1 PLC ±0.25	PRODUCT SPEC		108-60122
	2 PLC ±0.20	APPLICATION SPEC		114-60025
	3 PLC ±0.10	MATERIAL		A1
	4 PLC ±	WEIGHT		C=2361706
	ANGLES ±	FINISH		SCALE 2:1 SHEET 9 of 9 REV A7
MATERIAL		CUSTOMER DRAWING		

X-ON Electronics

Largest Supplier of Electrical and Electronic Components

Click to view similar products for [D-Sub Backshells](#) category:

Click to view products by [TE Connectivity](#) manufacturer:

Other Similar products are found below :

[600X54009X](#) [600X56025X](#) [M85049/48-1-2](#) [M85049/6-38N](#) [M85049/86-12N03](#) [70.350.0636.4](#) [72.350.1035.2](#) [73.359.4035.3](#) [747534-2](#)
[829472-1](#) [PCS-E20W](#) [970-015-040R011](#) [971-009-040R011](#) [DD-C4-J13-S1](#) [DPH-B-003](#) [165X02659X](#) [165X10899X](#) [165X11689X](#)
[165X13169X](#) [L171373](#) [971-037-040R011](#) [300X11139X](#) [165X00809X](#) [165X11629XE](#) [165X17189X](#) [165X17449X](#) [300X10179X](#) [500-](#)
[047M37H](#) [500T010J21H08](#) [557-083B1](#) [557B316M535TB8](#) [557E316M536TB6](#) [557S283NF1A05](#) [557T071NF131SB](#) [557T113M232B](#)
[400FS001M2410F2](#) [DA-C8-J10-F1-1R](#) [DB-C2-J9R](#) [DB-C8-J10-F5-1R](#) [419-2080-502](#) [DC-C8-J13-B1-1R](#) [DMHE001](#) [500-016NF09EN](#) [500-](#)
[017M51FN](#) [500T010M15E08](#) [500T010M15H06](#) [500T010NF15B08](#) [500T010NF15H08](#) [500T012M21E](#) [507-146M31EC](#)