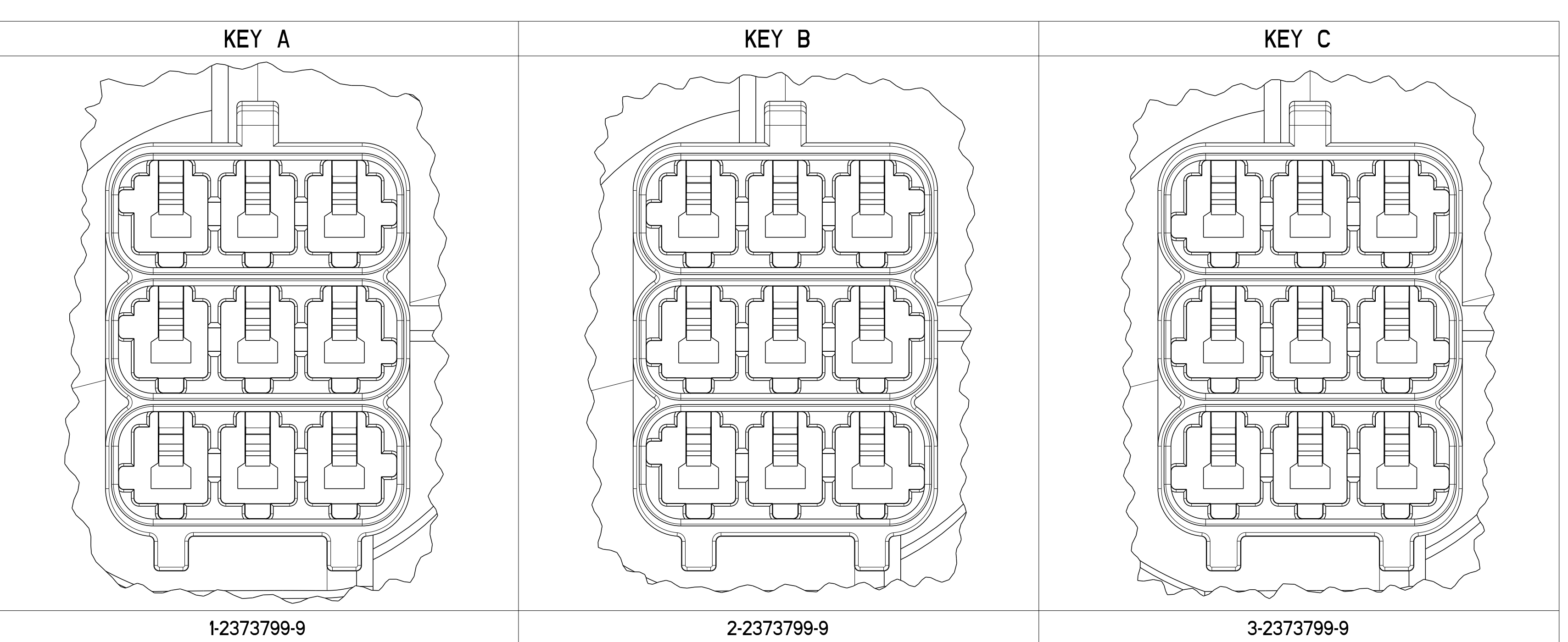
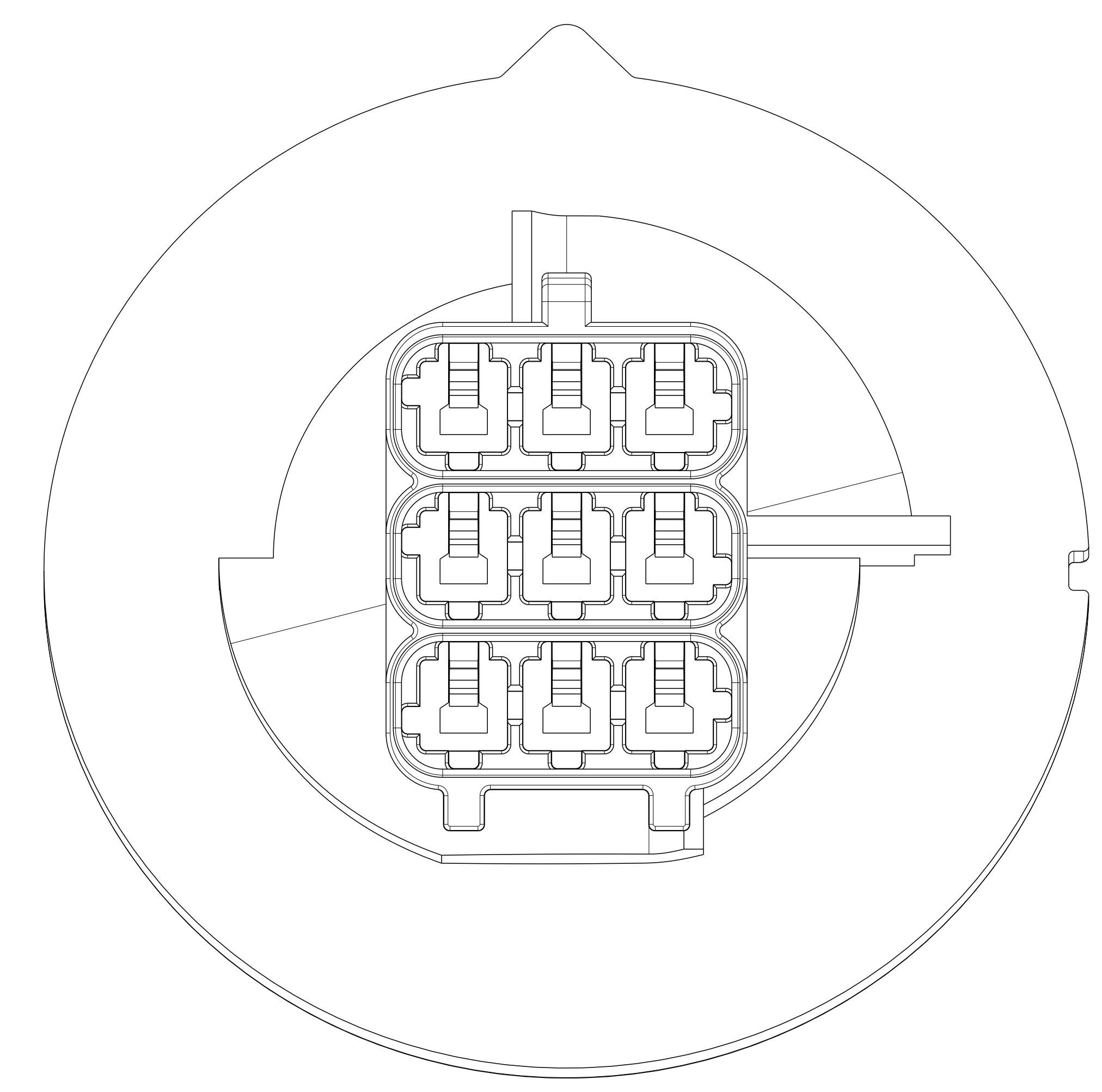
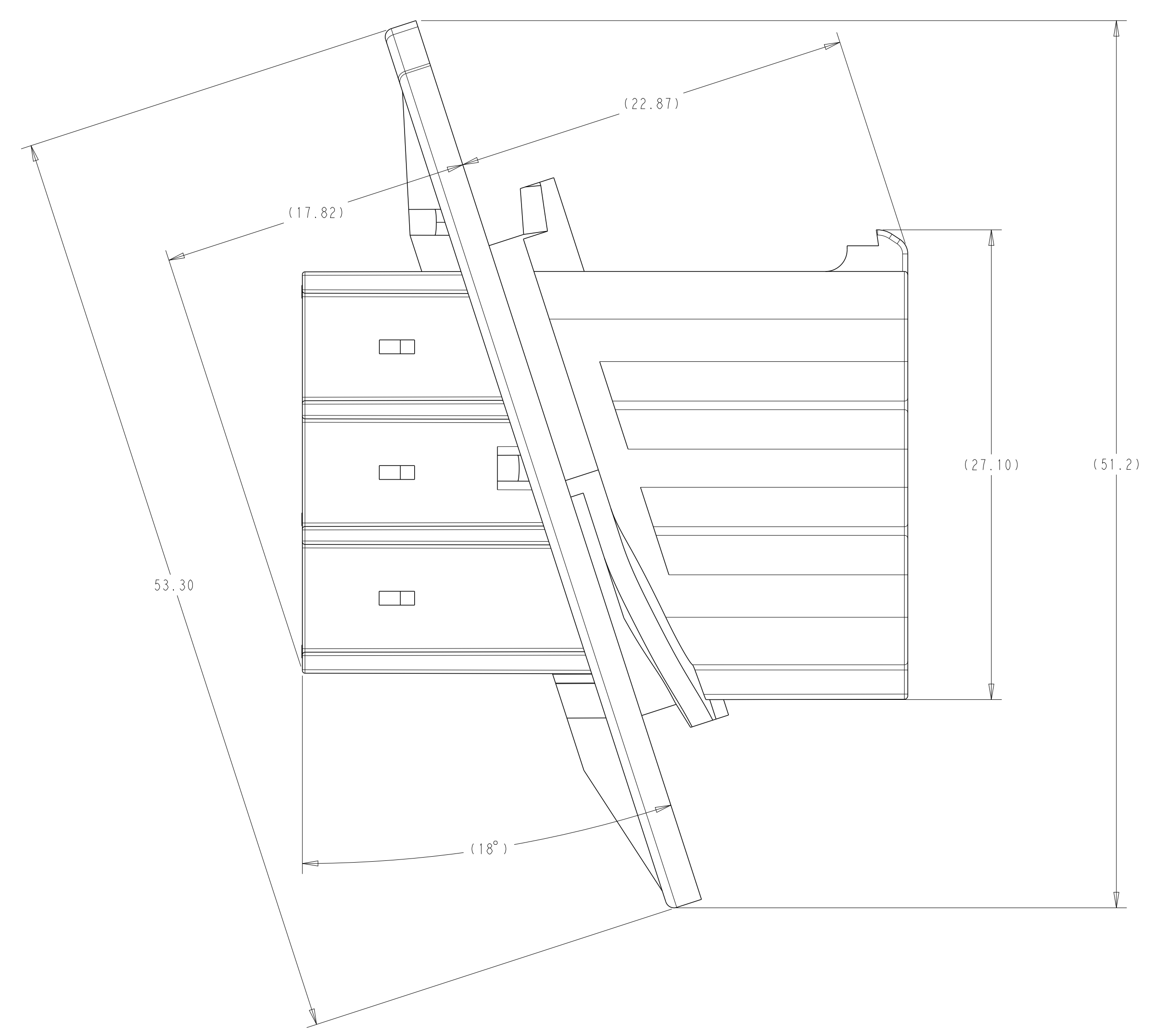
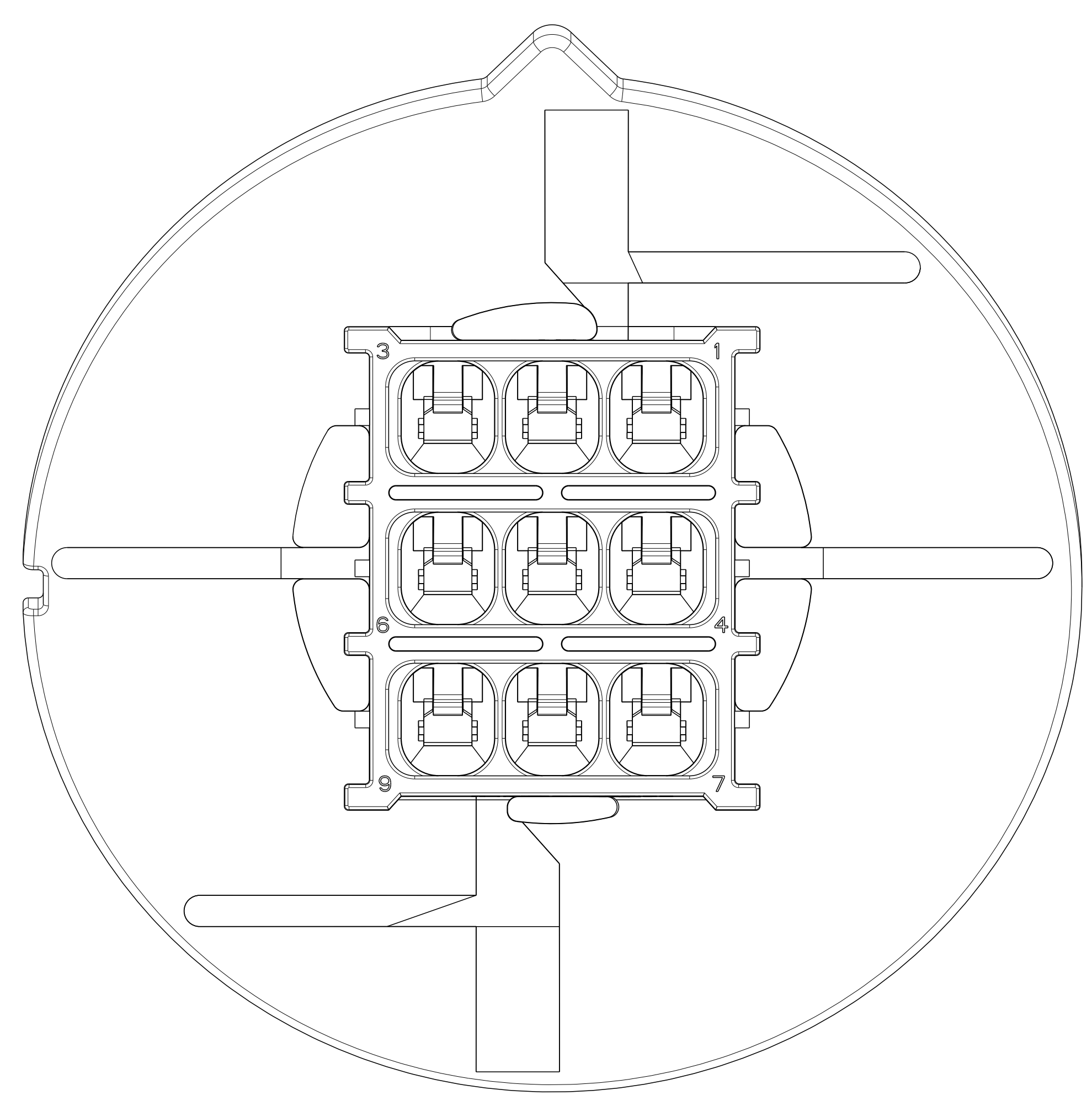


REVISIONS				
REV	DATE	DESCRIPTION	BY	APPD
A1	04JUL2023	REVISED PER ECR-23-177499	MV	DS

MATING CONNECTOR PART NUMBERS			
ITEM	DESCRIPTION	PART NUMBER	REV
1	PLUG HOUSING	X-2370527-X	
2	TERMINAL POSITION ASSURANCE (TPA)	2329016-3	
3	FAMILY/GANG SEAL	2325349-3	
4	BACK COVER	1-2325349-3	
		2334614-3	

ITEM	APPLICABLE TERMINAL PN
1	2329906-1
2	2329907-1
3	2329908-1
4	2329909-1
5	2329910-1
6	2329911-1

- △ MATERIAL: PA66 - GLASS FILLED
- △ MATERIAL MARK: PA66-GF
- △ RECOMMENDED PANEL THICKNESS: 0.76-2.29
- △ PANEL MUST BE PUNCHED SO THAT THE HOUSING ENTERS THE PANEL IN THE SAME DIRECTION AS THE PUNCH
- △ ROTATE CONNECTOR IN CLOCK WISE DIRECTION MUST NOT OVER TWIST/ROTATE



NATURAL	C	3 * 3	3-2373799-9
YELLOW	B	3 * 3	2-2373799-9
BLUE	A	3 * 3	1-2373799-9
COLOR	KEY	POSITION	PART NO

THIS DRAWING IS A CONTROLLED DOCUMENT. DAY: V. SHEITAR, 12FEB2021

DESIGNED BY: V. SHEITAR, 12FEB2021

CHECKED BY: D. SWARTZ, 12FEB2021

APPROVED BY: V. SHEITAR, 12FEB2021

DATE: 12FEB2021

PRODUCT SPEC: 108-143081

APPLICATION SPEC: 114-143082

WEIGHT: -

FINISH: NA

CUSTOMER DRAWING

SCALE: 5:1

SHEET: 1 of 2

REV: A1

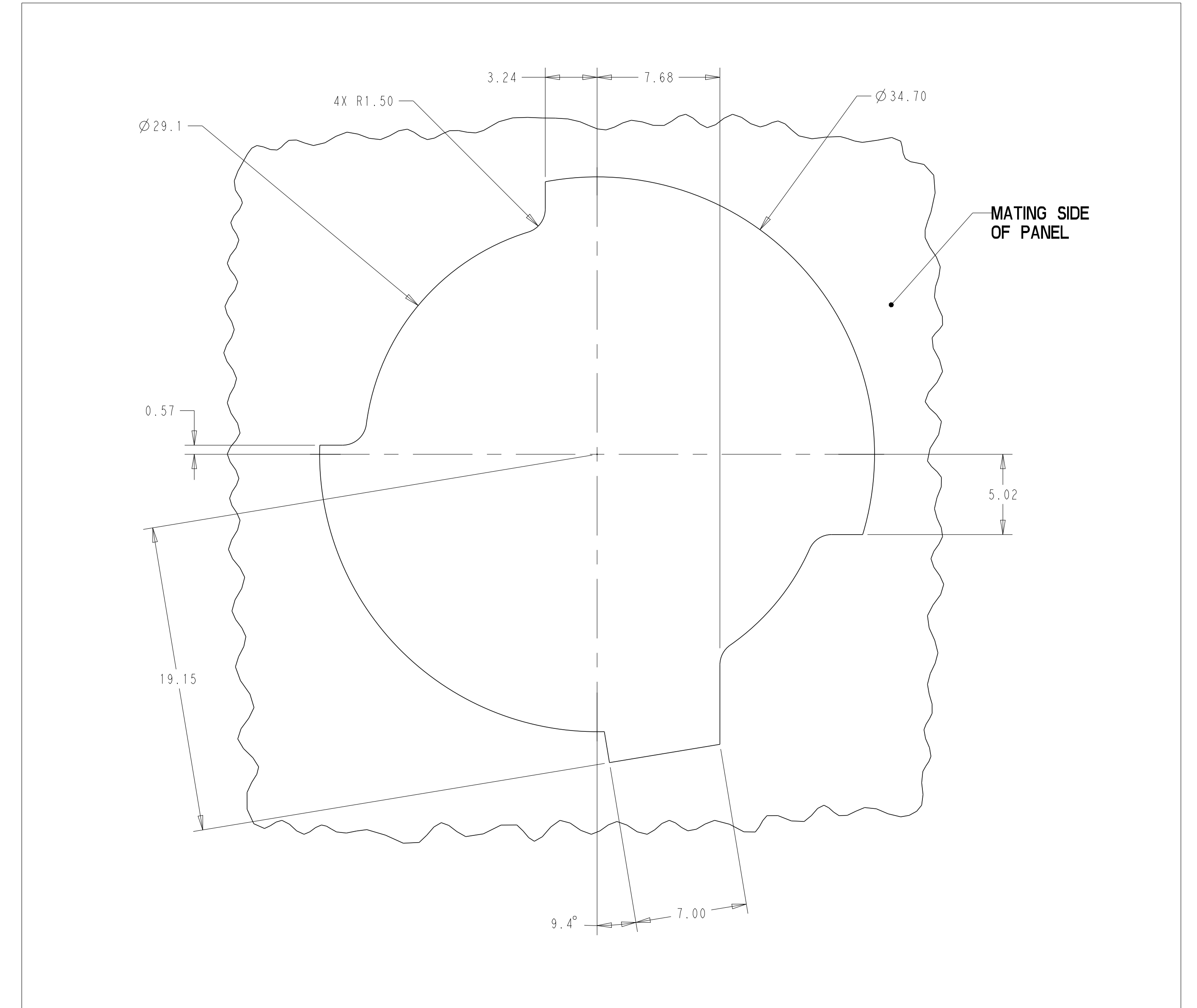
3x3 POWER VERSA LOCK, CAP HOUSING ANGLED TWIST N LOCK

TE Connectivity

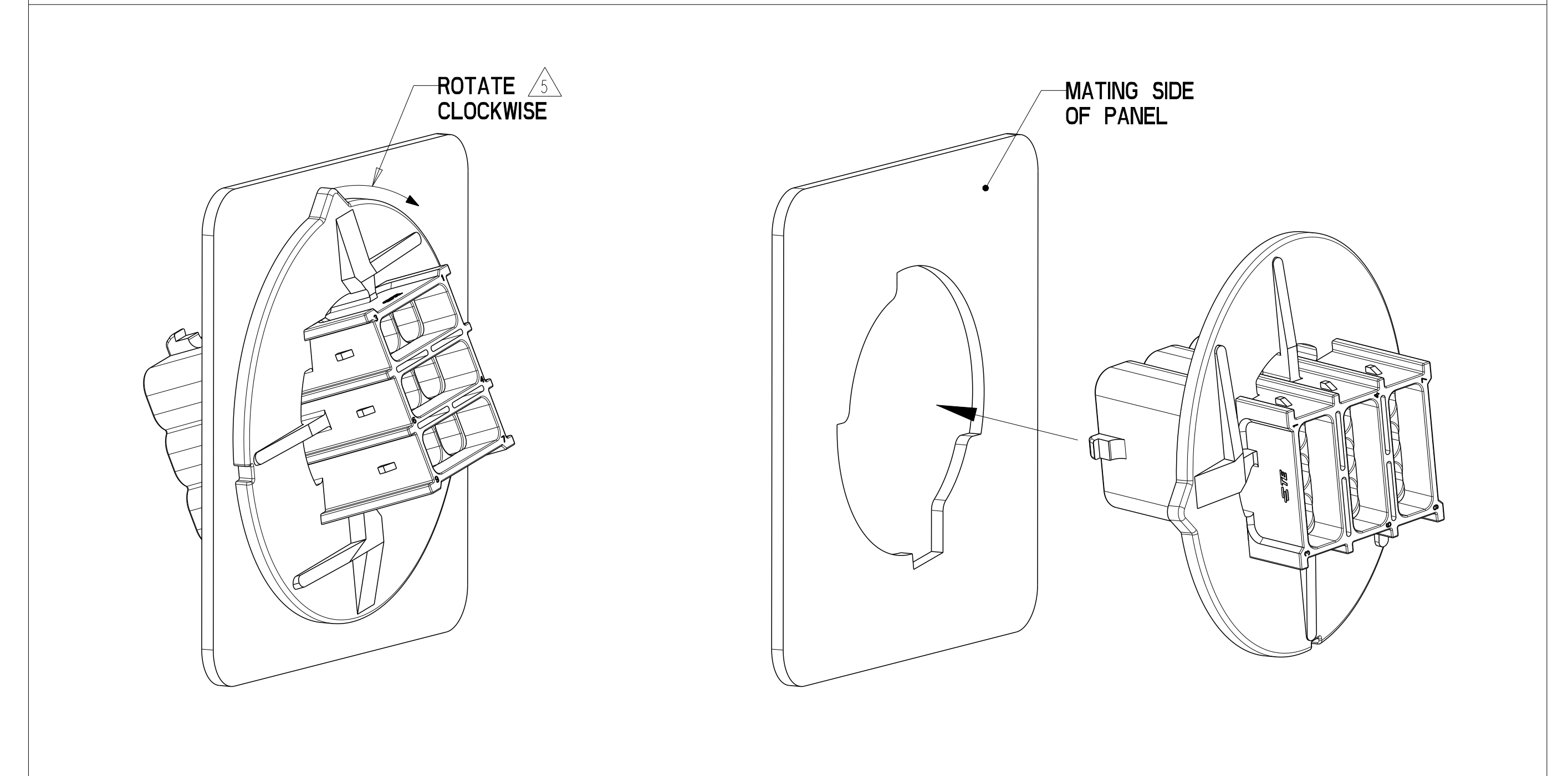
REVISIONS			
P	LV	DESCRIPTION	DATE
-	-	SEE SHEET 1	-

RECOMMENDED PANEL CUT-OUT AND ANGLE (SCALE 2:1)

<p>MATING SIDE OF PANEL</p>	<p>MATING SIDE OF PANEL</p>	<p>MATING SIDE OF PANEL</p>
<p>RECOMMENDED ANGLE FOR 0.76mm PANEL THICKNESS</p>	<p>RECOMMENDED ANGLE FOR 0.86mm PANEL THICKNESS</p>	<p>RECOMMENDED ANGLE FOR 102mm PANEL THICKNESS</p>
<p>MATING SIDE OF PANEL</p>	<p>MATING SIDE OF PANEL</p>	<p>MATING SIDE OF PANEL</p>
<p>RECOMMENDED ANGLE FOR 127mm PANEL THICKNESS</p>	<p>RECOMMENDED ANGLE FOR 147mm PANEL THICKNESS</p>	<p>RECOMMENDED ANGLE FOR 185mm PANEL THICKNESS</p>
<p>MATING SIDE OF PANEL</p>	<p>MATING SIDE OF PANEL</p>	
<p>RECOMMENDED ANGLE FOR 203mm PANEL THICKNESS</p>	<p>RECOMMENDED ANGLE FOR 229mm PANEL THICKNESS</p>	



RECOMMENDED PANEL CUT-OUT  
(RECOMMENDED CUTOUT DIMENSION TOLERANCES ±0.15)  
0.76mm PANEL THICKNESS CUTOUT SHOWN ABOVE



ASSEMBLY PROCEDURE  
(0.76mm THICKNESS PANEL CUTOUT SHOWN ABOVE)

THIS DRAWING IS A CONTROLLED DOCUMENT.		DAY: 12 FEB 2021	BY: V. SHEITAN	TE Connectivity
DIMENSIONS: UNLESS OTHERWISE SPECIFIED:		CHK: D. SWARTZ	APPRO: V. SHEITAN	NAME: 3x3 POWER VERSA LOCK, CAP HOUSING ANGLED TWIST N LOCK
QTY: 0 P/LC	1"	APPRO: V. SHEITAN	PRODUCT SPEC: 108-143081	SITE: 00779
1 P/LC	0.50"	APPRO: V. SHEITAN	APPLICATION SPEC: 114-143082	RESTRICTED TO: -
2 P/LC	0.25"	APPRO: V. SHEITAN	FINISH: NA	SCALE: 5:1
3 P/LC	0.125"	APPRO: V. SHEITAN	WEIGHT: -	SHEET: 2 OF 2
4 P/LC	0.0625"	APPRO: V. SHEITAN	CUSTOMER DRAWING	REV: A1

## X-ON Electronics

Largest Supplier of Electrical and Electronic Components

*Click to view similar products for [Heavy Duty Power Connectors](#) category:*

*Click to view products by [TE Connectivity](#) manufacturer:*

Other Similar products are found below :

[6646058-2](#) [6646137-1](#) [6646138-1](#) [6646940-1](#) [6651091-1](#) [6651525-1](#) [6651529-1](#) [696475-1](#) [702-32-01109](#) [73080255059](#) [73080965046](#)  
[7310205040001](#) [765-16-0080B](#) [765-18-0080D](#) [902-77-02113](#) [PS00/A0620/6300](#) [AN0024023](#) [154-42B7WM250](#) [MS3117-14AC](#) [1643543-1](#)  
[1766966-1](#) [1791340000](#) [NLDFT-3-BL-L-S120-M40A](#) [NLDFT-N-W-L-C240-M40B](#) [1926015-1](#) [NLS-3-BL-C240-M40B](#) [NLS-N-W-C240-](#)  
[M40B](#) [NPS-3-BL-T6](#) [2-1589900-8](#) [9300480317](#) [294-0091-01100](#) [296-0040-01100](#) [1-6609148-0](#) [A32595-0049](#) [1766249-1](#) [19000005132](#)  
[1926016-1](#) [1-966831-8](#) [AN0024202](#) [AN0264023](#) [279-0841-10100A](#) [281-0334-00100A](#) [RMSB4](#) [419-2083-301](#) [LCDX4/0-14B-X](#) [075-8519-](#)  
[001](#) [078238-1613](#) [07.470.3256.0](#) [09000005288](#) [09140240311](#)