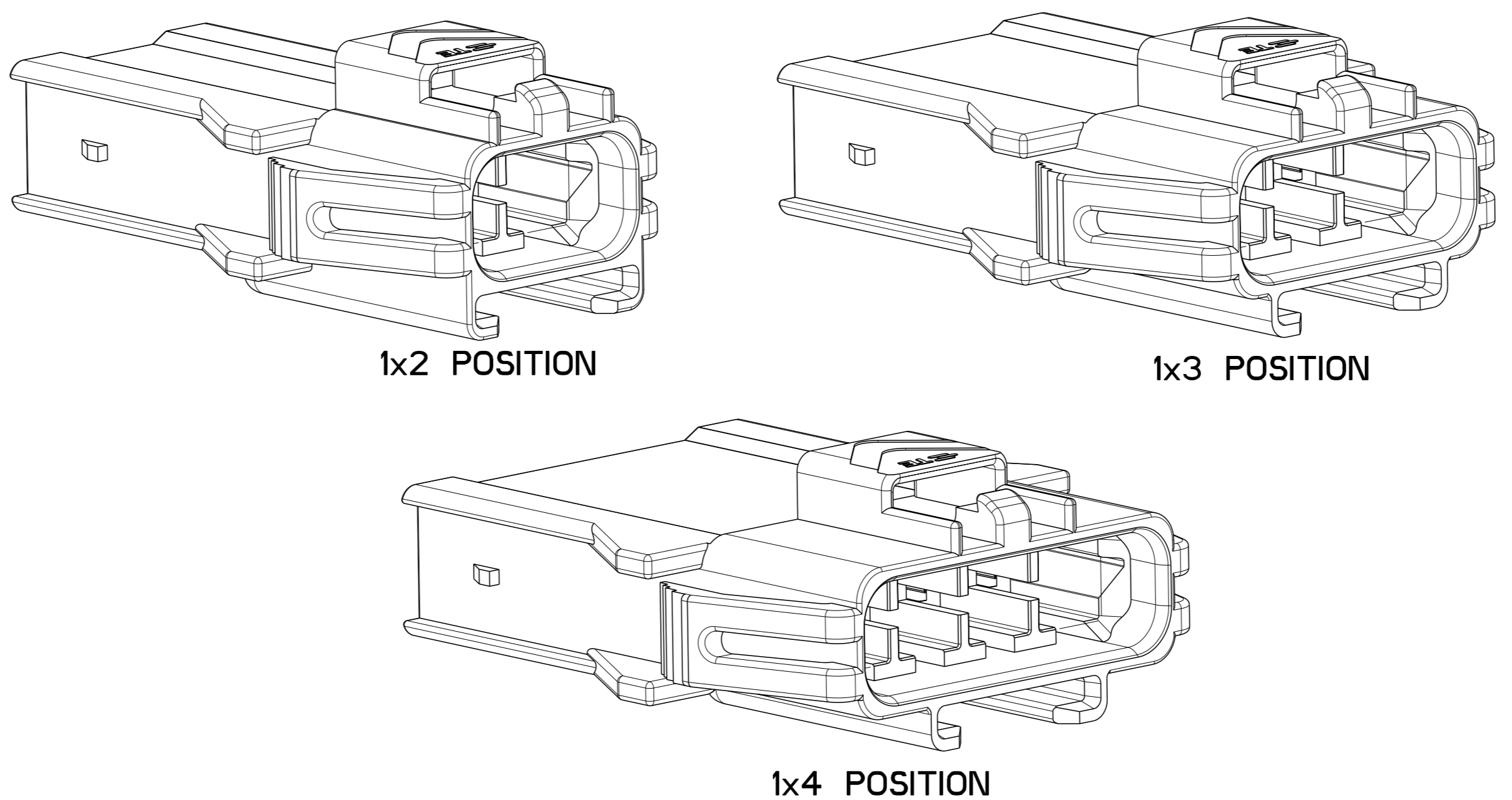
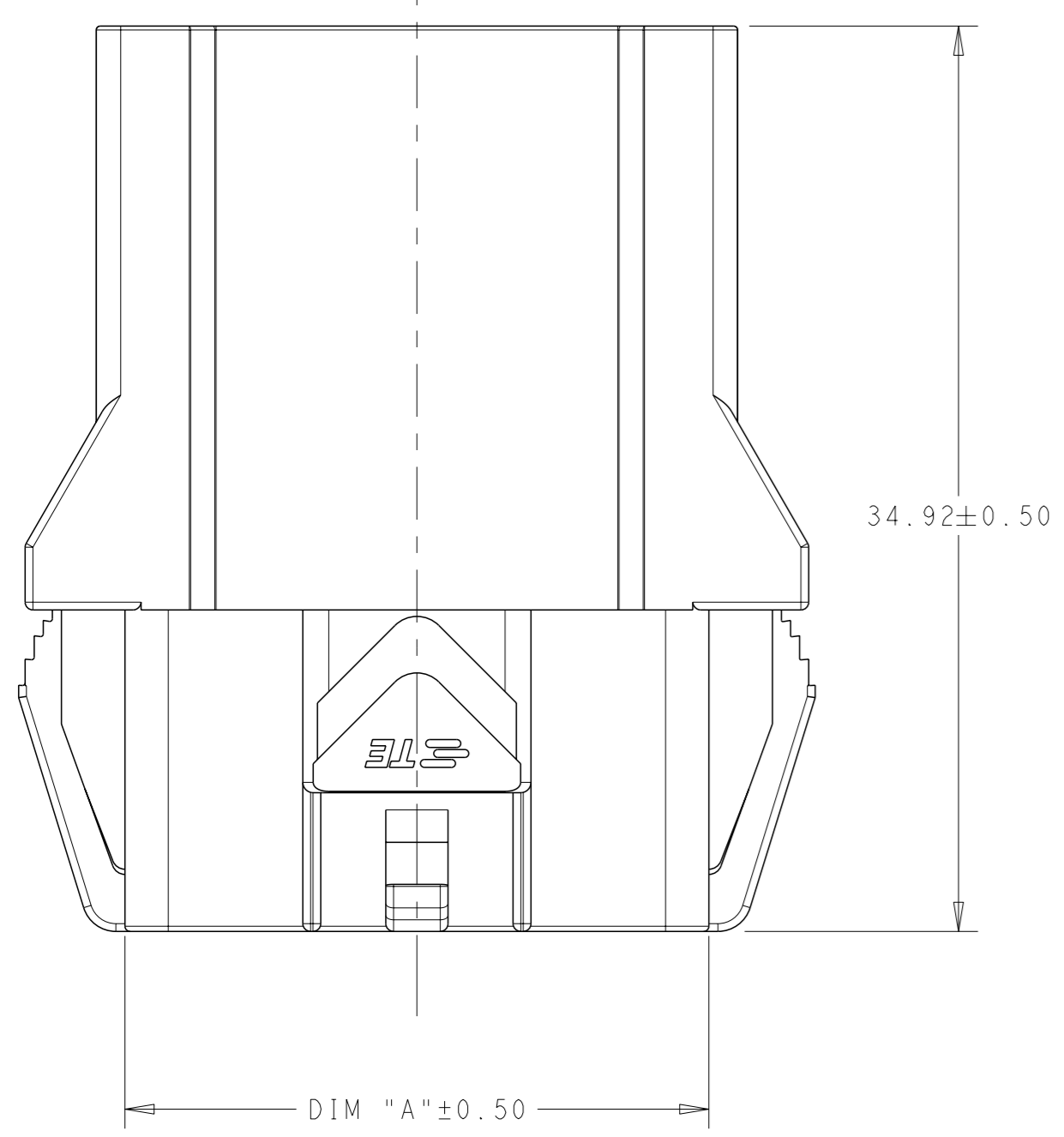
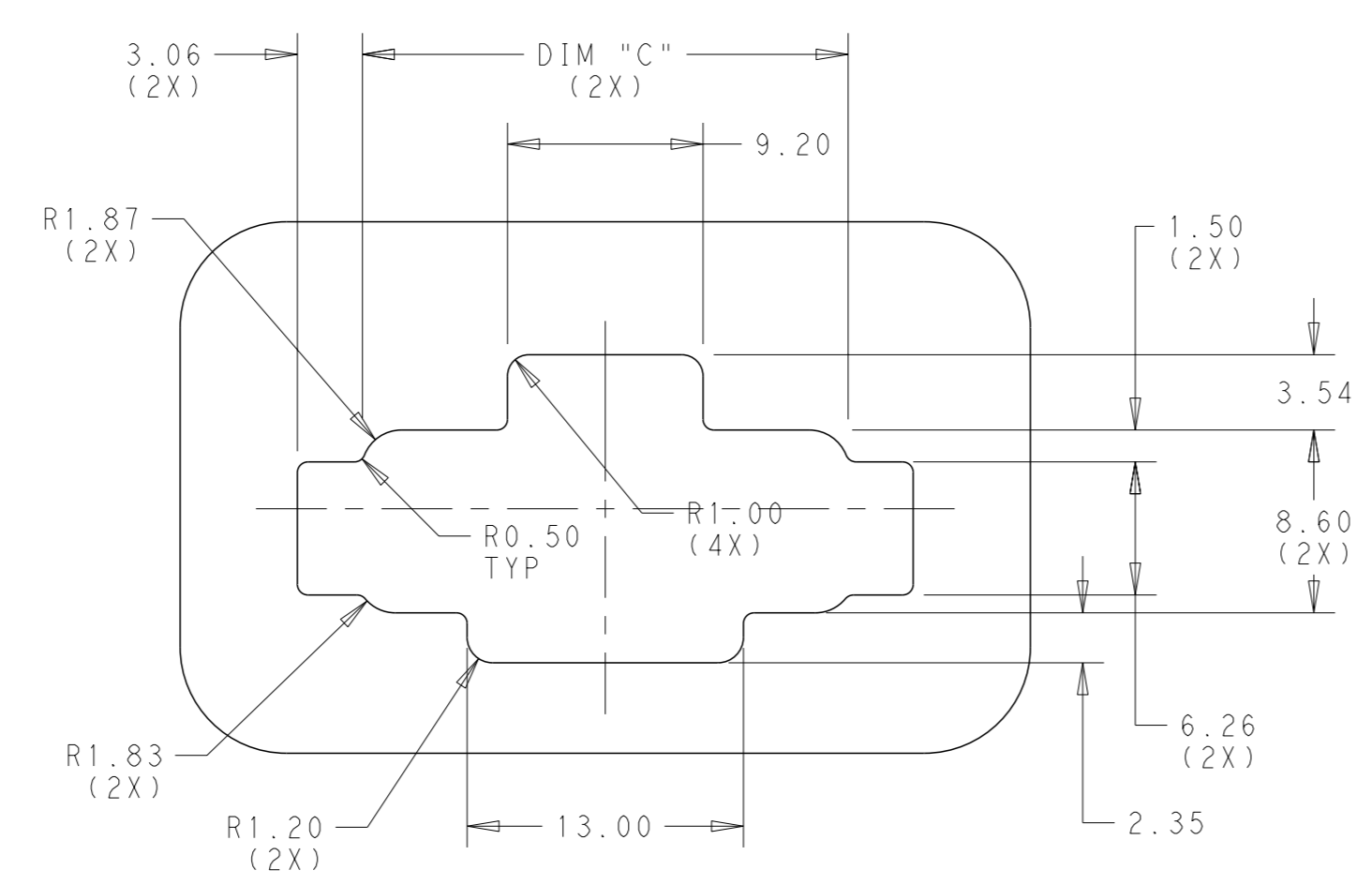
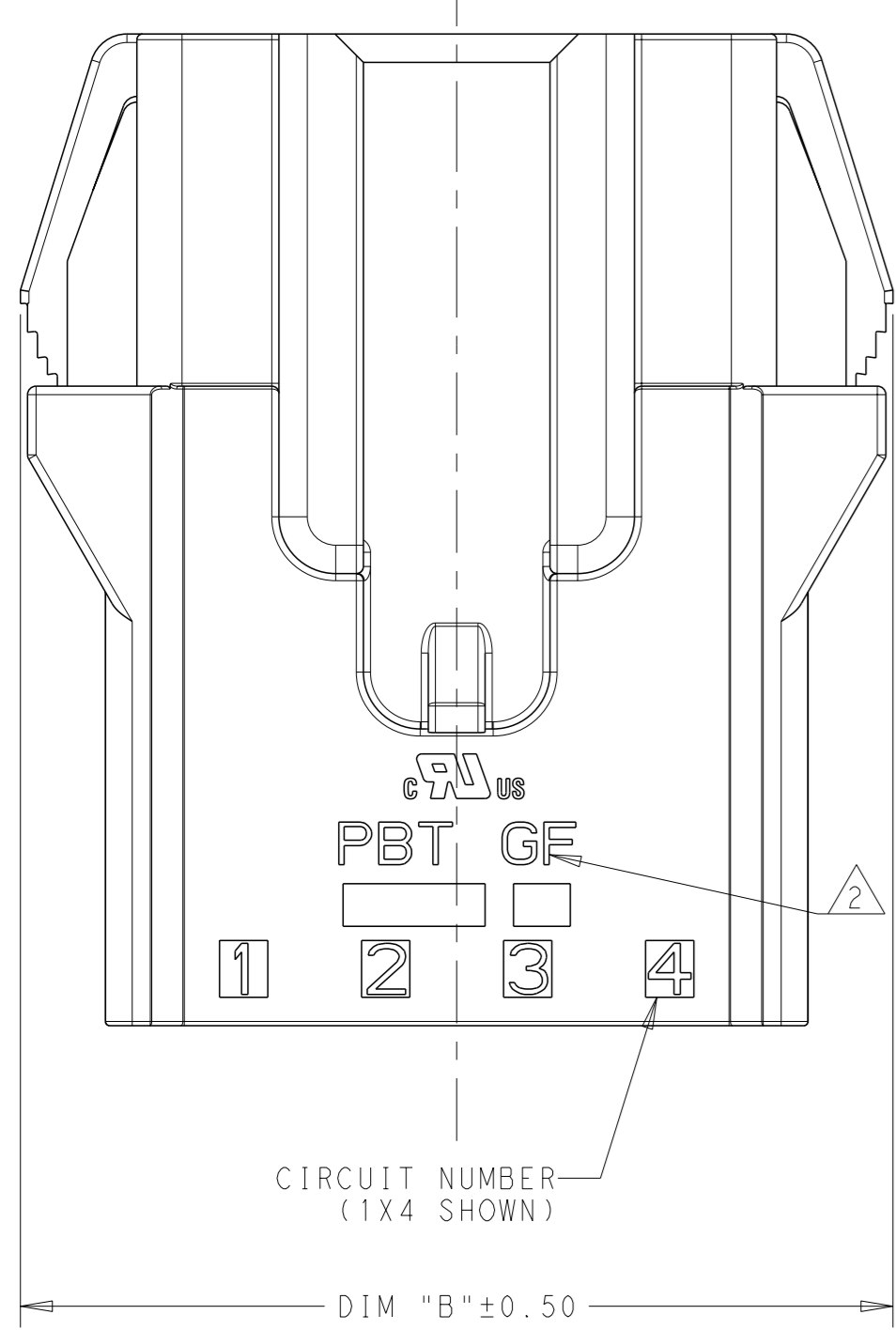
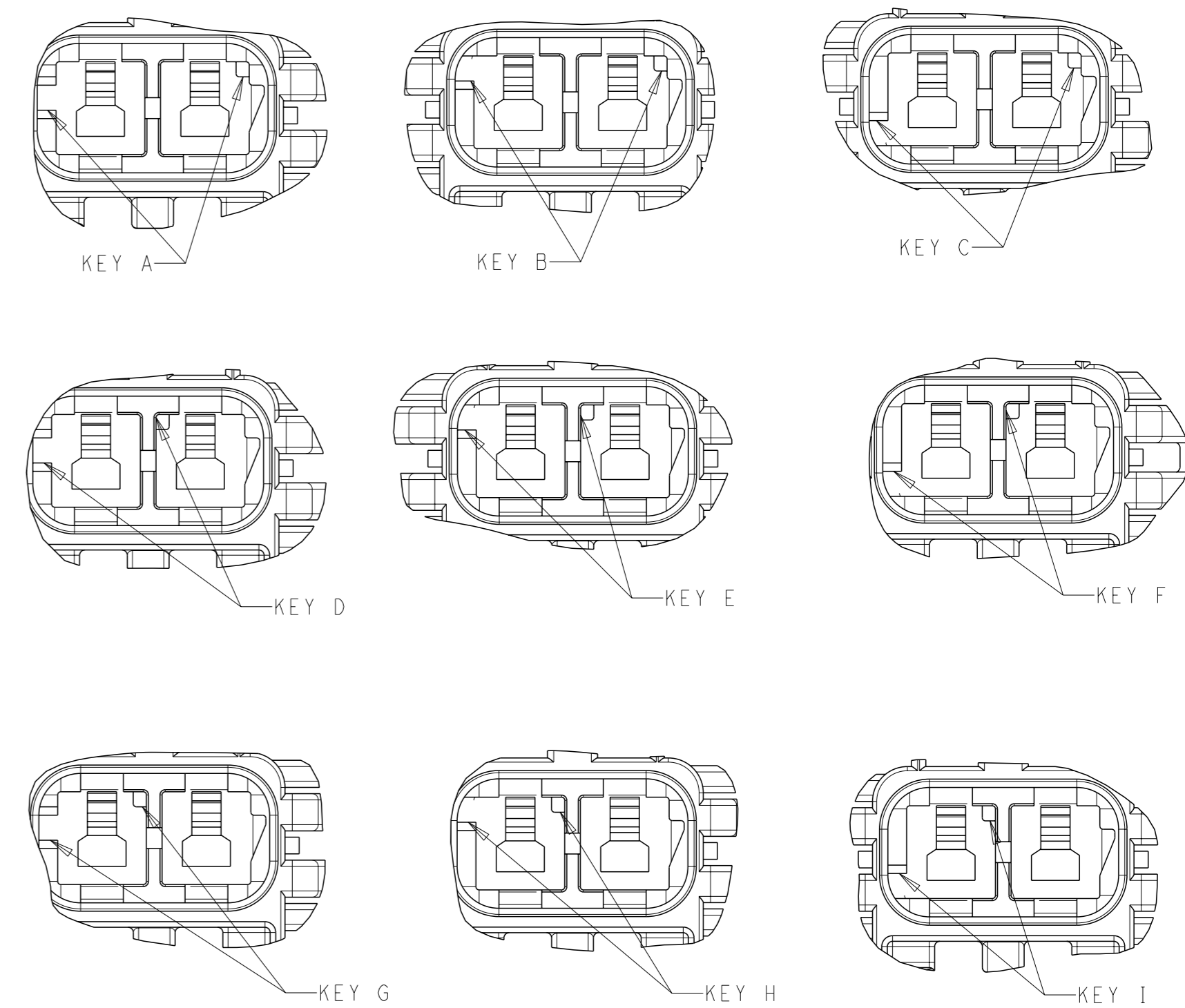
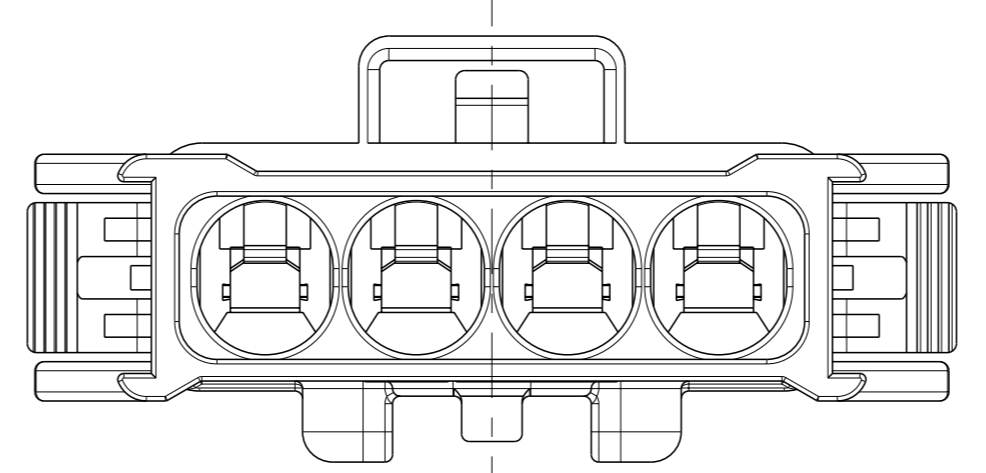
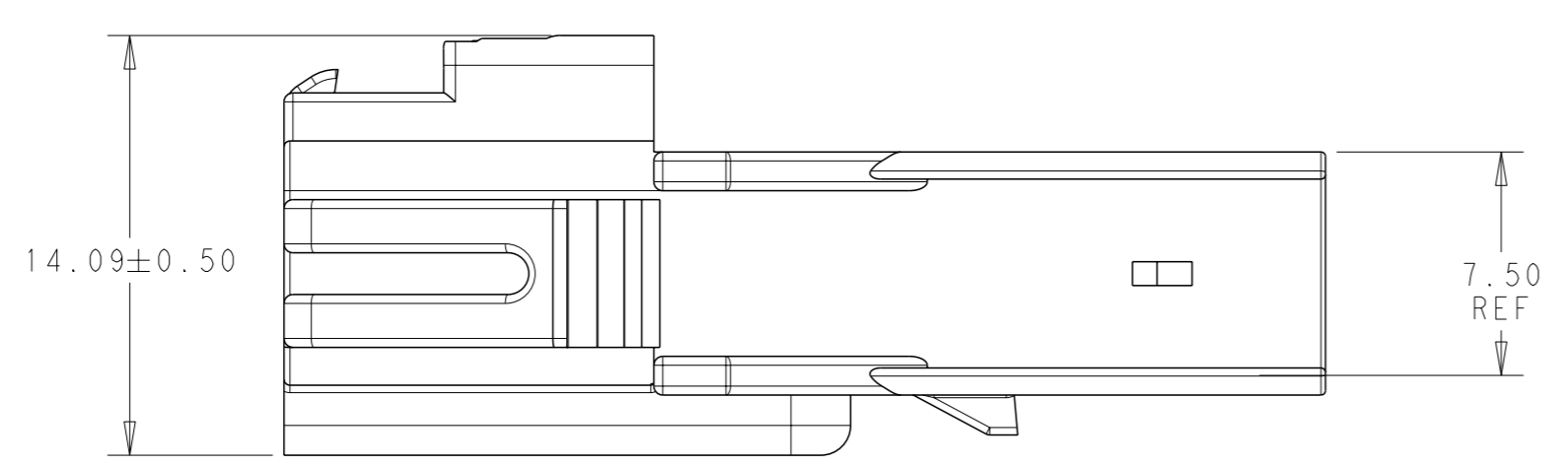
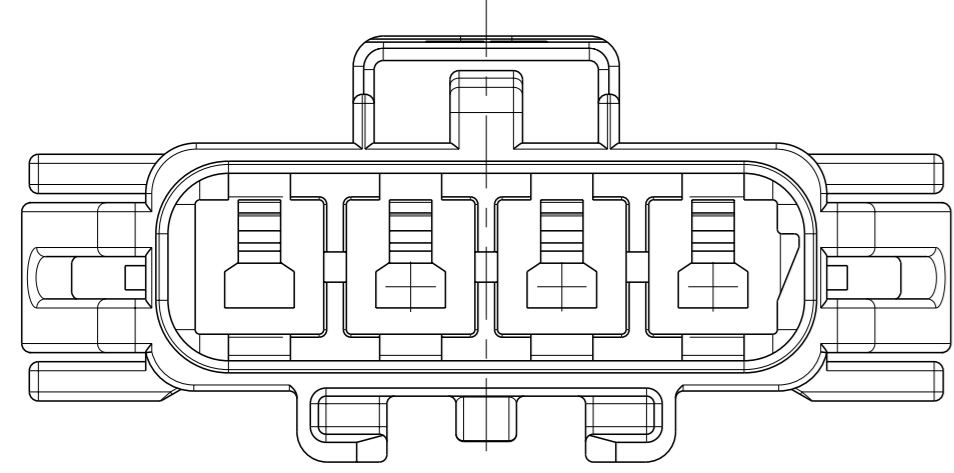


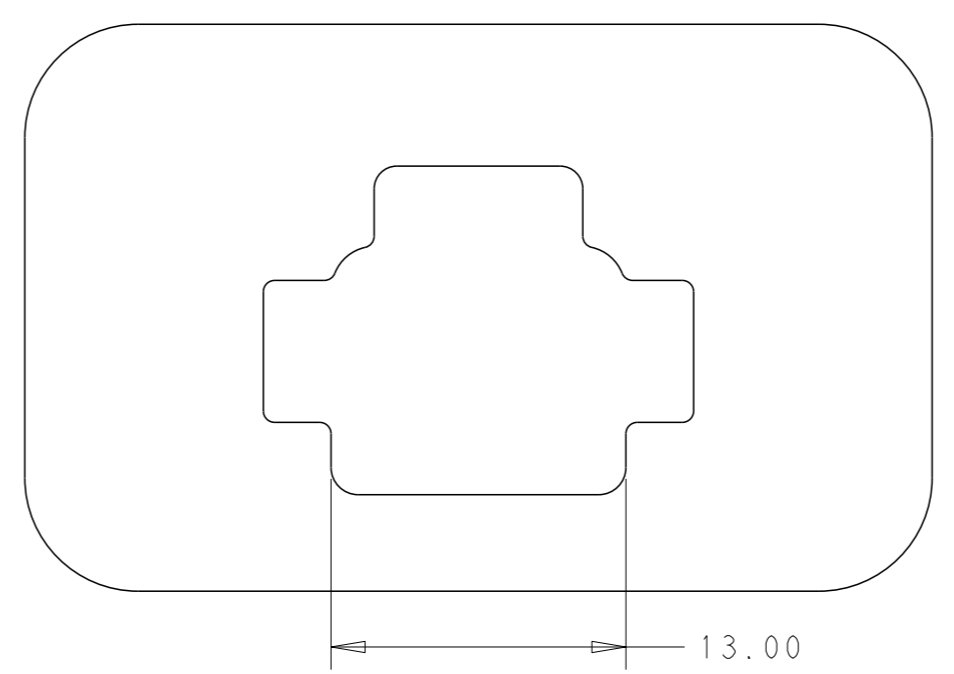
REVISIONS				
P	LT#	DESCRIPTION	DATE	OWN APVD
A		RELEASED PER ECN-20-100548	30OCT2020	JP VS



1. MATERIAL: PBT, GLASS FILLED
 KEY A: NATURAL; KEY B: GREY; KEY C: BROWN
 KEY D: RED; KEY E: ORANGE; KEY F: VIOLET
 KEY G: YELLOW; KEY H: BLUE; KEY I: GREEN
2. MATERIAL MARK: PBT GF
3. APPLICABLE CONTACT P/N:
 2329910-*/2329907-*/2329906-*/2329908-*/2329909-*/2329911-*
4. MATING CONNECTOR P/N
 PLUG HSG: *2378159-*
 TPA: 2329016-*
 BACK COVER: 2334614-*
 INTERFACE SEAL: 2325347-*
 GANG SEAL: 2325349-*
5. RECOMMENDED PANEL THICKNESS: 0.80-2.00
6. PANEL MUST BE PUNCHED SO THAT THE HOUSING ENTERS THE PANEL IN THE SAME DIRECTION AS THE PUNCH.
7. FLAMMABILITY RATING: UL94 V-0



RECOMMENDED PANEL CUT-OUT
 (ALL DIMENSIONS ±0.15)



(1-2) PANEL CUT-OUT
 (ALL DIMENSIONS ±0.15)

DIM C	DIM B	DIM A	KEYING	POSITIONS	PART NUMBER
22.85	30.73	22.52	KEY C	1*4	3-2378158-4
22.85	30.73	22.52	KEY B	1*4	2-2378158-4
22.85	30.73	22.52	KEY A	1*4	1-2378158-4
17.85	25.73	17.52	KEY C	1*3	3-2378158-3
17.85	25.73	17.52	KEY B	1*3	2-2378158-3
17.85	25.73	17.52	KEY A	1*3	1-2378158-3
12.85	20.73	12.52	KEY I	1*2	9-2378158-2
12.85	20.73	12.52	KEY H	1*2	8-2378158-2
12.85	20.73	12.52	KEY G	1*2	7-2378158-2
12.85	20.73	12.52	KEY F	1*2	6-2378158-2
12.85	20.73	12.52	KEY E	1*2	5-2378158-2
12.85	20.73	12.52	KEY D	1*2	4-2378158-2
12.85	20.73	12.52	KEY C	1*2	3-2378158-2
12.85	20.73	12.52	KEY B	1*2	2-2378158-2
12.85	20.73	12.52	KEY A	1*2	1-2378158-2

THIS DRAWING IS A CONTROLLED DOCUMENT. OWN: B. WEAVER 17AUG2020
 CHK: D. SWARTZ 17AUG2020
 APVD: V. SHETTAR 17AUG2020

STE TE Connectivity

NAME: CAP HOUSING, PANEL MOUNT, POWER VERSA-LOCK

PRODUCT SPEC: 108-143081
 APPLICATION SPEC: 114-143082

SIZE: A1 CAGE CODE: 00779 DRAWING NO: 2378158
 WEIGHT: -

CUSTOMER DRAWING SCALE: 4:1 SHEET: 1 OF 1 REV: A

X-ON Electronics

Largest Supplier of Electrical and Electronic Components

Click to view similar products for [Heavy Duty Power Connectors](#) category:

Click to view products by [TE Connectivity](#) manufacturer:

Other Similar products are found below :

[6646058-2](#) [6646137-1](#) [6646138-1](#) [6646940-1](#) [6651091-1](#) [6651525-1](#) [6651529-1](#) [696475-1](#) [702-32-01109](#) [73000005059](#) [73080254296](#)
[73080965046](#) [7310205040001](#) [765-15-0080A](#) [765-16-0080B](#) [765-18-0080D](#) [PS00/A0620/6300](#) [129-1J](#) [E6374G1](#) [e6389g2](#) [157-43GW8](#)
[MS3117-14AC](#) [1643543-1](#) [1766966-1](#) [1791340000](#) [NLDFT-3-BL-L-S120-M40A](#) [NLDFT-N-W-L-C240-M40B](#) [1926015-1](#) [NLS-N-W-C240-](#)
[M40B](#) [2-1589900-8](#) [2199314-1](#) [KA8102](#) [9300480317](#) [294-0091-01100](#) [296-0040-01100](#) [1648582-1](#) [A32595-0049](#) [1766249-1](#) [1766280-1](#)
[1766818-1](#) [AN0264023](#) [279-0841-10100A](#) [30-9717](#) [RMSB4](#) [4729](#) [492H414-9-01](#) [BSB5](#) [419-2083-301](#) [LCDX4/0-14B-X](#) [075-8519-001](#)