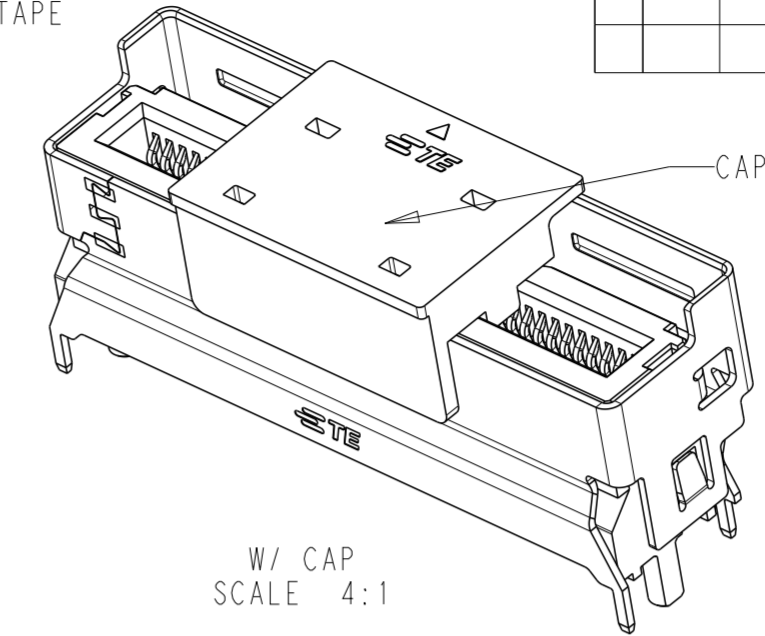
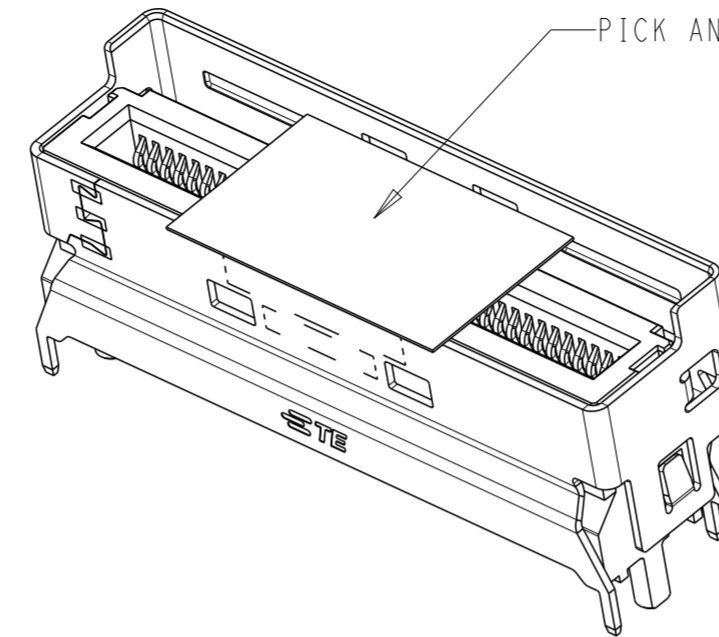
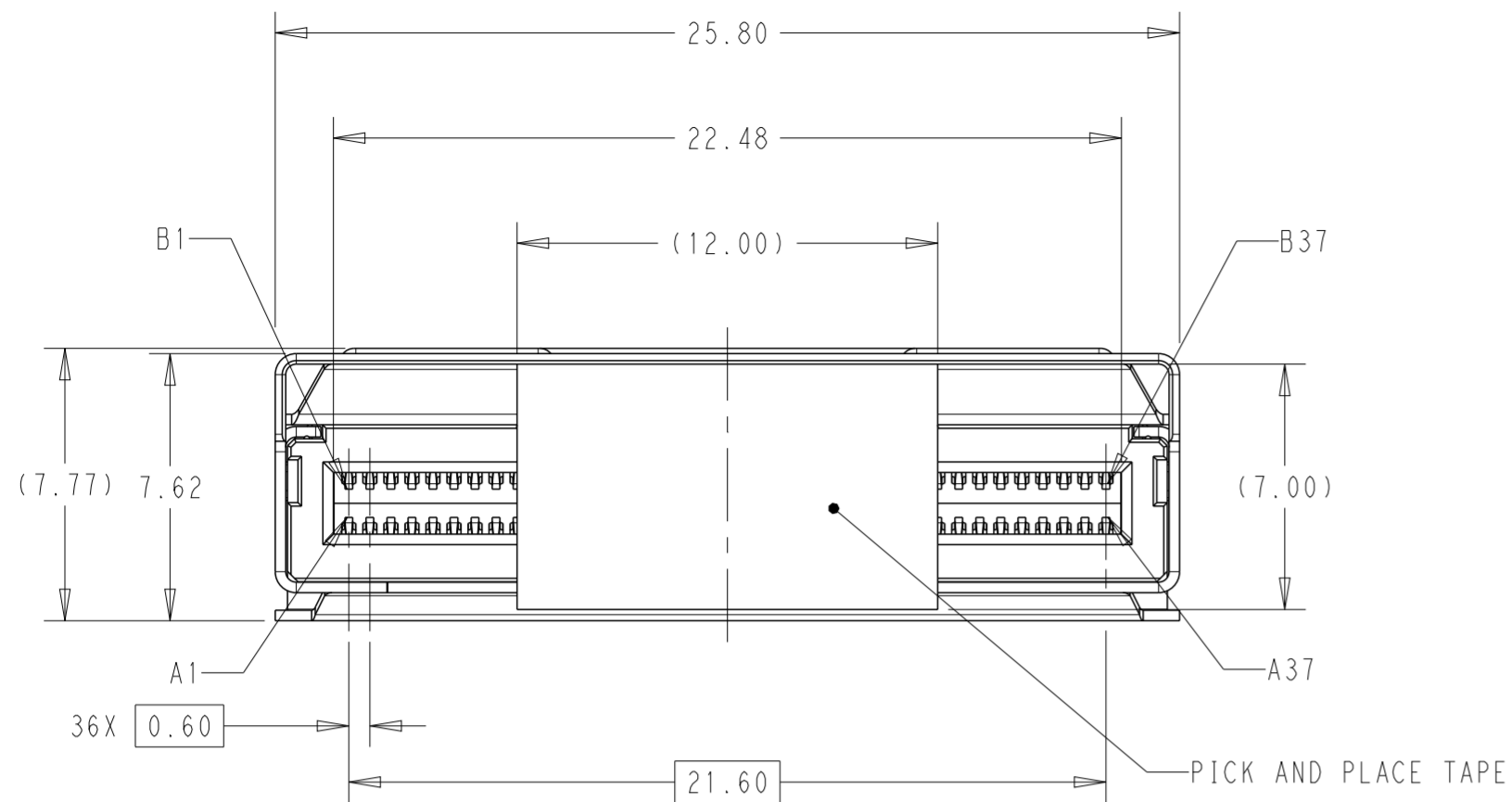
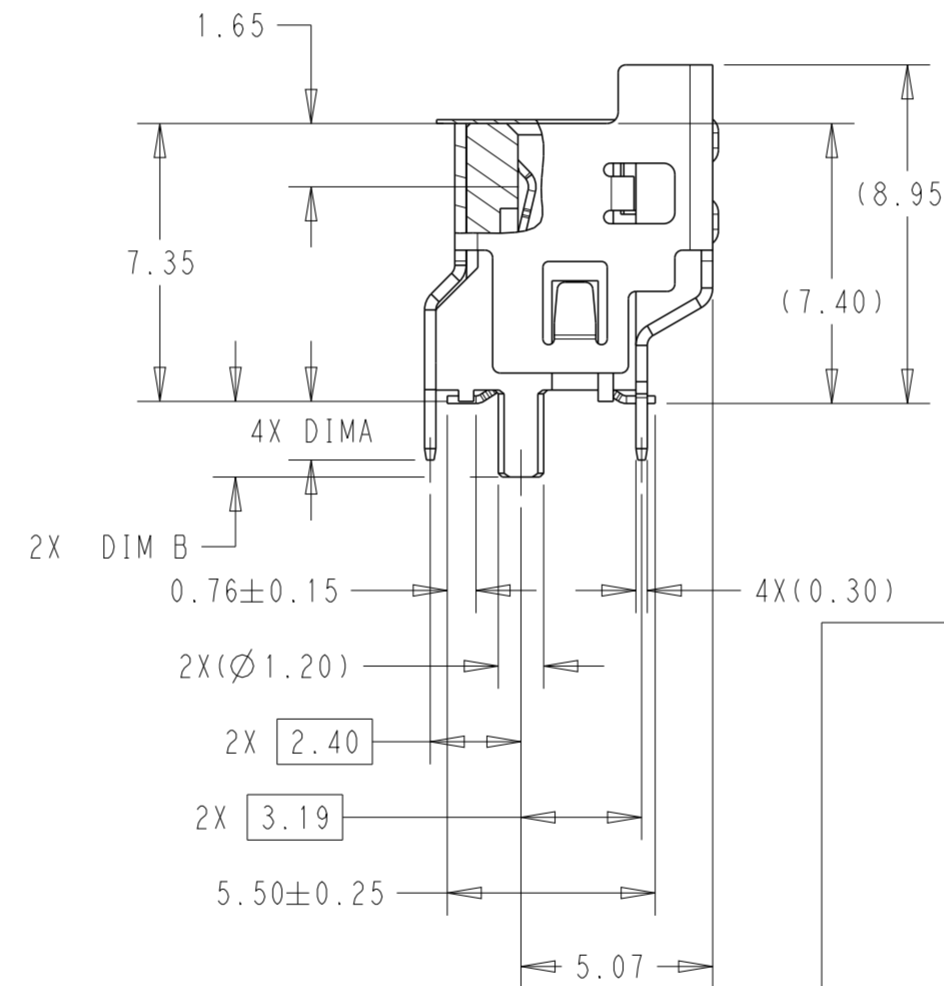
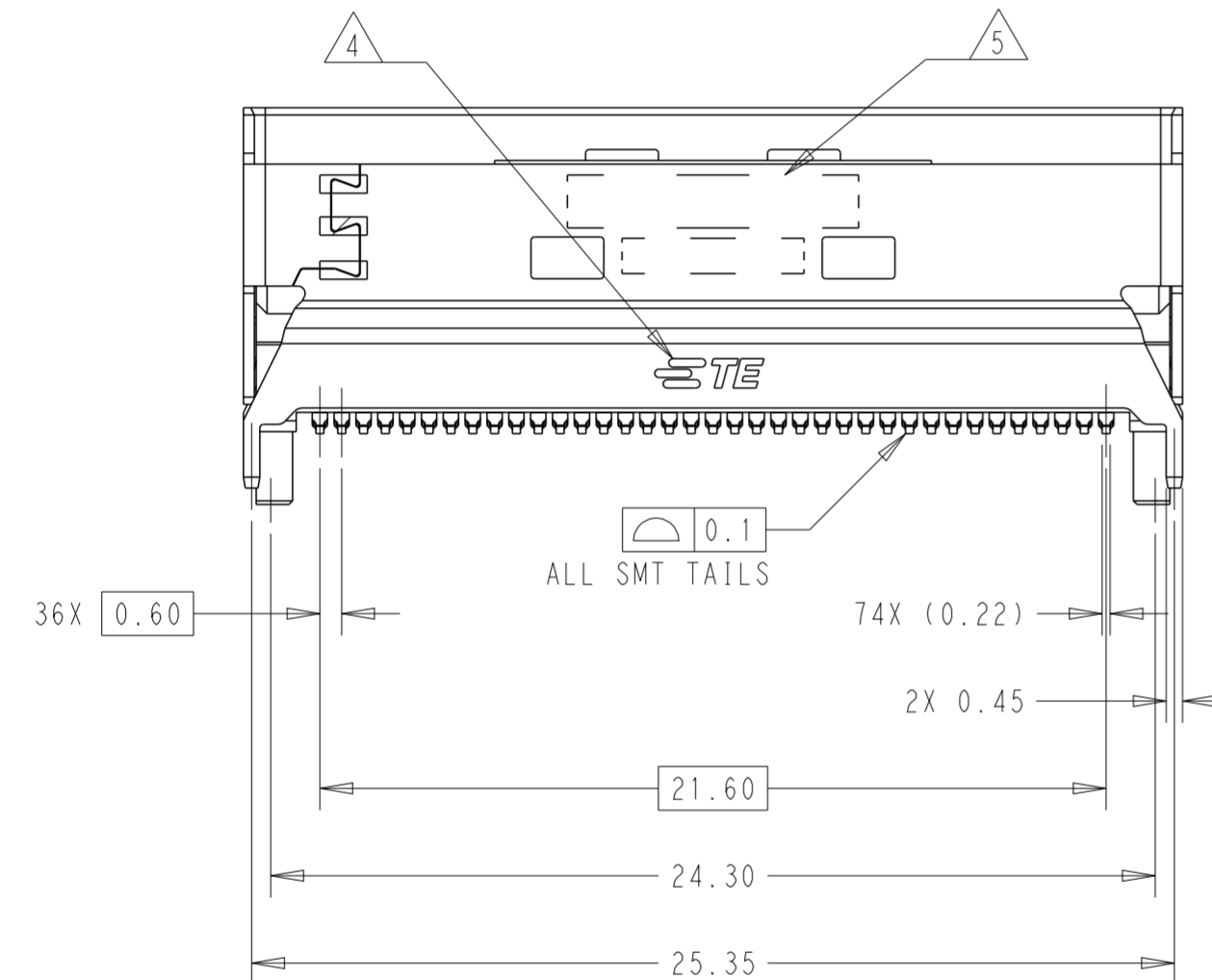
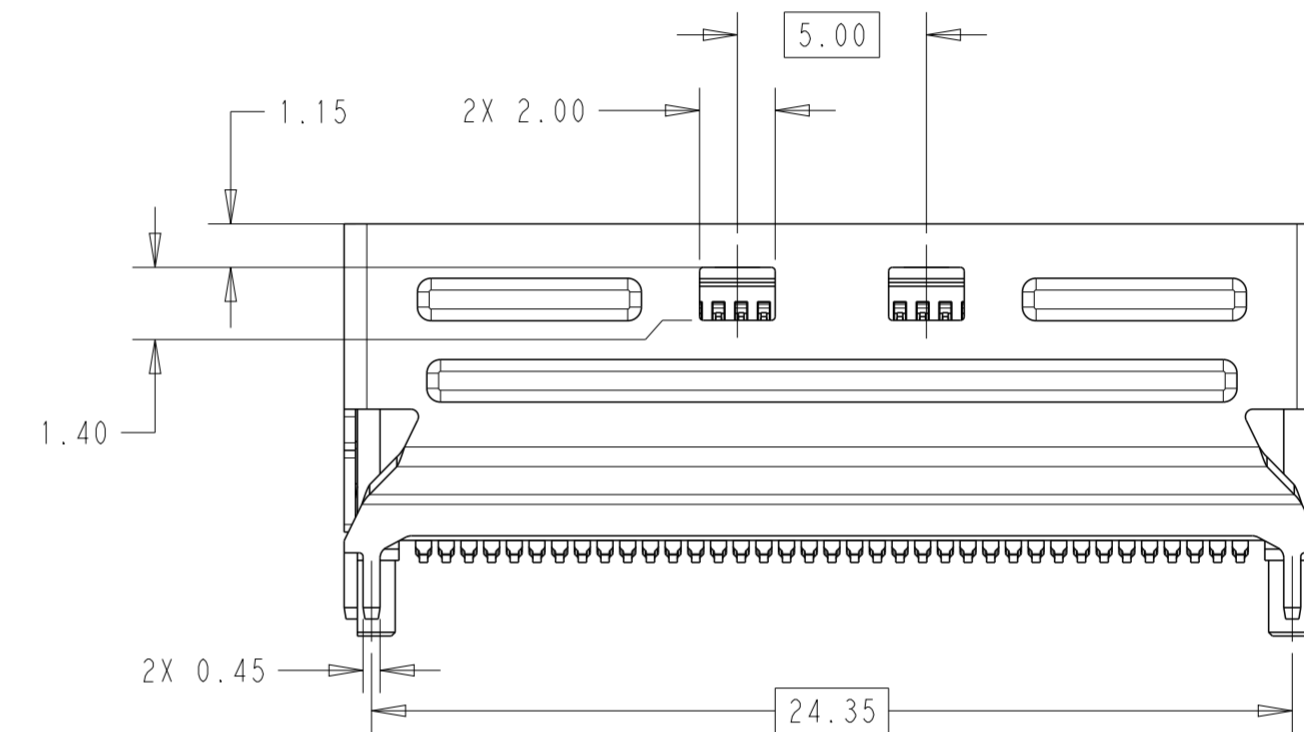


P	LTR	DESCRIPTION	DATE	DWN	APVD
A		RELEASE PER ECN-22-172004	30AUG2022	LL	DZ



W/ PICK AND PLACE TAPE SCALE 4:1

W/ CAP SCALE 4:1



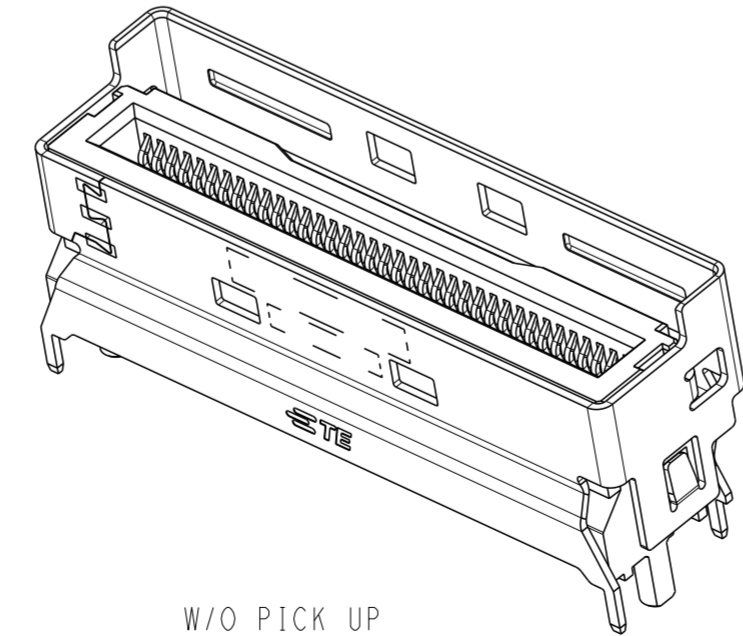
1 MATERIALS:
 PLASTICS: HIGH TEMPERATURE THERMOPLASTIC UL94V-0, COLOR: BLACK.
 SHELL: STAINLESS STEEL
 CONTACT: COPPER ALLOY
 PICK AND PLACE TAPE: POLYIMIDE FILM.

2 FINISH:
 TERMINAL: CONTACT AREA: SELECTED GOLD PLATING, SEE TABLE.
 SOLDER AREA: MATTE TIN PLATING 100u".
 SHELL: UNDERPLATING: NICKEL PLATING 50u" MIN OVERALL.

3 HALOGEN REQUIREMENT MEET CODE 2: LOW BR/CL AS DEFINED IN TEC-138-702.

4 TE CONNECTIVITY LOGO MARKED IN APPROXIMATE AREA SHOWN.

5 PART NUMBER AND DATE CODE MARKED IN APPROXIMATE AREA SHOWN.



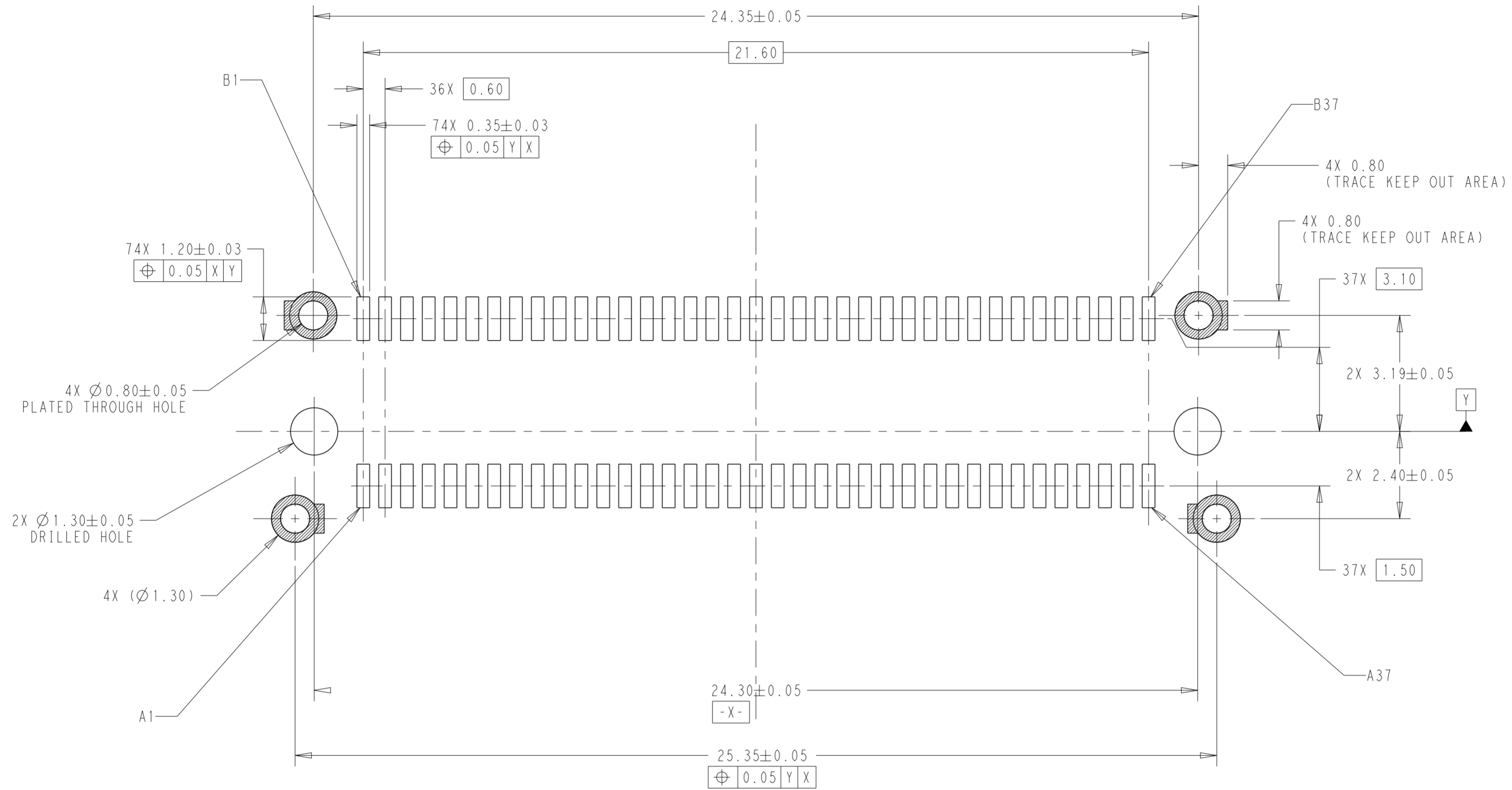
W/O PICK UP SCALE 4:1

Q'TY /CARTON (PCS)	POKET TAPE PITCH(MM)	Q'TY /REEL (PCS)	CAP OPTION	CONTACT FINISH	DIM B	DIM A	PART NUMBER
800	20	200	W/O PICK UP	30u" GOLD	2.00	1.50	4-2379397-5
					1.20	1.20	1-2379397-9
			W/CAP	30u" GOLD	2.00	4.20	1-2379397-8
					2.00	3.00	1-2379397-7
					2.00	2.20	1-2379397-6
					2.00	1.50	1-2379397-5
			W/PICK AND PLACE TAPE	15u" GOLD	1.20	1.20	3-2379397-9
					2.00	4.20	1-2379397-4
					2.00	3.00	1-2379397-3
					2.00	2.20	1-2379397-2
					2.00	1.50	1-2379397-1
					1.20	1.20	2379397-9
					2.00	4.20	2379397-8
					2.00	3.00	2379397-7
			W/PICK AND PLACE TAPE	15u" GOLD	2.00	2.20	2379397-6
					2.00	1.50	2379397-5
1.20	1.20	2-2379397-9					
2.00	4.20	2379397-4					
W/PICK AND PLACE TAPE	15u" GOLD	2.00	3.00	2379397-3			
		2.00	2.20	2379397-2			
W/PICK AND PLACE TAPE	15u" GOLD	2.00	1.50	2379397-1			


THIS DRAWING IS A CONTROLLED DOCUMENT.

DIMENSIONS: mm	TOLERANCES UNLESS OTHERWISE SPECIFIED:	DWN LEO LI 24SEP2020	TE Connectivity
	0 PLC ±	CHK DAVID ZHANG 24SEP2020	
	1 PLC ±	APVD DAVID ZHANG 24SEP2020	
	2 PLC ±0.20	PRODUCT SPEC 108-60133	
MATERIAL	FINISH	APPLICATION SPEC 114-60030	NAME MINI COOL EDGE IO INTEGRATED CONN. 0.6 PITCH, VERTICAL STANDARD 74P, SMT TYPE, 85ohm
CUSTOMER DRAWING		WEIGHT	SIZE A2 CAGE CODE 00779 DRAWING NO C-2379397
		SCALE 5:1	RESTRICTED TO SHEET 1 OF 5 REV A

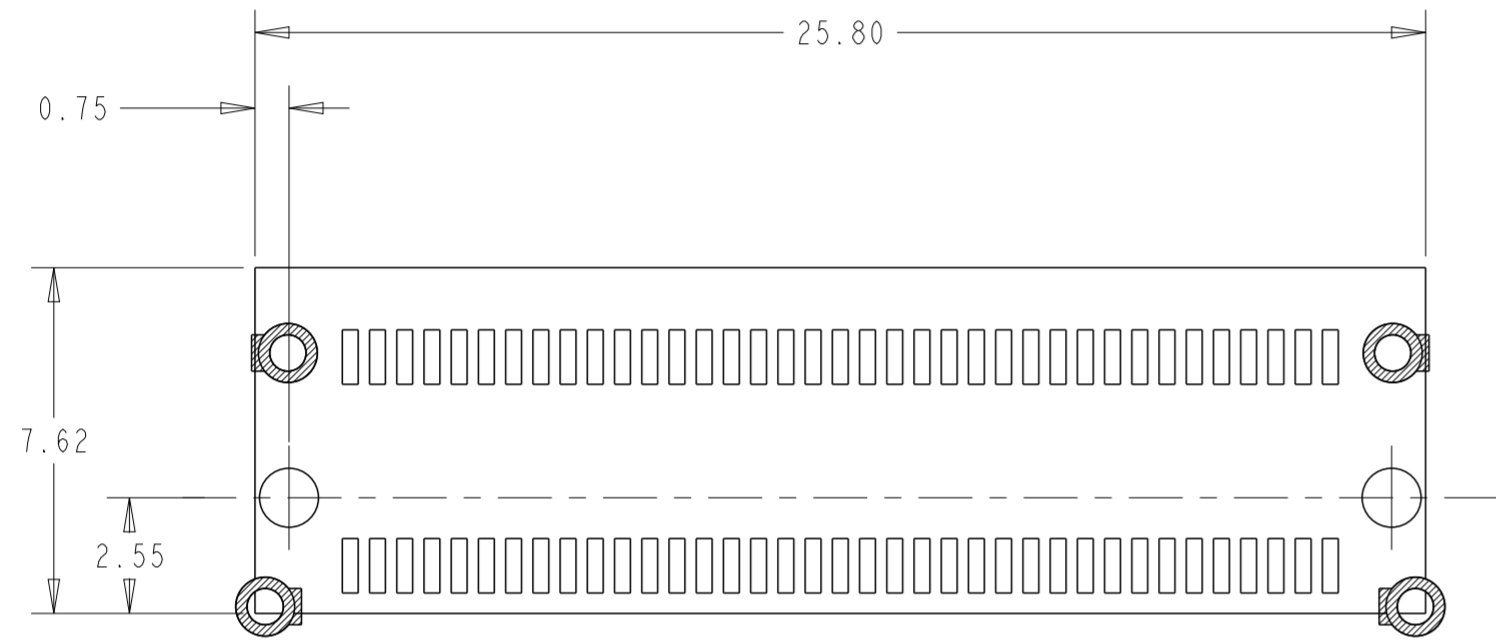
P	LTR	DESCRIPTION	DATE	DWN	APVD
-	-	SEE SHEET 1	-	-	-



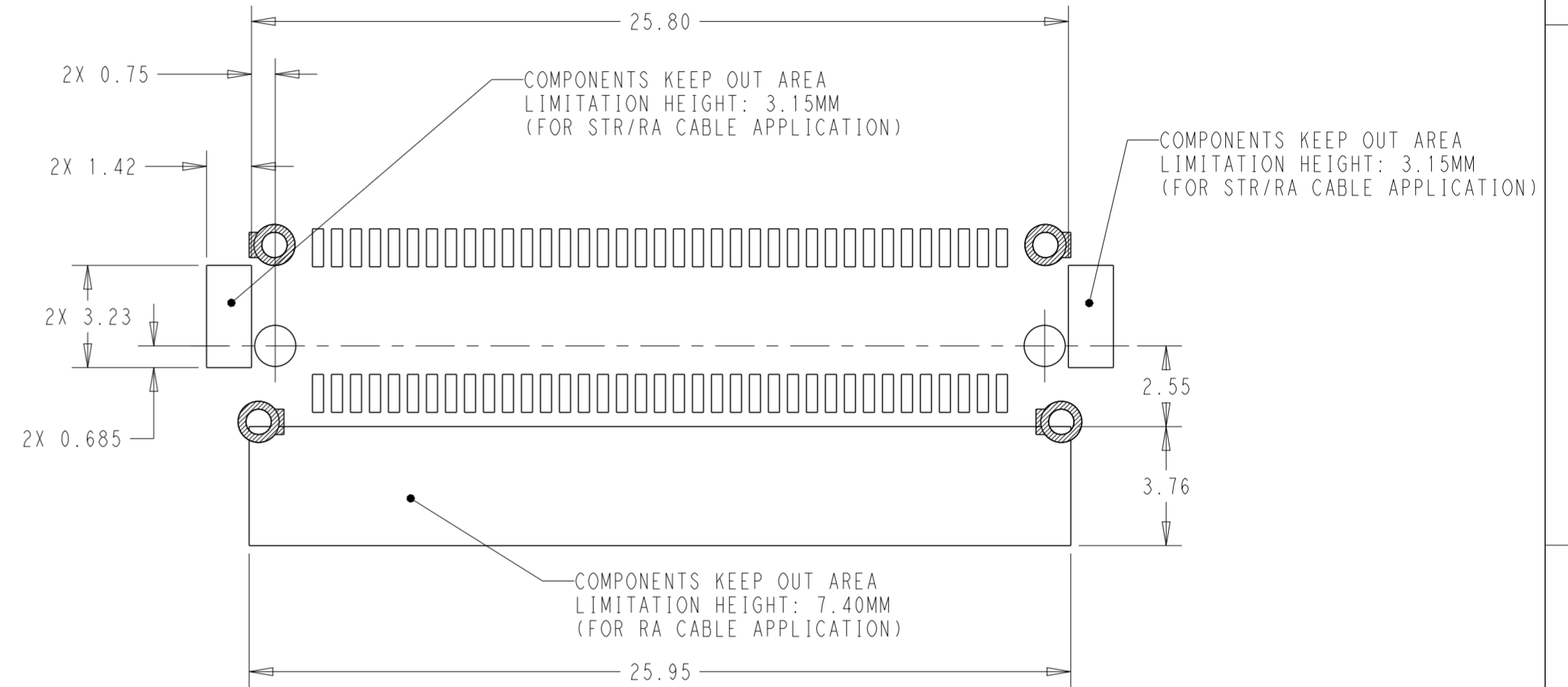
RECOMMENDED PCB LAYOUT
AND TRACE KEEP OUT AREA
SCALE 10:1

THIS DRAWING IS A CONTROLLED DOCUMENT.		DWN LEO LI 24SEP2020	 TE Connectivity	
DIMENSIONS: mm		CHK DAVID ZHANG 24SEP2020		
TOLERANCES UNLESS OTHERWISE SPECIFIED:		APVD DAVID ZHANG 24SEP2020	NAME MINI COOL EDGE IO INTEGRATED CONN. 0.6 PITCH, VERTICAL STANDARD 74P, SMT TYPE, 85ohm	
0 PLC ± 1 PLC ± 2 PLC ±0.20 3 PLC ±0.10 4 PLC ± ANGLES ±2° FINISH		PRODUCT SPEC 108-60133	SIZE A2	CAGE CODE 00779
MATERIAL		APPLICATION SPEC 114-60030	DRAWING NO C-2379397	RESTRICTED TO -
-		WEIGHT -	SCALE 5:1 SHEET 2 OF 5 REV A	
-		CUSTOMER DRAWING		

P	LTR	DESCRIPTION	DATE	DWN	APVD
-	-	SEE SHEET 1	-	-	-



COMPONENTS KEEP OUT AREA
LIMITATION HEIGHT: 0mm
SCALE 6:1

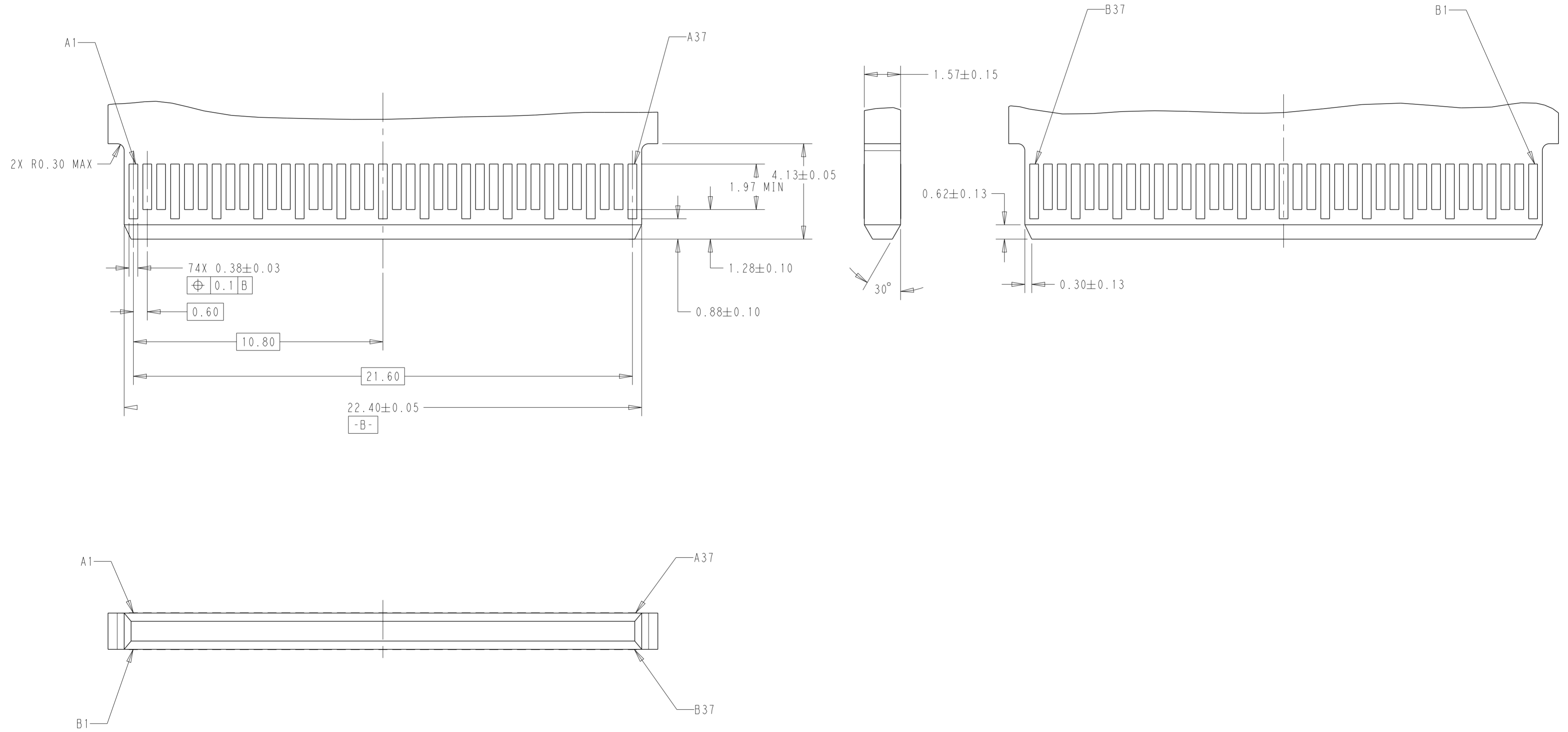


COMPONENTS KEEP OUT AREA
SCALE 6:1

THIS DRAWING IS A CONTROLLED DOCUMENT.		DWN LEO LI 24SEP2020	TE Connectivity																						
DIMENSIONS: mm		CHK DAVID ZHANG 24SEP2020																							
TOLERANCES UNLESS OTHERWISE SPECIFIED:		APVD DAVID ZHANG 24SEP2020	NAME MINI COOL EDGE IO INTEGRATED CONN. 0.6 PITCH, VERTICAL STANDARD 74P, SMT TYPE, 85ohm																						
<table border="0"> <tr> <td>0 PLC</td> <td>±</td> <td></td> </tr> <tr> <td>1 PLC</td> <td>±</td> <td></td> </tr> <tr> <td>2 PLC</td> <td>±0.20</td> <td></td> </tr> <tr> <td>3 PLC</td> <td>±0.10</td> <td></td> </tr> <tr> <td>4 PLC</td> <td>±</td> <td></td> </tr> <tr> <td>ANGLES</td> <td></td> <td>±2°</td> </tr> <tr> <td>FINISH</td> <td></td> <td></td> </tr> </table>		0 PLC	±		1 PLC	±		2 PLC	±0.20		3 PLC	±0.10		4 PLC	±		ANGLES		±2°	FINISH			PRODUCT SPEC 108-60133	SIZE A2	CAGE CODE 00779
0 PLC	±																								
1 PLC	±																								
2 PLC	±0.20																								
3 PLC	±0.10																								
4 PLC	±																								
ANGLES		±2°																							
FINISH																									
MATERIAL		APPLICATION SPEC 114-60030	DRAWING NO C-2379397	RESTRICTED TO -																					
		WEIGHT -	SCALE 5:1 SHEET 3 OF 5 REV A																						
		CUSTOMER DRAWING																							

P	LTR	DESCRIPTION	DATE	DWN	APVD
-		SEE SHEET 1	-	-	-

RECOMMENDED AIC CARD DIMENSIONS



THIS DRAWING IS A CONTROLLED DOCUMENT.		DWN LEO LI 24SEP2020	TE Connectivity																						
DIMENSIONS: mm		CHK DAVID ZHANG 24SEP2020																							
TOLERANCES UNLESS OTHERWISE SPECIFIED:		APVD DAVID ZHANG 24SEP2020	NAME MINI COOL EDGE IO INTEGRATED CONN. 0.6 PITCH, VERTICAL STANDARD 74P, SMT TYPE, 85ohm																						
<table border="0"> <tr> <td>0 PLC</td> <td>±</td> <td>-</td> </tr> <tr> <td>1 PLC</td> <td>±</td> <td>-</td> </tr> <tr> <td>2 PLC</td> <td>±</td> <td>0.20</td> </tr> <tr> <td>3 PLC</td> <td>±</td> <td>0.10</td> </tr> <tr> <td>4 PLC</td> <td>±</td> <td>-</td> </tr> <tr> <td>ANGLES</td> <td>±</td> <td>2°</td> </tr> <tr> <td>FINISH</td> <td>-</td> <td>-</td> </tr> </table>		0 PLC	±	-	1 PLC	±	-	2 PLC	±	0.20	3 PLC	±	0.10	4 PLC	±	-	ANGLES	±	2°	FINISH	-	-	PRODUCT SPEC 108-60133	SIZE A2	
0 PLC	±	-																							
1 PLC	±	-																							
2 PLC	±	0.20																							
3 PLC	±	0.10																							
4 PLC	±	-																							
ANGLES	±	2°																							
FINISH	-	-																							
MATERIAL		APPLICATION SPEC 114-60030	CAGE CODE 00779	DRAWING NO C-2379397																					
		WEIGHT -	RESTRICTED TO -																						
		CUSTOMER DRAWING	SCALE 5:1	SHEET 4 OF 5																					
			REV A																						

P	LTR	DESCRIPTION	DATE	DWN	APVD
-	-	SEE SHEET 1	-	-	-

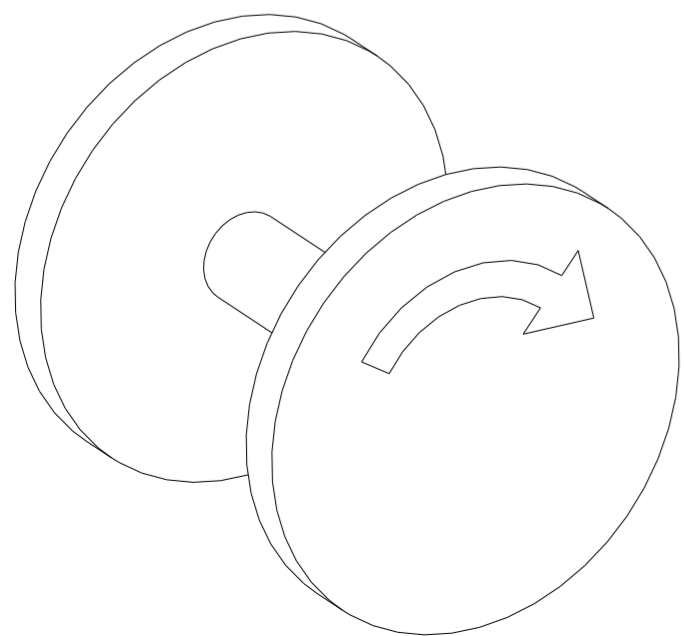
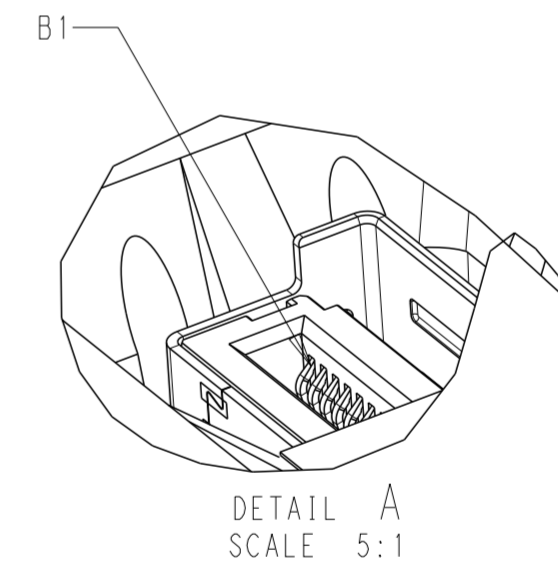
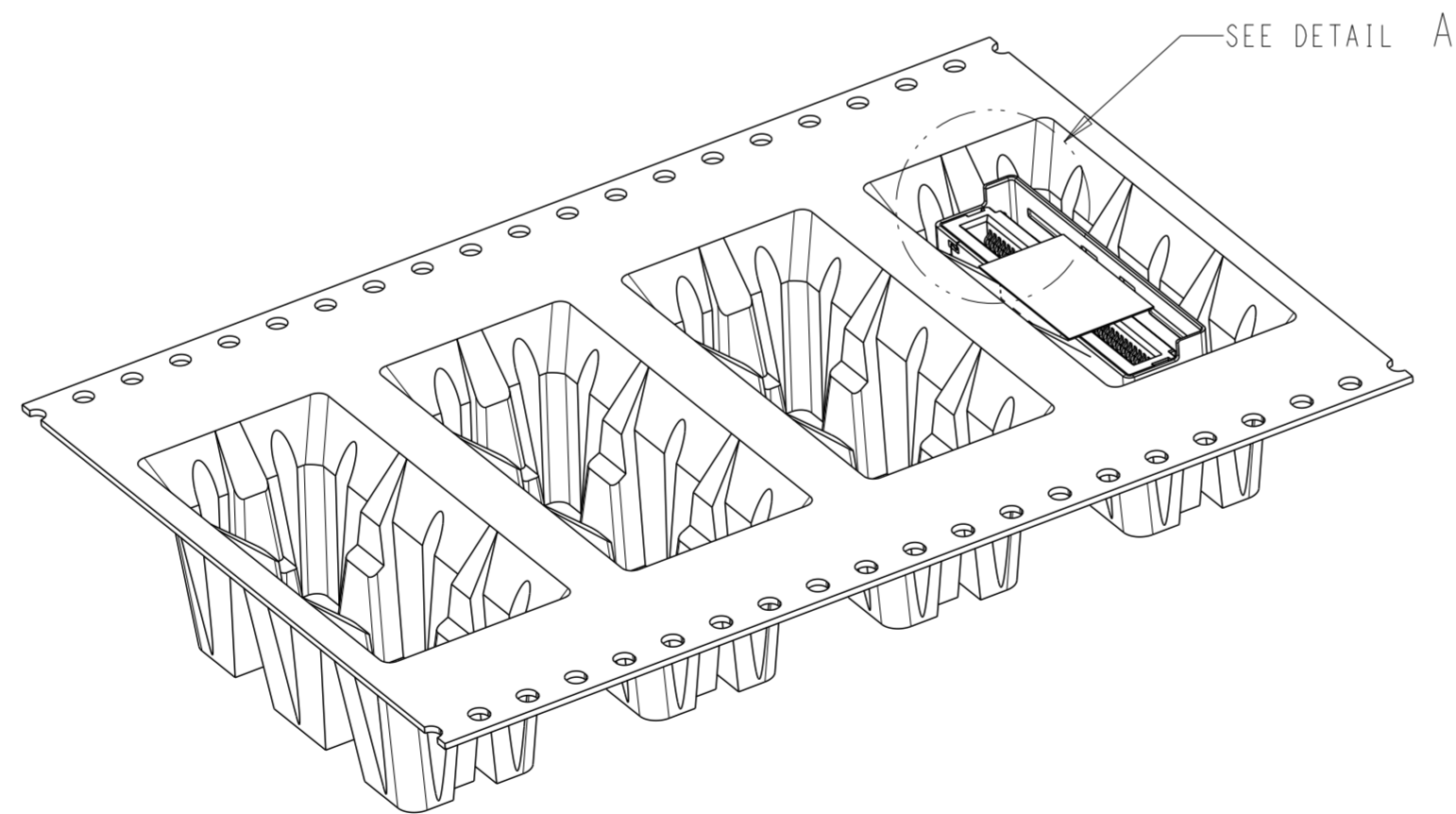
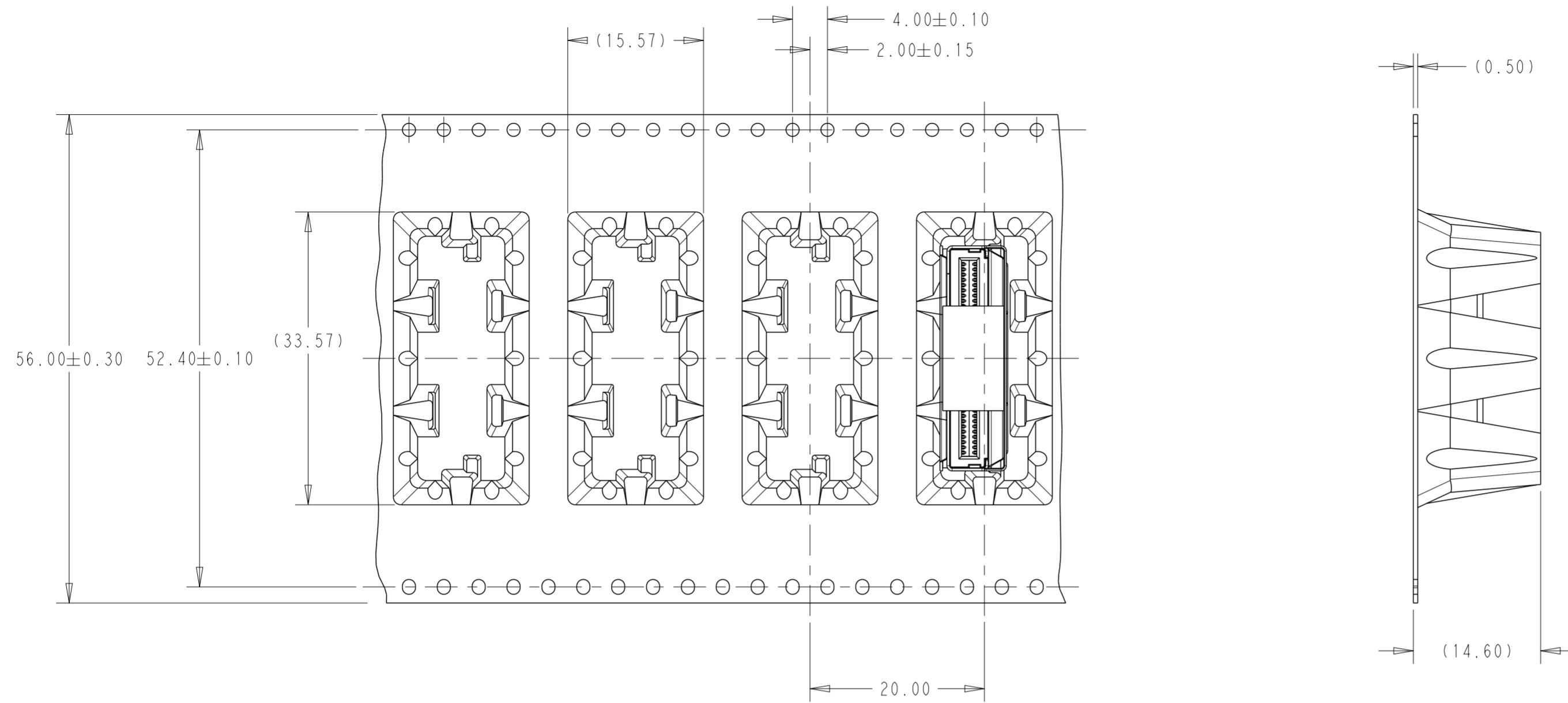


FIGURE 1
DIRECTION OFF TOP OF REEL
FOR USER UNREELING

SCALE 2:1

THIS DRAWING IS A CONTROLLED DOCUMENT.		DWN LEO LI 24SEP2020	TE Connectivity	
DIMENSIONS: mm		CHK DAVID ZHANG 24SEP2020		
TOLERANCES UNLESS OTHERWISE SPECIFIED:		APVD DAVID ZHANG 24SEP2020	NAME MINI COOL EDGE IO INTEGRATED CONN. 0.6 PITCH, VERTICAL STANDARD 74P, SMT TYPE, 85ohm	
0 PLC ±		PRODUCT SPEC 108-60133	SIZE A2	CAGE CODE 00779
1 PLC ±		APPLICATION SPEC 114-60030	DRAWING NO C-2379397	RESTRICTED TO -
2 PLC ±0.20		WEIGHT -	SCALE 5:1	SHEET 5 OF 5
3 PLC ±0.10		CUSTOMER DRAWING	REV A	
4 PLC ±				
ANGLES ±2°				
FINISH				

X-ON Electronics

Largest Supplier of Electrical and Electronic Components

Click to view similar products for [I/O Connectors](#) category:

Click to view products by [TE Connectivity](#) manufacturer:

Other Similar products are found below :

[571763P](#) [59811-0000](#) [61-168618-12P](#) [D20419-211](#) [D38999/24FG11SN L/C](#) [76871-1403](#) [PCR-E36PM](#) [PCS-XE26LKA](#) [PCS-XES68MS+](#)
[G38A71314B](#) [9776-18-6](#) [DX40-50P\(55\)](#) [1571250010](#) [157-22500-3](#) [MS3471L14-19P L/C](#) [192991-0703](#) [91-644626-35P](#) [SM3100RC14S-9P-](#)
[115](#) [FCN-260C008-A/L0](#) [FCN-260C024-AL0](#) [FCN-261Z008](#) [200331-1](#) [PCS-E28FS+](#) [PCS-XE26SLFD+](#) [PCS-XE26SLFDT+](#)
[G730VID08BDC24](#) [HDMR-29-01-S-SM-TR](#) [HDR-E14MSG1+](#) [54182-0605](#) [UE86K842720321](#) [38113800006](#) [DP3AR020WQ1R200](#)
[Z4.102.0680.0](#) [500-1040](#) [500-1052](#) [500-1054](#) [ZP-4008-66L](#) [10-584459-12P](#) [DX40-20P\(55\)](#) [5554841-1](#) [SM3100F14S-12P](#) [SM3106F14S-7S-](#)
[LC](#) [SM3106R18-18S](#) [U90B3054061110](#) [U65-E04-4020](#) [557-262M2-06C](#) [PCS-96LFD+](#) [60-042222-02S](#) [10099439-003C-TRLF](#) [226-0348-](#)
[000](#)