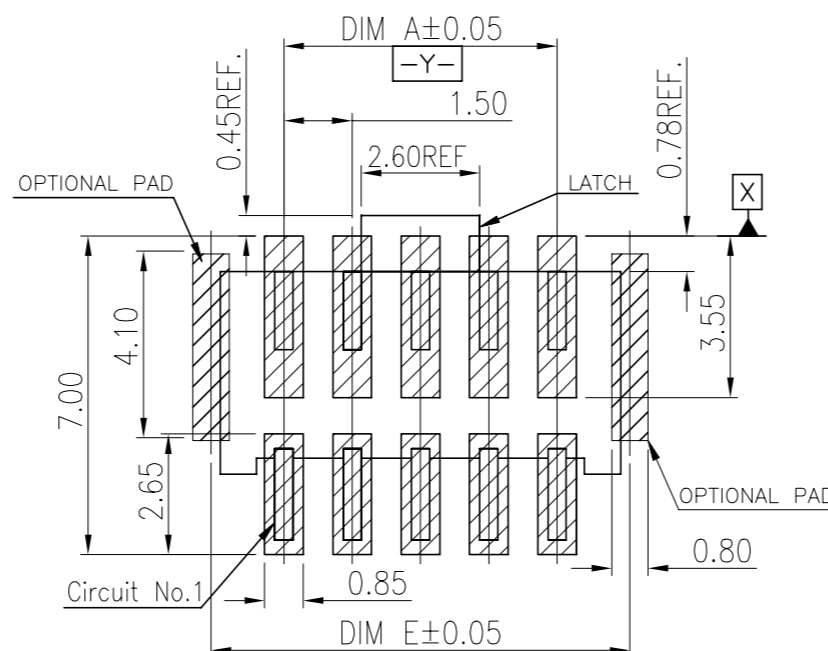
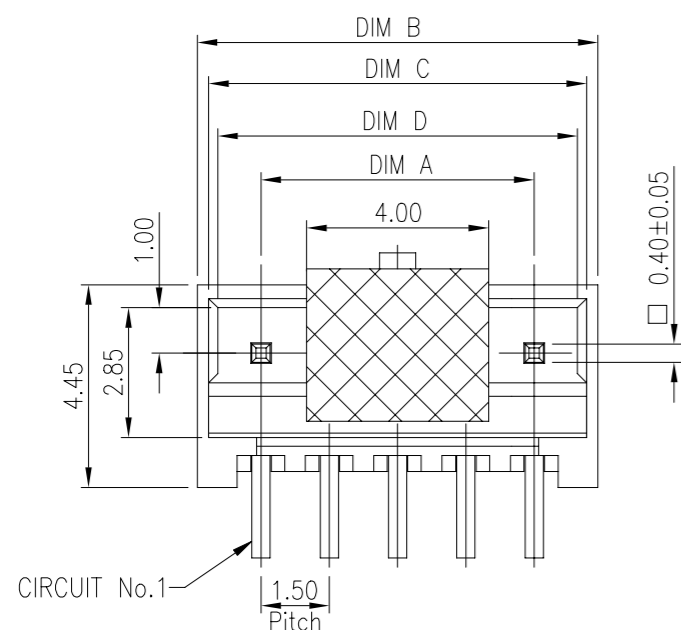


P	LTR	DESCRIPTION	DATE	DWN	APVD
A		ECR-21-108912	08MAY2021	T.Q	N.S

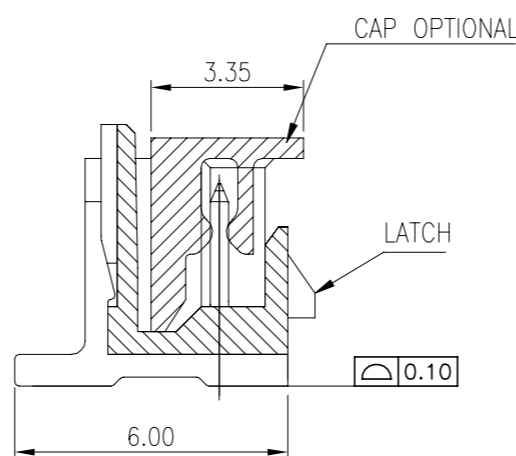
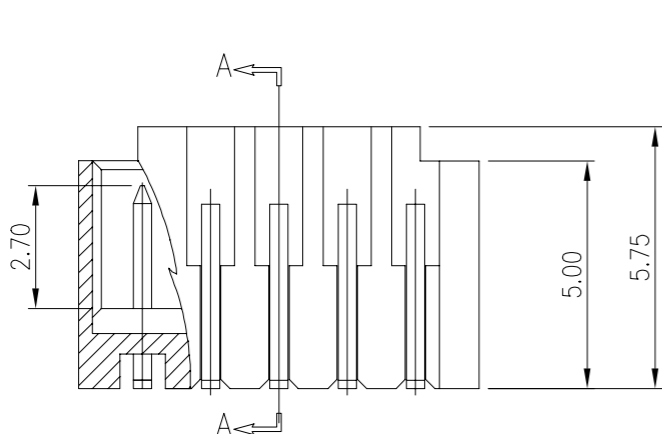


RECOMMENDED PCB LAYOUT FOR *-2380320-*

TOLERANCE ± 0.05

NOTES:

- MATERIAL:
 - HOUSING: HALOGEN FREE PLASTIC, UL94V-0.
 - CONTACT: COPPER ALLOY
- FINISH:
 - TYPE A: CONTACT: 50U" MIN. NICKEL UNDER PLATING OVERALL
100U" MIN. MATTE TIN PLATING ON CONTACT AREA AND SOLDER AREA.
 - TYPE B: CONTACT: 50U" MIN. NICKEL UNDER PLATING OVERALL
GOLD FLASH PLATING ON CONTACT AREA AND SOLDER AREA.
- REFLOW SOLDER CAPABLE TO 260°C, PER PRODUCTION SPEC.



SEC. A-A

COLOR	DIM.E	DIM.D	DIM.C	DIM.B	DIM.A	POS.NO.	TYPE B	TYPE A
BLACK	4.7	3.4	3.8	4.3	1.5	2	6-2380320-2	4-2380320-2
BLACK	6.2	4.9	5.3	5.8	3.0	3	6-2380320-3	4-2380320-3
BLACK	7.7	6.4	6.8	7.3	4.5	4	6-2380320-4	4-2380320-4
BLACK	9.2	7.9	8.3	8.8	6.0	5	6-2380320-5	4-2380320-5
BLACK	10.7	9.4	9.8	10.3	7.5	6	6-2380320-6	4-2380320-6
BLACK	12.2	10.9	11.3	11.8	9.0	7	6-2380320-7	4-2380320-7
BLACK	13.7	12.4	12.8	13.3	10.5	8	6-2380320-8	4-2380320-8
BLACK	15.2	13.9	14.3	14.8	12.0	9	6-2380320-9	4-2380320-9
BLACK	16.7	15.4	15.8	16.3	13.5	10	7-2380320-0	5-2380320-0
BLACK	18.2	16.9	17.3	17.8	15.0	11	7-2380320-1	5-2380320-1
BLACK	19.7	18.4	18.8	19.3	16.5	12	7-2380320-2	5-2380320-2
BLACK	21.2	19.9	20.3	20.8	18.0	13	7-2380320-3	5-2380320-3
BLACK	22.7	21.4	21.8	22.3	19.5	14	7-2380320-4	5-2380320-4
BLACK	24.2	22.9	23.3	23.8	21.0	15	7-2380320-5	5-2380320-5
NATURAL	4.7	3.4	3.8	4.3	1.5	2	2-2380320-2	2380320-2
NATURAL	6.2	4.9	5.3	5.8	3.0	3	2-2380320-3	2380320-3
NATURAL	7.7	6.4	6.8	7.3	4.5	4	2-2380320-4	2380320-4
NATURAL	9.2	7.9	8.3	8.8	6.0	5	2-2380320-5	2380320-5
NATURAL	10.7	9.4	9.8	10.3	7.5	6	2-2380320-6	2380320-6
NATURAL	12.2	10.9	11.3	11.8	9.0	7	2-2380320-7	2380320-7
NATURAL	13.7	12.4	12.8	13.3	10.5	8	2-2380320-8	2380320-8
NATURAL	15.2	13.9	14.3	14.8	12.0	9	2-2380320-9	2380320-9
NATURAL	16.7	15.4	15.8	16.3	13.5	10	3-2380320-0	1-2380320-0
NATURAL	18.2	16.9	17.3	17.8	15.0	11	3-2380320-1	1-2380320-1
NATURAL	19.7	18.4	18.8	19.3	16.5	12	3-2380320-2	1-2380320-2
NATURAL	21.2	19.9	20.3	20.8	18.0	13	3-2380320-3	1-2380320-3
NATURAL	22.7	21.4	21.8	22.3	19.5	14	3-2380320-4	1-2380320-4
NATURAL	24.2	22.9	23.3	23.8	21.0	15	3-2380320-5	1-2380320-5

THIS DRAWING IS A CONTROLLED DOCUMENT.

DIMENSIONS:	TOLERANCES UNLESS OTHERWISE SPECIFIED:
mm	
0 PLC	± 0.5
1 PLC	± 0.35
2 PLC	± 0.25
3 PLC	± 0.15
4 PLC	± -
ANGLES	± 2'
MATERIAL	FINISH
SEE NOTE	-

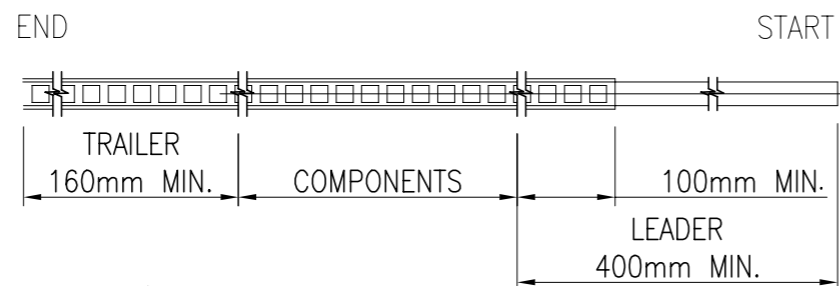
DWN	Jone Ji	23SEP2020
CHK	Wenke He	-
APVD	Wenke He	-
PRODUCT SPEC	-	-
APPLICATION SPEC	-	-
WEIGHT	-	-
CUSTOMER DRAWING	SCALE N/A SHEET 1 of 5 REV A	



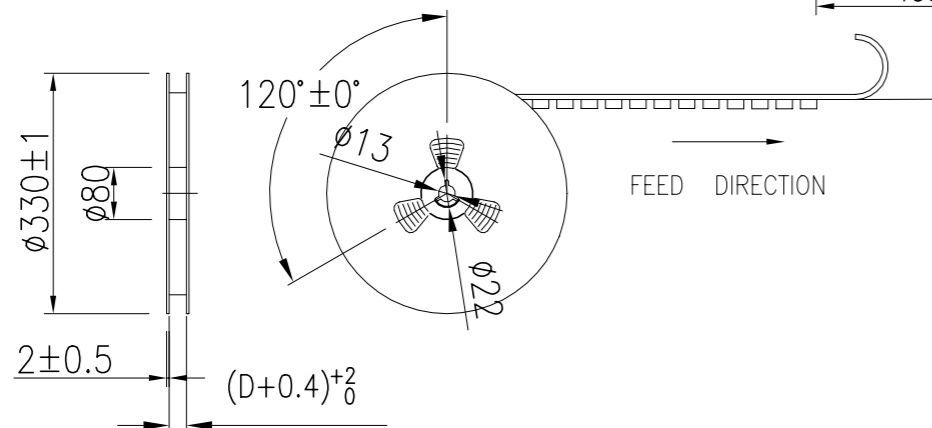
1.5P WTB VERTICAL TYPE WITH LATCH

SIZE	CAGE CODE	DRAWING NO	RESTRICTED TO
A3	00779	C=2380320	-

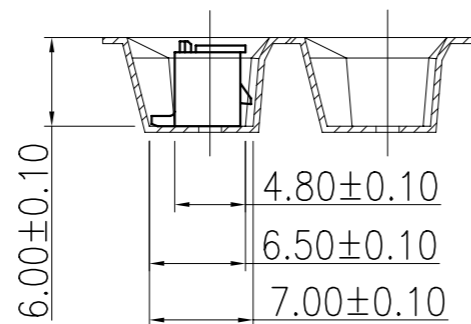
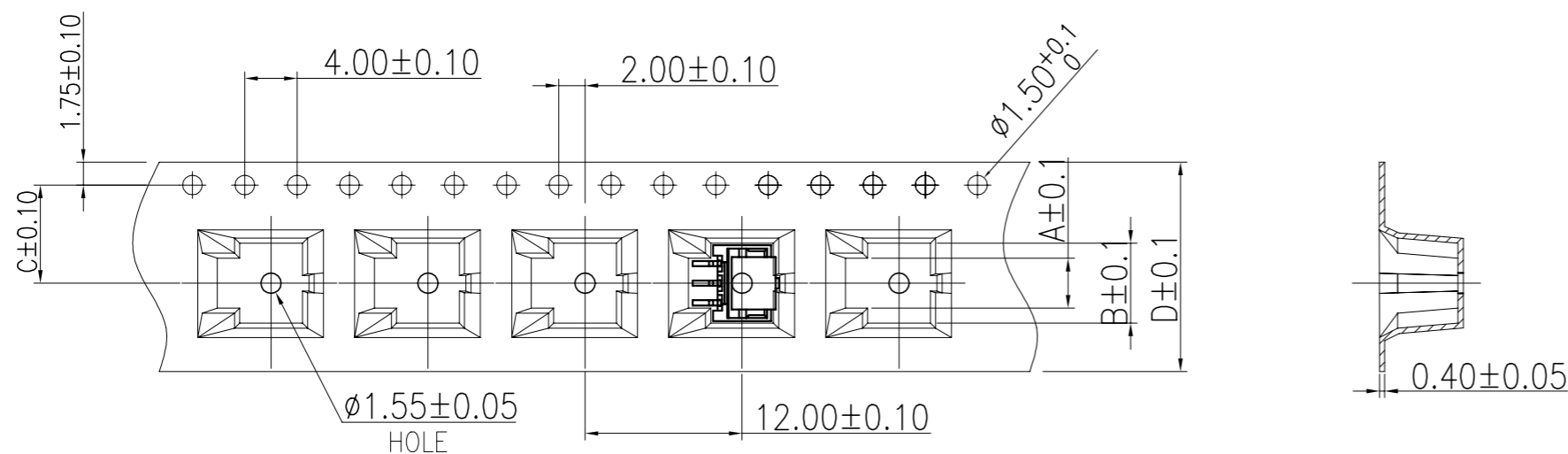
P	LTR	DESCRIPTION	DATE	DWN	APVD
-	-	SEE SHEET 1	-	-	-



POS. NO	DIM A	DIM B	DIM C	DIM D
2	2.30	4.60	7.50	16.00
3	3.80	6.10		
4	5.30	7.60		

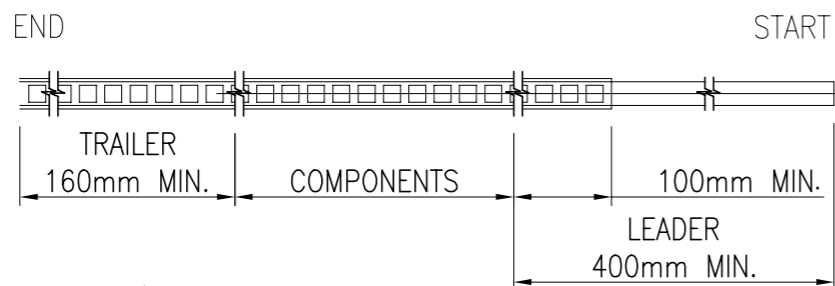


- NOTES:
1. 10 SPROCKET HOLE PITCH CUMULATIVE TOLERANCE: ±0.20mm
 2. CARRIER CAMBER NOT TO EXCEED 1mm IN 100mm.
 3. ALL DIMENSIONS MEET EIA-481-C REQUIREMENTS.
 4. MATERIAL: BLACK ANTI-STATIC POLYSTYRENE.
 5. THICKNESS: 0.40±0.05 mm.
 6. PACKING LENGTH PER 13" REEL : 12.4 METERS.
 7. COMPONENT LOAD PER 13" REEL : 950 PCS.
 8. PRODUCTS PLACEMENT MUST BE IN THE SAME DIRECTION.



THIS DRAWING IS A CONTROLLED DOCUMENT.		DWN	23SEP2020		TE Connectivity Ltd.
		CHK	Jone Ji		
		APVD	Wenke He		NAME 1.5P WTB VERTICAL TYPE WITH LATCH
		PRODUCT SPEC	Wenke He		
		APPLICATION SPEC	-		SIZE A3
		WEIGHT	-		
MATERIAL		FINISH	-		CAGE CODE 00779
SEE NOTE		-		DRAWING NO C=2380320	RESTRICTED TO -
CUSTOMER DRAWING			SCALE	N/A	SHEET 2 of 5
			REV		A

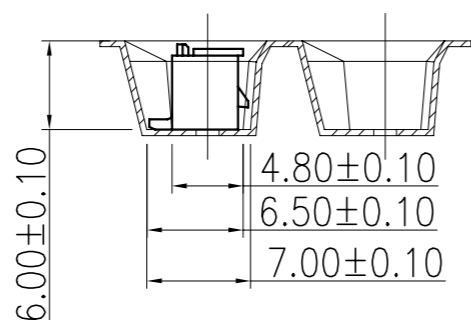
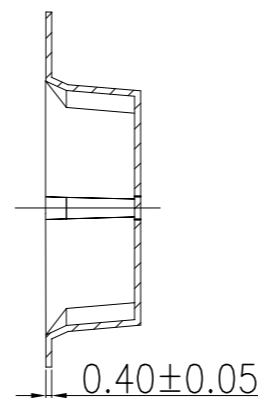
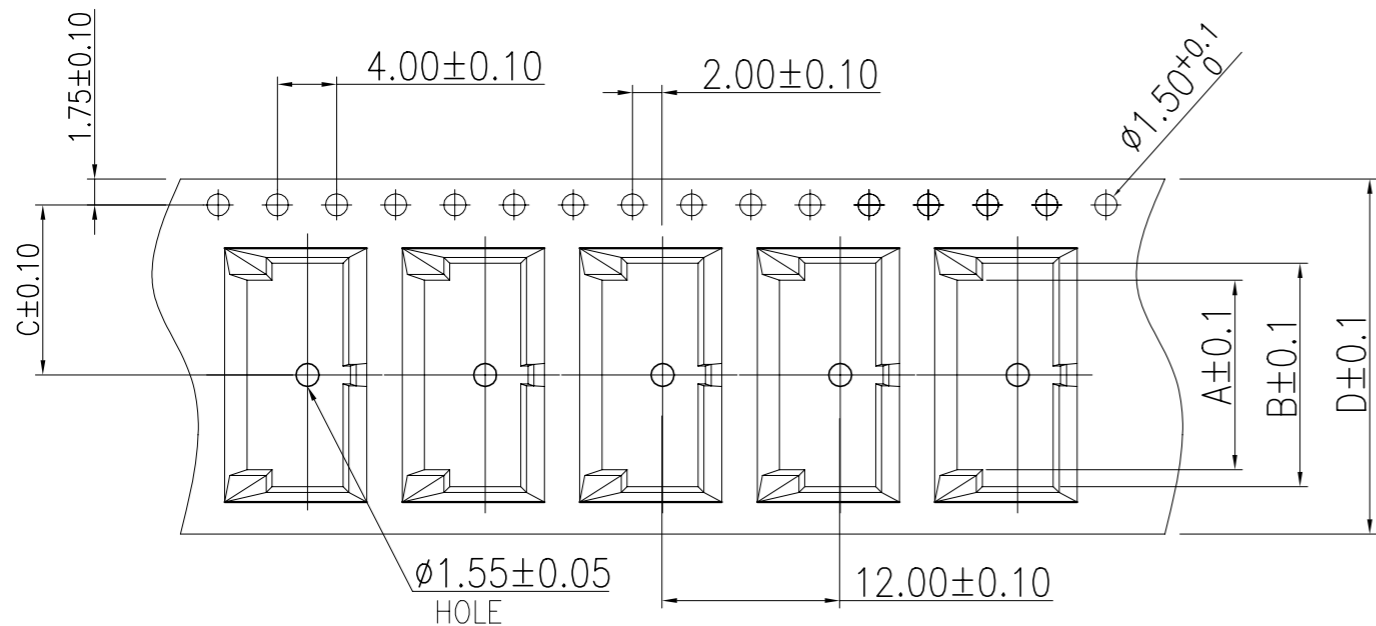
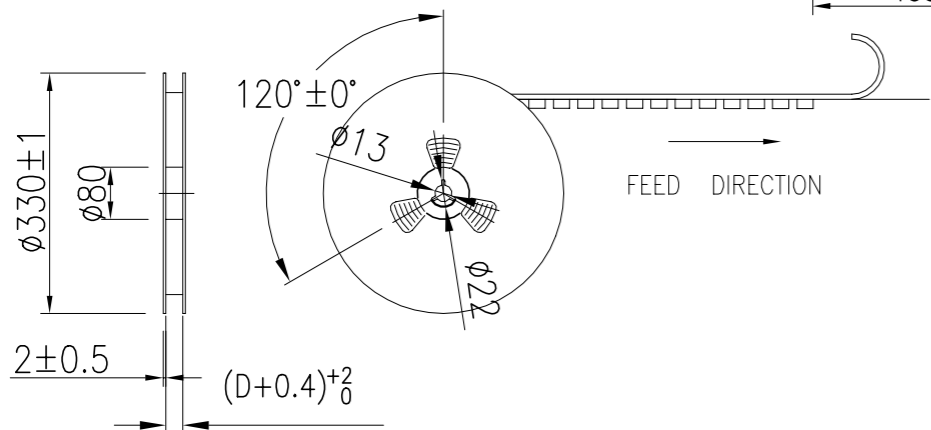
P	LTR	DESCRIPTION	DATE	DWN	APVD
-	-	SEE SHEET 1	-	-	-



POS. NO	DIM A	DIM B	DIM C	DIM D
5	6.80	9.10	11.5	24
6	8.30	10.60		
7	9.80	12.10		
8	11.30	13.60		
9	12.80	15.10		

NOTES:

- 10 SPROCKET HOLE PITCH CUMULATIVE TOLERANCE: ±0.20mm
- CARRIER CAMBER NOT TO EXCEED 1mm IN 100mm.
- ALL DIMENSIONS MEET EIA-481-C REQUIREMENTS.
- MATERIAL: BLACK ANTI-STATIC POLYSTYRENE.
- THICKNESS: 0.40±0.05 mm.
- PACKING LENGTH PER 13" REEL : 12.4 METERS.
- COMPONENT LOAD PER 13" REEL : 950 PCS.
- PRODUCTS PLACEMENT MUST BE IN THE SAME DIRECTION.



THIS DRAWING IS A CONTROLLED DOCUMENT.

DWN Jone Ji 23SEP2020

CHK Wenke He

APVD Wenke He

PRODUCT SPEC

APPLICATION SPEC

WEIGHT

CUSTOMER DRAWING

STE TE Connectivity Ltd.

1.5P WTB VERTICAL TYPE WITH LATCH

SIZE	CAGE CODE	DRAWING NO	RESTRICTED TO
A3	00779	C=2380320	-

SCALE	SHEET	REV
N/A	3 of 5	A

DIMENSIONS:	TOLERANCES UNLESS OTHERWISE SPECIFIED:
mm	
	0 PLC ± 0.5
	1 PLC ± 0.35
	2 PLC ± 0.25
	3 PLC ± 0.15
	4 PLC ± -
	ANGLES ± 2'

MATERIAL SEE NOTE

FINISH -

4

3

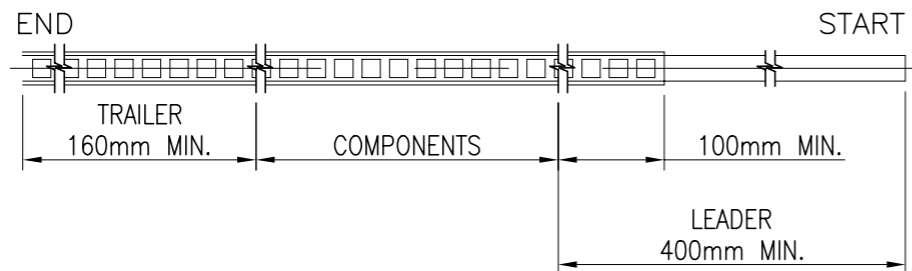
2

1

TE Connectivity. All Rights Reserved.

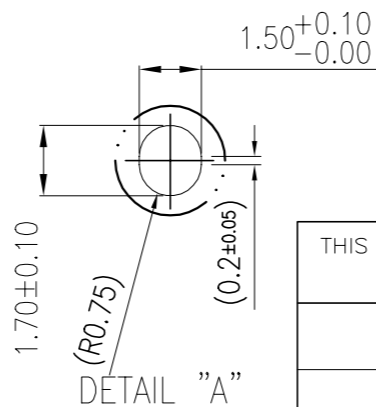
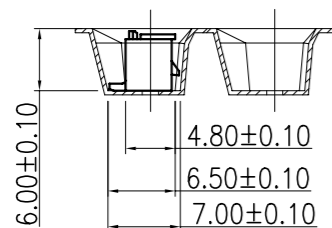
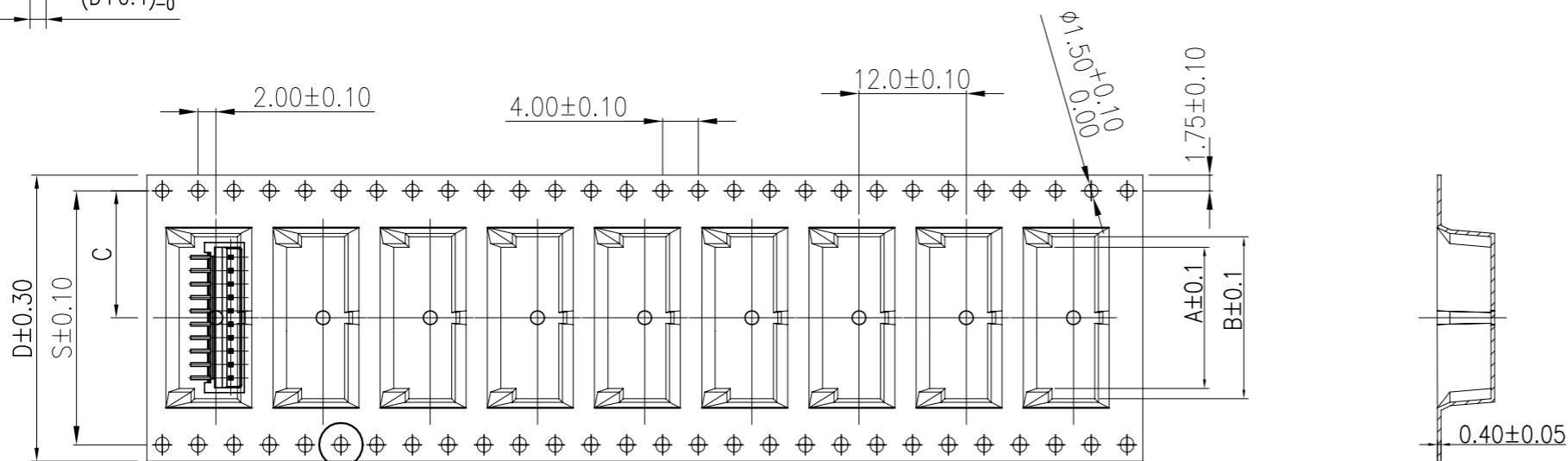
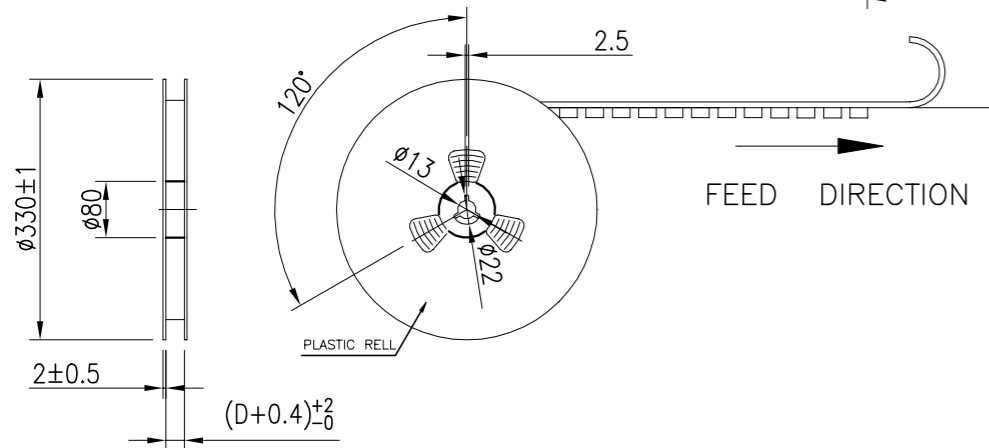
REVISIONS

P	LTR	DESCRIPTION	DATE	DWN	APVD
-	-	SEE SHEET 1	-	-	-



POS. NO	DIM A	DIM B	DIM C	DIM D	DIM S
10	14.3	16.6	14.2	32	28.4
11	15.8	18.1			
12	17.3	19.6			
13	18.8	21.1	20.2	44	40.4
14	20.3	22.6			
15	21.8	24.1			
16	23.3	25.6			
17	24.8	27.1			
18	26.3	28.6			
19	27.8	30.1			
20	29.3	31.6			

- NOTES:
- 10 SPROCKET HOLE PITCH CUMULATIVE TOLERANCE: ±0.20mm
 - CARRIER CAMBER NOT TO EXCEED 1mm IN 100mm.
 - ALL DIMENSIONS MEET EIA-481-C REQUIREMENTS.
 - MATERIAL: BLACK ANTI-STATIC POLYSTYRENE.
 - THICKNESS: 0.40±0.05 mm.
 - PACKING LENGTH PER 13" REEL : 12.4 METERS.
 - COMPONENT LOAD PER 13" REEL : 950 PCS.
 - PRODUCTS PLACEMENT MUST BE IN THE SAME DIRECTION.

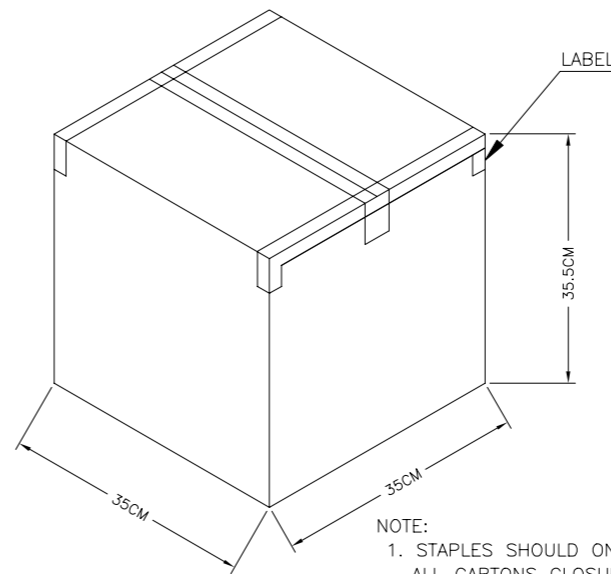
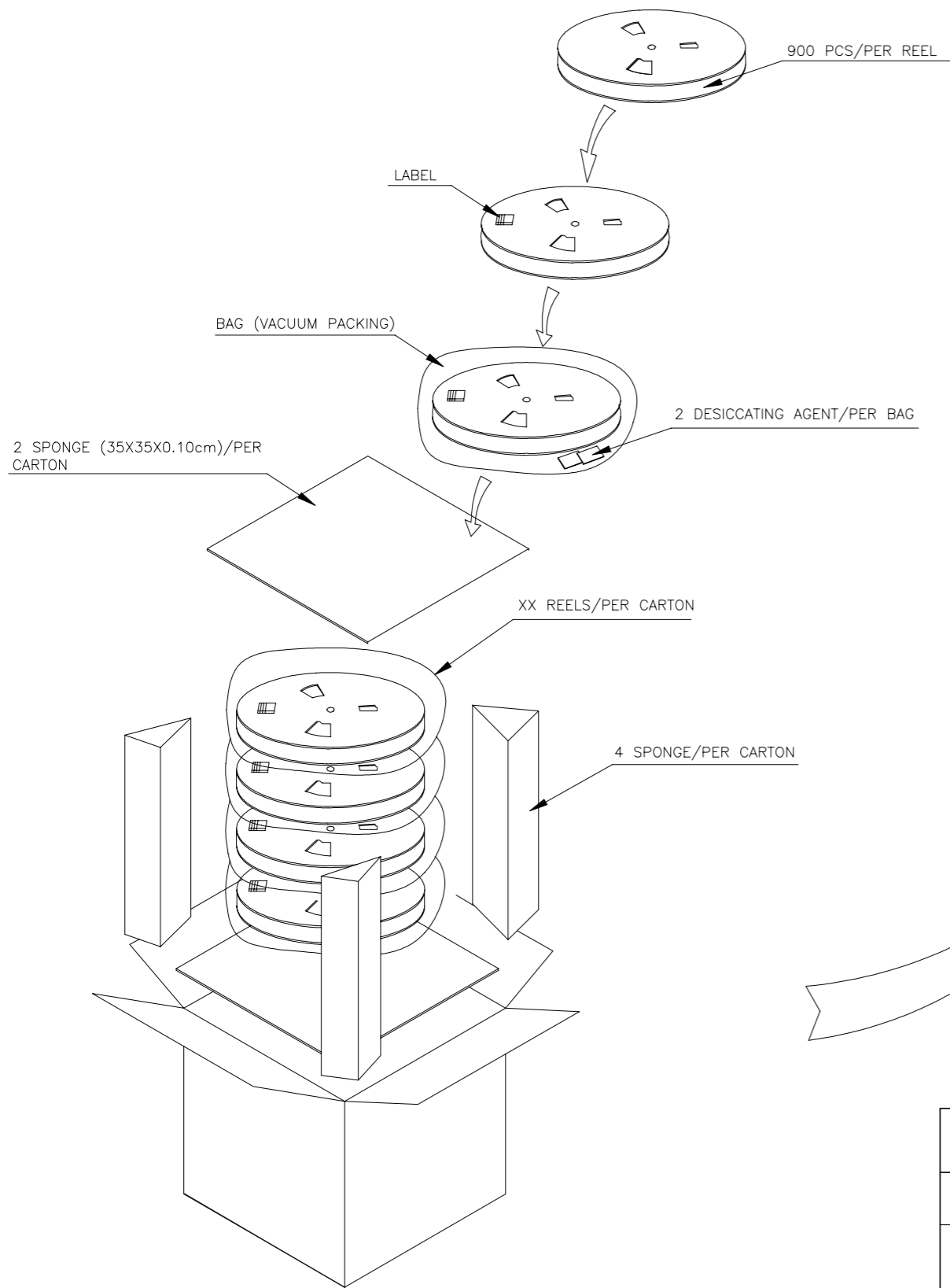


THIS DRAWING IS A CONTROLLED DOCUMENT.		DWN Jone Ji 23SEP2020	TE Connectivity Ltd.											
DIMENSIONS: mm		CHK Wenke He												
TOLERANCES UNLESS OTHERWISE SPECIFIED:		APVD Wenke He	NAME 1.5P WTB VERTICAL TYPE WITH LATCH											
<table border="1"> <tr><td>0 PLC</td><td>± 0.5</td></tr> <tr><td>1 PLC</td><td>± 0.35</td></tr> <tr><td>2 PLC</td><td>± 0.25</td></tr> <tr><td>3 PLC</td><td>± 0.15</td></tr> <tr><td>4 PLC</td><td>±</td></tr> <tr><td>ANGLES</td><td>± 2'</td></tr> </table>		0 PLC			± 0.5	1 PLC	± 0.35	2 PLC	± 0.25	3 PLC	± 0.15	4 PLC	±	ANGLES
0 PLC	± 0.5													
1 PLC	± 0.35													
2 PLC	± 0.25													
3 PLC	± 0.15													
4 PLC	±													
ANGLES	± 2'													
MATERIAL SEE NOTE		FINISH -	APPLICATION SPEC -											
		WEIGHT	SIZE A3	CAGE CODE 00779										
		CUSTOMER DRAWING	DRAWING NO C=2380320	RESTRICTED TO -										
		SCALE N/A	SHEET 4 of 5	REV A										

REVISIONS

P	LTR	DESCRIPTION	DATE	DWN	APVD
-	-	SEE SHEET 1	-	-	-

POS.NO.	PARTS PER PRIMARY CARTON	PARTS PER REEL	TOTAL REELS PER PRIMARY CARTON
2	15200(PCS)	950(PCS)	16
3	15200(PCS)	950(PCS)	16
4	15200(PCS)	950(PCS)	16
5	10450(PCS)	950(PCS)	11
6	10450(PCS)	950(PCS)	11
7	10450(PCS)	950(PCS)	11
8	10450(PCS)	950(PCS)	11
9	10450(PCS)	950(PCS)	11
10	8550(PCS)	950(PCS)	9
11	8550(PCS)	950(PCS)	9
12	8550(PCS)	950(PCS)	9
13	6650(PCS)	950(PCS)	7
14	6650(PCS)	950(PCS)	7
15	6650(PCS)	950(PCS)	7



NOTE:
 1. STAPLES SHOULD ONLY BE USED TO SET UP CARTON
 ALL CARTONS CLOSURES MUST BE DONE WITH TAPE.
 2. FILL PACKAGING REEL WITH THE QUANTITIES AS INDICATED
 IN THE CHART.

THIS DRAWING IS A CONTROLLED DOCUMENT.		DWN	23SEP2020		STE TE Connectivity Ltd.		
		CHK	Wenke He				
		APVD	Wenke He				
		PRODUCT SPEC	-				
DIMENSIONS: mm		TOLERANCES UNLESS OTHERWISE SPECIFIED:		NAME			
		0 PLC ± 0.5		1.5P WTB VERTICAL TYPE WITH LATCH			
		1 PLC ± 0.35					
MATERIAL		FINISH				SIZE	RESTRICTED TO
SEE NOTE		-				CAGE CODE	DRAWING NO
				WEIGHT			
				A3	00779		
				C=2380320			
				CUSTOMER DRAWING			
				SCALE	SHEET		
				N/A	5 of 5		
				REV	A		

X-ON Electronics

Largest Supplier of Electrical and Electronic Components

Click to view similar products for [Headers & Wire Housings](#) category:

Click to view products by [TE Connectivity](#) manufacturer:

Other Similar products are found below :

[892-18-020-10-001101](#) [58102-G61-06LF](#) [582553-1](#) [0009485154](#) [009176003701906](#) [0050291907](#) [LY20-4P-DT1-P1E-BR](#) [02.125.8002.8](#)
[609-3404](#) [61062-3](#) [61082-181009](#) [622-3653LF](#) [63453-116](#) [636-1030](#) [636-1427](#) [636-3427](#) [636-4007](#) [641938-9](#) [641991-4](#) [644827-2](#) [65817-](#)
[010LF](#) [65817-015LF](#) [65863-015LF](#) [66207-023LF](#) [67095-007LF](#) [67601157](#) [68645-018](#) [68648-049](#) [70.362.1628.0](#) [70-4210](#) [70-4226B](#) [70-](#)
[4853B](#) [707-5020](#) [707-5028](#) [71.350.2428.0](#) [71918-208LF](#) [71961-016LF](#) [733-134](#) [733-162](#) [754199-000](#) [760-3052](#) [787-8014-00](#) [79531-3000](#)
[FCN-360C032-B](#) [FCN-367T-T012/H](#) [FCN-723D010/2](#) [80.063.4001.1](#) [800-90-001-10-001000](#) [800-90-010-10-002000](#) [801-43-002-10-013000](#)