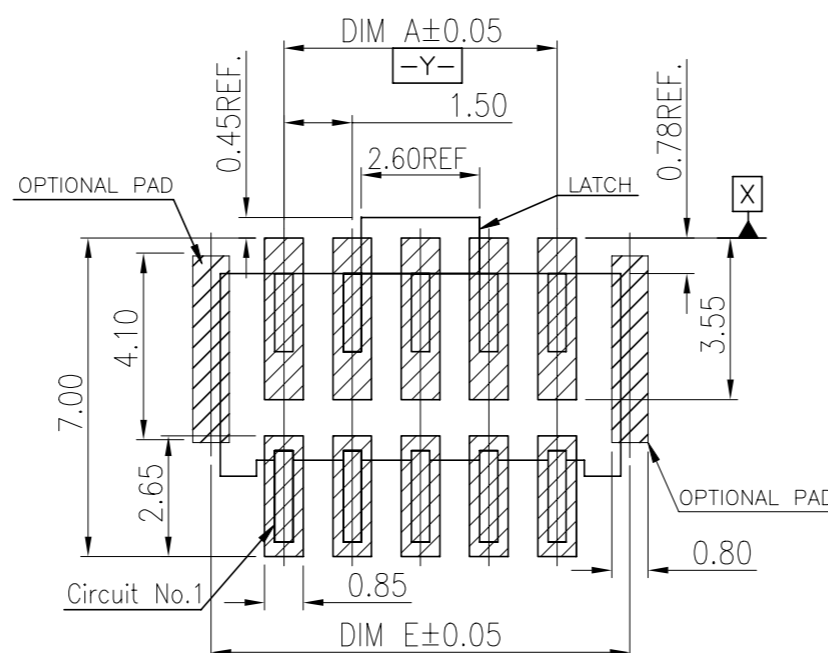
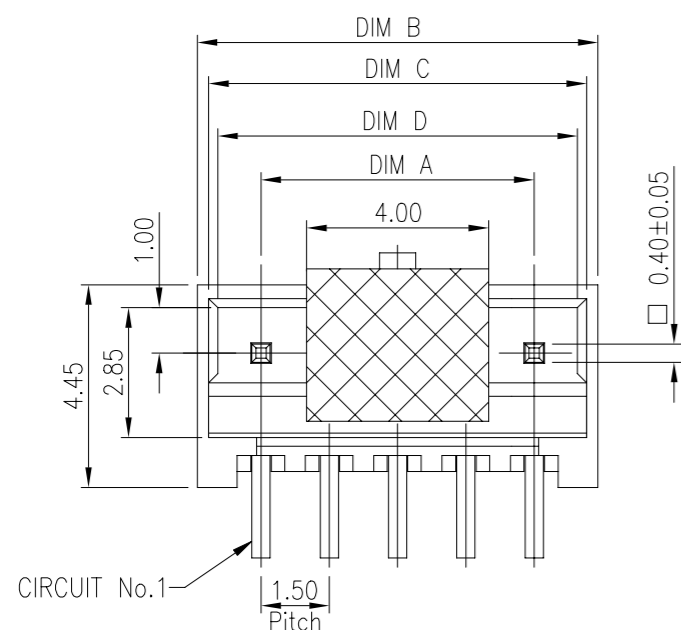


P	LTR	DESCRIPTION	DATE	DWN	APVD
A		ECR-21-108912	08MAY2021	T.Q	N.S

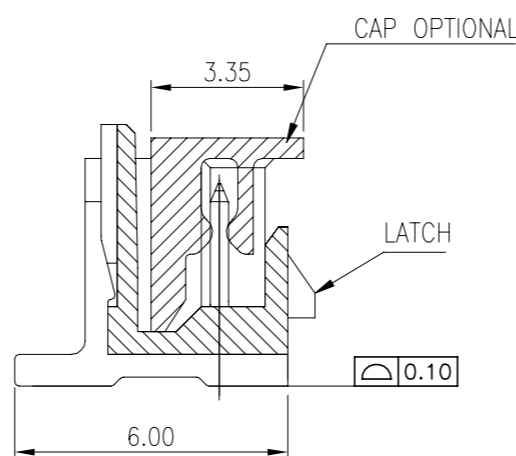
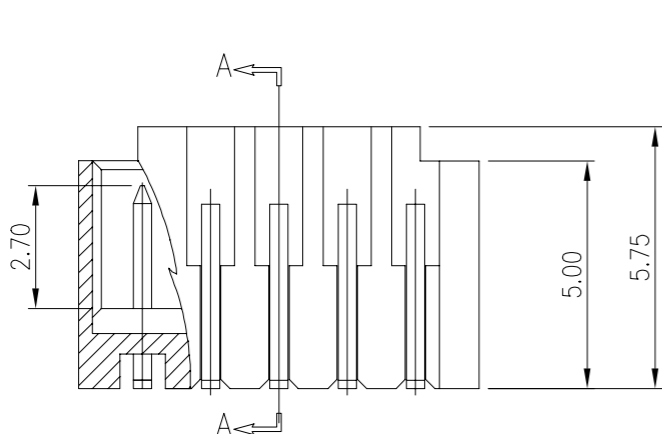
NOTES:

- MATERIAL:
 - HOUSING: HALOGEN FREE PLASTIC, UL94V-0.
 - CONTACT: COPPER ALLOY
- FINISH:
 - TYPE A: CONTACT: 50U" MIN. NICKEL UNDER PLATING OVERALL
100U" MIN. MATTE TIN PLATING ON CONTACT AREA AND SOLDER AREA.
 - TYPE B: CONTACT: 50U" MIN. NICKEL UNDER PLATING OVERALL
GOLD FLASH PLATING ON CONTACT AREA AND SOLDER AREA.
- REFLOW SOLDER CAPABLE TO 260°C, PER PRODUCTION SPEC.



RECOMMENDED PCB LAYOUT FOR *-2380320-*

TOLERANCE ± 0.05



SEC. A-A

COLOR	DIM.E	DIM.D	DIM.C	DIM.B	DIM.A	POS.NO.	PLATING SPEC.	
							TYPE B	TYPE A
BLACK	4.7	3.4	3.8	4.3	1.5	2	6-2380320-2	4-2380320-2
	6.2	4.9	5.3	5.8	3.0	3	6-2380320-3	4-2380320-3
	7.7	6.4	6.8	7.3	4.5	4	6-2380320-4	4-2380320-4
	9.2	7.9	8.3	8.8	6.0	5	6-2380320-5	4-2380320-5
	10.7	9.4	9.8	10.3	7.5	6	6-2380320-6	4-2380320-6
	12.2	10.9	11.3	11.8	9.0	7	6-2380320-7	4-2380320-7
	13.7	12.4	12.8	13.3	10.5	8	6-2380320-8	4-2380320-8
	15.2	13.9	14.3	14.8	12.0	9	6-2380320-9	4-2380320-9
	16.7	15.4	15.8	16.3	13.5	10	7-2380320-0	5-2380320-0
	18.2	16.9	17.3	17.8	15.0	11	7-2380320-1	5-2380320-1
	19.7	18.4	18.8	19.3	16.5	12	7-2380320-2	5-2380320-2
	21.2	19.9	20.3	20.8	18.0	13	7-2380320-3	5-2380320-3
	22.7	21.4	21.8	22.3	19.5	14	7-2380320-4	5-2380320-4
	24.2	22.9	23.3	23.8	21.0	15	7-2380320-5	5-2380320-5
	NATURAL	4.7	3.4	3.8	4.3	1.5	2	2-2380320-2
6.2		4.9	5.3	5.8	3.0	3	2-2380320-3	2380320-3
7.7		6.4	6.8	7.3	4.5	4	2-2380320-4	2380320-4
9.2		7.9	8.3	8.8	6.0	5	2-2380320-5	2380320-5
10.7		9.4	9.8	10.3	7.5	6	2-2380320-6	2380320-6
12.2		10.9	11.3	11.8	9.0	7	2-2380320-7	2380320-7
13.7		12.4	12.8	13.3	10.5	8	2-2380320-8	2380320-8
15.2		13.9	14.3	14.8	12.0	9	2-2380320-9	2380320-9
16.7		15.4	15.8	16.3	13.5	10	3-2380320-0	1-2380320-0
18.2		16.9	17.3	17.8	15.0	11	3-2380320-1	1-2380320-1
19.7		18.4	18.8	19.3	16.5	12	3-2380320-2	1-2380320-2
21.2		19.9	20.3	20.8	18.0	13	3-2380320-3	1-2380320-3
22.7		21.4	21.8	22.3	19.5	14	3-2380320-4	1-2380320-4
24.2		22.9	23.3	23.8	21.0	15	3-2380320-5	1-2380320-5

THIS DRAWING IS A CONTROLLED DOCUMENT.		DWN	Jone Ji	23SEP2020
DIMENSIONS:		CHK	Wenke He	-
mm		APVD	Wenke He	-
TOLERANCES UNLESS OTHERWISE SPECIFIED:		PRODUCT SPEC	-	-
0 PLC ± 0.5		APPLICATION SPEC	-	-
1 PLC ± 0.35		WEIGHT	-	-
2 PLC ± 0.25		CUSTOMER DRAWING	-	-
3 PLC ± 0.15		SCALE	N/A	SHEET
4 PLC ± -		RESTRICTED TO	-	REV
ANGLES ± 2'		1 of 5	-	A
MATERIAL SEE NOTE		FINISH	-	-



1.5P WTB VERTICAL TYPE WITH LATCH

SIZE	CAGE CODE	DRAWING NO	RESTRICTED TO
A3	00779	C=2380320	-

4

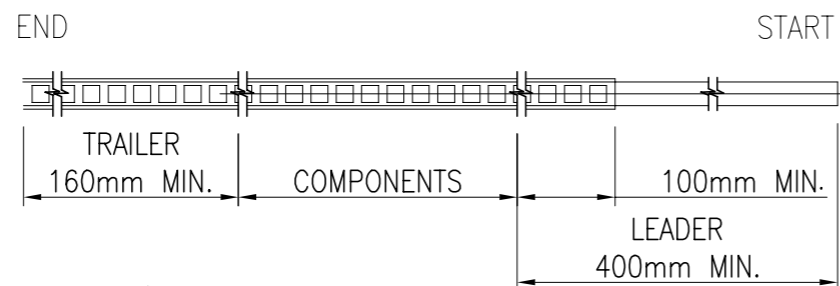
3

2

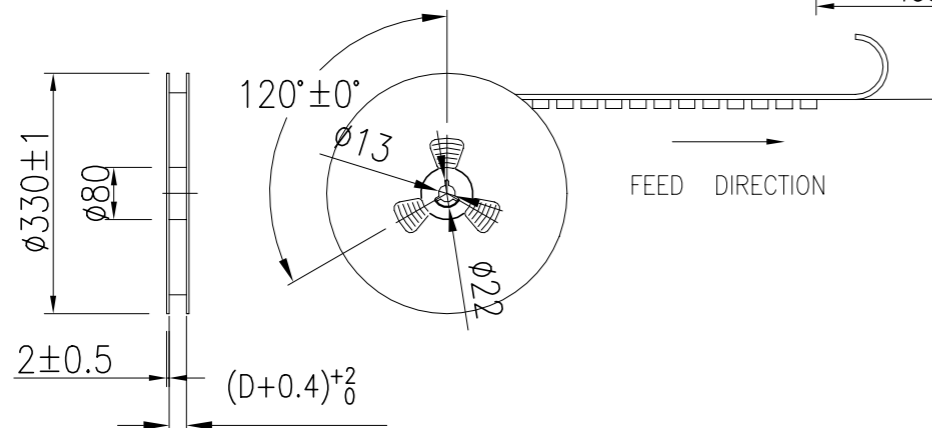
1

REVISIONS

P	LTR	DESCRIPTION	DATE	DWN	APVD
-	-	SEE SHEET 1	-	-	-

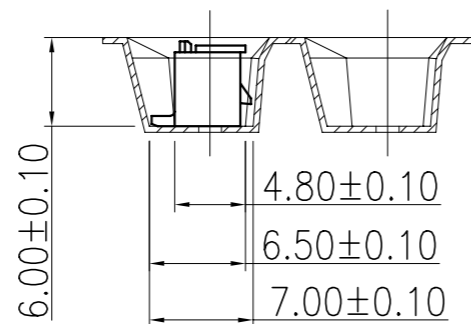
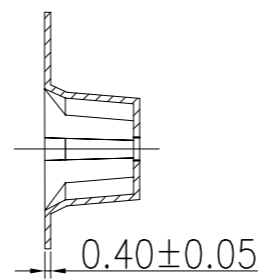
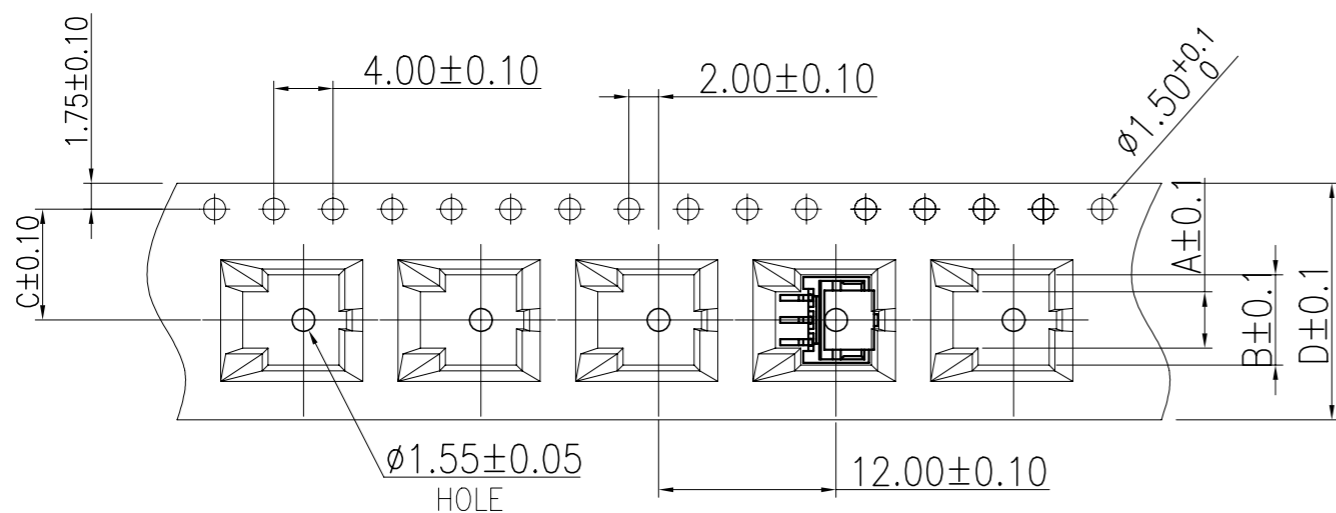


POS. NO	DIM A	DIM B	DIM C	DIM D
2	2.30	4.60	7.50	16.00
3	3.80	6.10		
4	5.30	7.60		



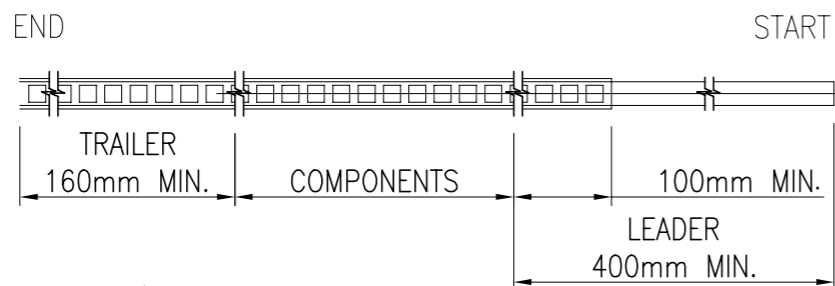
NOTES:

1. 10 SPROCKET HOLE PITCH CUMULATIVE TOLERANCE: ±0.20mm
2. CARRIER CAMBER NOT TO EXCEED 1mm IN 100mm.
3. ALL DIMENSIONS MEET EIA-481-C REQUIREMENTS.
4. MATERIAL: BLACK ANTI-STATIC POLYSTYRENE.
5. THICKNESS: 0.40±0.05 mm.
6. PACKING LENGTH PER 13" REEL : 12.4 METERS.
7. COMPONENT LOAD PER 13" REEL : 950 PCS.
8. PRODUCTS PLACEMENT MUST BE IN THE SAME DIRECTION.



THIS DRAWING IS A CONTROLLED DOCUMENT.		DWN	Jone Ji	23SEP2020	STE TE Connectivity Ltd.	
		CHK	Wenke He	-		
		APVD	Wenke He	-	NAME	
		PRODUCT SPEC			1.5P WTB VERTICAL TYPE WITH LATCH	
		APPLICATION SPEC			-	
		SIZE	A3	CAGE CODE	00779	DRAWING NO
		WEIGHT	-	C=2380320		RESTRICTED TO
		CUSTOMER DRAWING			SCALE	N/A
		SHEET			2 of 5	REV
					A	

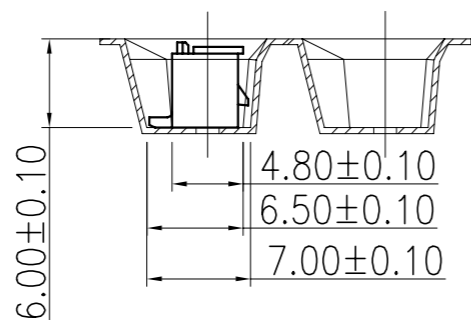
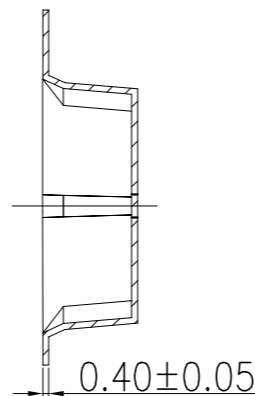
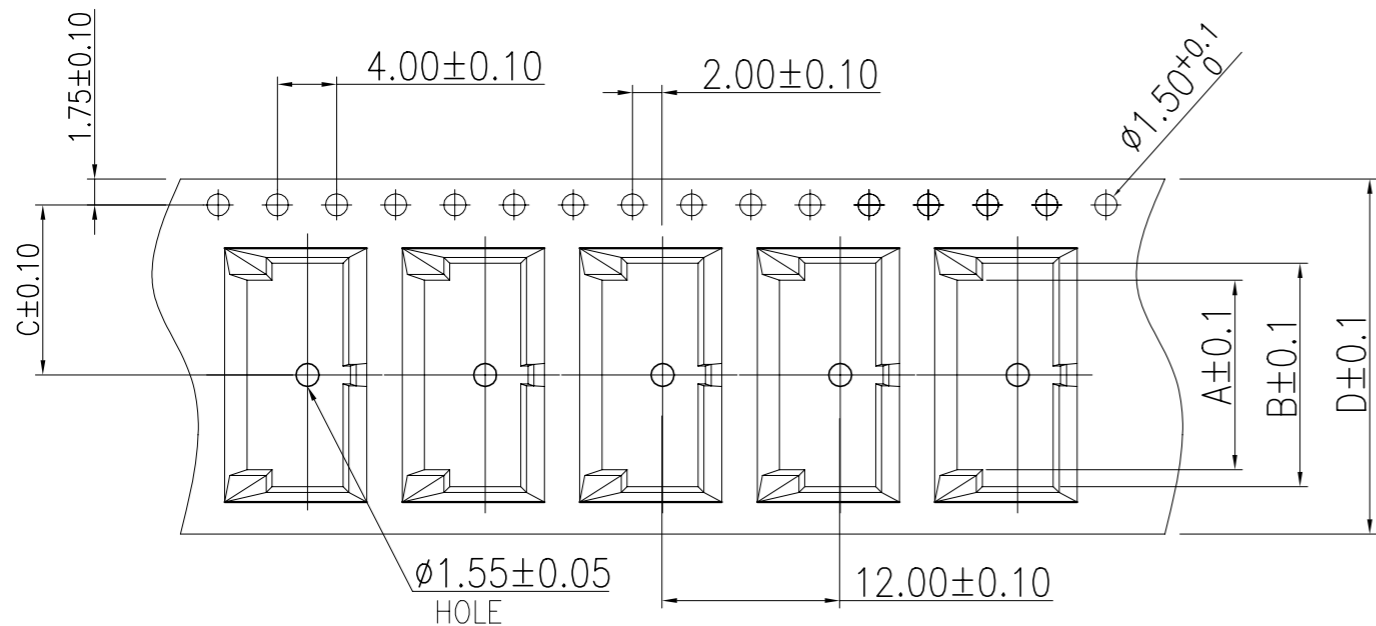
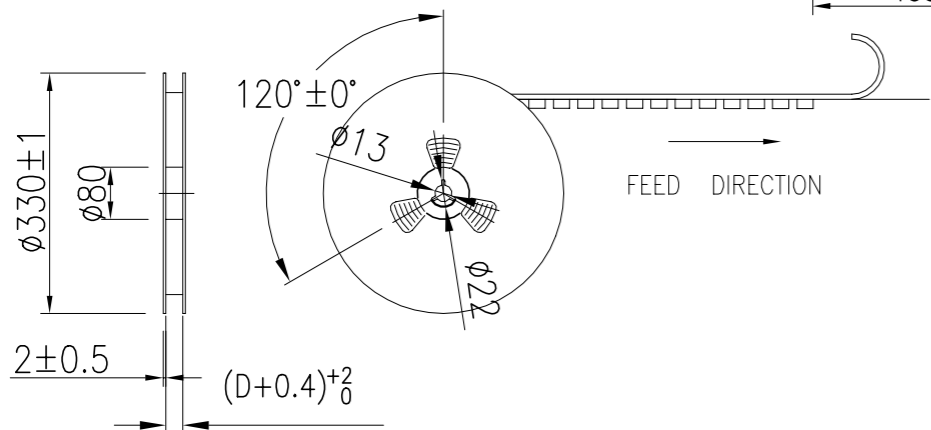
P	LTR	DESCRIPTION	DATE	DWN	APVD
-	-	SEE SHEET 1	-	-	-



POS. NO	DIM A	DIM B	DIM C	DIM D
5	6.80	9.10	11.5	24
6	8.30	10.60		
7	9.80	12.10		
8	11.30	13.60		
9	12.80	15.10		

NOTES:

- 10 SPROCKET HOLE PITCH CUMULATIVE TOLERANCE: ±0.20mm
- CARRIER CAMBER NOT TO EXCEED 1mm IN 100mm.
- ALL DIMENSIONS MEET EIA-481-C REQUIREMENTS.
- MATERIAL: BLACK ANTI-STATIC POLYSTYRENE.
- THICKNESS: 0.40±0.05 mm.
- PACKING LENGTH PER 13" REEL : 12.4 METERS.
- COMPONENT LOAD PER 13" REEL : 950 PCS.
- PRODUCTS PLACEMENT MUST BE IN THE SAME DIRECTION.



THIS DRAWING IS A CONTROLLED DOCUMENT.

DWN Jone Ji 23SEP2020

CHK Wenke He

APVD Wenke He

PRODUCT SPEC

APPLICATION SPEC

WEIGHT

CUSTOMER DRAWING

STE TE Connectivity Ltd.

1.5P WTB VERTICAL TYPE WITH LATCH

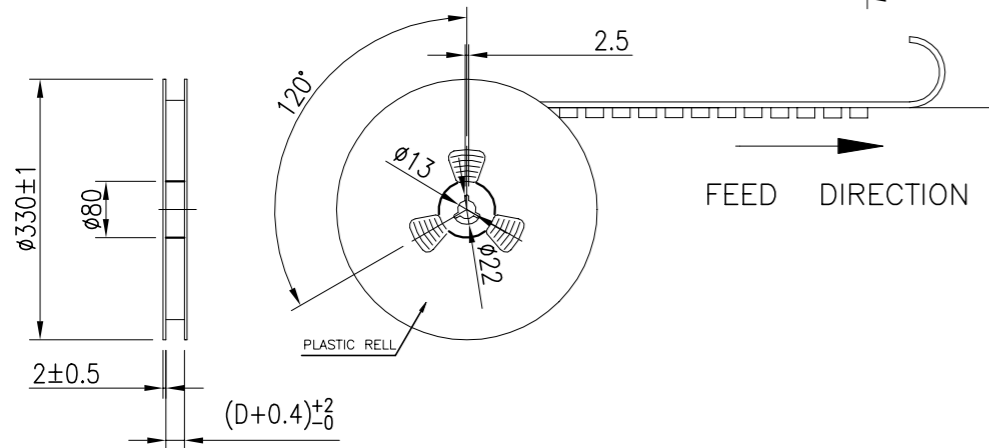
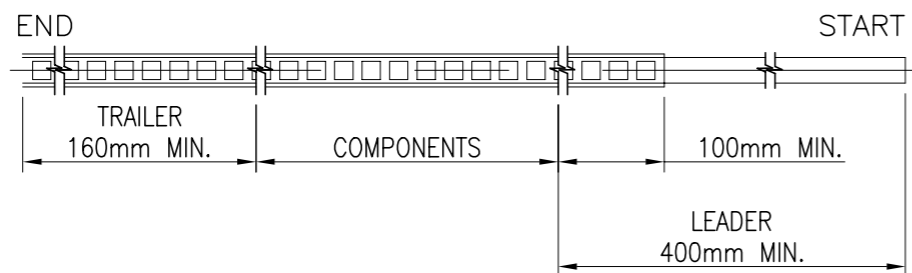
SIZE	CAGE CODE	DRAWING NO	RESTRICTED TO
A3	00779	C=2380320	-

DIMENSIONS:	TOLERANCES UNLESS OTHERWISE SPECIFIED:
mm	
0 PLC	± 0.5
1 PLC	± 0.35
2 PLC	± 0.25
3 PLC	± 0.15
4 PLC	± -
ANGLES	± 2'

MATERIAL SEE NOTE

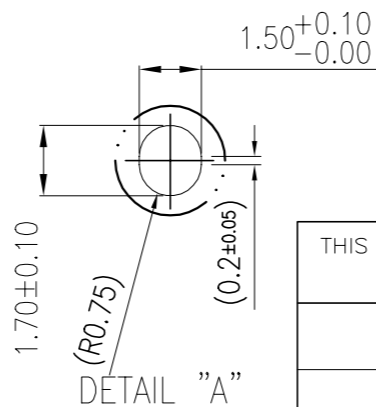
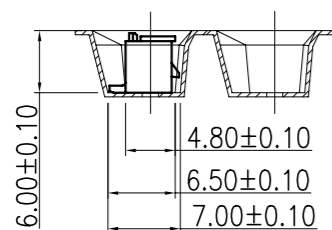
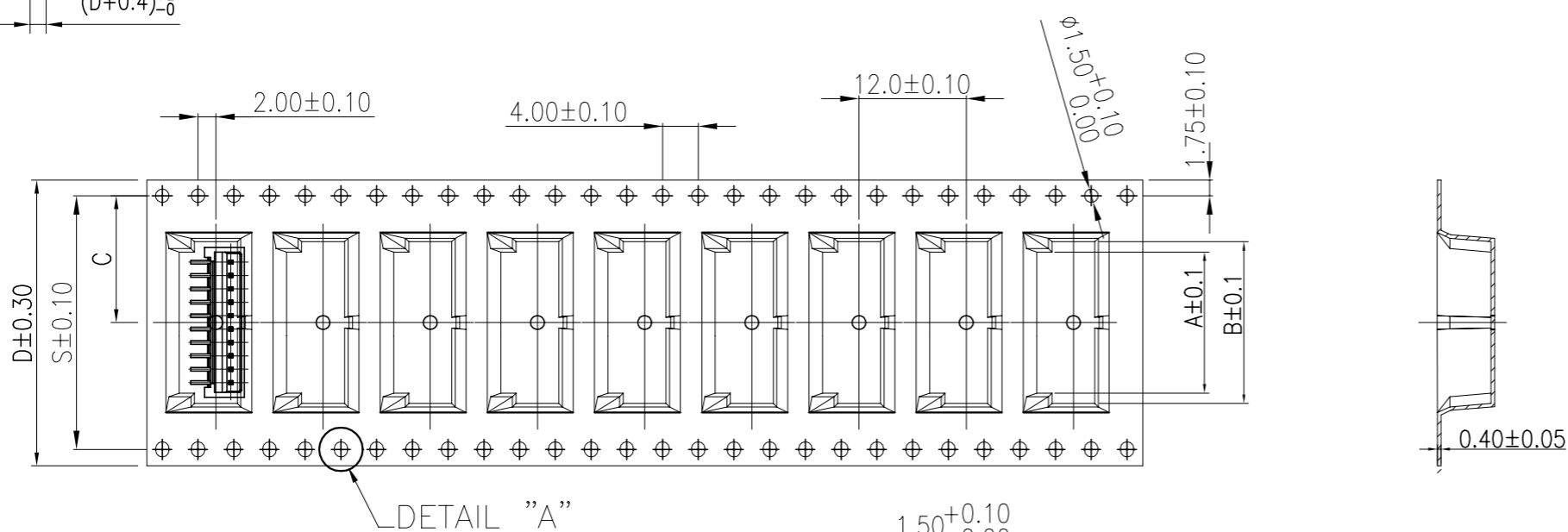
FINISH -

P	LTR	DESCRIPTION	DATE	DWN	APVD
-	-	SEE SHEET 1	-	-	-



POS. NO	DIM A	DIM B	DIM C	DIM D	DIM S
10	14.3	16.6	14.2	32	28.4
11	15.8	18.1			
12	17.3	19.6			
13	18.8	21.1	20.2	44	40.4
14	20.3	22.6			
15	21.8	24.1			
16	23.3	25.6			
17	24.8	27.1			
18	26.3	28.6			
19	27.8	30.1			
20	29.3	31.6			

- NOTES:
- 10 SPROCKET HOLE PITCH CUMULATIVE TOLERANCE: $\pm 0.20\text{mm}$
 - CARRIER CAMBER NOT TO EXCEED 1mm IN 100mm.
 - ALL DIMENSIONS MEET EIA-481-C REQUIREMENTS.
 - MATERIAL: BLACK ANTI-STATIC POLYSTYRENE.
 - THICKNESS: $0.40 \pm 0.05\text{ mm}$.
 - PACKING LENGTH PER 13" REEL : 12.4 METERS.
 - COMPONENT LOAD PER 13" REEL : 950 PCS.
 - PRODUCTS PLACEMENT MUST BE IN THE SAME DIRECTION.

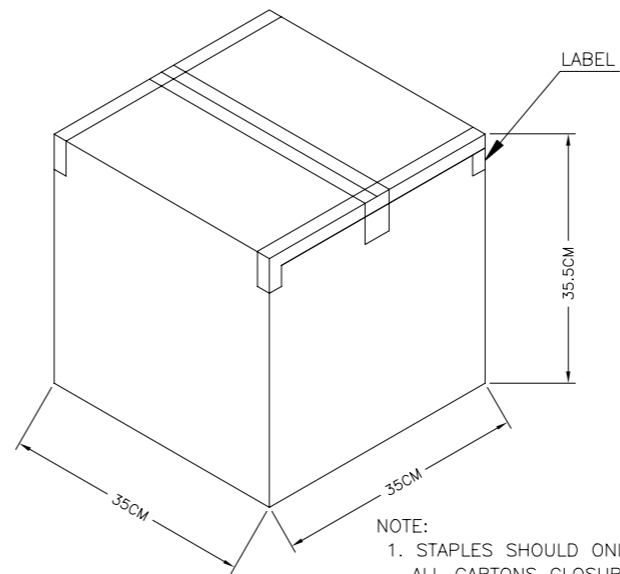
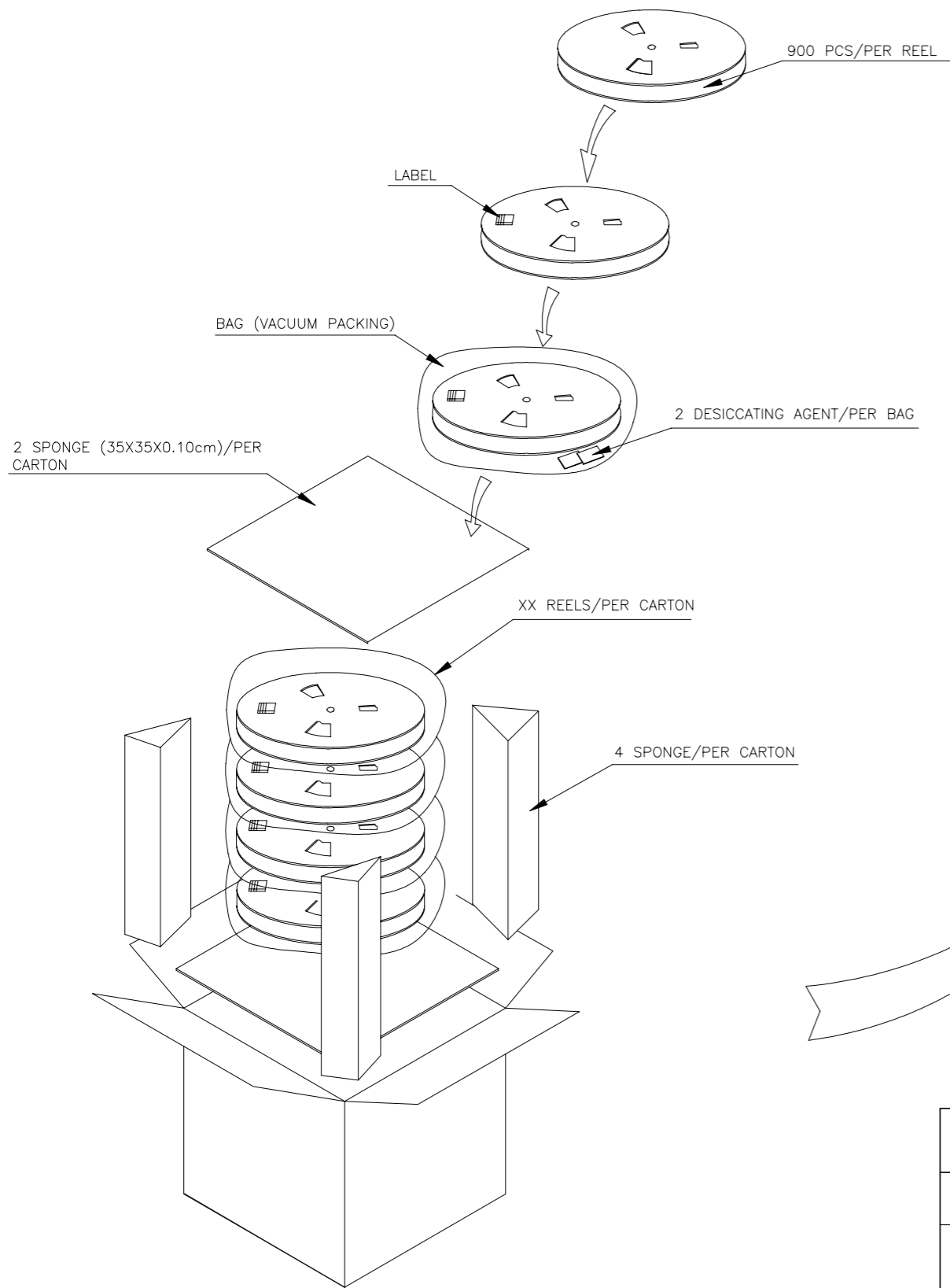


THIS DRAWING IS A CONTROLLED DOCUMENT.		DWN Jone Ji 23SEP2020	TE Connectivity Ltd.											
DIMENSIONS: mm		CHK Wenke He												
TOLERANCES UNLESS OTHERWISE SPECIFIED:		APVD Wenke He	NAME 1.5P WTB VERTICAL TYPE WITH LATCH											
<table border="1"> <tr><td>0 PLC</td><td>± 0.5</td></tr> <tr><td>1 PLC</td><td>± 0.35</td></tr> <tr><td>2 PLC</td><td>± 0.25</td></tr> <tr><td>3 PLC</td><td>± 0.15</td></tr> <tr><td>4 PLC</td><td>\pm</td></tr> <tr><td>ANGLES</td><td>$\pm 2'$</td></tr> </table>		0 PLC			± 0.5	1 PLC	± 0.35	2 PLC	± 0.25	3 PLC	± 0.15	4 PLC	\pm	ANGLES
0 PLC	± 0.5													
1 PLC	± 0.35													
2 PLC	± 0.25													
3 PLC	± 0.15													
4 PLC	\pm													
ANGLES	$\pm 2'$													
MATERIAL SEE NOTE		FINISH -	APPLICATION SPEC -											
		WEIGHT	SIZE A3	CAGE CODE 00779										
		CUSTOMER DRAWING	DRAWING NO C=2380320	RESTRICTED TO -										
		SCALE N/A	SHEET 4 of 5	REV A										

REVISIONS

P	LTR	DESCRIPTION	DATE	DWN	APVD
-	-	SEE SHEET 1	-	-	-

POS.NO.	PARTS PER PRIMARY CARTON	PARTS PER REEL	TOTAL REELS PER PRIMARY CARTON
2	15200(PCS)	950(PCS)	16
3	15200(PCS)	950(PCS)	16
4	15200(PCS)	950(PCS)	16
5	10450(PCS)	950(PCS)	11
6	10450(PCS)	950(PCS)	11
7	10450(PCS)	950(PCS)	11
8	10450(PCS)	950(PCS)	11
9	10450(PCS)	950(PCS)	11
10	8550(PCS)	950(PCS)	9
11	8550(PCS)	950(PCS)	9
12	8550(PCS)	950(PCS)	9
13	6650(PCS)	950(PCS)	7
14	6650(PCS)	950(PCS)	7
15	6650(PCS)	950(PCS)	7



NOTE:
 1. STAPLES SHOULD ONLY BE USED TO SET UP CARTON
 ALL CARTONS CLOSURES MUST BE DONE WITH TAPE.
 2. FILL PACKAGING REEL WITH THE QUANTITIES AS INDICATED IN THE CHART.

THIS DRAWING IS A CONTROLLED DOCUMENT.		DWN Jone Ji 23SEP2020	TE Connectivity Ltd.	
DIMENSIONS: mm		CHK Wenke He		
		APVD Wenke He	NAME	
TOLERANCES UNLESS OTHERWISE SPECIFIED:		PRODUCT SPEC	1.5P WTB VERTICAL TYPE WITH LATCH	
0 PLC ± 0.5		APPLICATION SPEC	-	
1 PLC ± 0.35		WEIGHT	SIZE	CAGE CODE
2 PLC ± 0.25		SEE NOTE	A3	00779
3 PLC ± 0.15			DRAWING NO	C=2380320
4 PLC ± -		CUSTOMER DRAWING		-
ANGLES ± 2'		SCALE	N/A	SHEET
FINISH		5 of 5		REV
-		A		

X-ON Electronics

Largest Supplier of Electrical and Electronic Components

Click to view similar products for [Headers & Wire Housings](#) category:

Click to view products by [TE Connectivity](#) manufacturer:

Other Similar products are found below :

[892-18-020-10-001101](#) [58102-G61-06LF](#) [582553-1](#) [0009485154](#) [009176003701906](#) [0050291907](#) [LY20-4P-DT1-P1E-BR](#) [02.125.8002.8](#)
[609-3404](#) [61062-3](#) [61082-181009](#) [622-3653LF](#) [63453-116](#) [636-1030](#) [636-1427](#) [636-3427](#) [636-4007](#) [641938-9](#) [641991-4](#) [644827-2](#) [65817-010LF](#) [65817-015LF](#) [65863-015LF](#) [66207-023LF](#) [67095-007LF](#) [67601157](#) [68645-018](#) [68648-049](#) [70.362.1628.0](#) [70-4210](#) [70-4226B](#) [70-4853B](#) [707-5020](#) [707-5028](#) [71.350.2428.0](#) [71918-208LF](#) [71961-016LF](#) [733-134](#) [733-162](#) [754199-000](#) [760-3052](#) [787-8014-00](#) [79531-3000](#)
[FCN-360C032-B](#) [FCN-367T-T012/H](#) [FCN-723D010/2](#) [80.063.4001.1](#) [800-90-001-10-001000](#) [800-90-010-10-002000](#) [801-43-002-10-013000](#)