

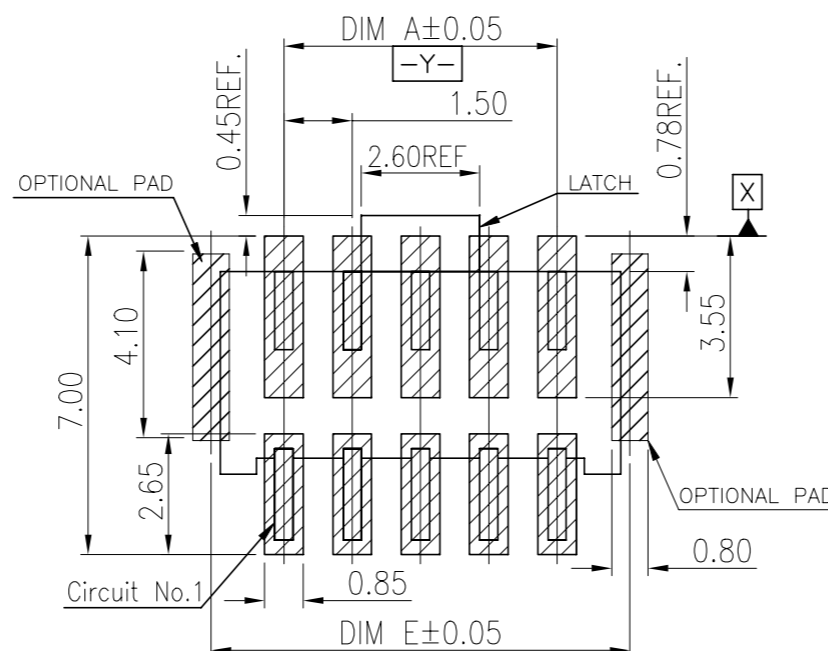
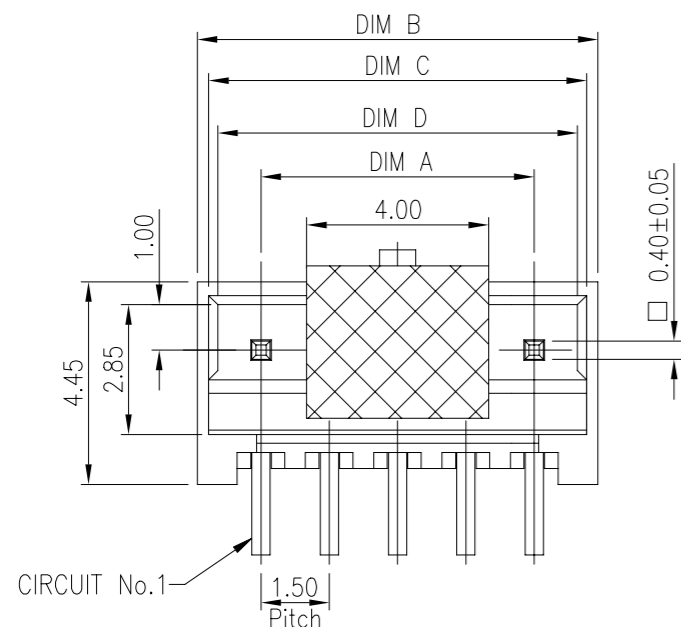
© - TE Connectivity. All Rights Reserved.

REVISIONS

P	LTR	DESCRIPTION	DATE	DWN	APVD
A		ECR-21-108912	08MAY2021	T.Q	N.S

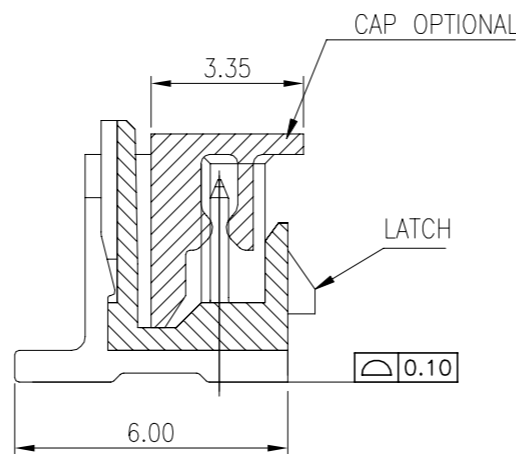
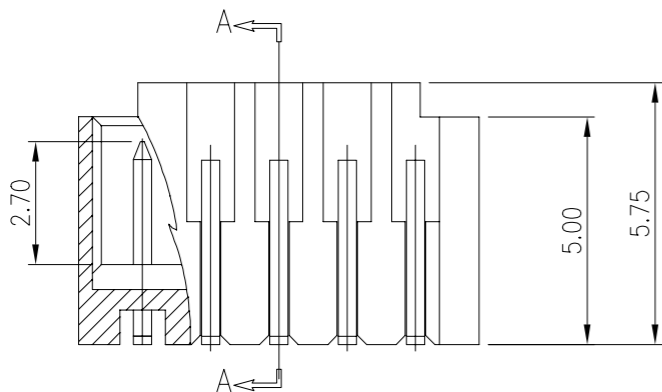
NOTES:

- 1. MATERIAL:
  - 1.1 HOUSING: HALOGEN FREE PLASTIC,UL94V-0.
  - 1.2 CONTACT: COPPER ALLOY
- 2.FINISH:
  - TYPE A: CONTACT: 50U" MIN. NICKEL UNDER PLATING OVERALL  
100U" MIN. MATTE TIN PLATING ON CONTACT AREA AND SOLDER AREA.
  - TYPE B: CONTACT: 50U" MIN. NICKEL UNDER PLATING OVERALL  
GOLD FLASH PLATING ON CONTACT AREA AND SOLDER AREA.
- 3. REFLOW SOLDER CAPABLE TO 260°C, PER PRODUCTION SPEC.



RECOMMENDED PCB LAYOUT FOR \*-2380320-\*

TOLERANCE ± 0.05



SEC. A-A

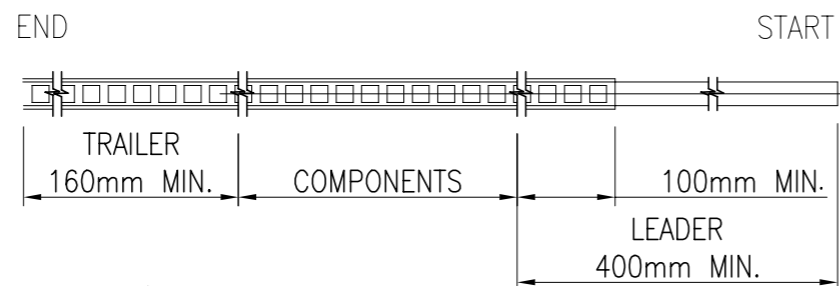
BLACK	4.7	3.4	3.8	4.3	1.5	2	6-2380320-2	4-2380320-2
	6.2	4.9	5.3	5.8	3.0	3	6-2380320-3	4-2380320-3
	7.7	6.4	6.8	7.3	4.5	4	6-2380320-4	4-2380320-4
	9.2	7.9	8.3	8.8	6.0	5	6-2380320-5	4-2380320-5
	10.7	9.4	9.8	10.3	7.5	6	6-2380320-6	4-2380320-6
	12.2	10.9	11.3	11.8	9.0	7	6-2380320-7	4-2380320-7
	13.7	12.4	12.8	13.3	10.5	8	6-2380320-8	4-2380320-8
	15.2	13.9	14.3	14.8	12.0	9	6-2380320-9	4-2380320-9
	16.7	15.4	15.8	16.3	13.5	10	7-2380320-0	5-2380320-0
	18.2	16.9	17.3	17.8	15.0	11	7-2380320-1	5-2380320-1
	19.7	18.4	18.8	19.3	16.5	12	7-2380320-2	5-2380320-2
	21.2	19.9	20.3	20.8	18.0	13	7-2380320-3	5-2380320-3
	22.7	21.4	21.8	22.3	19.5	14	7-2380320-4	5-2380320-4
	24.2	22.9	23.3	23.8	21.0	15	7-2380320-5	5-2380320-5
	NATURAL	4.7	3.4	3.8	4.3	1.5	2	2-2380320-2
6.2		4.9	5.3	5.8	3.0	3	2-2380320-3	2380320-3
7.7		6.4	6.8	7.3	4.5	4	2-2380320-4	2380320-4
9.2		7.9	8.3	8.8	6.0	5	2-2380320-5	2380320-5
10.7		9.4	9.8	10.3	7.5	6	2-2380320-6	2380320-6
12.2		10.9	11.3	11.8	9.0	7	2-2380320-7	2380320-7
13.7		12.4	12.8	13.3	10.5	8	2-2380320-8	2380320-8
15.2		13.9	14.3	14.8	12.0	9	2-2380320-9	2380320-9
16.7		15.4	15.8	16.3	13.5	10	3-2380320-0	1-2380320-0
18.2		16.9	17.3	17.8	15.0	11	3-2380320-1	1-2380320-1
19.7		18.4	18.8	19.3	16.5	12	3-2380320-2	1-2380320-2
21.2		19.9	20.3	20.8	18.0	13	3-2380320-3	1-2380320-3
22.7		21.4	21.8	22.3	19.5	14	3-2380320-4	1-2380320-4
24.2		22.9	23.3	23.8	21.0	15	3-2380320-5	1-2380320-5
COLOR		DIM.E	DIM.D	DIM.C	DIM.B	DIM.A	POS.NO.	TYPE B
PLATING SPEC.								
P/N								

THIS DRAWING IS A CONTROLLED DOCUMENT.

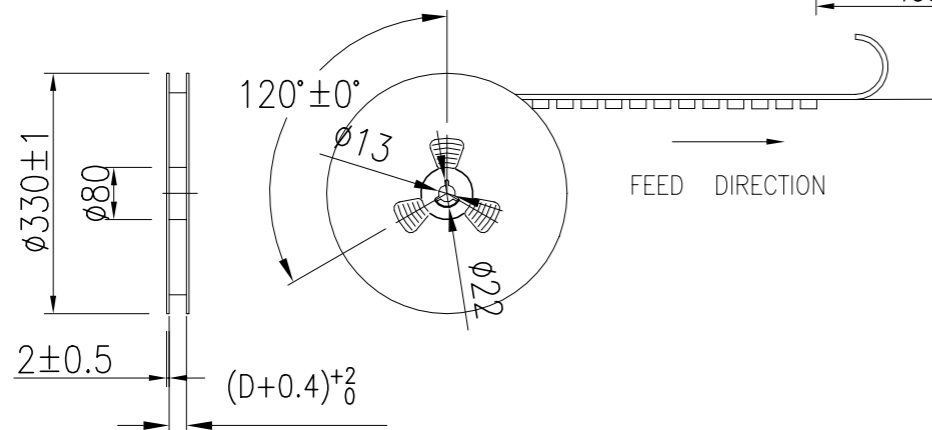
DWN	Jone Ji	23SEP2020
CHK	Wenke He	-
APVD	Wenke He	-
PRODUCT SPEC	-	-
APPLICATION SPEC	-	-
WEIGHT	-	-
MATERIAL	SEE NOTE	-
FINISH	-	-

<p>TE Connectivity Ltd.</p> <p>1.5P WTB VERTICAL TYPE WITH LATCH</p>				SIZE	CAGE CODE	DRAWING NO	RESTRICTED TO	
				A3	00779	C=2380320	-	
CUSTOMER DRAWING				SCALE	SHEET	REV		
				N/A	1 of 5	A		

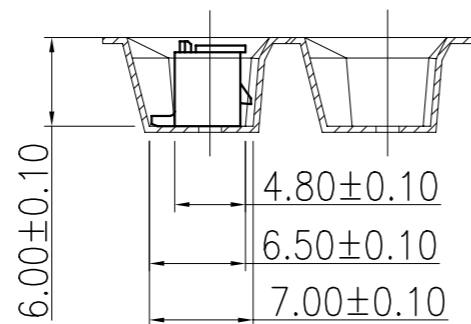
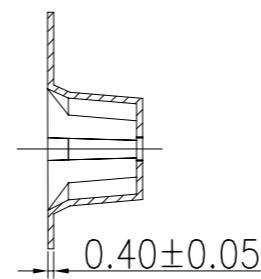
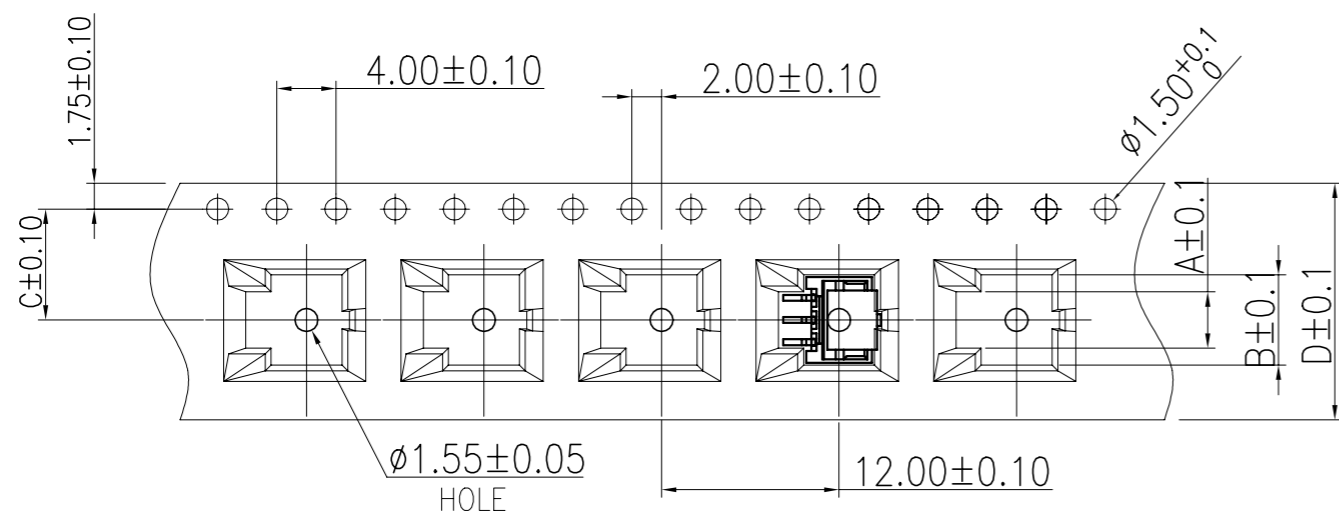
P	LTR	DESCRIPTION	DATE	DWN	APVD
-	-	SEE SHEET 1	-	-	-



POS. NO	DIM A	DIM B	DIM C	DIM D
2	2.30	4.60	7.50	16.00
3	3.80	6.10		
4	5.30	7.60		

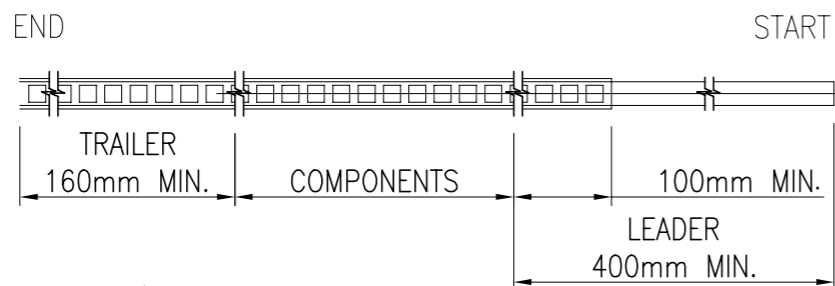


- NOTES:
1. 10 SPROCKET HOLE PITCH CUMULATIVE TOLERANCE: ±0.20mm
  2. CARRIER CAMBER NOT TO EXCEED 1mm IN 100mm.
  3. ALL DIMENSIONS MEET EIA-481-C REQUIREMENTS.
  4. MATERIAL: BLACK ANTI-STATIC POLYSTYRENE.
  5. THICKNESS: 0.40±0.05 mm.
  6. PACKING LENGTH PER 13" REEL : 12.4 METERS.
  7. COMPONENT LOAD PER 13" REEL : 950 PCS.
  8. PRODUCTS PLACEMENT MUST BE IN THE SAME DIRECTION.



THIS DRAWING IS A CONTROLLED DOCUMENT.		DWN	23SEP2020		TE Connectivity Ltd.
		CHK	Jone Ji		
		APVD	Wenke He		NAME
		PRODUCT SPEC	Wenke He		
		APPLICATION SPEC	-		1.5P WTB VERTICAL TYPE WITH LATCH
		WEIGHT	-		
DIMENSIONS: mm		TOLERANCES UNLESS OTHERWISE SPECIFIED:		SIZE	RESTRICTED TO
		0 PLC ± 0.5		CAGE CODE	-
		1 PLC ± 0.35		DRAWING NO	
		2 PLC ± 0.25		A3 00779 C=2380320	
		3 PLC ± 0.15		SCALE	SHEET 2 of 5
		4 PLC ± -		N/A	
		ANGLES ± 2'		REV	A
MATERIAL		FINISH		CUSTOMER DRAWING	
SEE NOTE		-			

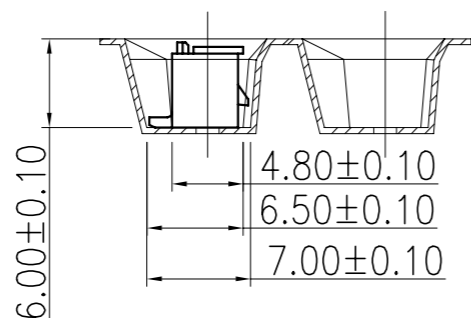
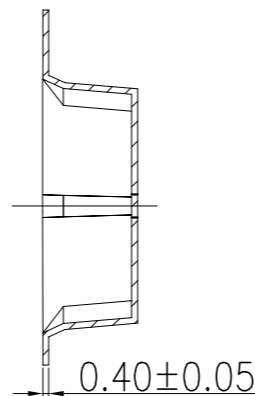
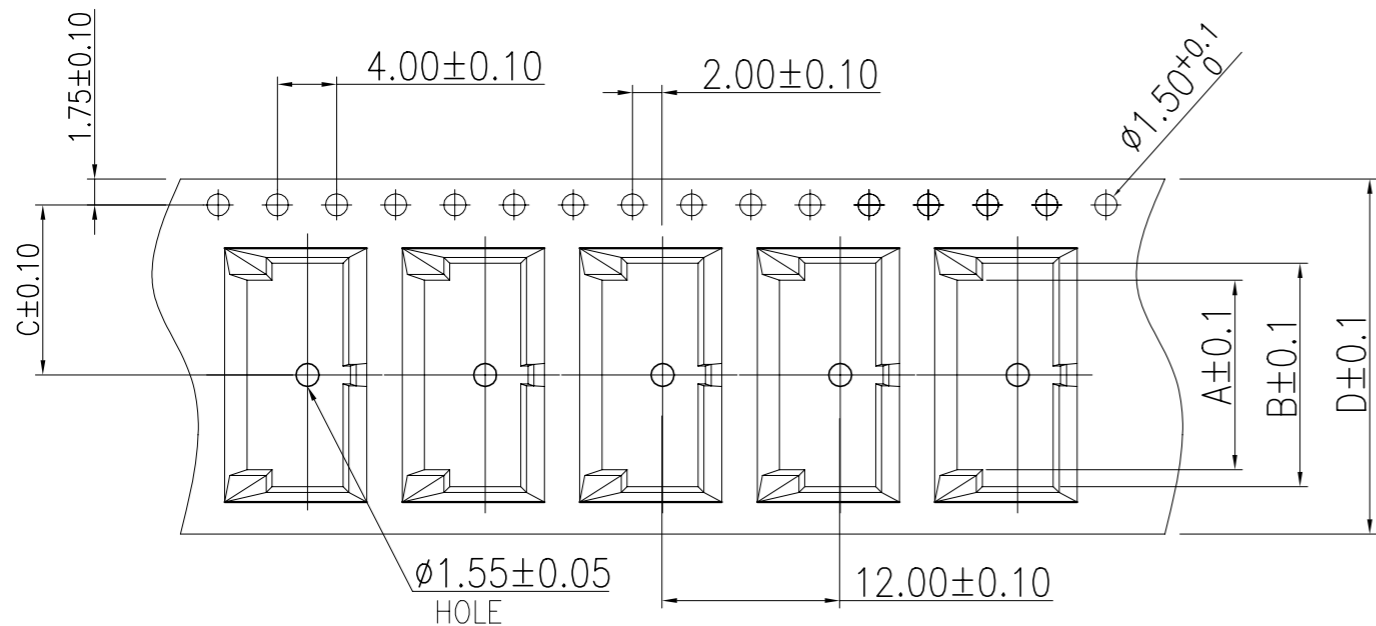
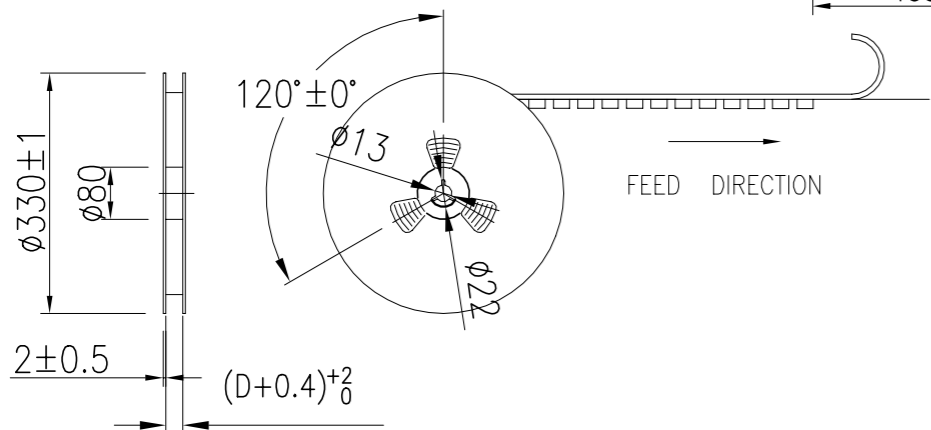
P	LTR	DESCRIPTION	DATE	DWN	APVD
-	-	SEE SHEET 1	-	-	-



POS. NO	DIM A	DIM B	DIM C	DIM D
5	6.80	9.10	11.5	24
6	8.30	10.60		
7	9.80	12.10		
8	11.30	13.60		
9	12.80	15.10		

NOTES:

- 10 SPROCKET HOLE PITCH CUMULATIVE TOLERANCE: ±0.20mm
- CARRIER CAMBER NOT TO EXCEED 1mm IN 100mm.
- ALL DIMENSIONS MEET EIA-481-C REQUIREMENTS.
- MATERIAL: BLACK ANTI-STATIC POLYSTYRENE.
- THICKNESS: 0.40±0.05 mm.
- PACKING LENGTH PER 13" REEL : 12.4 METERS.
- COMPONENT LOAD PER 13" REEL : 950 PCS.
- PRODUCTS PLACEMENT MUST BE IN THE SAME DIRECTION.



THIS DRAWING IS A CONTROLLED DOCUMENT.

DWN Jone Ji 23SEP2020

CHK Wenke He

APVD Wenke He

PRODUCT SPEC

APPLICATION SPEC

WEIGHT

CUSTOMER DRAWING

**STE** TE Connectivity Ltd.

1.5P WTB VERTICAL TYPE WITH LATCH

SIZE	CAGE CODE	DRAWING NO	RESTRICTED TO
A3	00779	C=2380320	-

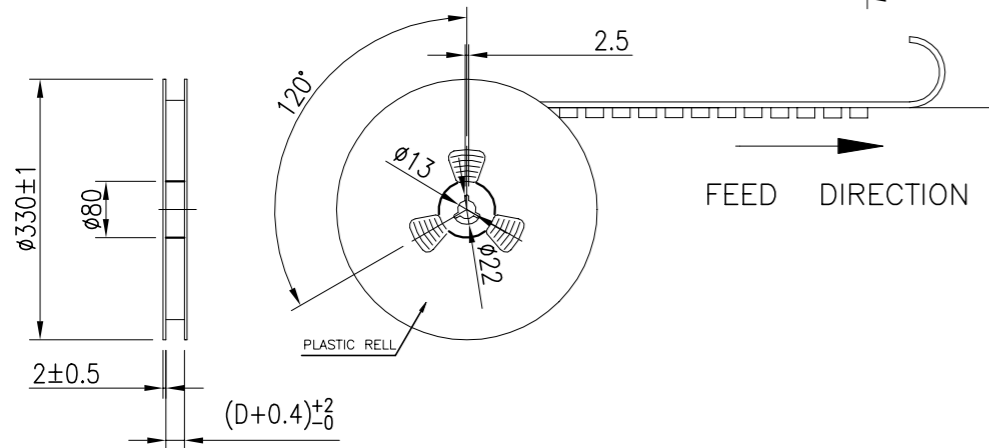
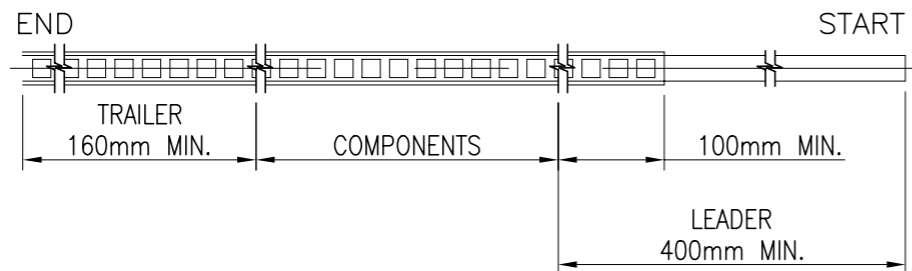
SCALE	SHEET	REV
N/A	3 of 5	A

DIMENSIONS:	TOLERANCES UNLESS OTHERWISE SPECIFIED:
mm	
	0 PLC ± 0.5
	1 PLC ± 0.35
	2 PLC ± 0.25
	3 PLC ± 0.15
	4 PLC ± -
	ANGLES ± 2'

MATERIAL SEE NOTE

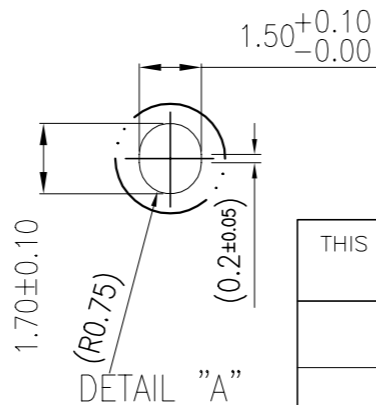
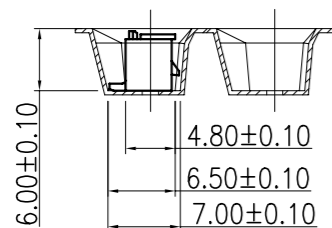
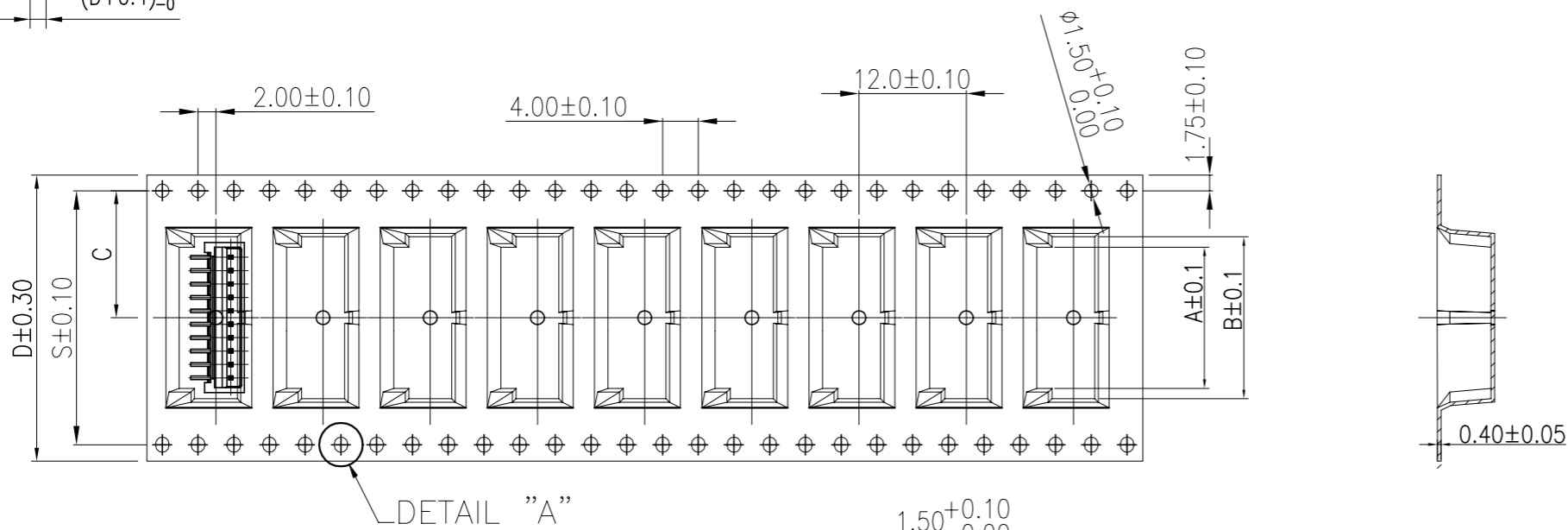
FINISH -

P	LTR	DESCRIPTION	DATE	DWN	APVD
-	-	SEE SHEET 1	-	-	-



POS. NO	DIM A	DIM B	DIM C	DIM D	DIM S
10	14.3	16.6	14.2	32	28.4
11	15.8	18.1			
12	17.3	19.6			
13	18.8	21.1	20.2	44	40.4
14	20.3	22.6			
15	21.8	24.1			
16	23.3	25.6			
17	24.8	27.1			
18	26.3	28.6			
19	27.8	30.1			
20	29.3	31.6			

- NOTES:
- 10 SPROCKET HOLE PITCH CUMULATIVE TOLERANCE:  $\pm 0.20\text{mm}$
  - CARRIER CAMBER NOT TO EXCEED 1mm IN 100mm.
  - ALL DIMENSIONS MEET EIA-481-C REQUIREMENTS.
  - MATERIAL: BLACK ANTI-STATIC POLYSTYRENE.
  - THICKNESS:  $0.40 \pm 0.05\text{ mm}$ .
  - PACKING LENGTH PER 13" REEL : 12.4 METERS.
  - COMPONENT LOAD PER 13" REEL : 950 PCS.
  - PRODUCTS PLACEMENT MUST BE IN THE SAME DIRECTION.

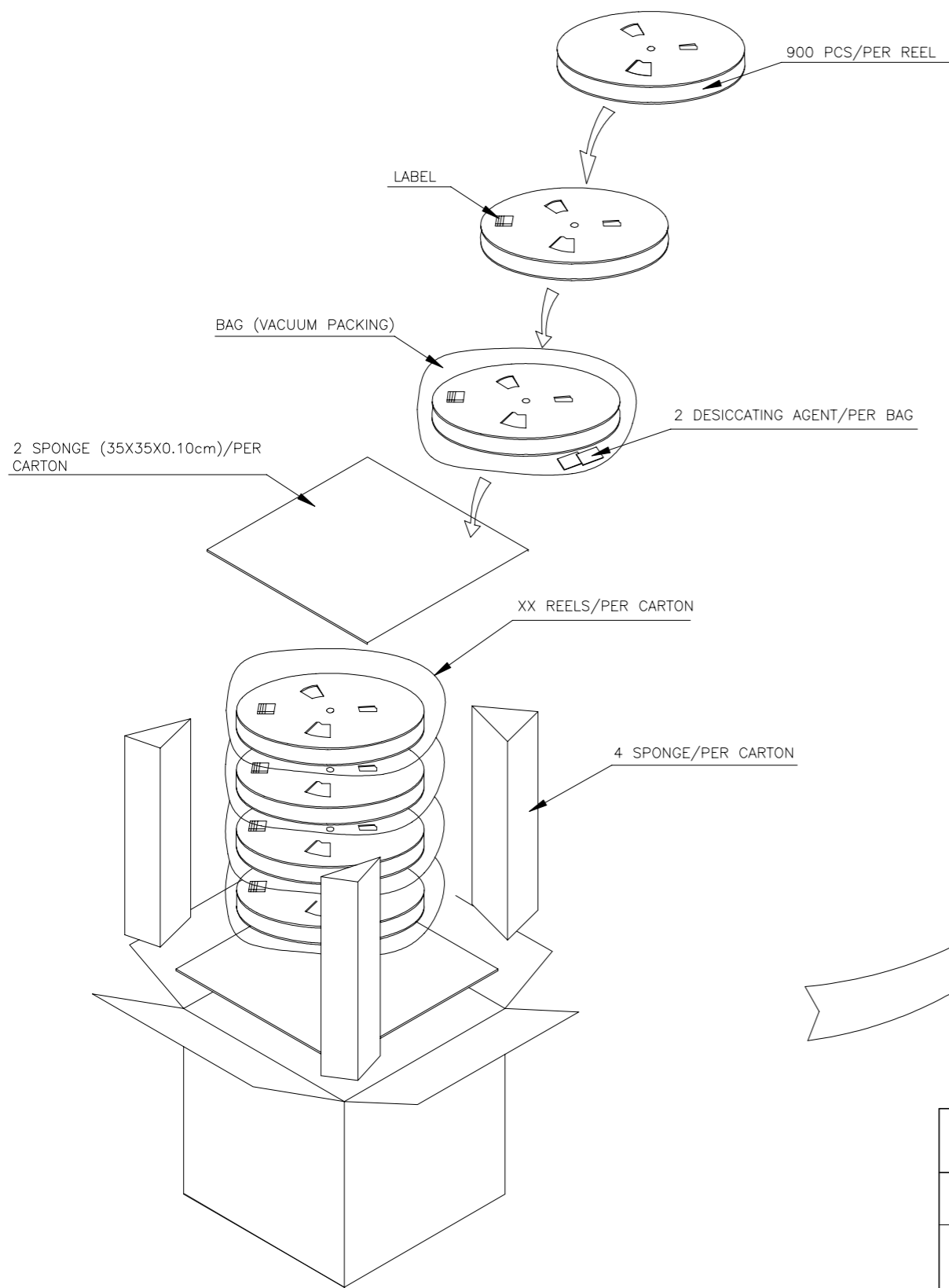


THIS DRAWING IS A CONTROLLED DOCUMENT.		DWN Jone Ji 23SEP2020	TE Connectivity Ltd.											
DIMENSIONS: mm		CHK Wenke He												
TOLERANCES UNLESS OTHERWISE SPECIFIED:		APVD Wenke He	NAME 1.5P WTB VERTICAL TYPE WITH LATCH											
<table border="1"> <tr><td>0 PLC</td><td><math>\pm 0.5</math></td></tr> <tr><td>1 PLC</td><td><math>\pm 0.35</math></td></tr> <tr><td>2 PLC</td><td><math>\pm 0.25</math></td></tr> <tr><td>3 PLC</td><td><math>\pm 0.15</math></td></tr> <tr><td>4 PLC</td><td><math>\pm</math></td></tr> <tr><td>ANGLES</td><td><math>\pm 2'</math></td></tr> </table>		0 PLC			$\pm 0.5$	1 PLC	$\pm 0.35$	2 PLC	$\pm 0.25$	3 PLC	$\pm 0.15$	4 PLC	$\pm$	ANGLES
0 PLC	$\pm 0.5$													
1 PLC	$\pm 0.35$													
2 PLC	$\pm 0.25$													
3 PLC	$\pm 0.15$													
4 PLC	$\pm$													
ANGLES	$\pm 2'$													
MATERIAL SEE NOTE		FINISH -	APPLICATION SPEC -											
		WEIGHT	SIZE A3	CAGE CODE 00779										
		CUSTOMER DRAWING	DRAWING NO C=2380320	RESTRICTED TO -										
		SCALE N/A	SHEET 4 of 5	REV A										

REVISIONS

P	LTR	DESCRIPTION	DATE	DWN	APVD
-	-	SEE SHEET 1	-	-	-

POS.NO.	PARTS PER PRIMARY CARTON	PARTS PER REEL	TOTAL REELS PER PRIMARY CARTON
2	15200(PCS)	950(PCS)	16
3	15200(PCS)	950(PCS)	16
4	15200(PCS)	950(PCS)	16
5	10450(PCS)	950(PCS)	11
6	10450(PCS)	950(PCS)	11
7	10450(PCS)	950(PCS)	11
8	10450(PCS)	950(PCS)	11
9	10450(PCS)	950(PCS)	11
10	8550(PCS)	950(PCS)	9
11	8550(PCS)	950(PCS)	9
12	8550(PCS)	950(PCS)	9
13	6650(PCS)	950(PCS)	7
14	6650(PCS)	950(PCS)	7
15	6650(PCS)	950(PCS)	7



NOTE:  
 1. STAPLES SHOULD ONLY BE USED TO SET UP CARTON  
 ALL CARTONS CLOSURES MUST BE DONE WITH TAPE.  
 2. FILL PACKAGING REEL WITH THE QUANTITIES AS INDICATED  
 IN THE CHART.

THIS DRAWING IS A CONTROLLED DOCUMENT.		DWN	23SEP2020		<b>STE</b> TE Connectivity Ltd.
		CHK	-		
		APVD	-		
		NAME	Wenke He		
DIMENSIONS: mm		TOLERANCES UNLESS OTHERWISE SPECIFIED:		PRODUCT SPEC	
		0 PLC ± 0.5		-	
		1 PLC ± 0.35		-	
		2 PLC ± 0.25		-	
		3 PLC ± 0.15		-	
		4 PLC ± -		-	
		ANGLES ± 2'		-	
MATERIAL		FINISH		APPLICATION SPEC	
SEE NOTE		-		-	
		WEIGHT		-	
		CUSTOMER DRAWING		RESTRICTED TO	
		SIZE	CAGE CODE	DRAWING NO	
		A3	00779	C=2380320	
		SCALE	SHEET	REV	
		N/A	5 of 5	A	

## X-ON Electronics

Largest Supplier of Electrical and Electronic Components

*Click to view similar products for [Headers & Wire Housings](#) category:*

*Click to view products by [TE Connectivity](#) manufacturer:*

Other Similar products are found below :

[892-18-020-10-001101](#) [58102-G61-06LF](#) [582553-1](#) [0009485154](#) [009176003701906](#) [0050291907](#) [LY20-4P-DT1-P1E-BR](#) [02.125.8002.8](#)  
[609-3404](#) [61062-3](#) [61082-181009](#) [622-3653LF](#) [63453-116](#) [636-1030](#) [636-1427](#) [636-3427](#) [636-4007](#) [641938-9](#) [641991-4](#) [644827-2](#) [65817-010LF](#) [65817-015LF](#) [65863-015LF](#) [66207-023LF](#) [67095-007LF](#) [67601157](#) [68645-018](#) [68648-049](#) [70.362.1628.0](#) [70-4210](#) [70-4226B](#) [70-4853B](#) [707-5020](#) [707-5028](#) [71.350.2428.0](#) [71918-208LF](#) [71961-016LF](#) [733-134](#) [733-162](#) [754199-000](#) [760-3052](#) [787-8014-00](#) [79531-3000](#)  
[FCN-360C032-B](#) [FCN-367T-T012/H](#) [FCN-723D010/2](#) [80.063.4001.1](#) [800-90-001-10-001000](#) [800-90-010-10-002000](#) [801-43-002-10-013000](#)