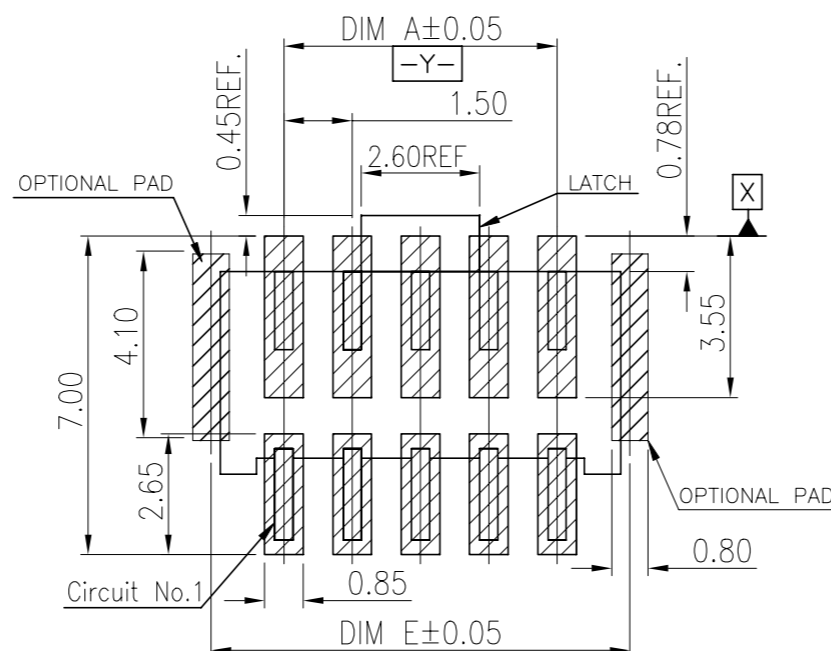
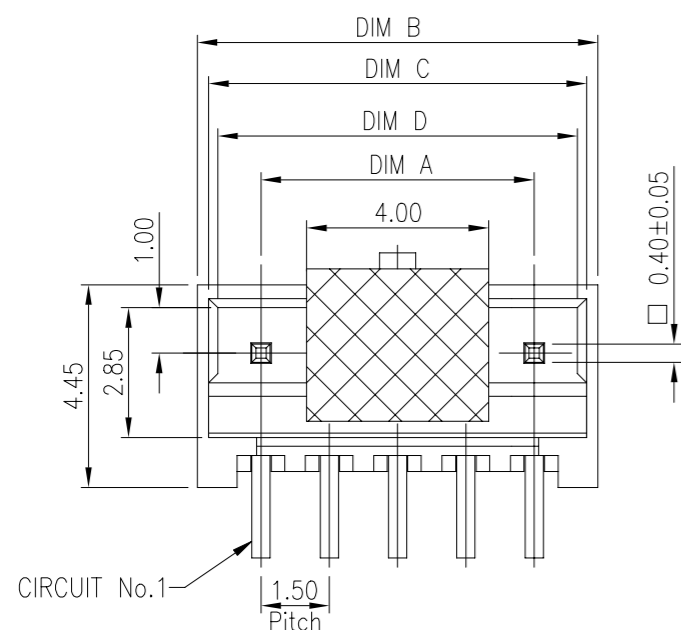


| P | LTR | DESCRIPTION | DATE | DWN | APVD |
|---|-----|---------------|-----------|-----|------|
| A | | ECR-21-108912 | 08MAY2021 | T.Q | N.S |

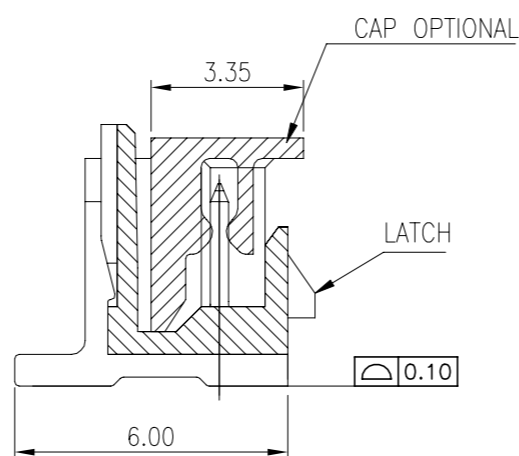
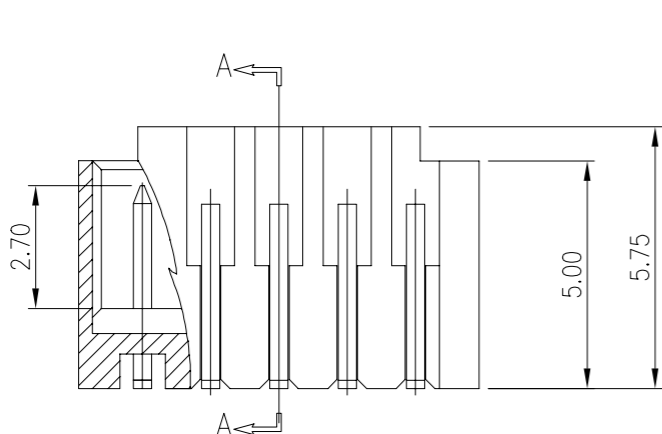


RECOMMENDED PCB LAYOUT FOR *-2380320-*

TOLERANCE ± 0.05

NOTES:

- MATERIAL:
 - HOUSING: HALOGEN FREE PLASTIC,UL94V-0.
 - CONTACT: COPPER ALLOY
- FINISH:
 - TYPE A: CONTACT: 50U" MIN. NICKEL UNDER PLATING OVERALL
100U" MIN. MATTE TIN PLATING ON CONTACT AREA AND SOLDER AREA.
 - TYPE B: CONTACT: 50U" MIN. NICKEL UNDER PLATING OVERALL
GOLD FLASH PLATING ON CONTACT AREA AND SOLDER AREA.
- REFLOW SOLDER CAPABLE TO 260°C, PER PRODUCTION SPEC.



SEC. A-A

| COLOR | DIM.E | DIM.D | DIM.C | DIM.B | DIM.A | POS.NO. | PLATING SPEC. | |
|-------|---------|-------|-------|-------|-------|---------|---------------|-------------|
| | | | | | | | TYPE B | TYPE A |
| BLACK | 4.7 | 3.4 | 3.8 | 4.3 | 1.5 | 2 | 6-2380320-2 | 4-2380320-2 |
| | 6.2 | 4.9 | 5.3 | 5.8 | 3.0 | 3 | 6-2380320-3 | 4-2380320-3 |
| | 7.7 | 6.4 | 6.8 | 7.3 | 4.5 | 4 | 6-2380320-4 | 4-2380320-4 |
| | 9.2 | 7.9 | 8.3 | 8.8 | 6.0 | 5 | 6-2380320-5 | 4-2380320-5 |
| | 10.7 | 9.4 | 9.8 | 10.3 | 7.5 | 6 | 6-2380320-6 | 4-2380320-6 |
| | 12.2 | 10.9 | 11.3 | 11.8 | 9.0 | 7 | 6-2380320-7 | 4-2380320-7 |
| | 13.7 | 12.4 | 12.8 | 13.3 | 10.5 | 8 | 6-2380320-8 | 4-2380320-8 |
| | 15.2 | 13.9 | 14.3 | 14.8 | 12.0 | 9 | 6-2380320-9 | 4-2380320-9 |
| | 16.7 | 15.4 | 15.8 | 16.3 | 13.5 | 10 | 7-2380320-0 | 5-2380320-0 |
| | 18.2 | 16.9 | 17.3 | 17.8 | 15.0 | 11 | 7-2380320-1 | 5-2380320-1 |
| | 19.7 | 18.4 | 18.8 | 19.3 | 16.5 | 12 | 7-2380320-2 | 5-2380320-2 |
| | 21.2 | 19.9 | 20.3 | 20.8 | 18.0 | 13 | 7-2380320-3 | 5-2380320-3 |
| | 22.7 | 21.4 | 21.8 | 22.3 | 19.5 | 14 | 7-2380320-4 | 5-2380320-4 |
| | 24.2 | 22.9 | 23.3 | 23.8 | 21.0 | 15 | 7-2380320-5 | 5-2380320-5 |
| | NATURAL | 4.7 | 3.4 | 3.8 | 4.3 | 1.5 | 2 | 2-2380320-2 |
| 6.2 | | 4.9 | 5.3 | 5.8 | 3.0 | 3 | 2-2380320-3 | 2380320-3 |
| 7.7 | | 6.4 | 6.8 | 7.3 | 4.5 | 4 | 2-2380320-4 | 2380320-4 |
| 9.2 | | 7.9 | 8.3 | 8.8 | 6.0 | 5 | 2-2380320-5 | 2380320-5 |
| 10.7 | | 9.4 | 9.8 | 10.3 | 7.5 | 6 | 2-2380320-6 | 2380320-6 |
| 12.2 | | 10.9 | 11.3 | 11.8 | 9.0 | 7 | 2-2380320-7 | 2380320-7 |
| 13.7 | | 12.4 | 12.8 | 13.3 | 10.5 | 8 | 2-2380320-8 | 2380320-8 |
| 15.2 | | 13.9 | 14.3 | 14.8 | 12.0 | 9 | 2-2380320-9 | 2380320-9 |
| 16.7 | | 15.4 | 15.8 | 16.3 | 13.5 | 10 | 3-2380320-0 | 1-2380320-0 |
| 18.2 | | 16.9 | 17.3 | 17.8 | 15.0 | 11 | 3-2380320-1 | 1-2380320-1 |
| 19.7 | | 18.4 | 18.8 | 19.3 | 16.5 | 12 | 3-2380320-2 | 1-2380320-2 |
| 21.2 | | 19.9 | 20.3 | 20.8 | 18.0 | 13 | 3-2380320-3 | 1-2380320-3 |
| 22.7 | | 21.4 | 21.8 | 22.3 | 19.5 | 14 | 3-2380320-4 | 1-2380320-4 |
| 24.2 | | 22.9 | 23.3 | 23.8 | 21.0 | 15 | 3-2380320-5 | 1-2380320-5 |

| | | | | |
|--|--|------------------------|----------|-----------|
| THIS DRAWING IS A CONTROLLED DOCUMENT. | | DWN | Jone Ji | 23SEP2020 |
| DIMENSIONS: | | CHK | Wenke He | - |
| mm | | APVD | Wenke He | - |
| TOLERANCES UNLESS OTHERWISE SPECIFIED: | | NAME | | |
| 0 PLC ± 0.5 | | 1.5P WTB VERTICAL TYPE | | |
| 1 PLC ± 0.35 | | WITH LATCH | | |
| 2 PLC ± 0.25 | | - | | |
| 3 PLC ± 0.15 | | APPLICATION SPEC | | |
| 4 PLC ± - | | - | | |
| ANGLES ± 2' | | SIZE | | |
| MATERIAL | | CAGE CODE | | |
| SEE NOTE | | DRAWING NO | | |
| FINISH | | RESTRICTED TO | | |
| - | | A3 00779 C=2380320 | | |
| - | | WEIGHT | | |
| - | | CUSTOMER DRAWING | | |
| - | | SCALE | | |
| - | | N/A | | |
| - | | SHEET | | |
| - | | 1 of 5 | | |
| - | | REV | | |
| - | | A | | |



1.5P WTB VERTICAL TYPE WITH LATCH

| | | | |
|-------|-----------|------------|---------------|
| SIZE | CAGE CODE | DRAWING NO | RESTRICTED TO |
| A3 | 00779 | C=2380320 | - |
| SCALE | SHEET | REV | |
| N/A | 1 of 5 | A | |

4

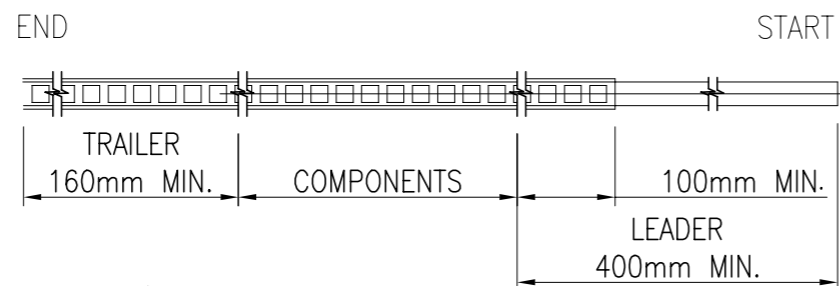
3

2

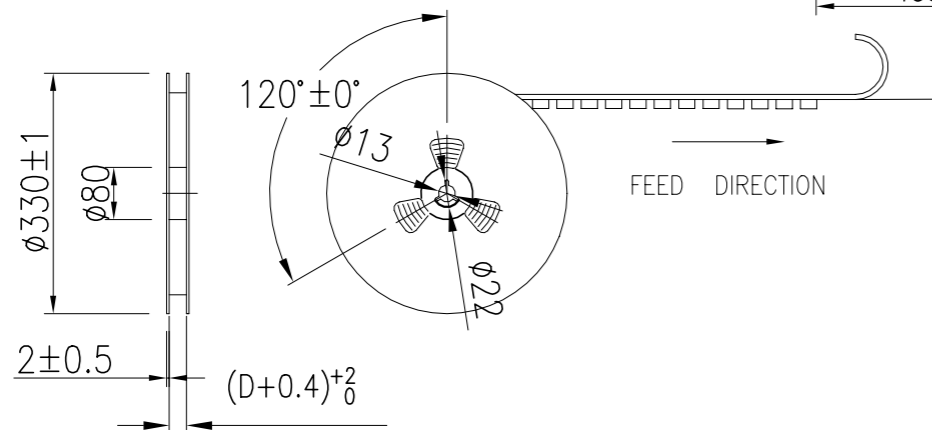
1

REVISIONS

| P | LTR | DESCRIPTION | DATE | DWN | APVD |
|---|-----|-------------|------|-----|------|
| - | - | SEE SHEET 1 | - | - | - |

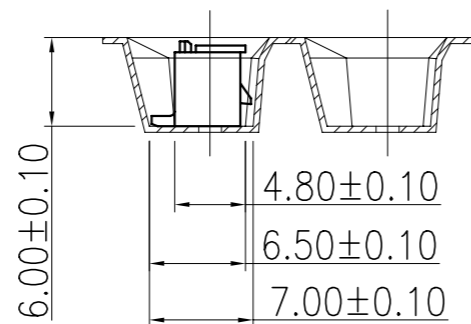
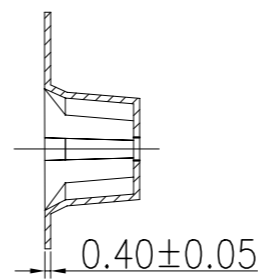
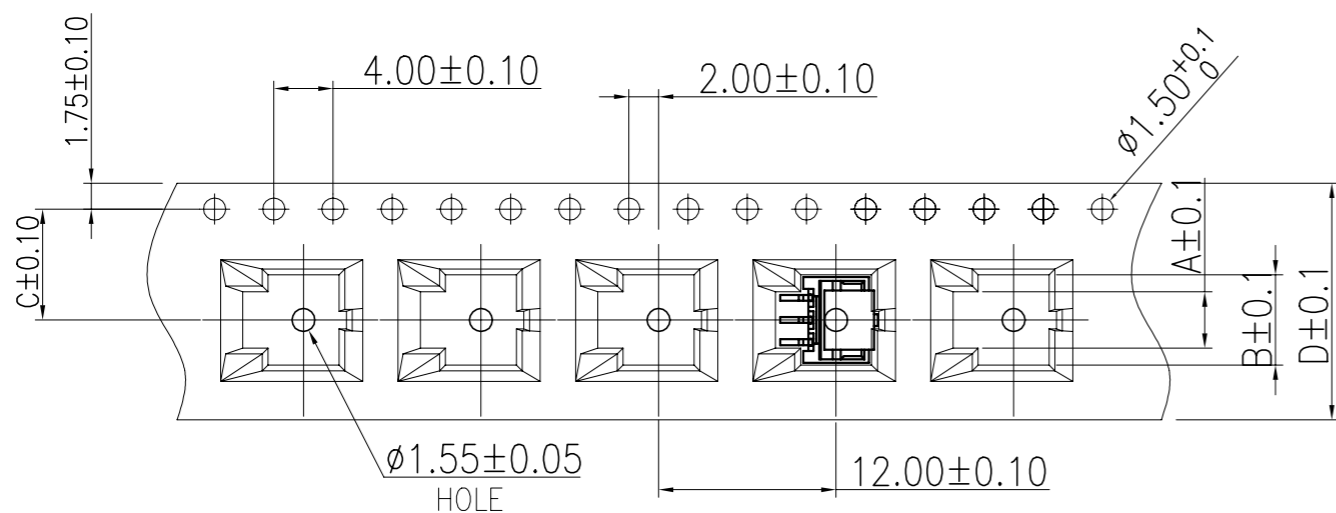


| POS. NO | DIM A | DIM B | DIM C | DIM D |
|---------|-------|-------|-------|-------|
| 2 | 2.30 | 4.60 | 7.50 | 16.00 |
| 3 | 3.80 | 6.10 | | |
| 4 | 5.30 | 7.60 | | |



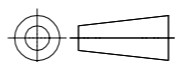
NOTES:

1. 10 SPROCKET HOLE PITCH CUMULATIVE TOLERANCE: ±0.20mm
2. CARRIER CAMBER NOT TO EXCEED 1mm IN 100mm.
3. ALL DIMENSIONS MEET EIA-481-C REQUIREMENTS.
4. MATERIAL: BLACK ANTI-STATIC POLYSTYRENE.
5. THICKNESS: 0.40±0.05 mm.
6. PACKING LENGTH PER 13" REEL : 12.4 METERS.
7. COMPONENT LOAD PER 13" REEL : 950 PCS.
8. PRODUCTS PLACEMENT MUST BE IN THE SAME DIRECTION.



THIS DRAWING IS A CONTROLLED DOCUMENT.

DIMENSIONS: mm



MATERIAL: SEE NOTE

TOLERANCES UNLESS OTHERWISE SPECIFIED:

| | |
|--------|--------|
| 0 PLC | ± 0.5 |
| 1 PLC | ± 0.35 |
| 2 PLC | ± 0.25 |
| 3 PLC | ± 0.15 |
| 4 PLC | ± - |
| ANGLES | ± 2' |

FINISH: -

DWN: Jone Ji 23SEP2020

CHK: Wenke He

APVD: Wenke He

PRODUCT SPEC: -

APPLICATION SPEC: -

WEIGHT: -

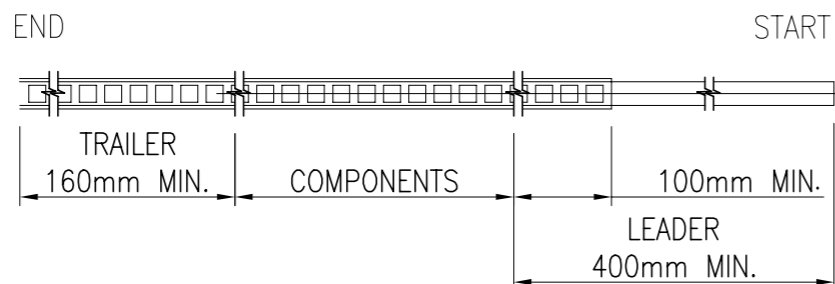
CUSTOMER DRAWING



1.5P WTB VERTICAL TYPE WITH LATCH

| SIZE | CAGE CODE | DRAWING NO | RESTRICTED TO |
|------|-----------|------------|---------------|
| A3 | 00779 | C=2380320 | - |

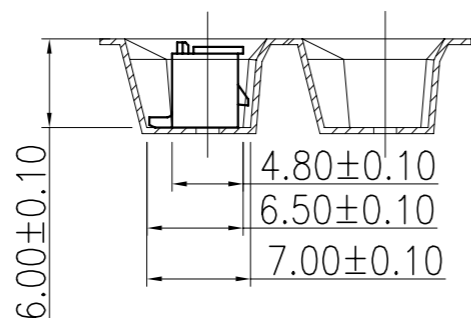
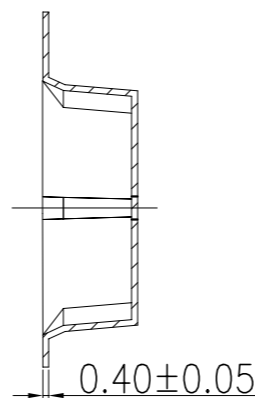
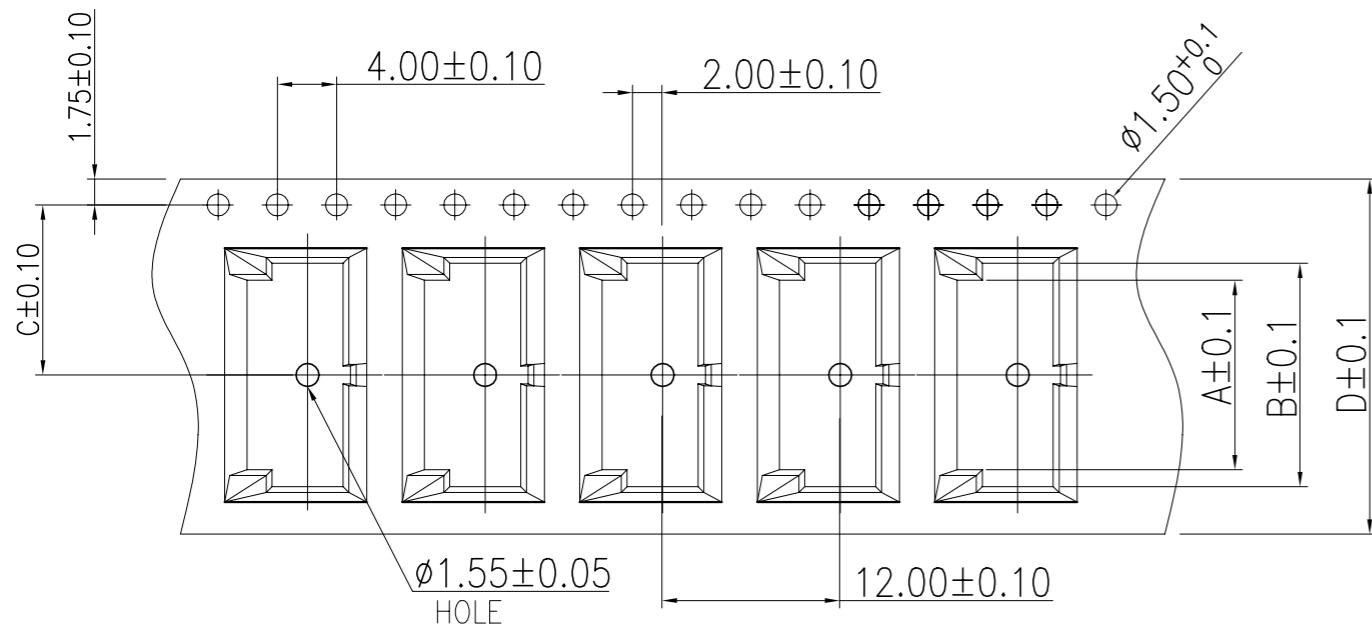
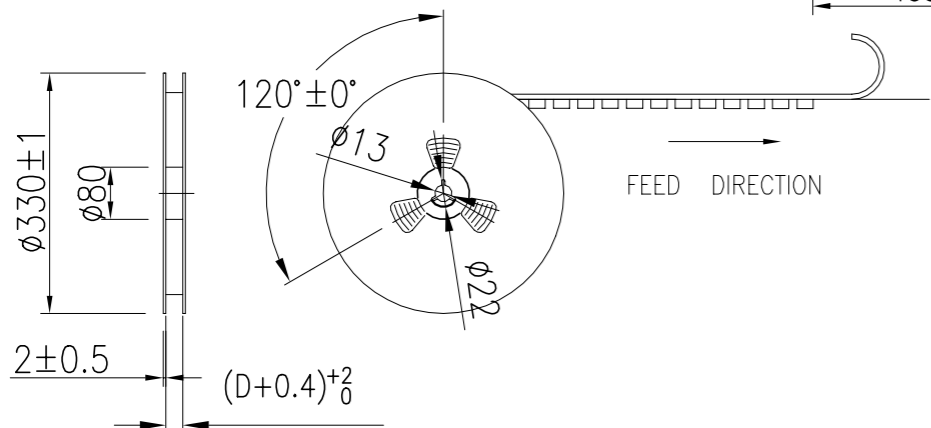
| P | LTR | DESCRIPTION | DATE | DWN | APVD |
|---|-----|-------------|------|-----|------|
| - | - | SEE SHEET 1 | - | - | - |



| POS. NO | DIM A | DIM B | DIM C | DIM D |
|---------|-------|-------|-------|-------|
| 5 | 6.80 | 9.10 | 11.5 | 24 |
| 6 | 8.30 | 10.60 | | |
| 7 | 9.80 | 12.10 | | |
| 8 | 11.30 | 13.60 | | |
| 9 | 12.80 | 15.10 | | |

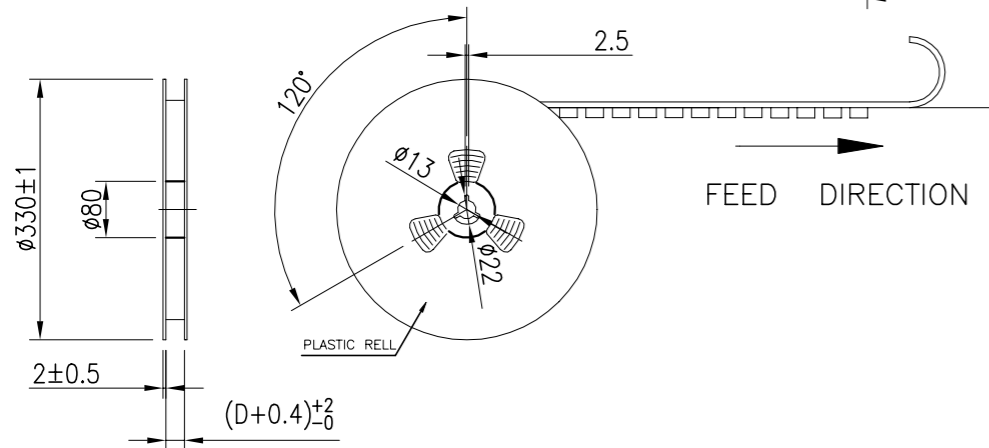
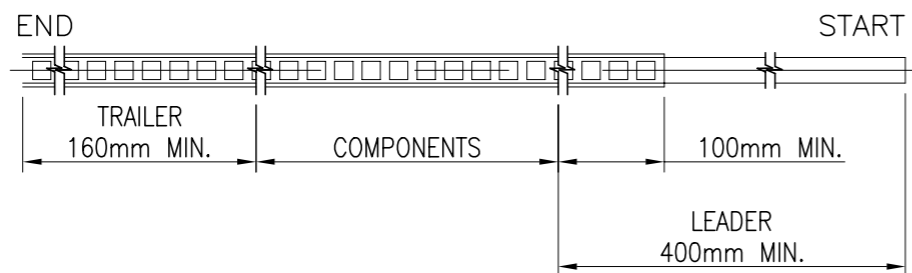
NOTES:

- 10 SPROCKET HOLE PITCH CUMULATIVE TOLERANCE: ±0.20mm
- CARRIER CAMBER NOT TO EXCEED 1mm IN 100mm.
- ALL DIMENSIONS MEET EIA-481-C REQUIREMENTS.
- MATERIAL: BLACK ANTI-STATIC POLYSTYRENE.
- THICKNESS: 0.40±0.05 mm.
- PACKING LENGTH PER 13" REEL : 12.4 METERS.
- COMPONENT LOAD PER 13" REEL : 950 PCS.
- PRODUCTS PLACEMENT MUST BE IN THE SAME DIRECTION.



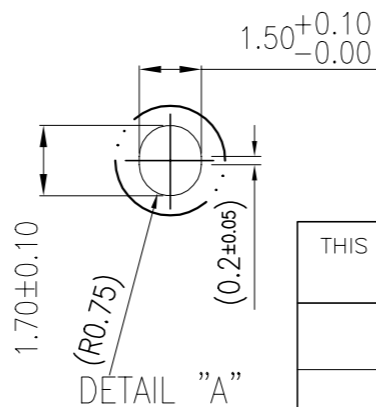
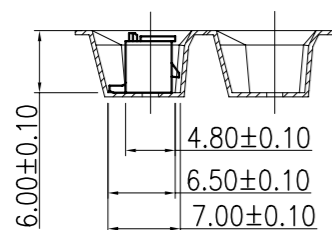
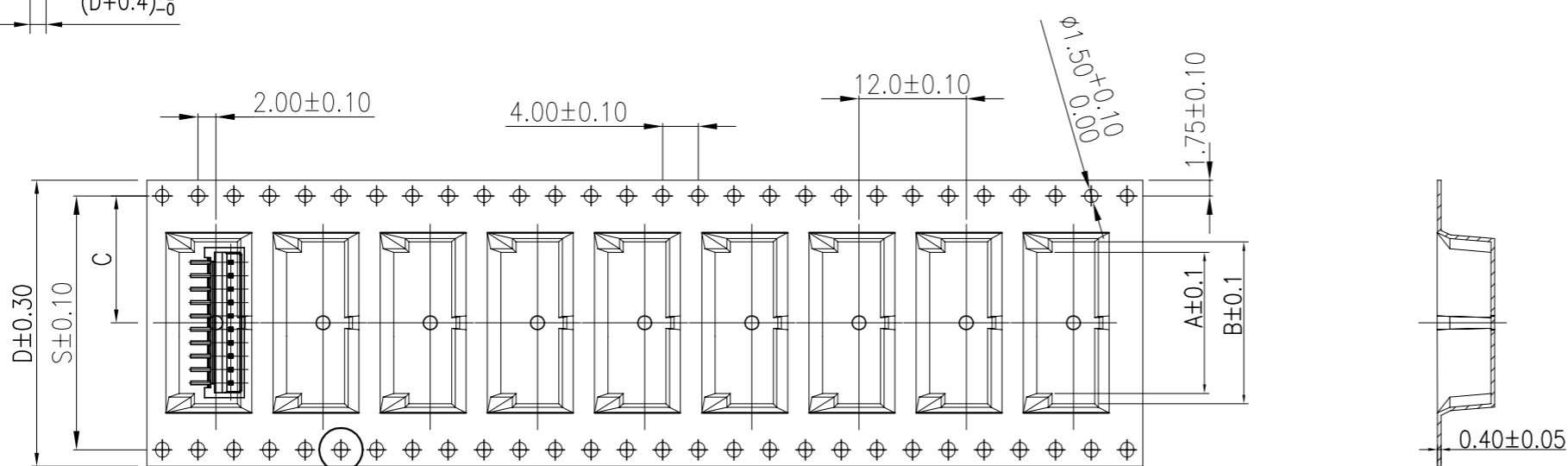
| | | | | | | | | | | | | | | | | |
|--|--------|-----------------------------|-----------------------------------|--------------------|--------|-------|--------|-------|--------|-------|-----|--------|------|--------------|---|--|
| THIS DRAWING IS A CONTROLLED DOCUMENT. | | DWN Jone Ji 23SEP2020 | TE Connectivity Ltd. | | | | | | | | | | | | | |
| DIMENSIONS: mm | | CHK Wenke He | | | NAME | | | | | | | | | | | |
| TOLERANCES UNLESS OTHERWISE SPECIFIED: | | APVD Wenke He | 1.5P WTB VERTICAL TYPE WITH LATCH | | | | | | | | | | | | | |
| <table border="0"> <tr><td>0 PLC</td><td>± 0.5</td></tr> <tr><td>1 PLC</td><td>± 0.35</td></tr> <tr><td>2 PLC</td><td>± 0.25</td></tr> <tr><td>3 PLC</td><td>± 0.15</td></tr> <tr><td>4 PLC</td><td>± -</td></tr> <tr><td>ANGLES</td><td>± 2'</td></tr> </table> | | 0 PLC | ± 0.5 | 1 PLC | ± 0.35 | 2 PLC | ± 0.25 | 3 PLC | ± 0.15 | 4 PLC | ± - | ANGLES | ± 2' | PRODUCT SPEC | - | |
| 0 PLC | ± 0.5 | | | | | | | | | | | | | | | |
| 1 PLC | ± 0.35 | | | | | | | | | | | | | | | |
| 2 PLC | ± 0.25 | | | | | | | | | | | | | | | |
| 3 PLC | ± 0.15 | | | | | | | | | | | | | | | |
| 4 PLC | ± - | | | | | | | | | | | | | | | |
| ANGLES | ± 2' | | | | | | | | | | | | | | | |
| MATERIAL SEE NOTE | | FINISH - | APPLICATION SPEC | - | | | | | | | | | | | | |
| | | WEIGHT | SIZE A3 | CAGE CODE 00779 | | | | | | | | | | | | |
| | | CUSTOMER DRAWING | DRAWING NO C=2380320 | RESTRICTED TO - | | | | | | | | | | | | |
| | | | SCALE N/A | SHEET 3 of 5 | | | | | | | | | | | | |
| | | | | REV A | | | | | | | | | | | | |

| P | LTR | DESCRIPTION | DATE | DWN | APVD |
|---|-----|-------------|------|-----|------|
| - | - | SEE SHEET 1 | - | - | - |



| POS. NO | DIM A | DIM B | DIM C | DIM D | DIM S |
|---------|-------|-------|-------|-------|-------|
| 10 | 14.3 | 16.6 | 14.2 | 32 | 28.4 |
| 11 | 15.8 | 18.1 | | | |
| 12 | 17.3 | 19.6 | | | |
| 13 | 18.8 | 21.1 | 20.2 | 44 | 40.4 |
| 14 | 20.3 | 22.6 | | | |
| 15 | 21.8 | 24.1 | | | |
| 16 | 23.3 | 25.6 | | | |
| 17 | 24.8 | 27.1 | | | |
| 18 | 26.3 | 28.6 | | | |
| 19 | 27.8 | 30.1 | | | |
| 20 | 29.3 | 31.6 | | | |

- NOTES:
- 10 SPROCKET HOLE PITCH CUMULATIVE TOLERANCE: ±0.20mm
 - CARRIER CAMBER NOT TO EXCEED 1mm IN 100mm.
 - ALL DIMENSIONS MEET EIA-481-C REQUIREMENTS.
 - MATERIAL: BLACK ANTI-STATIC POLYSTYRENE.
 - THICKNESS: 0.40±0.05 mm.
 - PACKING LENGTH PER 13" REEL : 12.4 METERS.
 - COMPONENT LOAD PER 13" REEL : 950 PCS.
 - PRODUCTS PLACEMENT MUST BE IN THE SAME DIRECTION.



| | | | | | | | | | | | | | | |
|--|--------|-----------------------|---|-----------------|-------|-------|--------|-------|--------|-------|--------|-------|---|--------|
| THIS DRAWING IS A CONTROLLED DOCUMENT. | | DWN Jone Ji 23SEP2020 | TE Connectivity Ltd. | | | | | | | | | | | |
| DIMENSIONS: mm | | CHK Wenke He | | | | | | | | | | | | |
| TOLERANCES UNLESS OTHERWISE SPECIFIED: | | APVD Wenke He | NAME 1.5P WTB VERTICAL TYPE WITH LATCH | | | | | | | | | | | |
| <table border="0"> <tr><td>0 PLC</td><td>± 0.5</td></tr> <tr><td>1 PLC</td><td>± 0.35</td></tr> <tr><td>2 PLC</td><td>± 0.25</td></tr> <tr><td>3 PLC</td><td>± 0.15</td></tr> <tr><td>4 PLC</td><td>±</td></tr> <tr><td>ANGLES</td><td>± 2'</td></tr> </table> | | 0 PLC | | | ± 0.5 | 1 PLC | ± 0.35 | 2 PLC | ± 0.25 | 3 PLC | ± 0.15 | 4 PLC | ± | ANGLES |
| 0 PLC | ± 0.5 | | | | | | | | | | | | | |
| 1 PLC | ± 0.35 | | | | | | | | | | | | | |
| 2 PLC | ± 0.25 | | | | | | | | | | | | | |
| 3 PLC | ± 0.15 | | | | | | | | | | | | | |
| 4 PLC | ± | | | | | | | | | | | | | |
| ANGLES | ± 2' | | | | | | | | | | | | | |
| MATERIAL SEE NOTE | | FINISH - | APPLICATION SPEC - | | | | | | | | | | | |
| | | WEIGHT | SIZE A3 | CAGE CODE 00779 | | | | | | | | | | |
| | | CUSTOMER DRAWING | DRAWING NO C=2380320 | RESTRICTED TO - | | | | | | | | | | |
| | | SCALE N/A | SHEET 4 of 5 | REV A | | | | | | | | | | |

X-ON Electronics

Largest Supplier of Electrical and Electronic Components

Click to view similar products for [Headers & Wire Housings](#) category:

Click to view products by [TE Connectivity](#) manufacturer:

Other Similar products are found below :

[892-18-020-10-001101](#) [58102-G61-06LF](#) [582553-1](#) [0009485154](#) [009176003701906](#) [0050291907](#) [LY20-4P-DT1-P1E-BR](#) [02.125.8002.8](#)
[609-3404](#) [61062-3](#) [61082-181009](#) [622-3653LF](#) [63453-116](#) [636-1030](#) [636-1427](#) [636-3427](#) [636-4007](#) [641938-9](#) [641991-4](#) [644827-2](#) [65817-](#)
[010LF](#) [65817-015LF](#) [65863-015LF](#) [66207-023LF](#) [67095-007LF](#) [67601157](#) [68645-018](#) [68648-049](#) [70.362.1628.0](#) [70-4210](#) [70-4226B](#) [70-](#)
[4853B](#) [707-5020](#) [707-5028](#) [71.350.2428.0](#) [71918-208LF](#) [71961-016LF](#) [733-134](#) [733-162](#) [754199-000](#) [760-3052](#) [787-8014-00](#) [79531-3000](#)
[FCN-360C032-B](#) [FCN-367T-T012/H](#) [FCN-723D010/2](#) [80.063.4001.1](#) [800-90-001-10-001000](#) [800-90-010-10-002000](#) [801-43-002-10-013000](#)