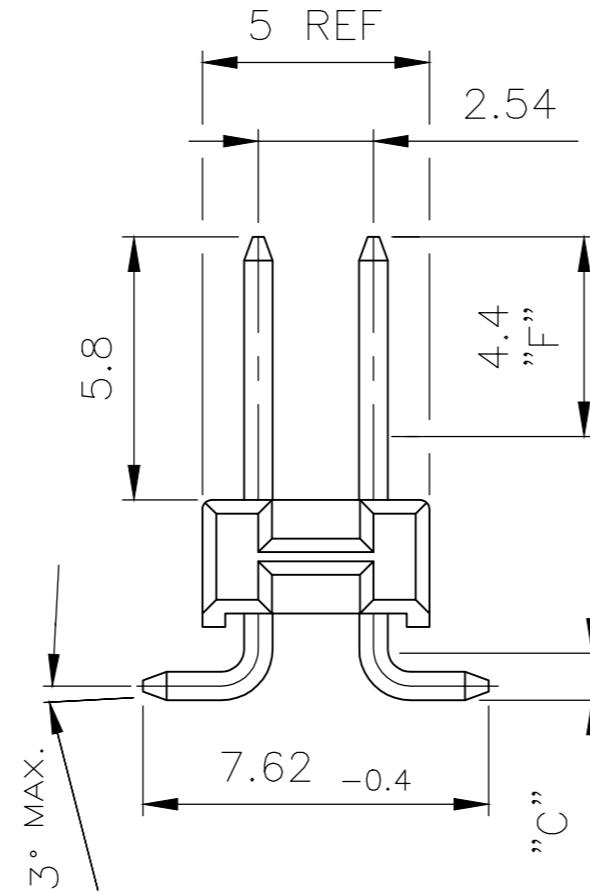
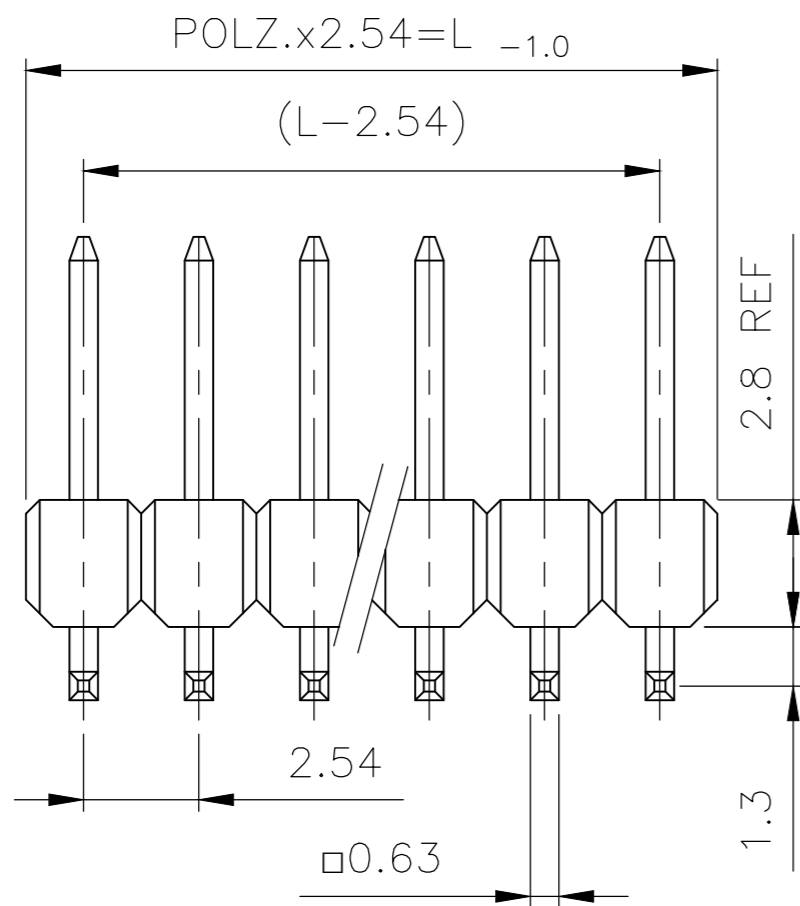


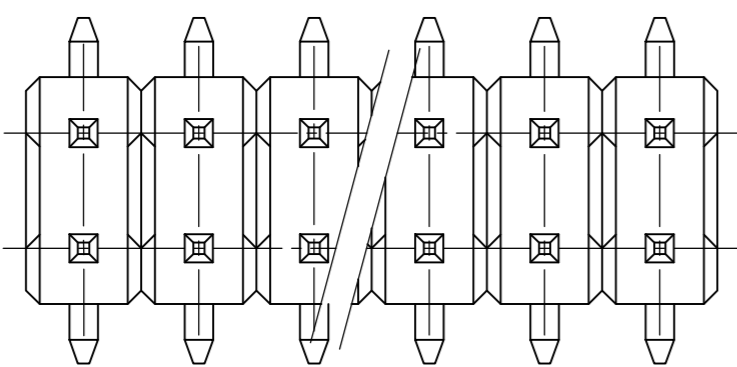
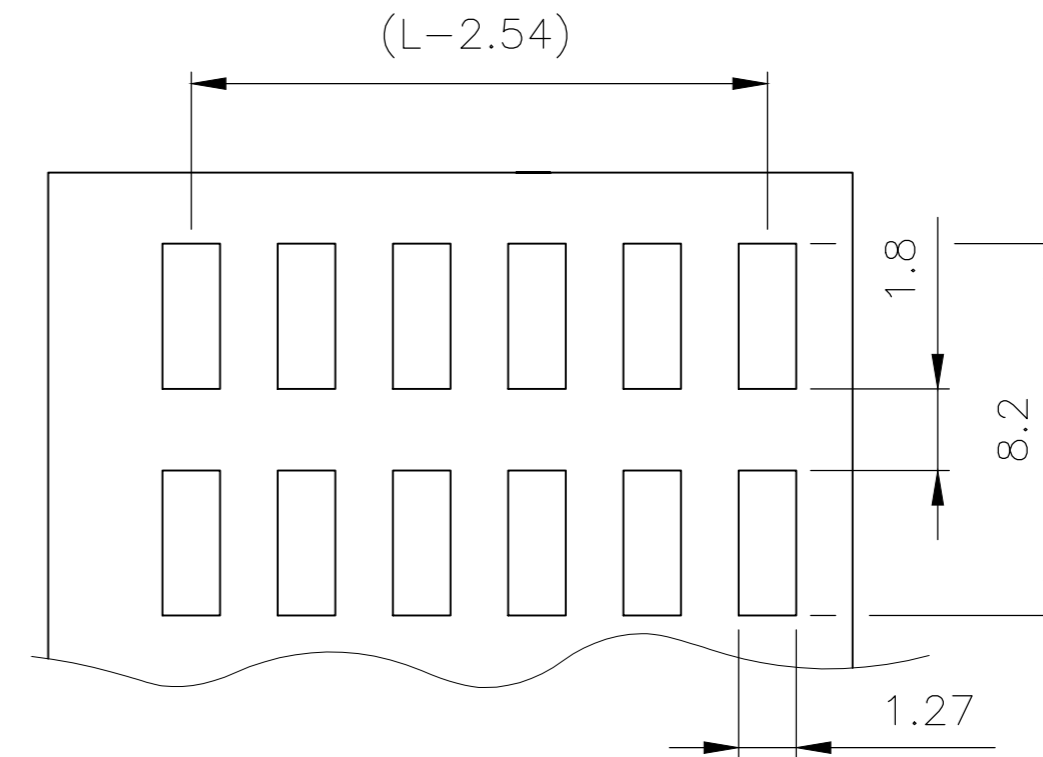
THIS DRAWING IS UNPUBLISHED. RELEASED FOR PUBLICATION SEP., 1998.
 © COPYRIGHT 2010 By - ALL RIGHTS RESERVED.

REVISIONS				
P	LTR	DESCRIPTION	DATE	APVD
B1		Reel dia change to 380mm for 2 parts	28JUN2018	KJK PS

Pos.	L _{-1.0}
2	5,08
3	7,62
4	10,16
5	12,7
6	15,24
7	17,78
8	20,32
9	22,86
10	25,4
11	27,94
12	30,48
13	33,02
14	35,56
15	38,1
16	40,64
17	43,18



EMPFOLHENES LEITERPLATTEN LAYOUT
 RECOMMENDED PCB-LAYOUT



1 MATING SIDE: WITHIN THE RANGE "F" MIN. 0.7µm PdNi + MIN. 0.1µm GOLD FLASH OVER 1.27µm Ni
 SOLDER SIDE: WITHIN THE RANGE "C" MIN. 3.0µm TIN OVER 1.27µm Ni

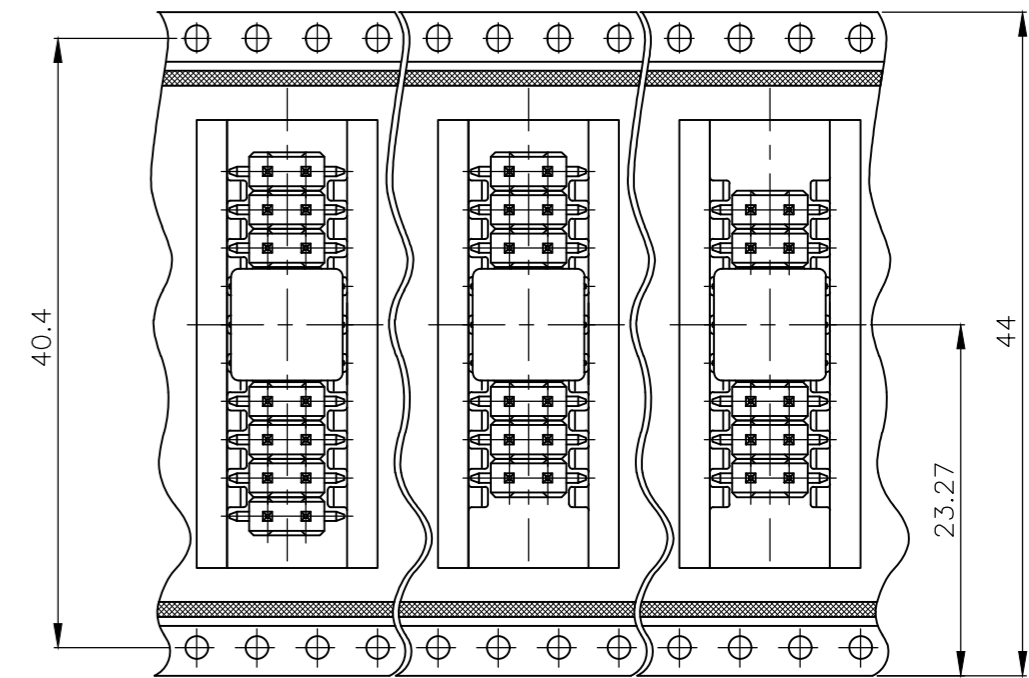
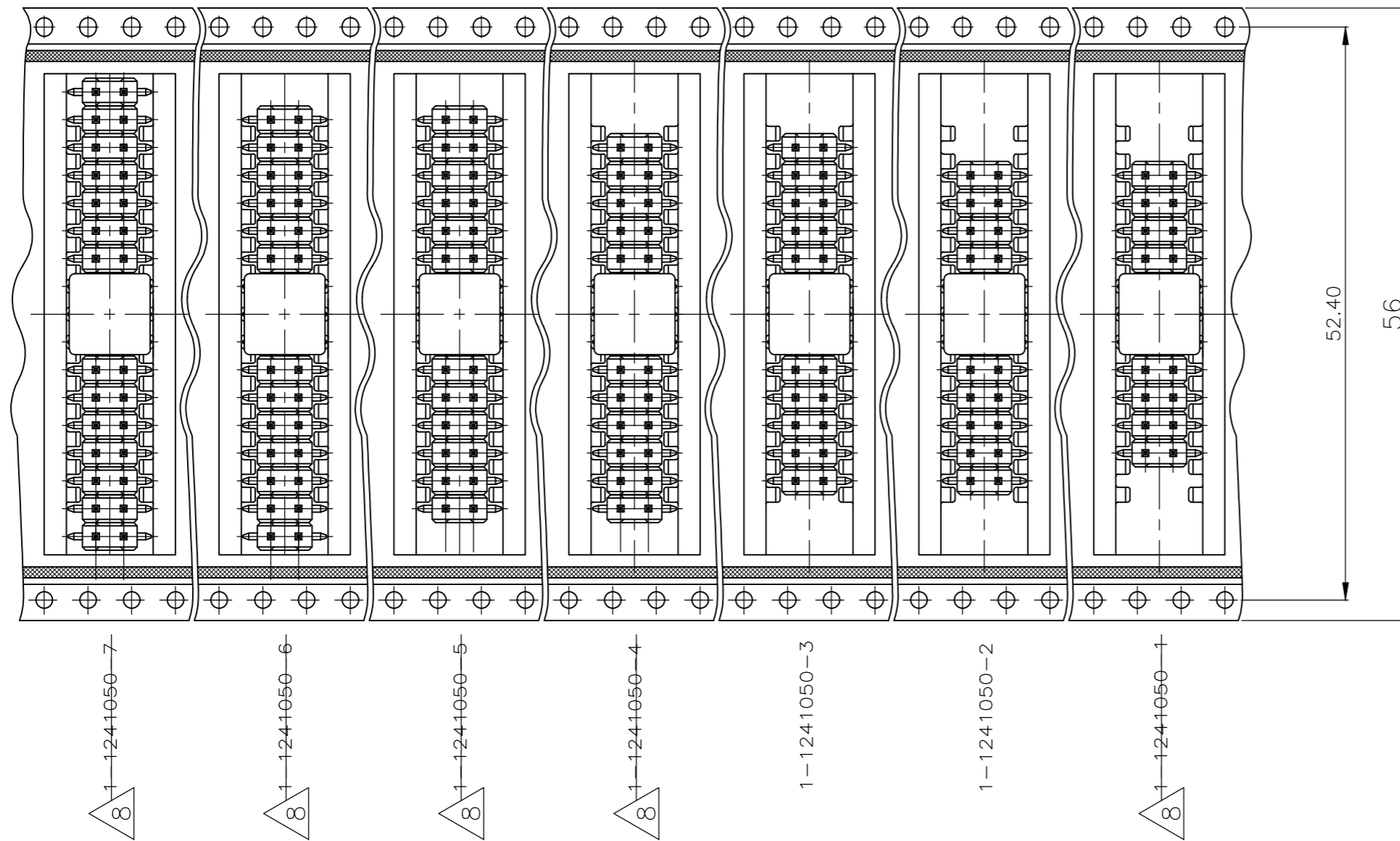
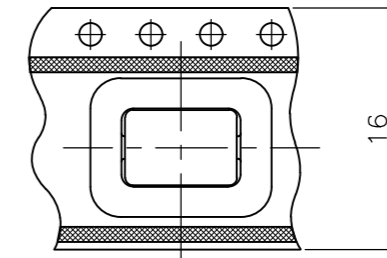
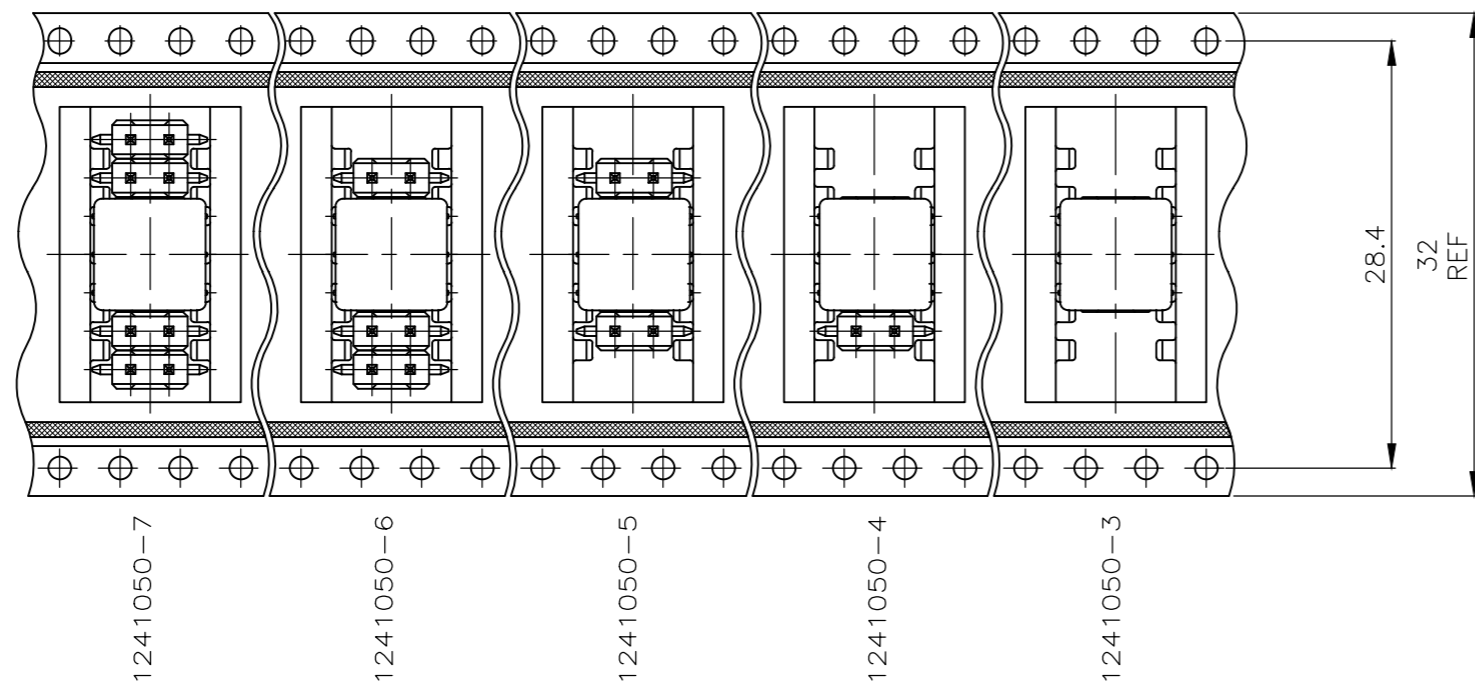
STECKSEITE: IM BEREICH "F" MIN. 0.7µm PdNi + MIN. 0.1µm GOLD ÜBER 1.27µm Ni
 LÖTSEITE: IM BEREICH "C" MIN. 3.0µm ZINN ÜBER 1.27µm Ni


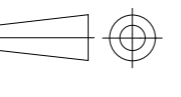
KONTAKTSTIFT / CONTACT PIN	Cu Zn	1	2
STIFTGEHÄUSE / PIN HOUSING	PCT-GV	SCHWARZ / BLACK	1
BENENNUNG EINZELTEIL PART DESCRIPTION	WERKSTOFF MATERIAL	OBERFLÄCHE / FARBE SURFACE / COLOR	SI No

THIS DRAWING IS A CONTROLLED DOCUMENT.		DWN F.REICHARDT 16-SEP-98	TE Connectivity Ltd.	
DIMENSIONS: mm		CHK M.SCHAARSCHMIDT 16-SEP-98	NAME AMPMODU II PIN HEADER PACKED IN BLISTER	
TOLERANCES UNLESS OTHERWISE SPECIFIED: TOL ± 0.2		APVD G.FELDMEIER	PRODUCT SPEC 108-18012	
MATERIAL SEE TABLE		FINISH SEE TABLE	SIZE A2	CAGE CODE 00779
		WEIGHT	DRAWING NO C=1241050	RESTRICTED TO
		CUSTOMER DRAWING	SCALE 6:1	SHEET 1 of 3
			REV B1	

THIS DRAWING IS UNPUBLISHED. RELEASED FOR PUBLICATION SEP. 1998.
 © COPYRIGHT 2010 By - ALL RIGHTS RESERVED.

REVISIONS				
P	LTR	DESCRIPTION	DATE	APVD
-	-	SEE SHEET 1	-	-



THIS DRAWING IS A CONTROLLED DOCUMENT.		DWN F. REICHARDT 16-SEP-98	 TE Connectivity Ltd.	
DIMENSIONS: mm		CHK M. SCHAARSCHMIDT 16-SEP-98		
		APVD G. FELDMEIER -	NAME AMPMODU II PIN HEADER PACKED IN BLISTER	
TOLERANCES UNLESS OTHERWISE SPECIFIED:		PRODUCT SPEC 108-18012	RESTRICTED TO	
0 PLC ± 0.2		APPLICATION SPEC	SIZE A2	CAGE CODE 00779
1 PLC ± 0.1		WEIGHT	DRAWING NO. C-1241050	
2 PLC ± 0.1		FINISH	SCALE 1:1	
3 PLC ± -		MATERIAL	SHEET 3 of 3	
4 PLC ± -		CUSTOMER DRAWING	REV B1	
ANGLES ± -				

X-ON Electronics

Largest Supplier of Electrical and Electronic Components

Click to view similar products for [Headers & Wire Housings](#) category:

Click to view products by [TE Connectivity](#) manufacturer:

Other Similar products are found below :

[892-18-020-10-001101](#) [58102-G61-06LF](#) [582553-1](#) [0009485154](#) [009176003701906](#) [0050291907](#) [LY20-4P-DT1-P1E-BR](#) [02.125.8002.8](#)
[609-3404](#) [61062-3](#) [61082-181009](#) [622-3653LF](#) [63453-116](#) [636-1030](#) [636-1427](#) [636-3427](#) [636-4007](#) [641938-9](#) [641991-4](#) [644827-2](#) [65817-](#)
[010LF](#) [65817-015LF](#) [65863-015LF](#) [66207-023LF](#) [67095-007LF](#) [67601157](#) [68645-018](#) [68648-049](#) [70.362.1628.0](#) [70-4210](#) [70-4226B](#) [70-](#)
[4853B](#) [707-5020](#) [707-5028](#) [71.350.2428.0](#) [71918-208LF](#) [71961-016LF](#) [733-134](#) [733-162](#) [754199-000](#) [760-3052](#) [787-8014-00](#) [79531-3000](#)
[FCN-360C032-B](#) [FCN-367T-T012/H](#) [FCN-723D010/2](#) [80.063.4001.1](#) [800-90-001-10-001000](#) [800-90-010-10-002000](#) [801-43-002-10-013000](#)