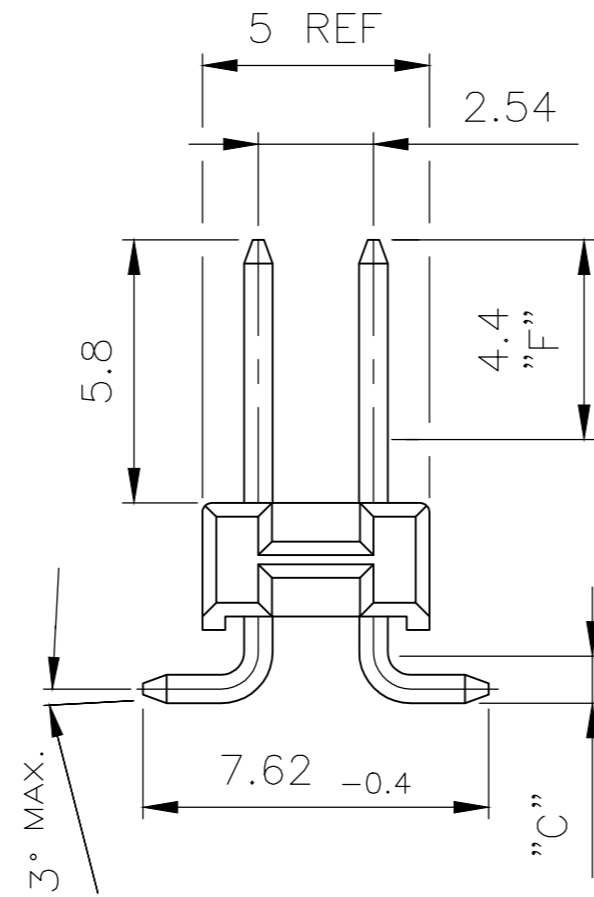
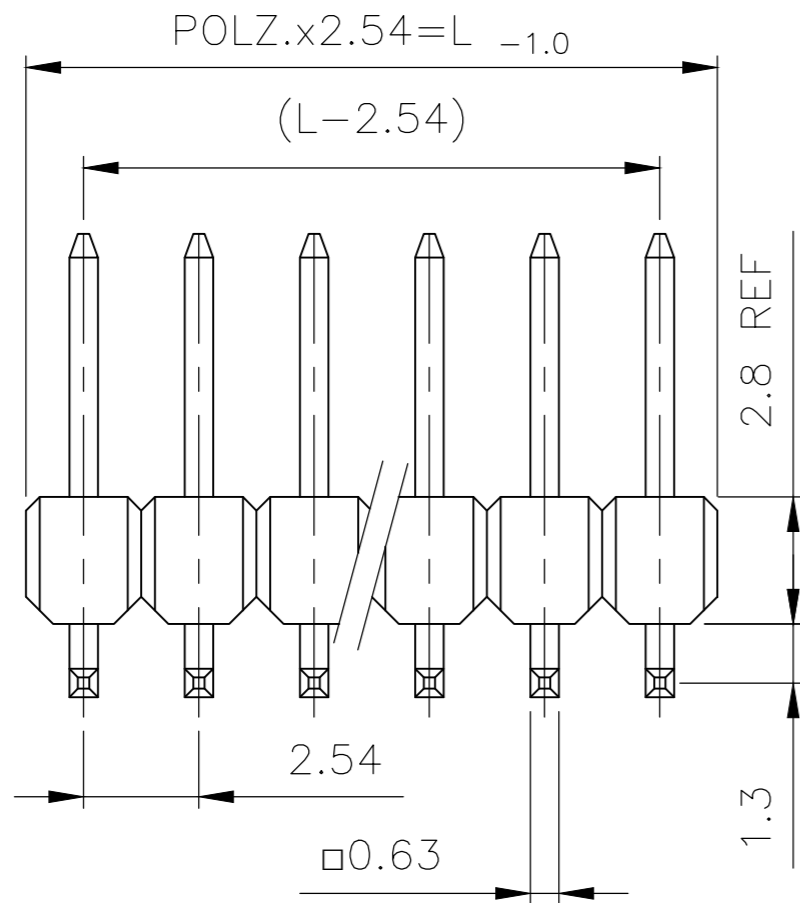


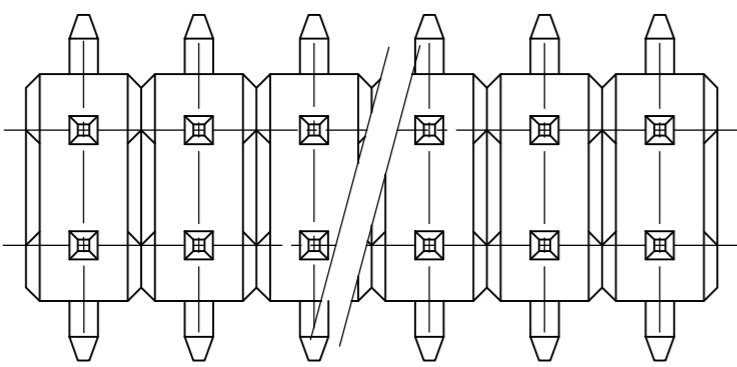
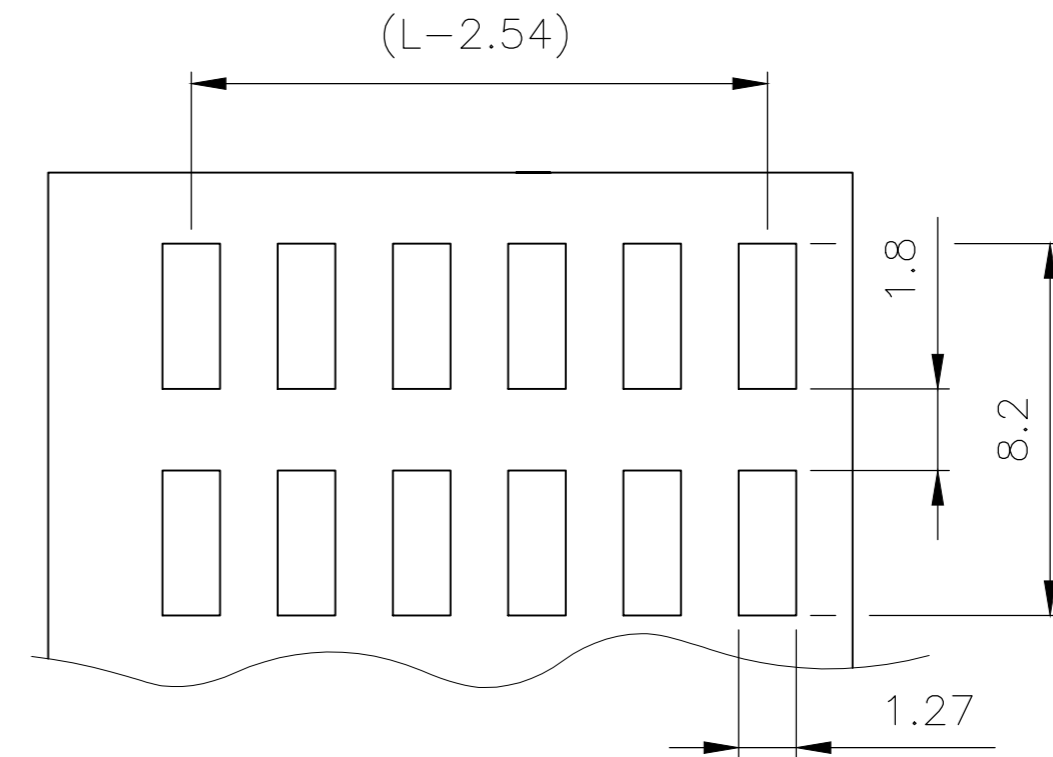
THIS DRAWING IS UNPUBLISHED. RELEASED FOR PUBLICATION SEP., 1998.  
 © COPYRIGHT 2010 By - ALL RIGHTS RESERVED.

REVISIONS				
P	LTR	DESCRIPTION	DATE	APVD
B1		Reel dia change to 380mm for 2 parts	28JUN2018	KJK PS

Pos.	L <sub>-1.0</sub>
2	5,08
3	7,62
4	10,16
5	12,7
6	15,24
7	17,78
8	20,32
9	22,86
10	25,4
11	27,94
12	30,48
13	33,02
14	35,56
15	38,1
16	40,64
17	43,18



EMPFOLHENES LEITERPLATTEN LAYOUT  
 RECOMMENDED PCB-LAYOUT



1 MATING SIDE: WITHIN THE RANGE "F" MIN. 0.7µm PdNi + MIN. 0.1µm GOLD FLASH OVER 1.27µm Ni  
 SOLDER SIDE: WITHIN THE RANGE "C" MIN. 3.0µm TIN OVER 1.27µm Ni

STECKSEITE: IM BEREICH "F" MIN. 0.7µm PdNi + MIN. 0.1µm GOLD ÜBER 1.27µm Ni  
 LÖTSEITE: IM BEREICH "C" MIN. 3.0µm ZINN ÜBER 1.27µm Ni

KONTAKTSTIFT / CONTACT PIN	Cu Zn	1	2
STIFTGEHÄUSE / PIN HOUSING	PCT-GV	SCHWARZ / BLACK	1
BENENNUNG EINZELTEIL PART DESCRIPTION	WERKSTOFF MATERIAL	OBERFLÄCHE / FARBE SURFACE / COLOR	SI No

THIS DRAWING IS A CONTROLLED DOCUMENT.		DWN F.REICHARDT 16-SEP-98	TE Connectivity Ltd.	
DIMENSIONS: mm		CHK M.SCHAARSCHMIDT 16-SEP-98	NAME AMPMODU II PIN HEADER PACKED IN BLISTER	
TOLERANCES UNLESS OTHERWISE SPECIFIED: TOL ± 0.2		APVD G.FELDMEIER	PRODUCT SPEC 108-18012	
MATERIAL SEE TABLE		FINISH SEE TABLE	SIZE A2	CAGE CODE 00779
		WEIGHT	DRAWING NO C=1241050	RESTRICTED TO
		CUSTOMER DRAWING	SCALE 6:1	SHEET 1 of 3
			REV B1	

4 3 2 1

THIS DRAWING IS UNPUBLISHED. RELEASED FOR PUBLICATION SEP. 1998. ALL RIGHTS RESERVED. COPYRIGHT 2010 BY -

REVISIONS TABLE

M1:2 M1:2 330 REF

VIEW Y ANSICHT Y 4 REF 16 4 3 2 5 X SEE SHEET 2 OF 2 SIEHE SEITE 2 VON 2

NOTES: 1 SEE SHEET 1 OF 3 2 PACKING: 350 PINHEADERS WITH ADAPTER PER REEL 6.8m BLISTER PER REEL 6.8m COVER TAPE 3 DIRECTION OF THE TOP OF THE REEL 4 COVER TAPE WITH BLISTER BELT WELDED 5. PACKING ACCORDING DIN/IEC 286 RESPECTIVE EIA 481 INCLUSIVE DECLARATIONS ABOUT THE FIRST AND LAST RUNNING (DIN/IEC 286 PART 3) 6. ARRANGEMENT OF PIN HEADERS IN BLISTER BELT SEE SHEET 2 OF 3 7 PACKING: 300 PINHEADERS WITH ADAPTER PER REEL 6.0m BLISTER PER REEL 6.0m COVER TAPE 8 OBSOLETE 9 FOR PN 1-1241050-2 AND 1-1241050-3 PACKAGING REEL DIAMETER IS 380mm REF.

BEMERKUNGEN: 1 SIEHE BLATT 1 VON 3 2 VERPACKUNG: 350 STIFTLAISTEN MIT ADAPTER PRO SPULE 6.8m BLISTER PRO SPULE 6.8m ABDECKFOLIE PRO SPULE 3 ABWICKELRICHTUNG 4 ABDECKFOLIE MIT BLISTERGURT VERSCHWEIßt 5. VERPACKUNG ENTSPRECHEND DIN/IEC 286 BZW. EIA 481 INKLUSIVE ANGABEN ÜBER DEN VOR- UND NACHLAUF (DIN/IEC 286 TEIL 3) 6. ANORDNUNG DER STIFTLAISTEN IM BLISTERGURT SIEHE BLATT 2 VON 3 7 VERPACKUNG: 300 STIFTLAISTEN MIT ADAPTER PRO SPULE 6.0m BLISTER PRO SPULE 6.0m ABDECKFOLIE PRO SPULE 8 OBSOLET 9 FÜR PN 1-1241050-2 UND 1-1241050-3 VERPACKUNGSROLLENMESSER IST 380MM REF

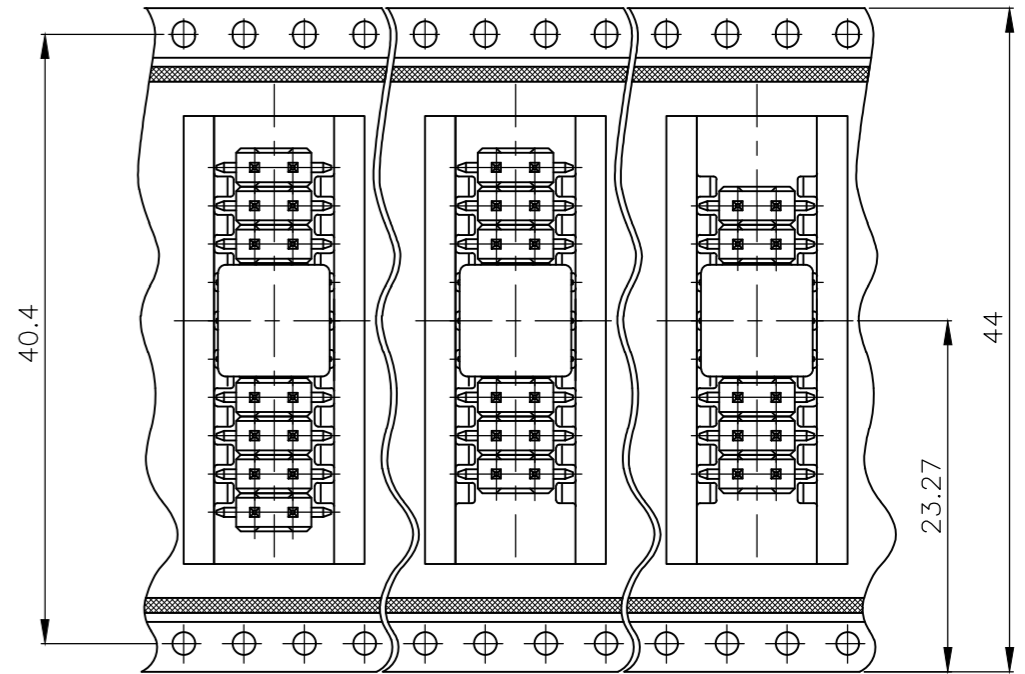
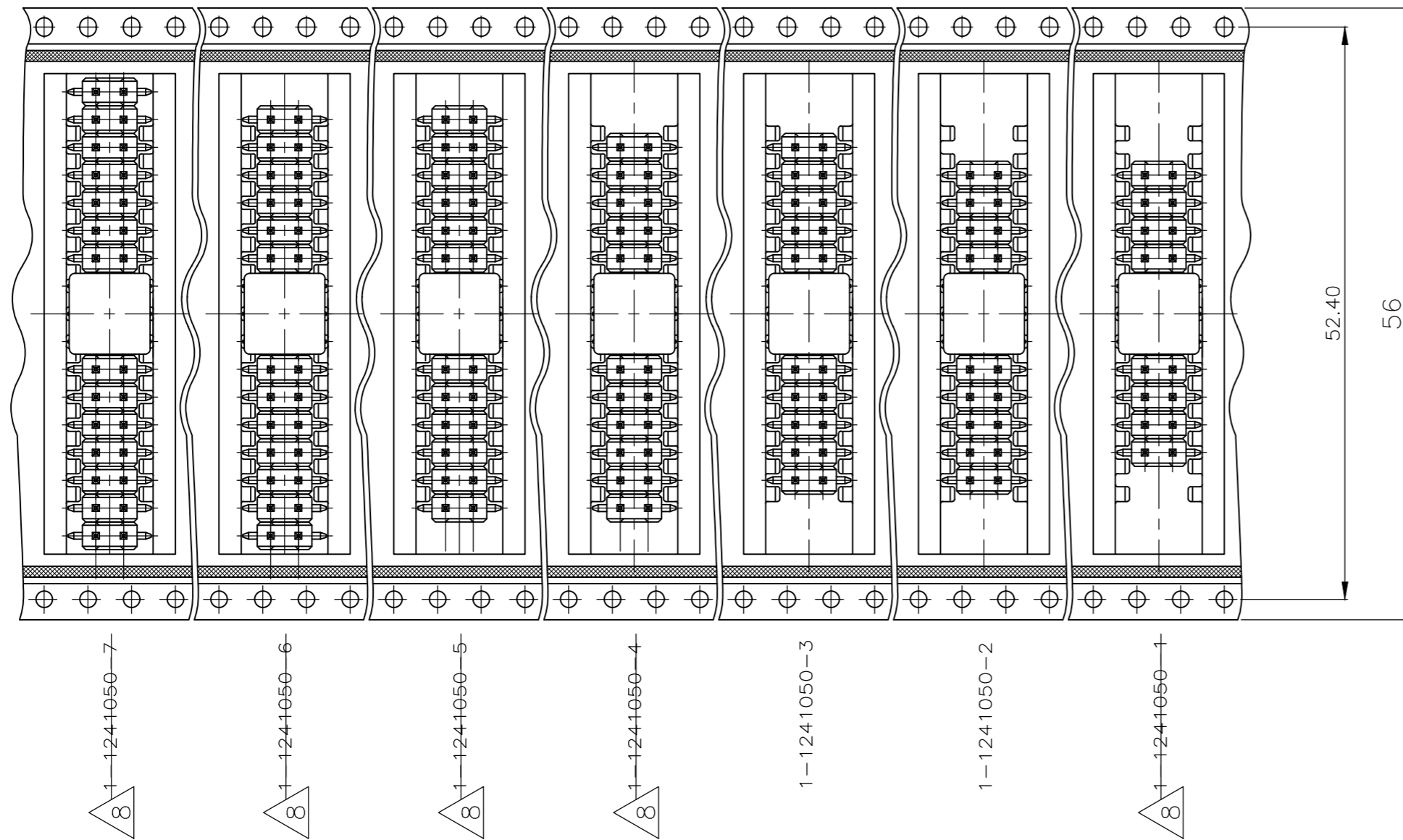
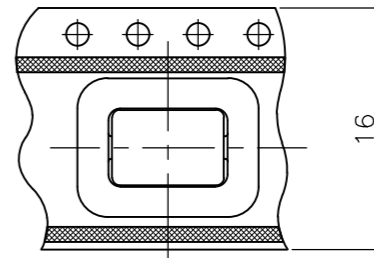
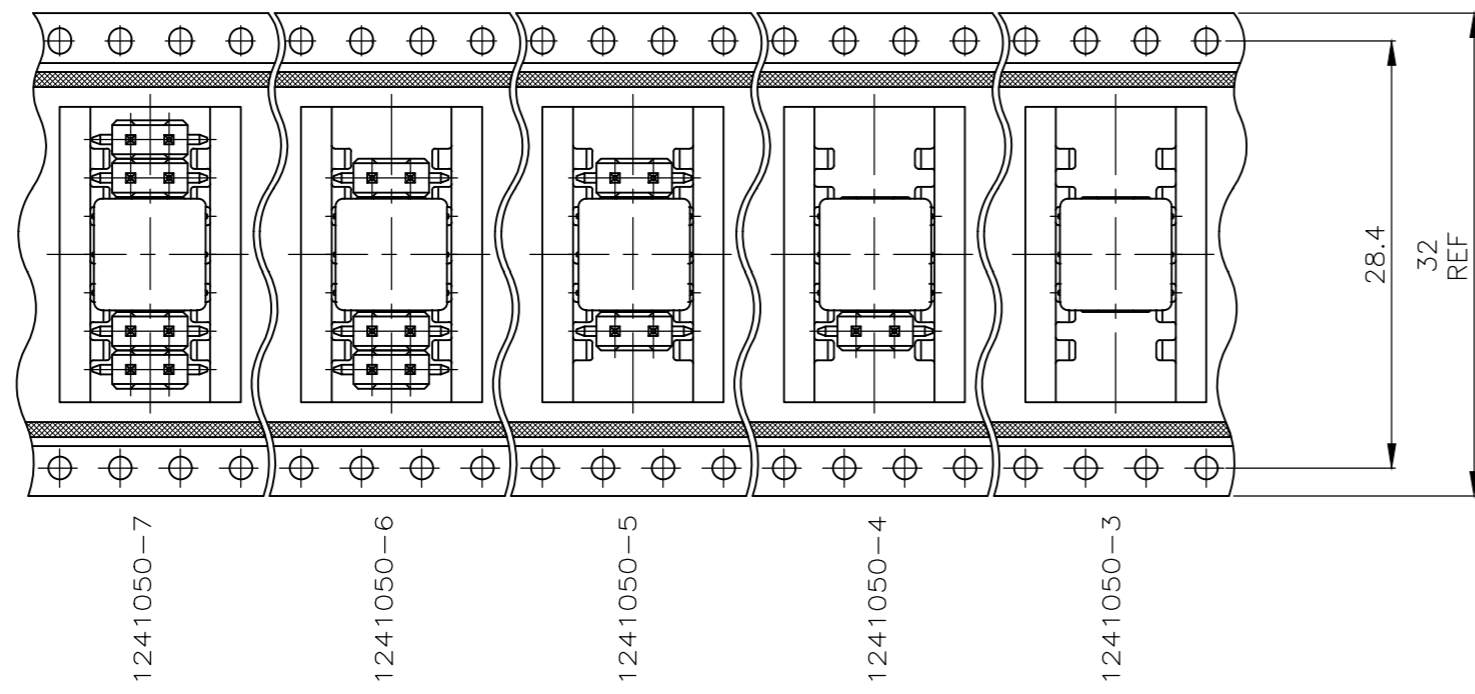
Table with 10 columns and 10 rows containing part numbers, quantities, descriptions, materials, and surface colors.


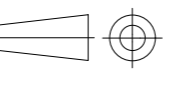
THIS DRAWING IS A CONTROLLED DOCUMENT. DIMENSIONS: mm TOLERANCES UNLESS OTHERWISE SPECIFIED: 0 PLC ± 0.2 1 PLC ± 0.1 2 PLC ± 0.1 3 PLC ± - 4 PLC ± - ANGLES ± - MATERIAL: SEE TABLE SIEHE TABELLE FINISH: SEE TABLE SIEHE TABELLE CUSTOMER DRAWING SCALE: 1:1 SHEET: 2 of 3 REV: B1

1471-9 (1/15) 1241050

THIS DRAWING IS UNPUBLISHED. RELEASED FOR PUBLICATION SEP, 1998.  
 © COPYRIGHT 2010 By - ALL RIGHTS RESERVED.

REVISIONS				
P	LTR	DESCRIPTION	DATE	APVD
-	-	SEE SHEET 1	-	-



THIS DRAWING IS A CONTROLLED DOCUMENT.		DWN F. REICHARDT 16-SEP-98	 TE Connectivity Ltd.	
DIMENSIONS: mm		CHK M. SCHAARSCHMIDT 16-SEP-98		
		APVD G. FELDMEIER	NAME AMPMODU II PIN HEADER PACKED IN BLISTER	
TOLERANCES UNLESS OTHERWISE SPECIFIED:		PRODUCT SPEC 108-18012	RESTRICTED TO	
0 PLC ± 0.2		APPLICATION SPEC	SIZE A2	CAGE CODE 00779
1 PLC ± 0.1		WEIGHT	DRAWING NO. C-1241050	
2 PLC ± 0.1		FINISH	SCALE 1:1	
3 PLC ± -		MATERIAL	SHEET 3 of 3	
4 PLC ± -		CUSTOMER DRAWING	REV B1	
ANGLES ± -				

## X-ON Electronics

Largest Supplier of Electrical and Electronic Components

*Click to view similar products for [Headers & Wire Housings](#) category:*

*Click to view products by [TE Connectivity](#) manufacturer:*

Other Similar products are found below :

[892-18-020-10-001101](#) [58102-G61-06LF](#) [582553-1](#) [0009485154](#) [009176003701906](#) [0050291907](#) [LY20-4P-DT1-P1E-BR](#) [02.125.8002.8](#)  
[609-3404](#) [61062-3](#) [61082-181009](#) [622-3653LF](#) [63453-116](#) [636-1030](#) [636-1427](#) [636-3427](#) [636-4007](#) [641938-9](#) [641991-4](#) [644827-2](#) [65817-](#)  
[010LF](#) [65817-015LF](#) [65863-015LF](#) [66207-023LF](#) [67095-007LF](#) [67601157](#) [68645-018](#) [68648-049](#) [70.362.1628.0](#) [70-4210](#) [70-4226B](#) [70-](#)  
[4853B](#) [707-5020](#) [707-5028](#) [71.350.2428.0](#) [71918-208LF](#) [71961-016LF](#) [733-134](#) [733-162](#) [754199-000](#) [760-3052](#) [79531-3000](#) [FCN-](#)  
[360C032-B](#) [FCN-367T-T012/H](#) [FCN-723D010/2](#) [80.063.4001.1](#) [800-90-010-10-002000](#) [801-43-002-10-013000](#) [801-43-006-10-002000](#)  
[801-93-011-10-001000](#)