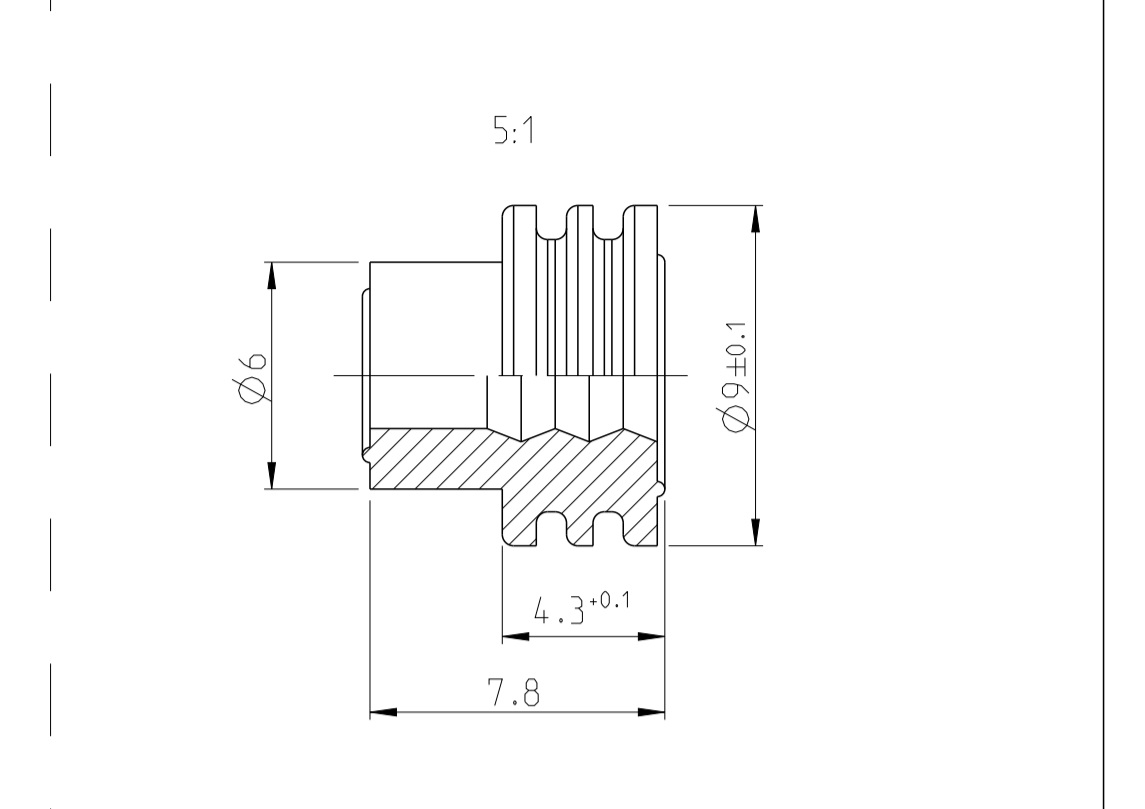
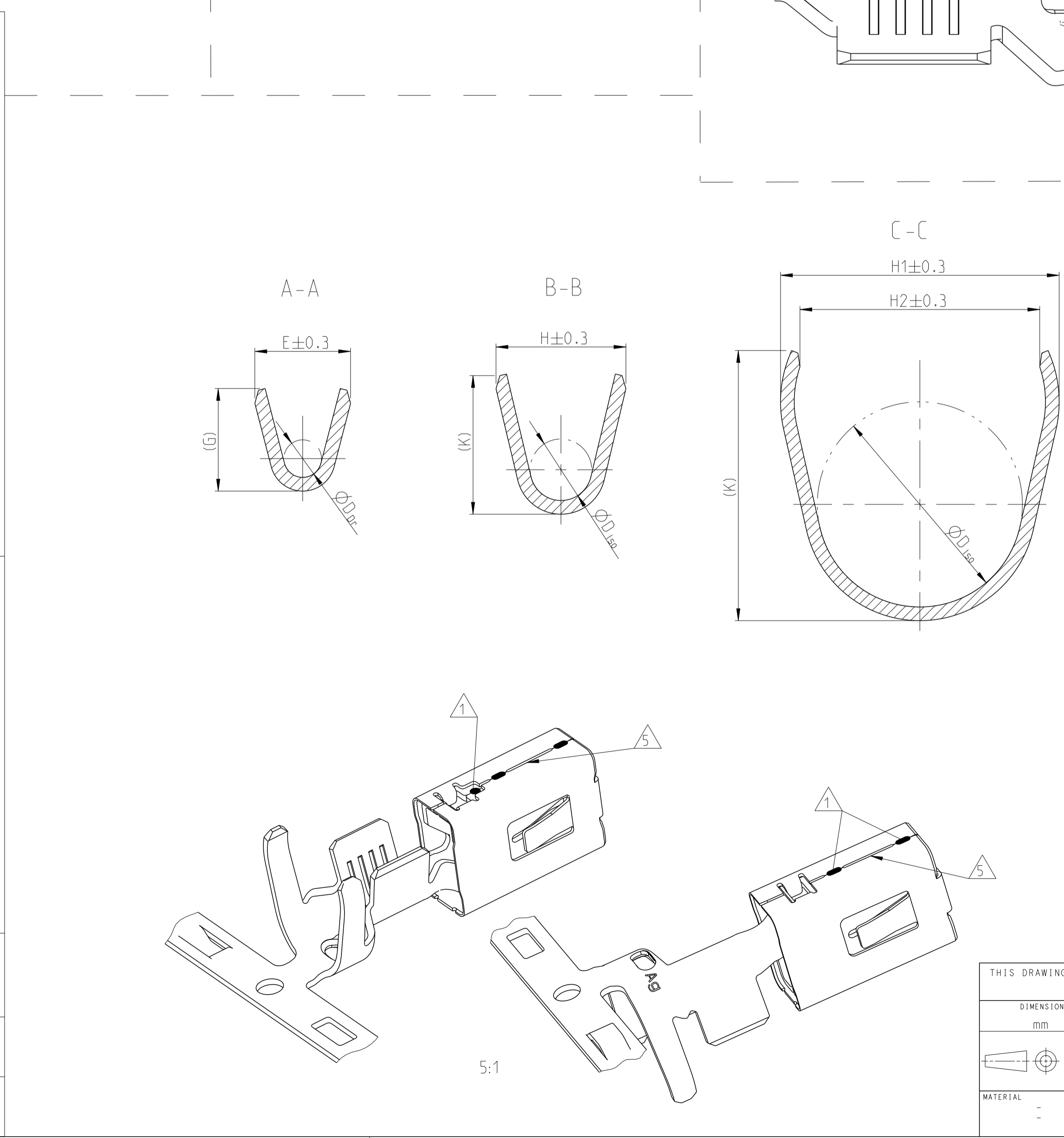


LOC	DIST	REVISIONS					
A1	-	P	LTN	DESCRIPTION	DATE	DWN	APVD
		A13		Dimension 1.05 was at misleading position	11JAN2017	MAH.	BECK
		A14		Dimension min. 1.25 was at misleading position	08AUG2017	FRAN	BECK
		A15		NEW VARIANT 5-1241400-1; 5-1241410-1 and 5-1241410-3	09APR2018	FRAN	BECK
		A16		NEW PN 1-233350-3; 1-233351-3; 1-233352-3 AT SHEET 2	03DEC2020	FRAN	BECK

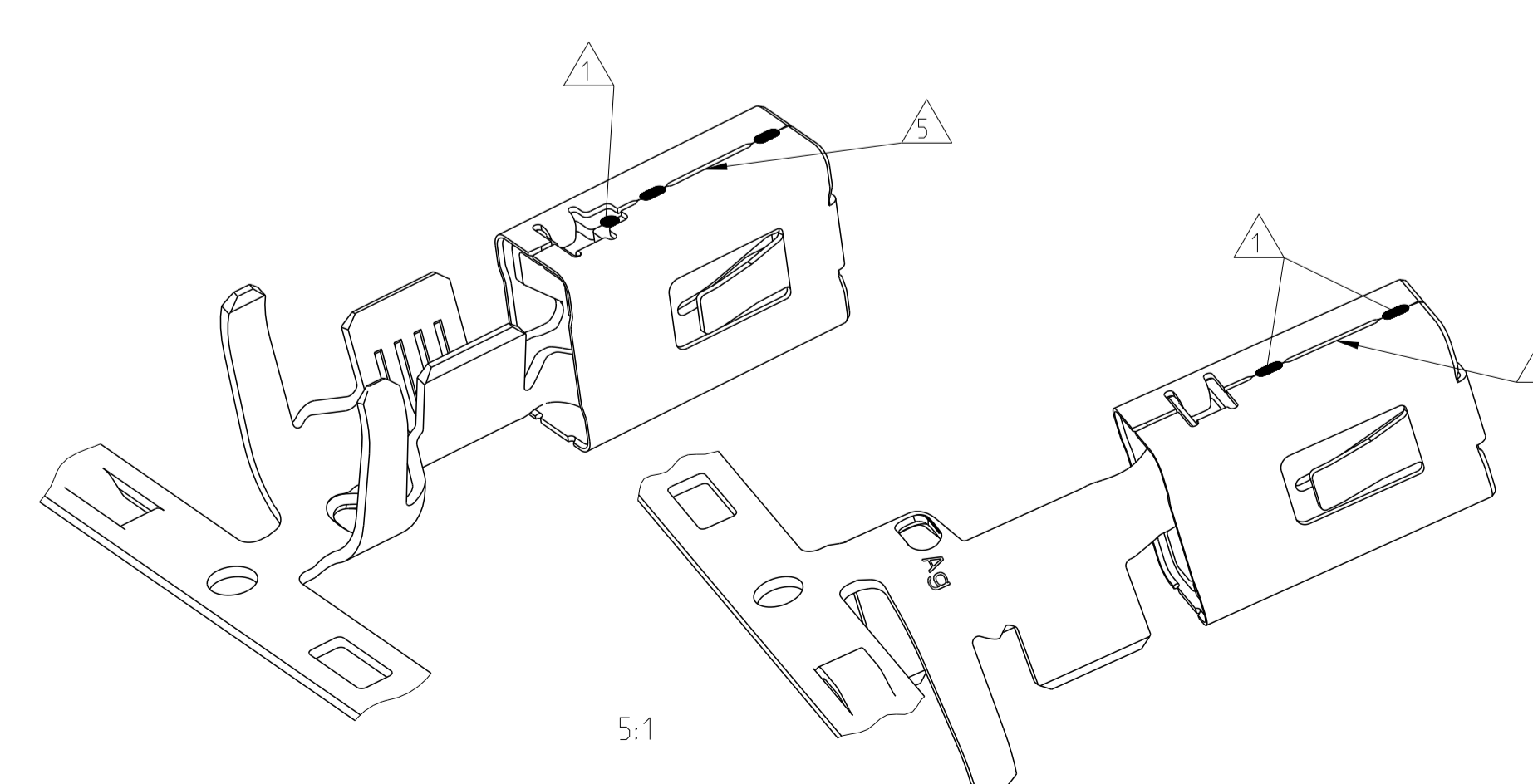


SINGLE WIRE SEAL Einzeldichtung		
ORDER NO. Bestell-Nr.	INSULATION-Ø Isolations-Ø	COLOUR Farbe
2177018-1	1.2-2.0	YELLOW gelb
1394511-1	2.0-2.7	WHITE weiss
1823111-1	2.7-3.0	REDBROWN rotbraun
1394512-1	3.4-3.7	BLUE blau
1719043-1	4.0-4.5	GREEN gruen

ORDER NO. STRIP Bestell-Nr. Bandware	Rev.	WIRE RANGE Drahtgrößen Bereich (mm 2)	INSULATION-Ø Isolations-Ø (mm)	MATERIAL Werkstoff	SURFACE IN CONTACT AREA Oberfläche im Kontaktbereich	CRIMP DIMENSION Crimpabmessungen				WIRE CRIMP Drahtcrimp	INSULATION CRIMP Isolations Crimp
						A	B	C	F		
1241418-4	A				TIN PLATED / SnAg verzinkt / SnAg					E = 5.3 G = 5.6 D <sub>Dr</sub> = 2.9	H1= 8.15 H2= 7.0 K = 7.9 D <sub>Iso</sub> = 6.0
2-1241418-3	A	4.0-6.0	3.4-4.3	CuNiSi	SILVER PLATED versilbert	4.5	6.9	8.7	20.95		
1-1241418-3	A				SILVER PLATED versilbert						
1241416-3	A				SILVER PLATED versilbert					E = 4.6 G = 4.8 D <sub>Dr</sub> = 2.4	H1= 8.15 H2= 7.0 K = 7.9 D <sub>Iso</sub> = 6.0
1241416-1	A	>2.5-4.0	3.4-4.5	CuNiSi	TIN PLATED verzinkt	4.0	5.9	7.7	19.95		
1241414-3	A				SILVER PLATED versilbert					E = 3.8 G = 4.0 D <sub>Dr</sub> = 1.7	H1= 8.15 H2= 7.0 K = 7.9 D <sub>Iso</sub> = 5.7
1241414-1	A	>1.0-2.5	2.2-3.7	CuNiSi	TIN PLATED verzinkt	3.5	5.9	7.7	19.95		
1241412-3	A				SILVER PLATED versilbert					E = 2.8 G = 3.0 D <sub>Dr</sub> = 1.1	H1= 7.8 H2= 6.7 K = 7.5 D <sub>Iso</sub> = 5.5
1241412-1	A	0.5-1.0	1.4-2.7	CuNiSi	TIN PLATED verzinkt	3.0	5.4	7.2	19.95		
5-1241410-3	A				SILVER PLATED versilbert					E = 2.2 G = 2.2 D <sub>Dr</sub> = 0.8	H1= 7.7 H2= 6.6 K = 7.5 D <sub>Iso</sub> = 5.5
1241410-3	A	0.35-0.5	1.2-2.3	CuNiSi	SILVER PLATED versilbert	2.5	4.9	6.7	19.95		
5-1241410-1	A				TIN PLATED verzinkt						
1241410-1	A				TIN PLATED verzinkt						
2-1241408-3	A				SILVER PLATED versilbert					E = 5.3 G = 5.6 D <sub>Dr</sub> = 2.9	H = 6.7 K = 7.0 D <sub>Iso</sub> = 3.9
1-1241408-3	A	4.0-6.0	3.4-4.3	CuNiSi	SILVER PLATED versilbert	4.5	6.0	7.8	19.95		
1241408-1	A				TIN PLATED verzinkt						
1241406-3	A				SILVER PLATED versilbert					E = 4.6 G = 4.8 D <sub>Dr</sub> = 2.4	H = 6.4 K = 6.7 D <sub>Iso</sub> = 4.0
1241406-1	A	>2.5-4.0	3.4-4.5	CuNiSi	TIN PLATED verzinkt	4.0	5.2	6.8	19.05		
1241404-3	A				SILVER PLATED versilbert					E = 3.8 G = 4.0 D <sub>Dr</sub> = 1.7	H = 4.7 K = 4.9 D <sub>Iso</sub> = 2.6
1241404-1	A	>1.0-2.5	2.2-3.0	CuNiSi	TIN PLATED verzinkt	3.5	4.7	6.3	19.05		
1241402-3	A				SILVER PLATED versilbert					E = 2.8 G = 3.0 D <sub>Dr</sub> = 1.1	H = 3.8 K = 4.1 D <sub>Iso</sub> = 1.8
1241402-1	A	0.5-1.0	1.4-2.1	CuNiSi	TIN PLATED verzinkt	3.0	4.2	5.8	19.05		
5-1241400-1	A				TIN PLATED verzinkt					E = 2.2 G = 2.2 D <sub>Dr</sub> = 0.8	H = 3.1 K = 3.1 D <sub>Iso</sub> = 1.4
1241400-1	A	0.2-0.5	1.1-1.6	CuNiSi	TIN PLATED verzinkt	2.5	3.8	6.6	19.05		



- NOTES  
Bemerkungen
- LASER WELDED  
Lasergeschweisht
  - SINGLE WIRE SEAL TO BE SELECTED ACCORDING TO INSULATION-Ø  
Auswahl der Einzeldichtung entsprechend dem Isolations-Ø
  - DIFFERENT FORM AND NUMBER OF THE SERRATIONS POSSIBLE  
Unterschiedliche Ausfuehrung und Anzahl der Ritzen moeglich
  - SILVER PLATED VERSIONS ARE MARKED WITH "Ag"  
Versilberte Versionen sind mit "Ag" gekennzeichnet
  - DIFFERENT ASSEMBLY CAUSED BY PRODUCTION OF THE SPRING ON THE BODY.  
SPOTWELDS CAN BE ABOVE OR DOWN.  
Fertigungsbedingte unterschiedliche Montage der Ueberfeder auf dem Body moeglich.  
Der Stoss kann sich oben oder unten befinden.
  - USED WITH TAB  $0.8 \pm 0.03 \text{mm} \times 4.8 \dots 6.3 \pm 0.1 \text{mm}$   
Verwendet mit Flachstecker  $0.8 \pm 0.03 \text{mm} \times 4.8 \dots 6.3 \pm 0.1 \text{mm}$
  - "Ag"- MARKING ON SILVER PLATED VERSIONS FOR INCREASED LIMIT TEMPERATURE  
"Ag"- Markierung auf versilberten Versionen fuer erhoehte Grenztemperatur
  - 1241400-1 nicht fuer Neuanwendungen, wird ersetzt durch 5-1241400-1  
1241410-1 nicht fuer Neuanwendungen, wird ersetzt durch 5-1241410-1  
1241410-3 nicht fuer Neuanwendungen, wird ersetzt durch 5-1241410-3  
1241400-1 SUPERSEDED BY PN 5-1241400-1  
1241410-1 SUPERSEDED BY PN 5-1241410-1  
1241410-3 SUPERSEDED BY PN 5-1241410-3

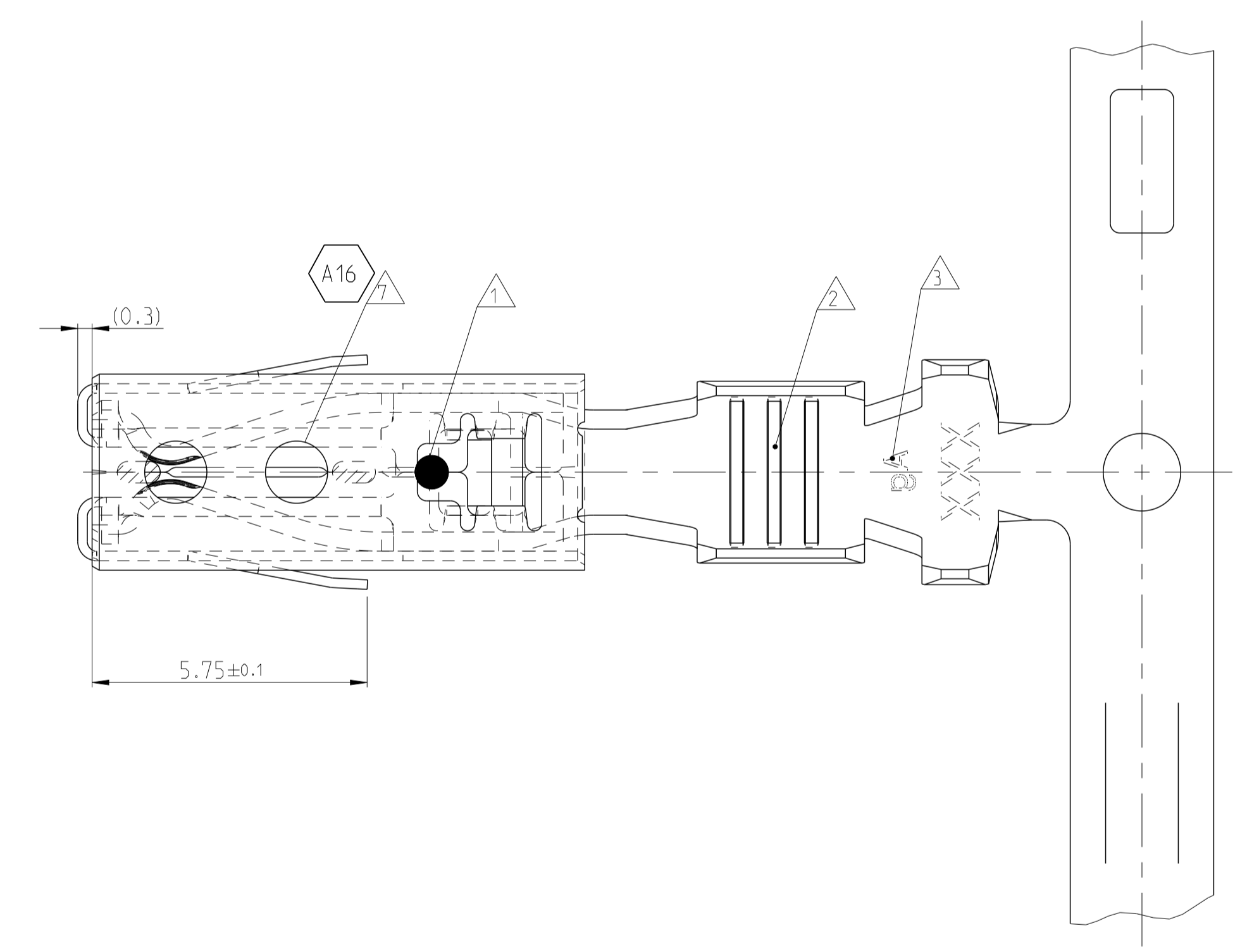
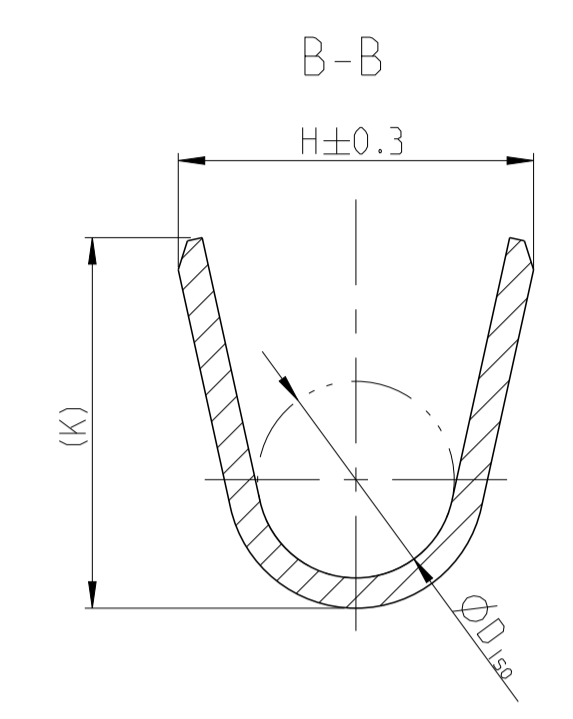
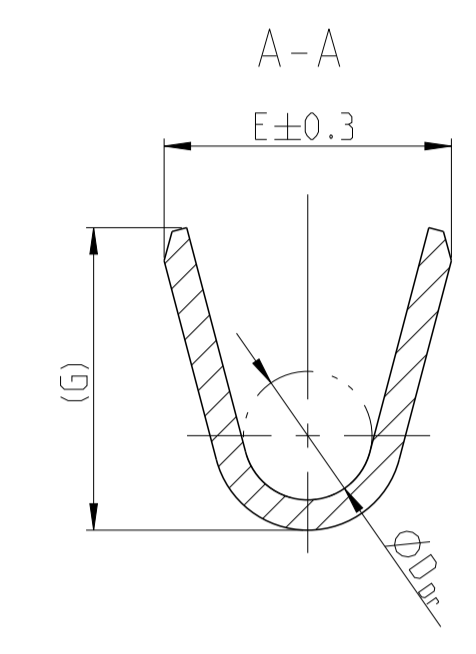
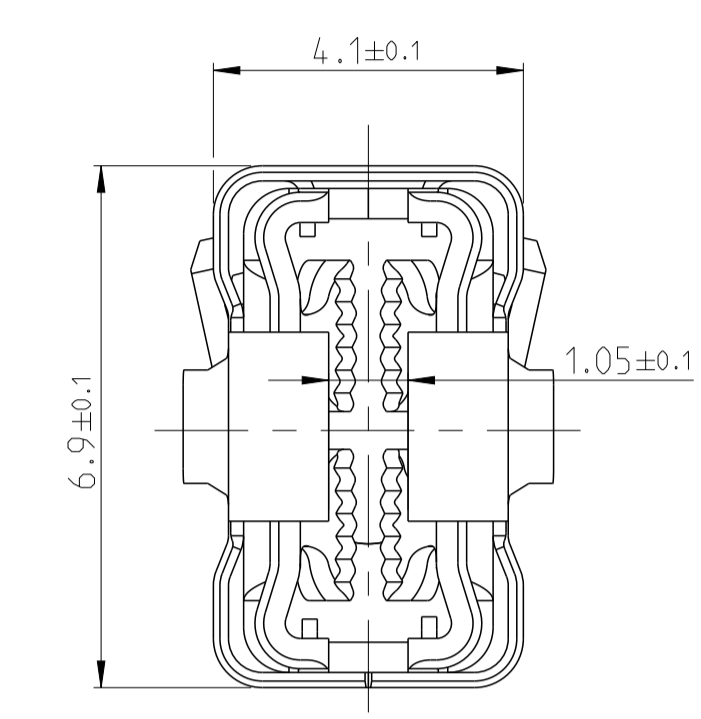
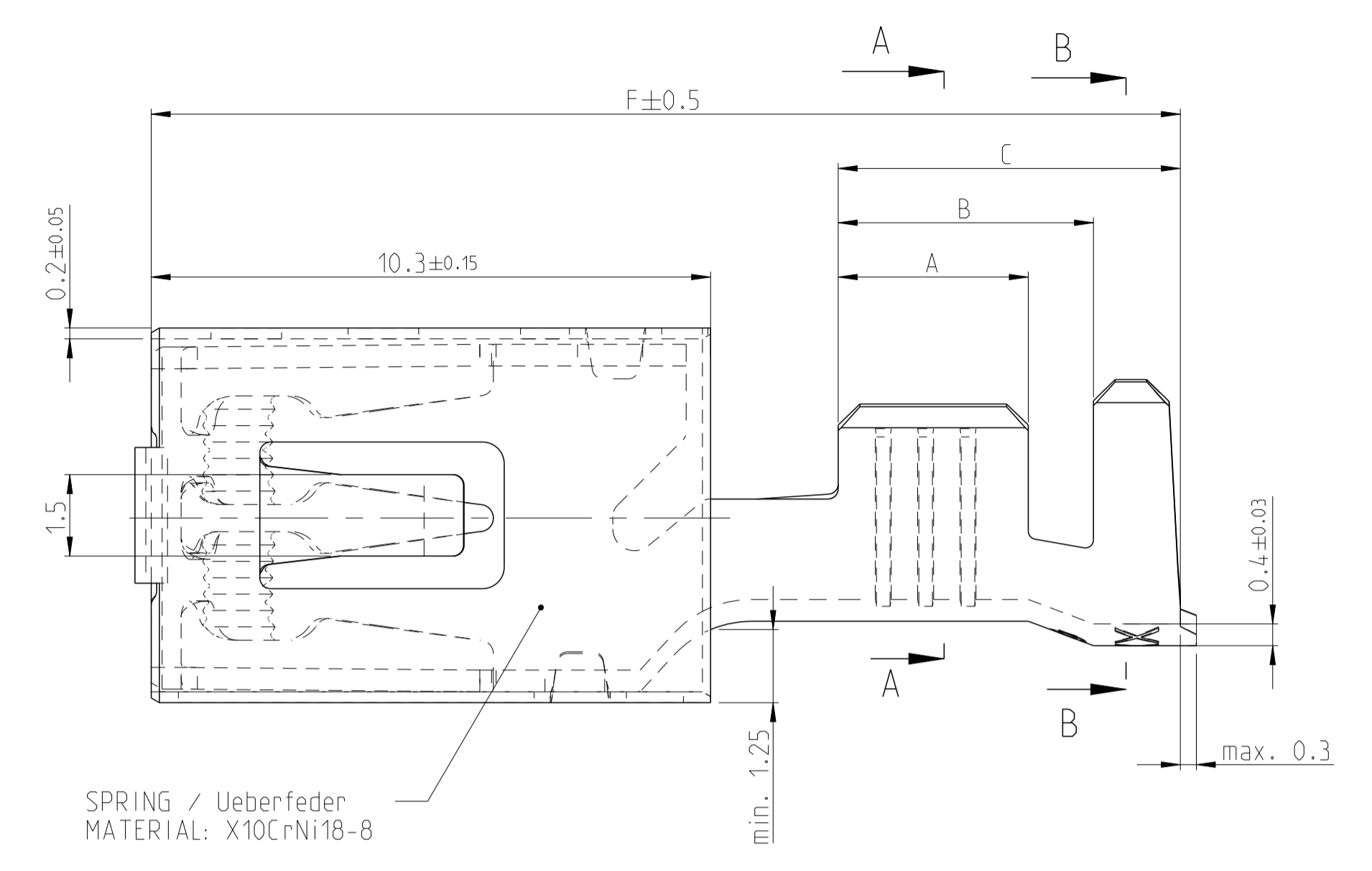


THIS DRAWING IS A CONTROLLED DOCUMENT.		OWN R. Meier	03DEC2001	TE Connectivity NAME AMP MCP6.3/4.8K FLATCONTACT AMP MCP6.3/4.8K Flachkontakt PRODUCT GROUP DRAWING
DIMENSIONS: mm		CHK R. Schaefer	03DEC2001	
TOLERANCES UNLESS OTHERWISE SPECIFIED: ±0.2		APVD M. Bleicher	28OCT2011	SIZE 114-18388
MATERIAL		FINISH	WEIGHT	RESTRICTED TO
Customer Drawing		SCALE	5:1	SHEET 1 OF 2

LOC	DIST	REV	DATE	BY	APPV
A1	-				

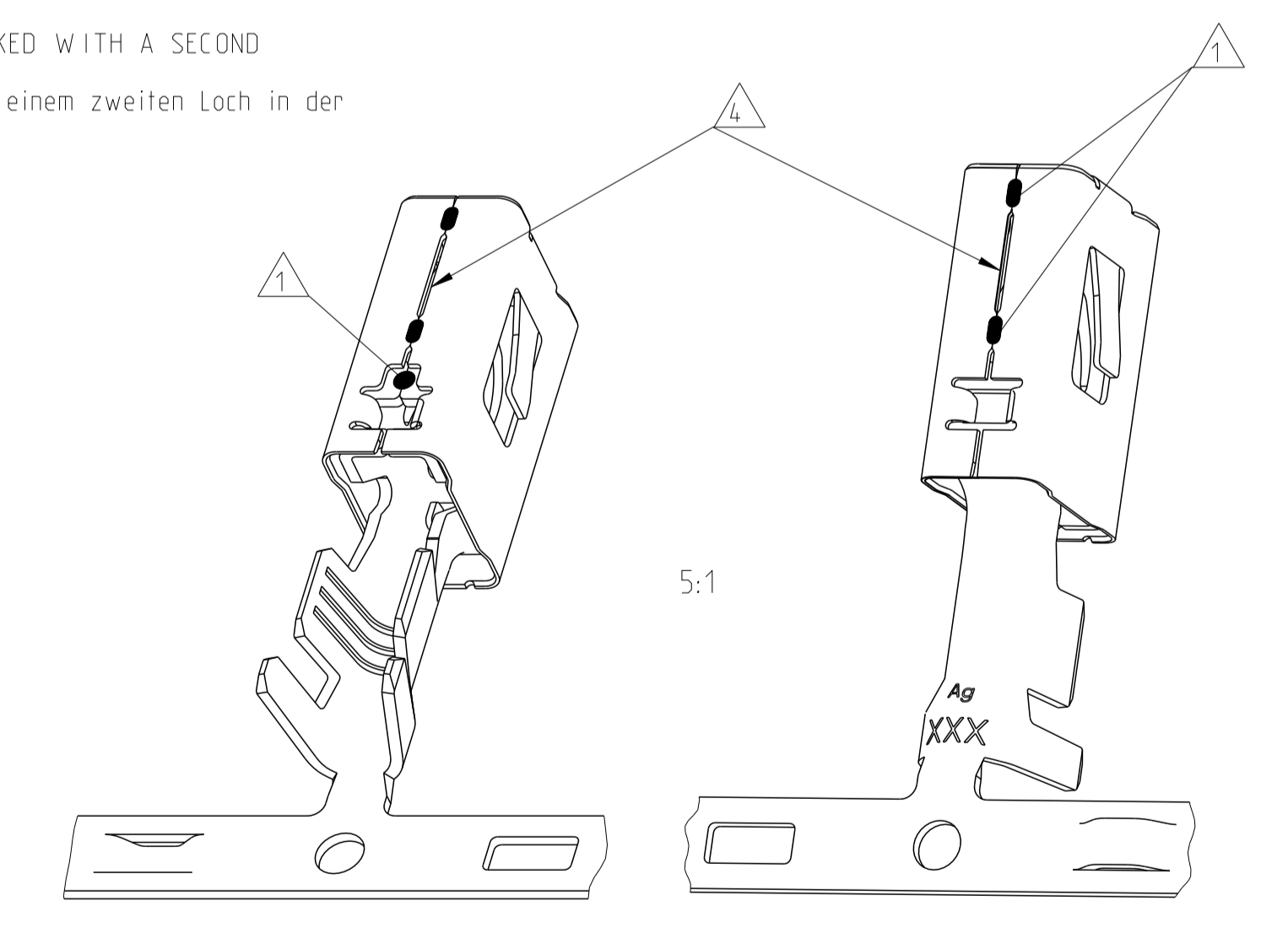
# AMP MCP 6.3/4.8K FOR FUSES

## AMP MCP 6.3/4.8K fuer Sicherungen



**NOTES**  
Bemerkungen

- 1 LASERWELDED  
Lasergeschweisst
- 2 DIFFERENT FORM AND NUMBER OF THE SERRATIONS POSSIBLE  
Unterschiedliche Ausfuehrung und Anzahl der Rillen moeglich
- 3 SILVER PLATED VERSIONS ARE MARKED WITH "Ag"  
Versilberte Versionen sind mit "Ag" gekennzeichnet
- 4 DIFFERENT ASSEMBLY CAUSED BY PRODUCTION OF THE SPRING ON THE BODY.  
SPOTWELDS CAN BE ABOVE OR DOWN.  
Fertigungsbedingte unterschiedliche Montage der Ueberfeder auf dem Body moeglich.  
Der Stoss kann sich oben oder unten befinden.
- A16 5 USED WITH MEDIUM FUSE 0.64±0.04mm x 5.25 ±0.15mm  
( COMPLIANT WITH ATO® FUSE TECHNOLOGY )  
ATO® IS A REGISTERED TRADE MARK OF LITTELFUSE INC.  
Verwendet mit Medium Sicherung 0.64±0.04mm x 5.25 ±0.15mm  
( kompatibel mit ATO®-fuse Technologie )  
ATO® ist ein eingetragener Markenname von Littelfuse Inc.
- A16 6 USED WITH MaxiCompact FUSE 0.81±0.03mm x 6.3±0.2mm  
MaxiCompact IS A REGISTERED TRADE MARK OF MTA  
Verwendet mit MaxiCompact Fuse 0.81±0.03mm x 6.3±0.2mm  
MaxiCompact ist ein eingetragener Markenname von MTA
- A16 7 MaxiCompact FUSE VERSIONS ARE MARKED WITH A SECOND HOLE AT THE SPRING  
MaxiCompact Fuse Versionen sind mit einem zweiten Loch in der Ueberfeder gekennzeichnet.



ORDER NO. STRIP Bestell-Nr. Bandware	Rev.	WIRE RANGE Drahtgroessen Bereich (mm 2)	INSULATION- Ø Isolations- Ø (mm)	MATERIAL Werkstoff	SURFACE IN CONTACT AREA Oberflaeche im Kontaktbereich	A	B	C	F	WIRE CRIMP Drahtcrimp	INSULATION CRIMP Isolations Crimp
1-2177995-3	A	>4.0-6.0	4.0-4.3	CuNiSi	SILVER PLATED versilbert	4.5	6.0	7.8	19.95	E = 5.3 G = 5.6 D <sub>Dr</sub> = 2.9	H = 6.7 K = 7.0 D <sub>Iso</sub> = 3.9
1-2333552-3	A	>2.5-4.0	3.3-4.5	CuNiSi	SILVER PLATED versilbert	4.0	5.2	6.8	19.05	E = 4.6 G = 4.8 D <sub>Dr</sub> = 2.4	H = 6.4 K = 6.7 D <sub>Iso</sub> = 4.0
1-2208461-3	A	>1.0-2.5	2.2-3.0	CuNiSi	SILVER PLATED versilbert	3.5	4.7	6.3	19.05	E = 3.8 G = 4.0 D <sub>Dr</sub> = 1.7	H = 4.7 K = 4.9 D <sub>Iso</sub> = 2.6
1-2333551-3	A	0.5-1.0	1.4-2.1	CuNiSi	SILVER PLATED versilbert	3.0	4.2	5.8	19.05	E = 2.8 G = 3.0 D <sub>Dr</sub> = 1.1	H = 3.8 K = 4.1 D <sub>Iso</sub> = 1.8
1-2208460-3	A										
1-2333550-3	A										
1-2208459-3	A										

THIS DRAWING IS A CONTROLLED DOCUMENT.

OWN: J. Kirschbaum 12DEC2013  
 CHK: A. Mairoser 13DEC2013  
 APVD: G. Goepfel 13DEC2013

TE Connectivity

AMP MCP6.3/4.8K FLATCONTACT  
 AMP MCP6.3/4.8K Flachkontakt  
 PRODUCT GROUP DRAWING

SIZE: A1 CAGE CODE: 00779 DRAWING NO: 1241438  
 WEIGHT: - RESTRICTED TO: -

Customer Drawing SCALE: 10:1 SHEET: 2 OF 2 REV: A16

## X-ON Electronics

Largest Supplier of Electrical and Electronic Components

*Click to view similar products for [Automotive Connectors](#) category:*

*Click to view products by [TE Connectivity](#) manufacturer:*

Other Similar products are found below :

[003-018-000](#) [60403001](#) [60993906-B](#) [M902-2131](#) [M902-2161](#) [72.330.1035.1](#) [73.353.4028.0](#) [F119300-B](#) [F166900](#) [F258300-B](#) [F358300-B](#)  
[F407400](#) [F444110](#) [F487000](#) [F509500B-B](#) [827153-1](#) [8N1515-32-24P](#) [9-1326729-8](#) [925474-1](#) [928905-1](#) [964562-4](#) [968782-1](#) [GT17SA-8DS-](#)  
[HU](#) [98891-1012](#) [98947-1016](#) [12004147](#) [12004475-L](#) [12010290](#) [12010309-B](#) [12015454](#) [12020219-B](#) [12020308](#) [12041318-B](#) [12052225-L](#)  
[12052466](#) [12059125](#) [12064869](#) [12004327-B](#) [12010503-B](#) [12015308](#) [12015384](#) [12015909](#) [1-21030-1](#) [12041254](#) [12041318](#) [12047946-B](#)  
[12047957](#) [12047957-L](#) [12059473](#) [12066261](#)