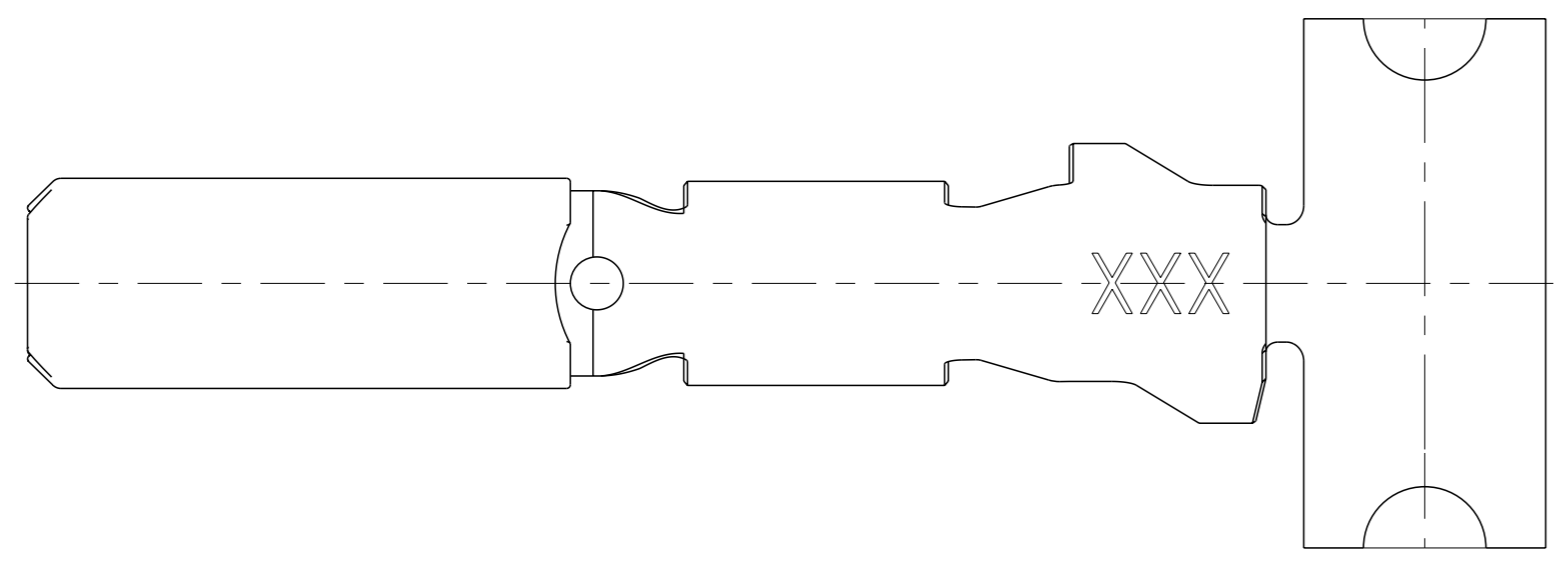
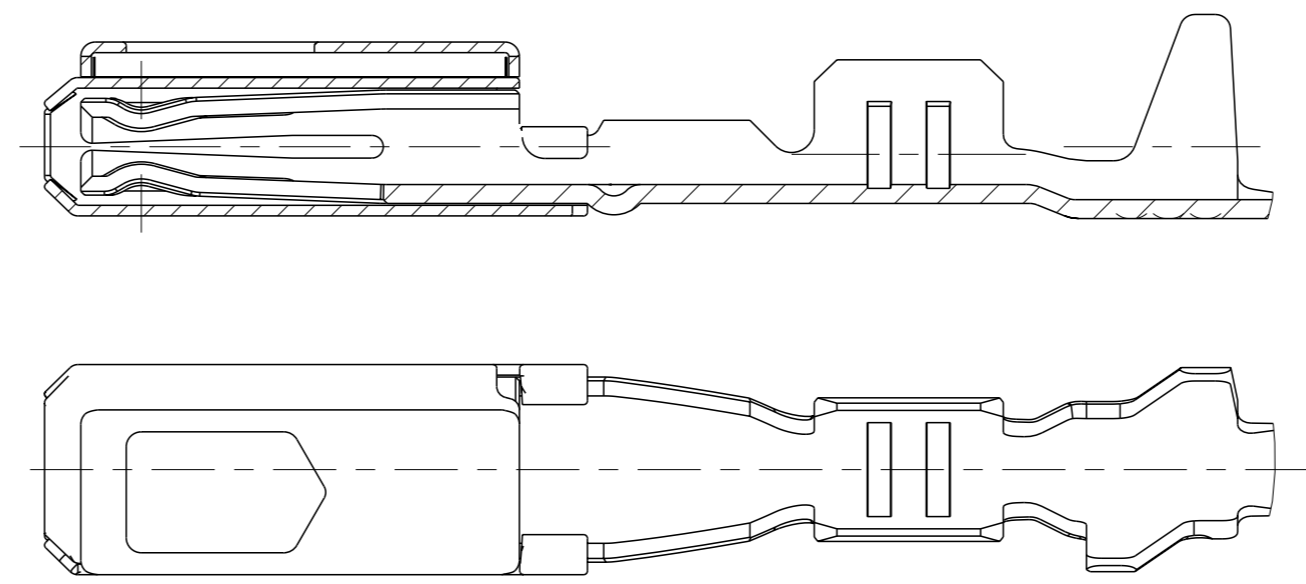


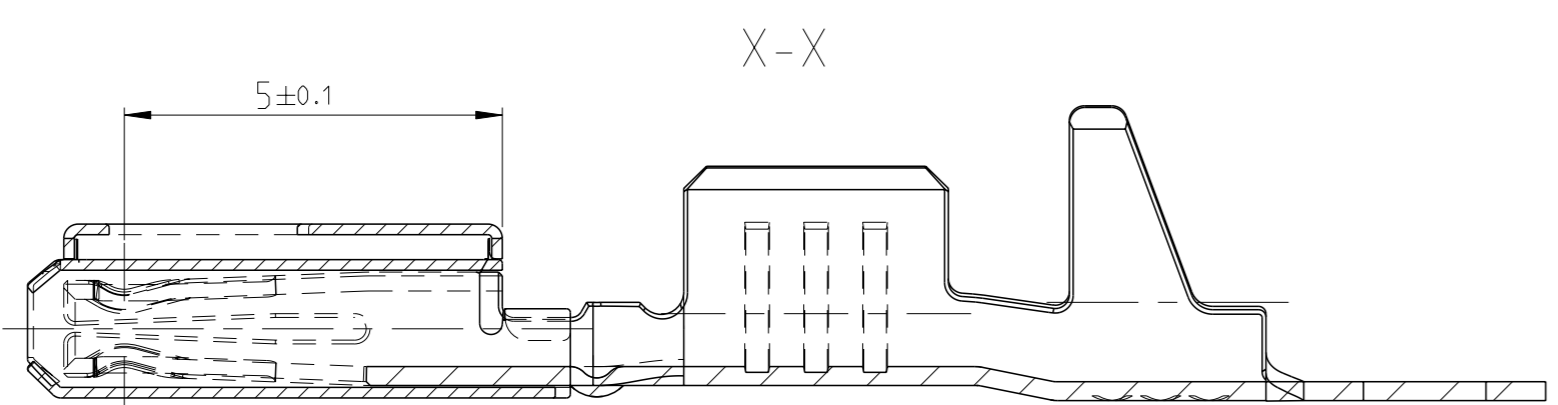
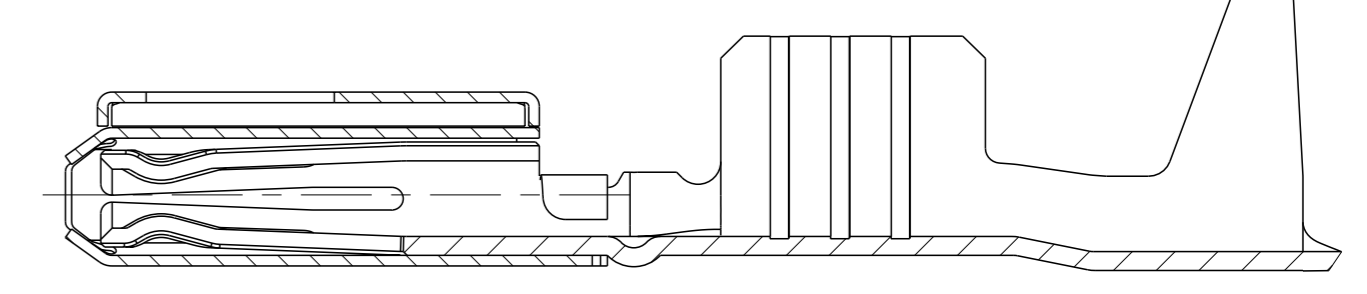
PROJEKT NR.:		REVISIONS				
		ÄNDERUNGEN	BESCHREIBUNG	DATE	DWN	APV'D
C4	ECR-14-015440			16OCT2014	MN	Sche
C5	ECR-15-006287			22APR2015	SCK	Sche
C6	ECR-18-007266			09MAI2018	FRAN	SCH.



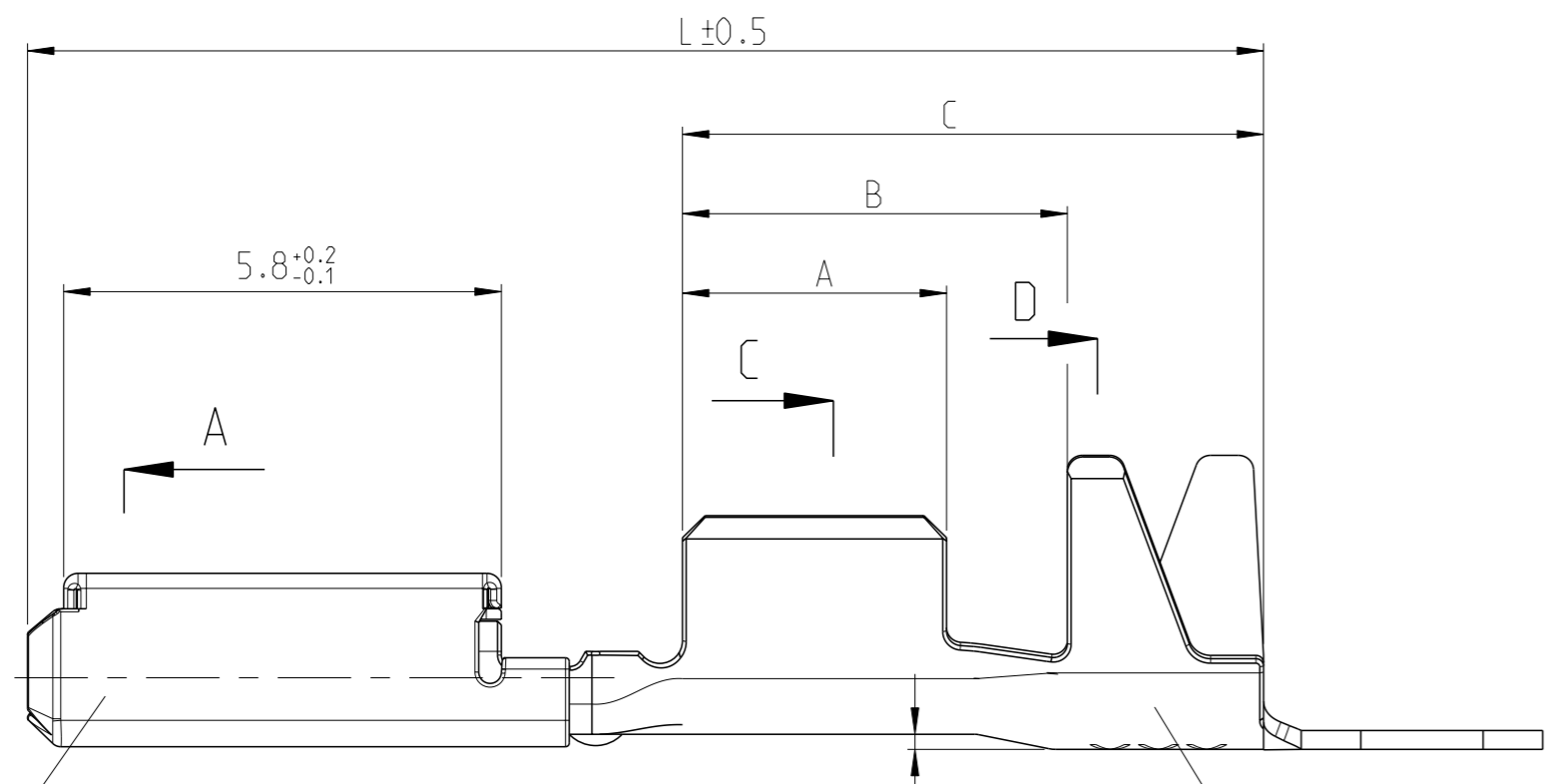
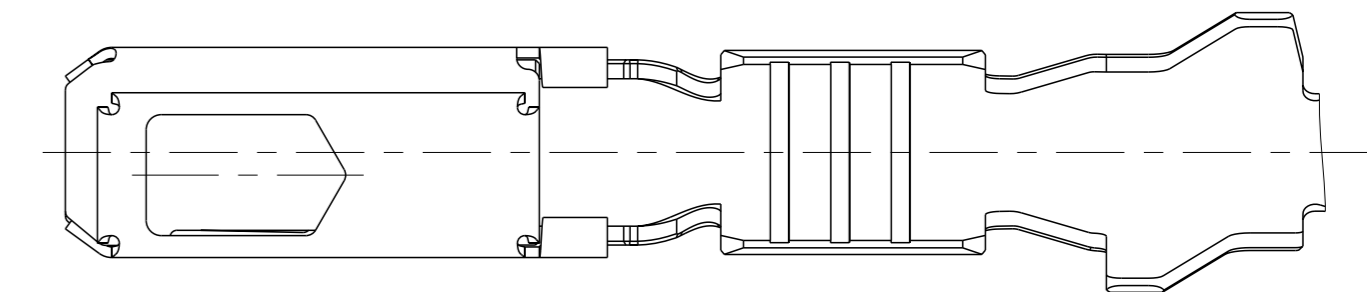
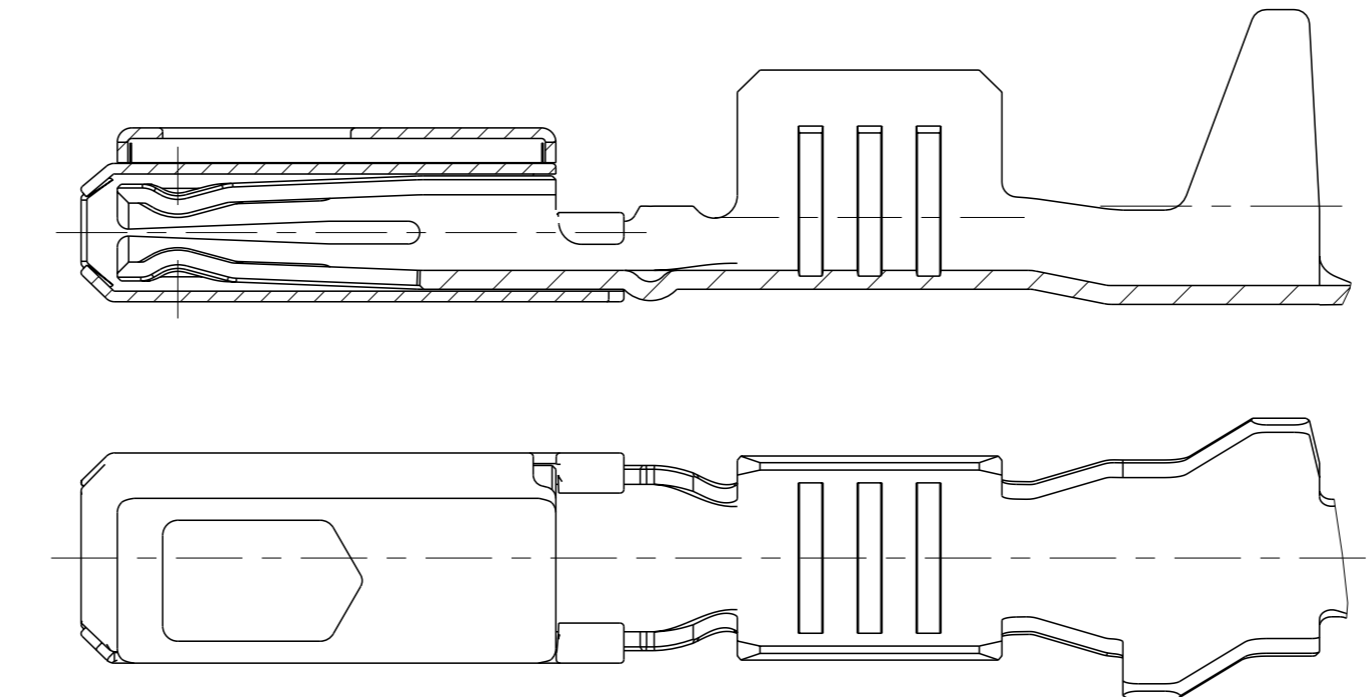
C6 Crimppausführung A
 CRIMP DESIGN A



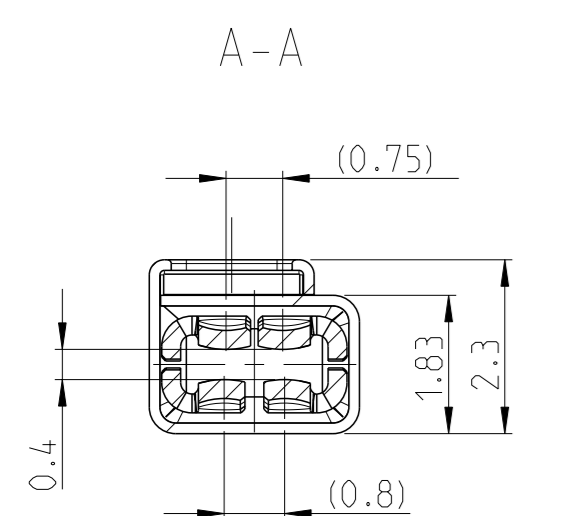
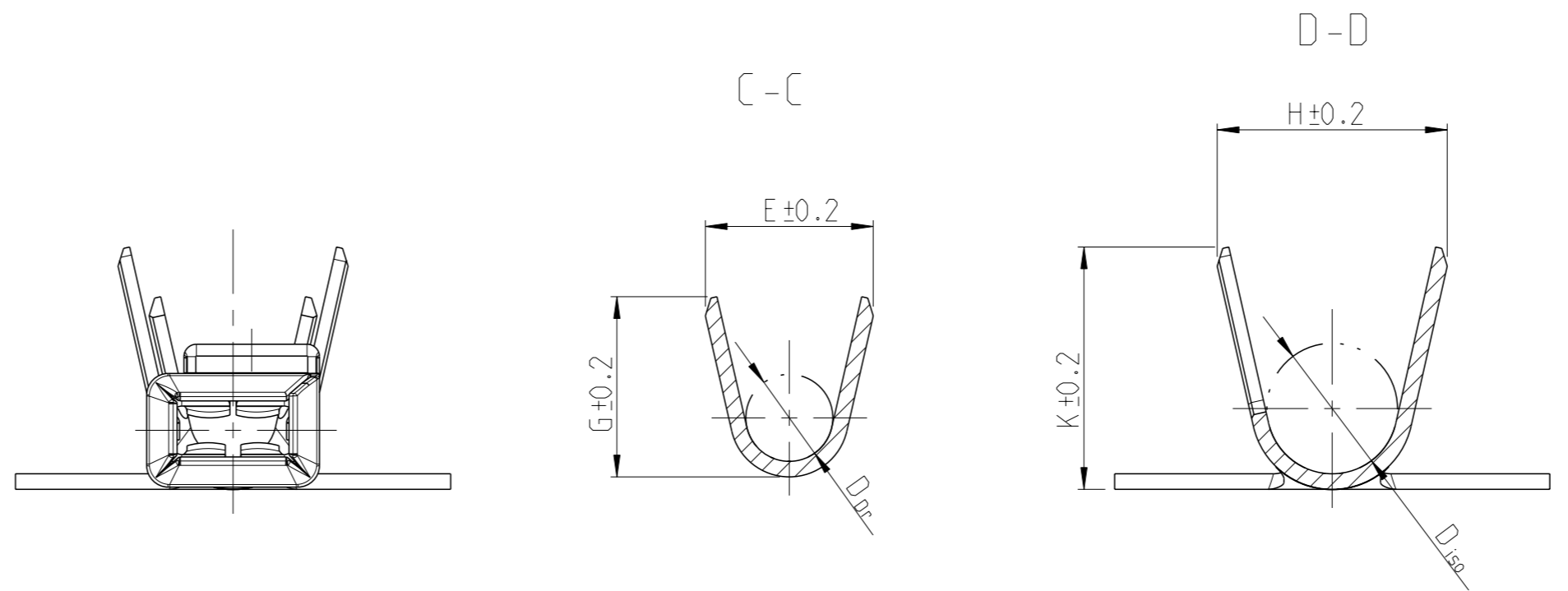
Crimppausführung C
 CRIMP DESIGN C



C6 Crimppausführung B
 CRIMP DESIGN B



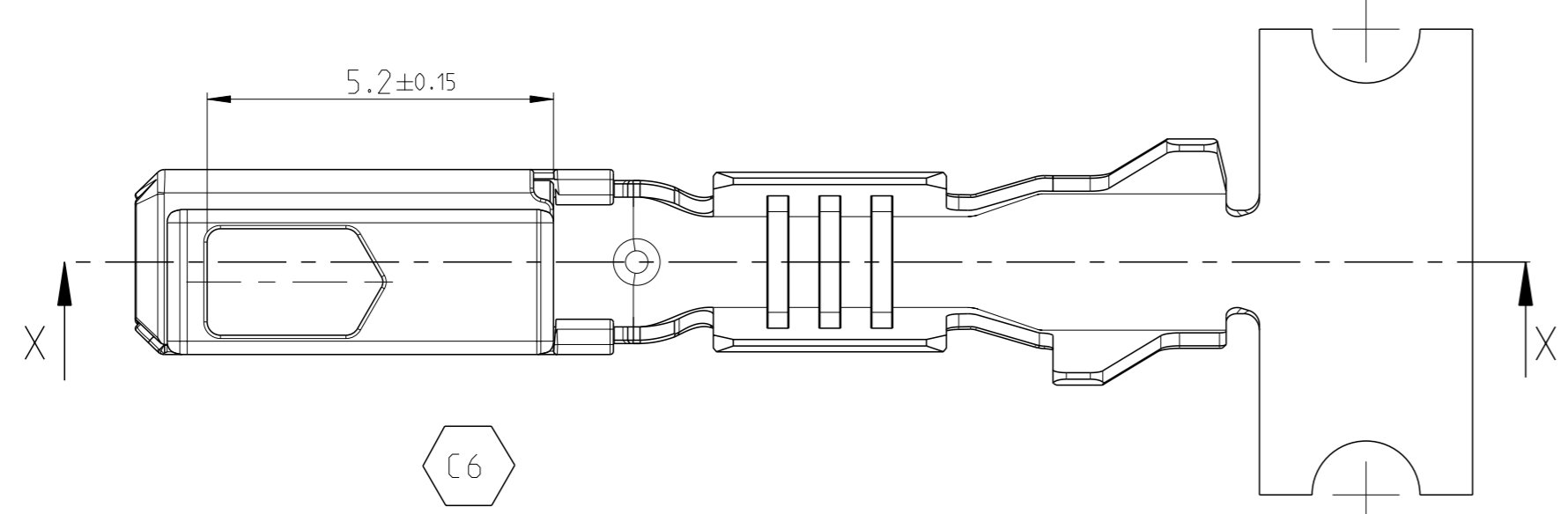
Kontaktkörper/BODY
 MATERIAL CuNiSi F57
 Oberfläche Zinn 0.8-2µm Sn
 Silber 1.6-4.6µm Ag ueber Ni im Kontaktbereich, Sn im Crimpbereich
 SURFACE TIN 0.8-2µm Sn
 SILVER 1.6-4.6µm Ag OVER Ni AT CONTACT AREA, Sn AT CRIMP AREA



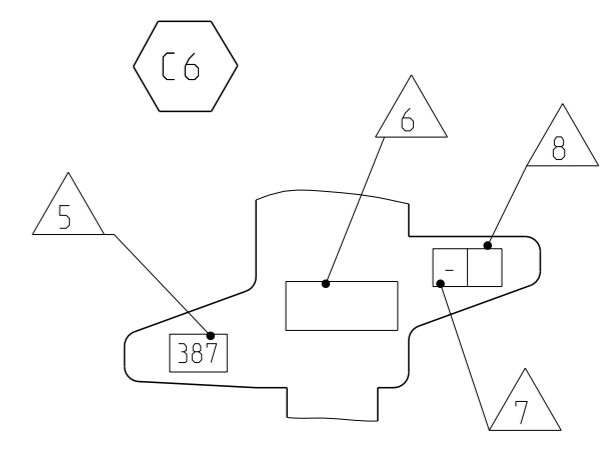
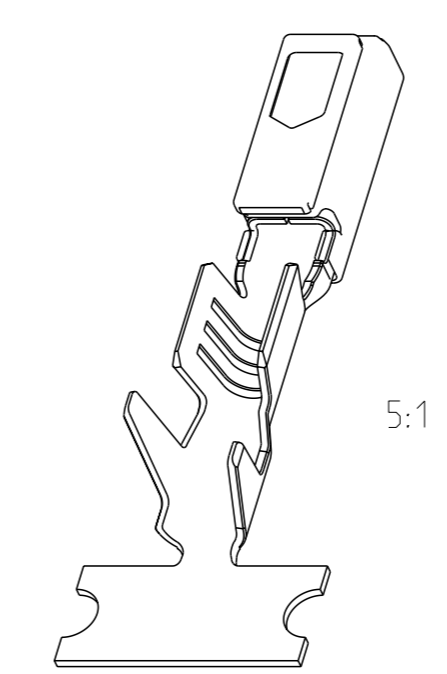
Ueberfeder/SPRING
 MATERIAL X10CrNi188
 Oberfläche blank
 SURFACE UNCOATED

Bemerkungen
 NOTES

- 1 Kontakt nur fuer Testzwecke (erhohte Steckzyklenzahl), nicht fuer Serieneinsatz
 CONTACT ONLY FOR SPECIAL TEST-APPLICATIONS (HIGH MATING-CYCLES). NOT FOR SERIES-APPLICATION
- 2 Nur fuer FLR-Leitung nach DIN 72551, Teil 6
 FOR FLR-CONDUCTOR ACCORDING TO DIN 72551-6 ONLY
- 3 Einzelheiten der Ausfuehrung bleiben dem Hersteller ueberlassen
 DETAILS OF DESIGN ARE LEFT TO MANUFACTURER
- 4 Oberflaeche: blank, Material CuNi12Zn24
 SURFACE: UNCOATED, MATERIAL CuNi12Zn24
- 5 DATE-CODE (WEEK / YEAR (E.G. WEEK NUMBER 38 / YEAR 2007))
 Datumscode (Woche / Jahr, z. B. KW38 / Jahr 2007)
- 6 SUPPLIER MARK
 Lieferantenkennzeichnung
- 7 SUPPLIER REVISION INDEX
 Revisionsindex des Lieferanten
- 8 DIE-IDENTIFICATION
 Werkzeug-Kennzeichnung



TE BESTELL-NR. ORDER NO.	REV.	DGB WIRE-SIZE-RANGE mm 2	Oberflaeche SURFACE	Crimppausfuehrung CRIMP DESIGN	Gewicht WEIGHT g	Laenge LENGTH	Drahtcrimp WIRE CRIMP	Iso' crimp INSU.CRIMP
5-1241608-1	C	0.75...1.5	Sn	c	0.2	A = 3.5 B = 5.1 C = 7.7 L = 16.5	E = 2.7 G = 2.9 D _{DR} = 1.4	H = 3.7 K = 3.9 D _{ISO} = 2.1
1241608-6	C		Ag	B				
1241608-3	C		4	B				
1241608-2	C		Au	B				
1241608-1	C	0.35...0.5	Sn	B	0.2	A = 2.5 B = 3.6 C = 5.6 L = 15.8	E = 1.9 G = 1.9 D _{DR} = 0.8	H = 2.7 K = 2.7 D _{ISO} = 1.4
1452158-2	C		Au	A				
1452158-1	B		Sn	A				



THIS DRAWING IS A CONTROLLED DOCUMENT.		DWN		DATE		SCALE	
OTHER DIMENSIONS: mm		S. Garcia	04FEB2000	Customer Drawing		SCALE 10:1	
TOLERANCES: UNLESS OTHERWISE SPECIFIED: ALGEMEINERGRADEN		C. Boemmel	04FEB2000	Customer Drawing		SCALE 10:1	
DIMENSIONS: mm		APV'D D Jetter		Customer Drawing		SCALE 10:1	
MATERIAL		PRODUCT SPEC		Customer Drawing		SCALE 10:1	
MATERIAL		APPLICATION SPEC		Customer Drawing		SCALE 10:1	
MATERIAL		VERARBEITUNGSSPEZ.		Customer Drawing		SCALE 10:1	
MATERIAL		FINISHOBERFLAECHENFARBE		Customer Drawing		SCALE 10:1	
MATERIAL		WEIGHT		Customer Drawing		SCALE 10:1	
MATERIAL		GEWICHT		Customer Drawing		SCALE 10:1	
MATERIAL		Customer Drawing		Customer Drawing		SCALE 10:1	

X-ON Electronics

Largest Supplier of Electrical and Electronic Components

Click to view similar products for [Automotive Connectors](#) category:

Click to view products by [TE Connectivity](#) manufacturer:

Other Similar products are found below :

[003-018-000](#) [60403001](#) [60993906-B](#) [M902-2131](#) [M902-2161](#) [M902-2344](#) [72.330.1035.1](#) [73.353.4028.0](#) [F119300-B](#) [F166900](#) [F258300-B](#)
[F358300-B](#) [F407400](#) [F444110](#) [F487000](#) [F509500B-B](#) [827153-1](#) [8N1515-32-24P](#) [9-1326729-8](#) [925474-1](#) [928905-1](#) [964562-4](#) [968782-1](#)
[GT17SA-8DS-HU](#) [98891-1012](#) [98947-1016](#) [12004147](#) [12004475-L](#) [12010290](#) [12010309-B](#) [12015454](#) [12020219-B](#) [12041318-B](#) [12052225-](#)
[L](#) [12052466](#) [12064869](#) [12004327-B](#) [12015308](#) [12015384](#) [12015909](#) [1-21030-1](#) [12041254](#) [12041318](#) [12047946-B](#) [12047957](#) [12047957-L](#)
[12059473](#) [12066261](#) [12110546](#) [12110546-B](#)