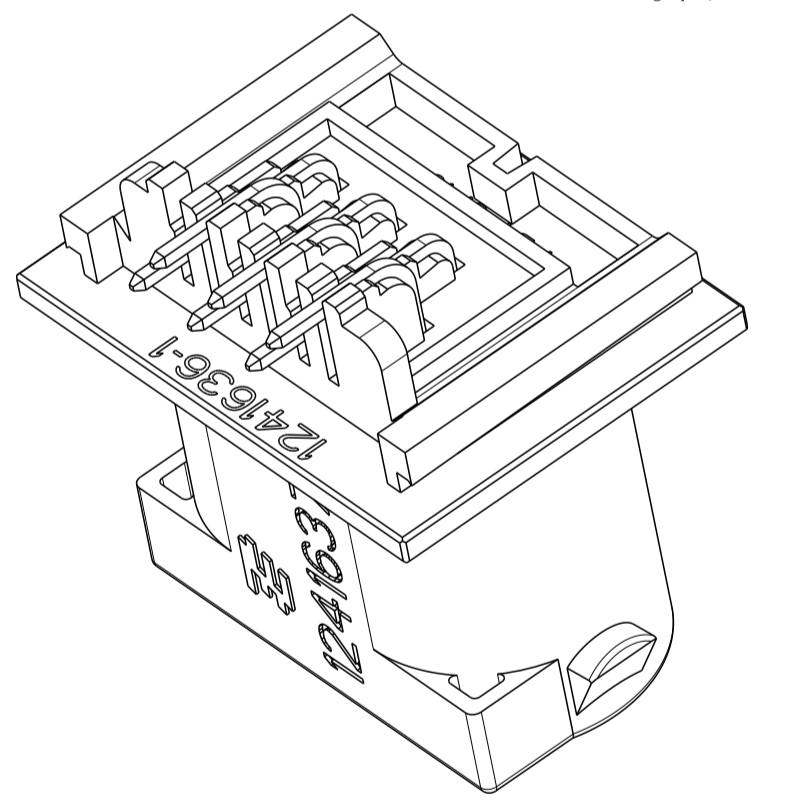
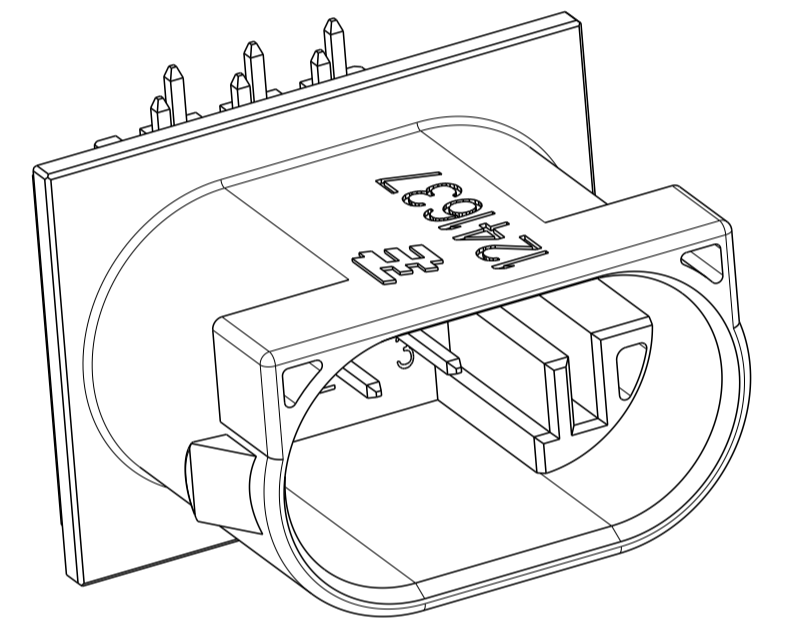
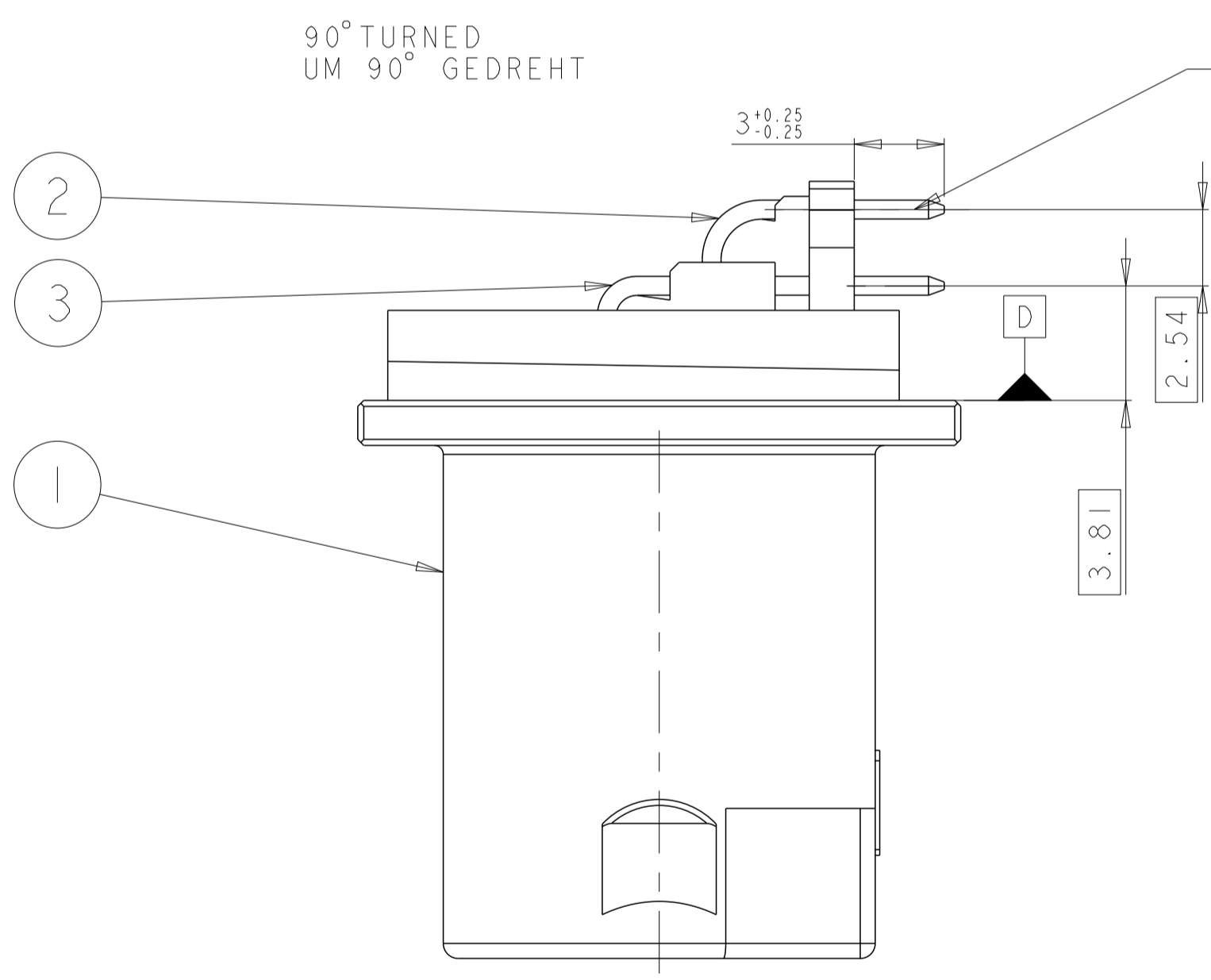
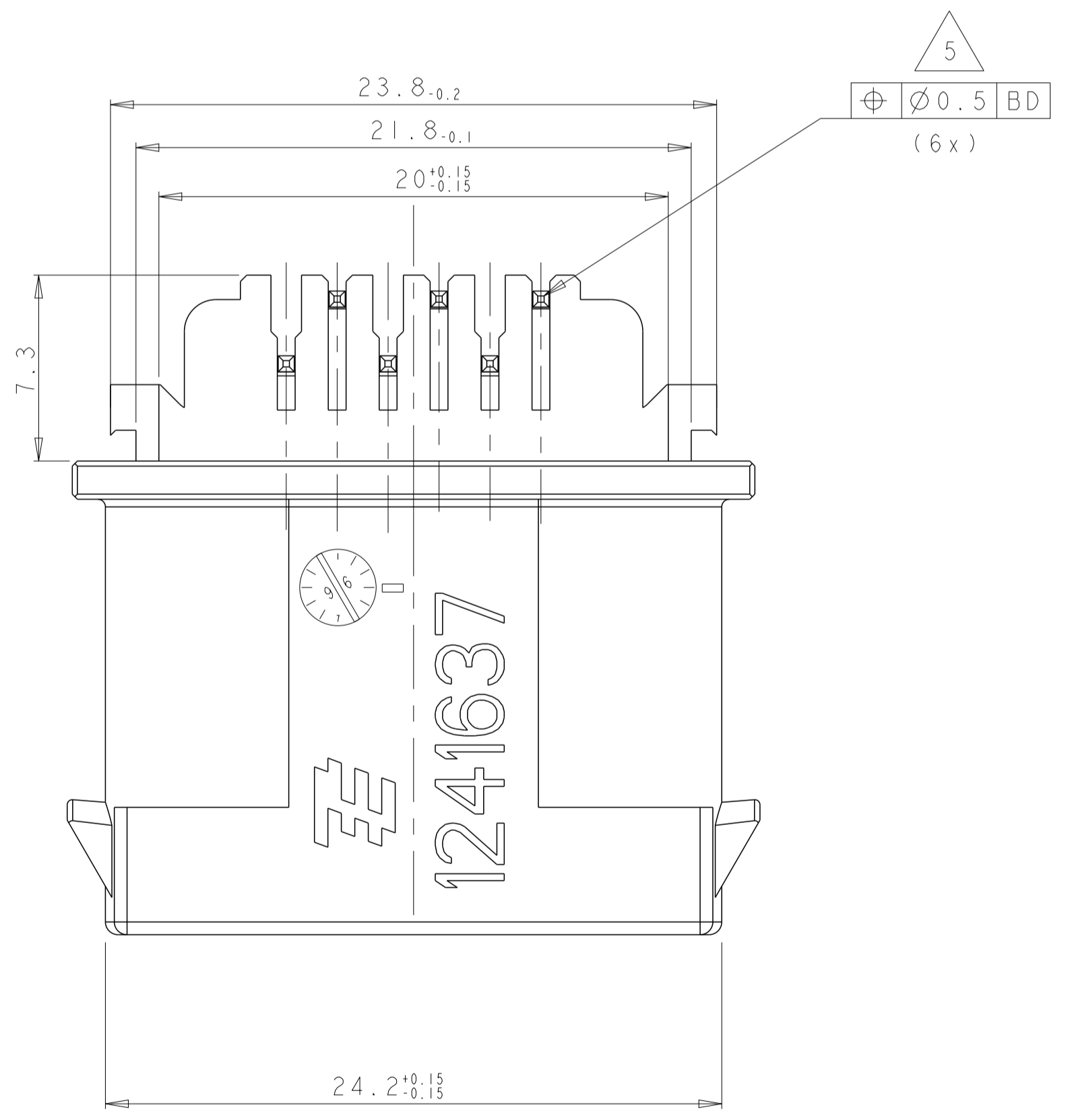
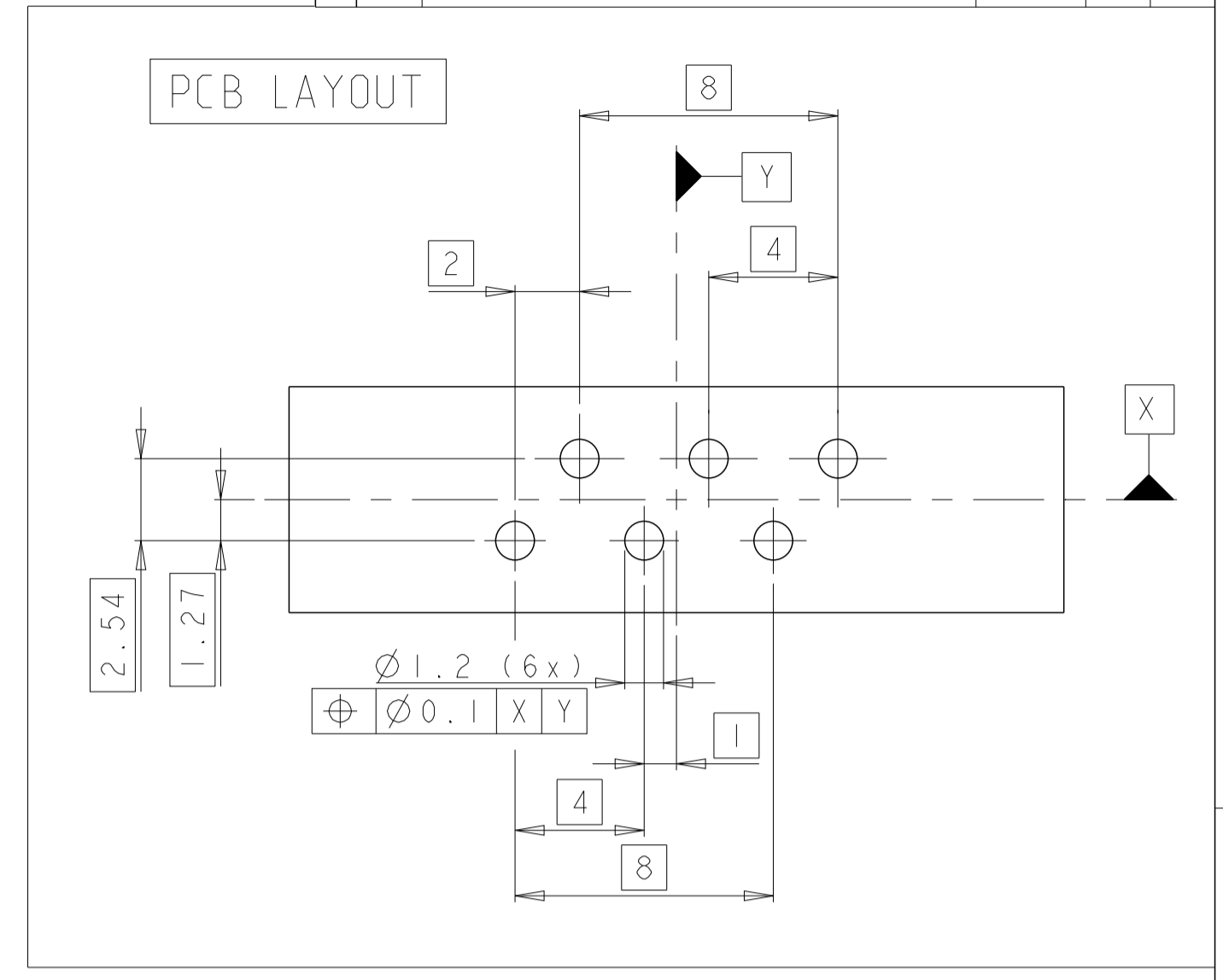
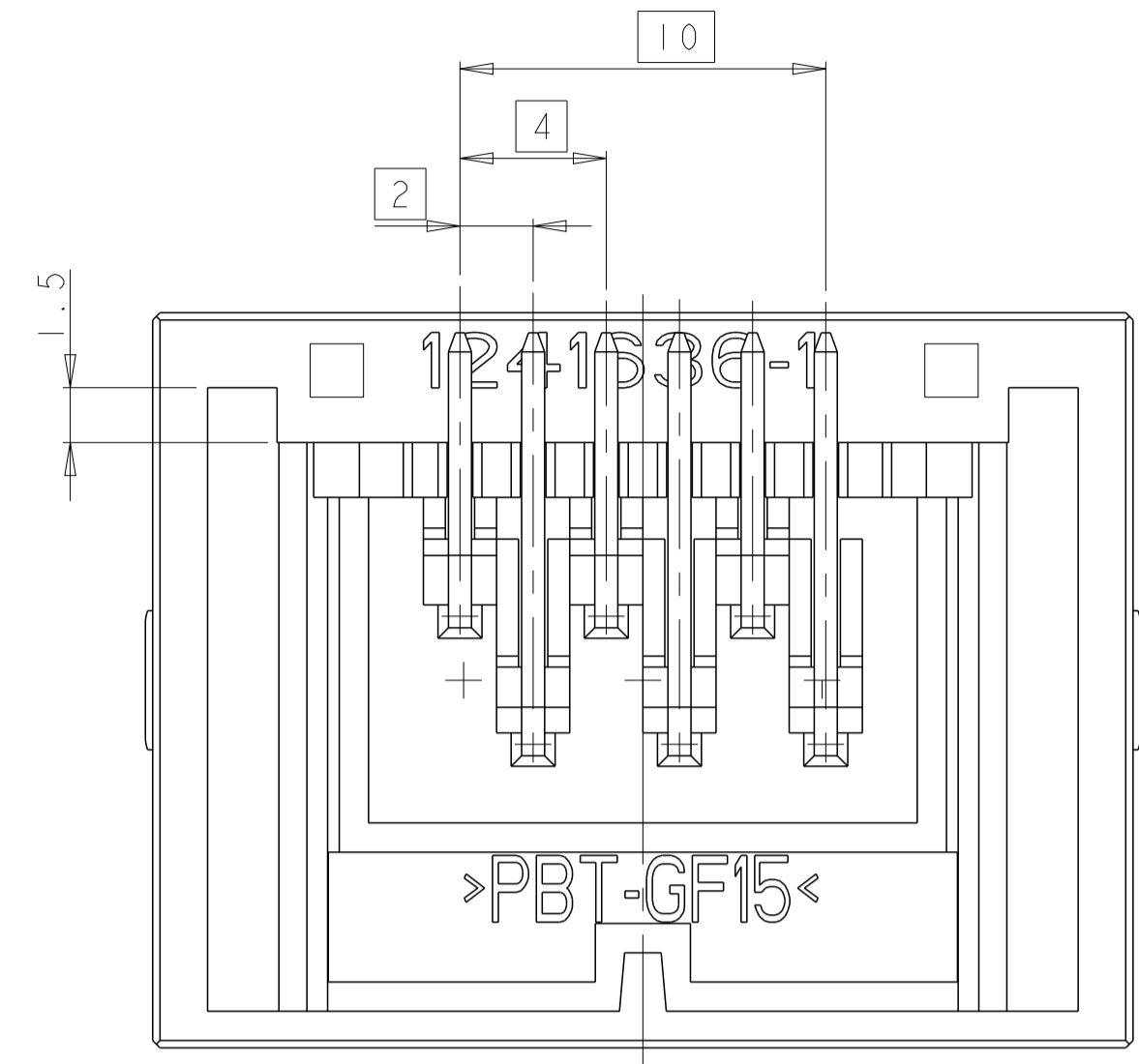
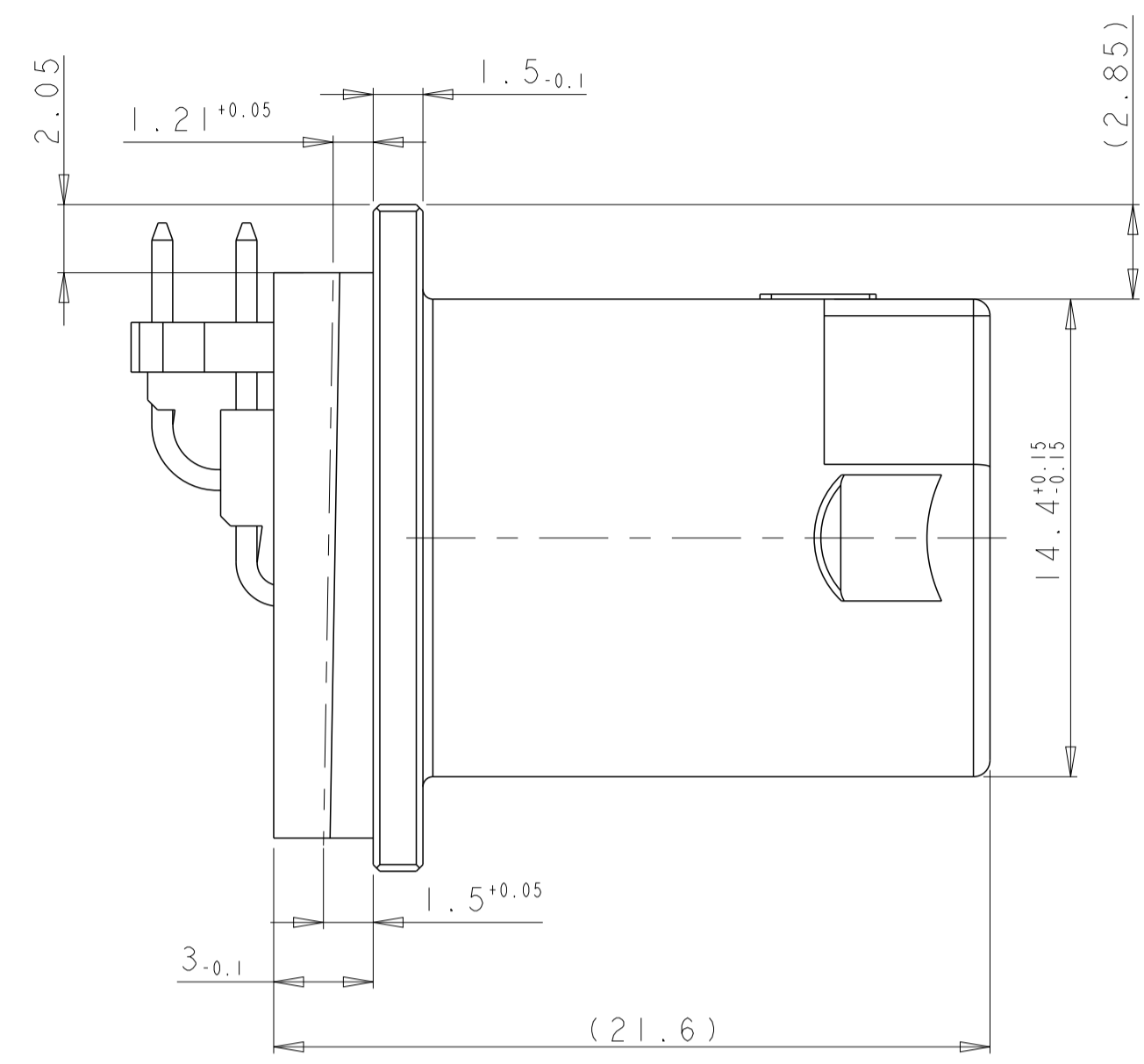
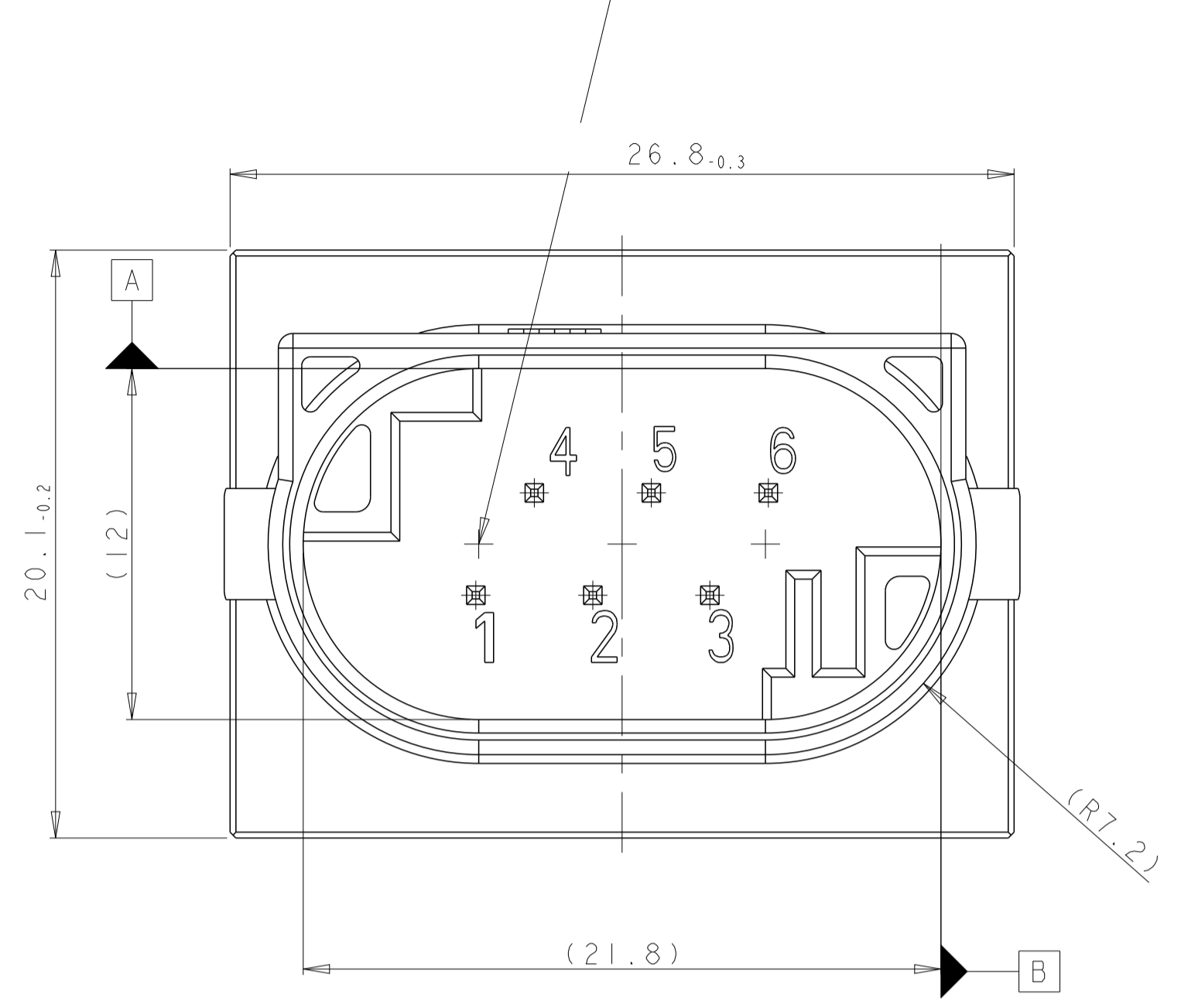


REVISIONS				
P.	LTH.	DESCRIPTION	DATE	APVD.
A5		ECR-17-004871	05APR2017	NL NL
A6		PCB-LAYOUT ADDED	08MAY2018	RM HB

DESIGN ACC. TO AV 114-18063-21, COD A  
AUSFUEHRUNG NACH



NOTES  
Bemerkungen

- PACKING: LOOSE PIECE IN TE-BOX  
Verpackung: Schuetfgut in TE-Karton
- PRESS OUT FORCE > 25N WITH SPEED 25mm/min  
Kontaktausdrueckkraft > 25N mit Vorschub 25mm/min
- SOLDER HEAT RESISTANCE ACCORDING TO DIN EN 60068-2-20  
Loetbestaendigkeit gemass DIN EN 60068-2-20
- PRODUCT SPECIFICATION 108-18568-0  
Produkt Spezifikation
- PROOFED BY GAUGE 90-244789  
Lehrenpruefung

ORDER-No BESTELL-No.	REV.	POS.	QTY. STUECK	DESCRIPTION BENENNUNG	MATERIAL	COLOR/FINISH FARBE/OBERFLAECHE
1241637-3	A	3	3	MOS PIN	CuMg 0,1	GOLD PLATED/vergoldet
		2	3	MOS PIN	CuMg 0,1	GOLD PLATED/vergoldet
		1	1	MOS, PIN HOUSING	PBT-GF15	BLACK/Schwarz
1241637-2	A	3	3	MOS PIN	CuMg 0,1	PRETINNED/vorverz.
		2	3	MOS PIN	CuMg 0,1	PRETINNED/vorverz.
		1	1	MOS, PIN HOUSING	PBT-GF15	BLACK/Schwarz
1241637-1	A	3	3	MOS PIN	CuMg 0,1	PRETINNED/vorverz.
		2	3	MOS PIN	CuMg 0,1	PRETINNED/vorverz.
		1	1	MOS, PIN HOUSING	PBT-GF15	BLACK/Schwarz

ADDITIONAL PLATING INFORMATION FOR 1241637-3			
MATING AREA		SOLDER AREA	
PLATING THICKNESS	LENGTH	PLATING THICKNESS	LENGTH
MIN. 0.8µm Au OVER Ni	5.5mm	3-5µm Sn OVER Ni	5.5mm

THIS DRAWING IS A CONTROLLED DOCUMENT. DIMENSIONS: mm. TOLERANCES UNLESS OTHERWISE SPECIFIED: 0 PLC ±, 1 PLC ±, 2 PLC ±, 3 PLC ±, 4 PLC ±, ANGLES ±.

DWN: V. Holzmann, 10NOV2004, CHK: -.

NAME: MOS, PIN HEADER, 6 POS. PRODUCT SPEC: 108-18568-0. APPLICATION SPEC: -.

WEIGHT: 4.75g. SIZE: CAGE CODE DRAWING NO: A100779C=1241637. RESTRICTED TO: CUSTOMER DRAWING. SCALE: 5:1. SHEET 1 OF 1. REV: A6.

**STE** TE Connectivity

## X-ON Electronics

Largest Supplier of Electrical and Electronic Components

*Click to view similar products for [Automotive Connectors](#) category:*

*Click to view products by [TE Connectivity](#) manufacturer:*

Other Similar products are found below :

[003-018-000](#) [60403001](#) [60993906-B](#) [M902-2131](#) [M902-2161](#) [72.330.1035.1](#) [73.353.4028.0](#) [F119300-B](#) [F166900](#) [F258300-B](#) [F358300-B](#)  
[F407400](#) [F444110](#) [F487000](#) [F509500B-B](#) [827153-1](#) [8N1515-32-24P](#) [9-1326729-8](#) [925474-1](#) [928905-1](#) [964562-4](#) [968782-1](#) [GT17SA-8DS-](#)  
[HU](#) [98891-1012](#) [98947-1016](#) [12004147](#) [12004475-L](#) [12010290](#) [12010309-B](#) [12015454](#) [12020219-B](#) [12020308](#) [12041318-B](#) [12052225-L](#)  
[12052466](#) [12059125](#) [12064869](#) [12004327-B](#) [12010503-B](#) [12015308](#) [12015384](#) [12015909](#) [1-21030-1](#) [12041254](#) [12041318](#) [12047946-B](#)  
[12047957](#) [12047957-L](#) [12059473](#) [12066261](#)