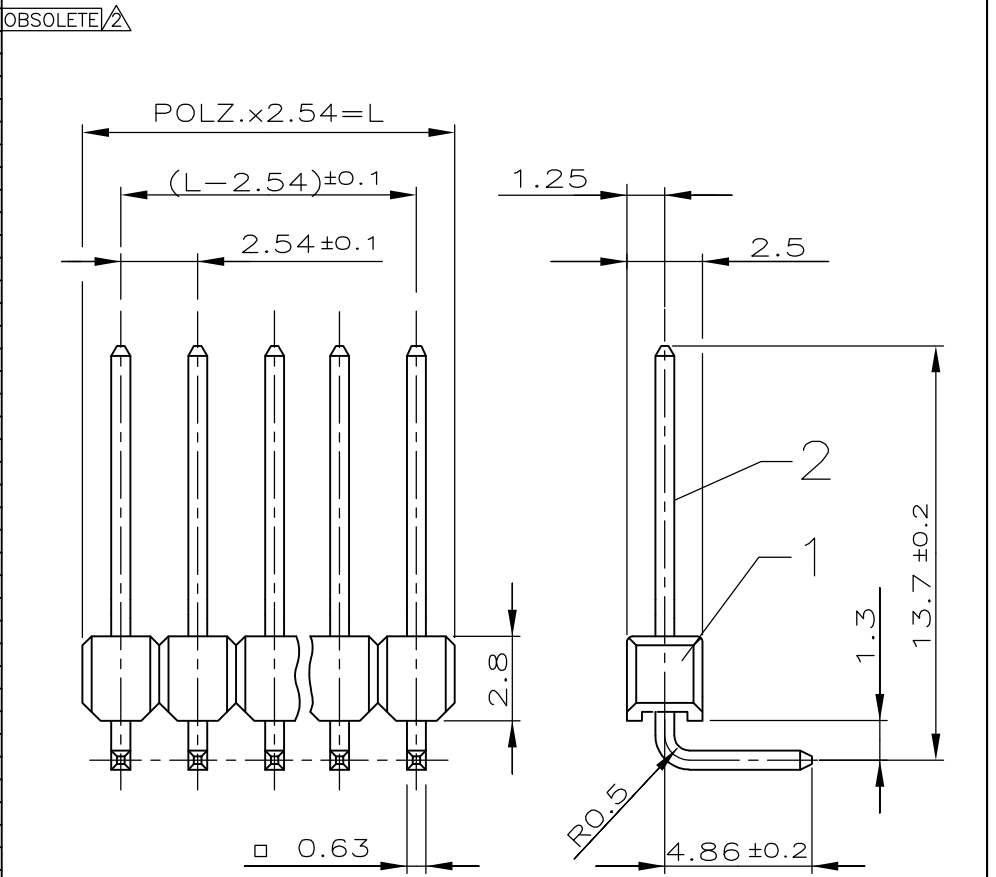


DIESES ZEICHNUNGSDOKUMENT WIRD DURCH AMP INCORPORATED. AENDERUNGEN, DIE DEM TECHNISCHEN FORTSCHRITT DIENEN, SIND VORBEHALTEN. DEN JEWEILS LETZTGUELTIGEN AENDERUNGSSTAND ERFAHREN SIE AUF ANFRAGE.

THIS DRAWING IS A CONTROLLED DOCUMENT FOR AMP INCORPORATED. IT IS SUBJECT TO CHANGE AND THE CONTROLLING ENGINEERING ORGANIZATION SHOULD BE CONTACTED FOR THE LATEST REVISION.

| | | | | | | | | | |
|----------------------------|-----------|-----------|---|-------------------|--|--|-----------|------|------|
| MATED WITH: PASSEND ZU: | LOC AI | DIST - | REVISIONS AENDERUNGEN DESCRIPTION BESCHREIBUNG | | | | DATE | DWN | APVD |
| - | - | - | P | LTR | | | | | |
| PROJEKT NR.: - | | | A1 | tolerance changed | | | 20-NOV-01 | Mah. | Zitz |
| POS. L -0.2 -0.5 | | | A2 | tolerance changed | | | 26-NOV-01 | Mah. | Zitz |
| PART-NO | | | A3 | ECO-09-024606 | | | 28-OCT-09 | KK | AEG |

| | | | | |
|----|--------|----|-----------|--|
| 2 | 5.08 | -1 | 241 891-2 | |
| 3 | 7.62 | 1 | 241 891-3 | |
| 4 | 10.16 | | -4 | |
| 5 | 12.70 | | -5 | |
| 6 | 15.24 | | -6 | |
| 7 | 17.78 | | -7 | |
| 8 | 20.32 | | -8 | |
| 9 | 22.86 | | -9 | |
| 10 | 25.40 | 1- | -0 | |
| 11 | 27.94 | 1- | -1 | |
| 12 | 30.48 | 1- | -2 | |
| 13 | 33.02 | 1- | -3 | |
| 14 | 35.56 | 1- | -4 | |
| 15 | 38.10 | 1- | -5 | |
| 16 | 40.64 | 1- | -6 | |
| 17 | 43.18 | 1- | -7 | |
| 18 | 45.72 | 1- | -8 | |
| 19 | 48.26 | 1- | -9 | |
| 20 | 50.80 | 2- | -0 | |
| 21 | 53.34 | 2- | -1 | |
| 22 | 55.88 | 2- | -2 | |
| 23 | 58.42 | 2- | -3 | |
| 24 | 60.96 | 2- | -4 | |
| 25 | 63.50 | 2- | -5 | |
| 26 | 66.04 | 2- | -6 | |
| 27 | 68.58 | 2- | -7 | |
| 28 | 71.12 | 2- | -8 | |
| 29 | 73.66 | 2- | -9 | |
| 30 | 76.20 | 3- | -0 | |
| 31 | 78.74 | 3- | -1 | |
| 32 | 81.28 | 3- | -2 | |
| 33 | 83.82 | 3- | -3 | |
| 34 | 86.36 | 3- | -4 | |
| 35 | 88.90 | 3- | -5 | |
| 36 | 91.44 | 3- | -6 | |
| 37 | 93.98 | 3- | -7 | |
| 38 | 96.52 | 3- | -8 | |
| 39 | 99.06 | 3- | -9 | |
| 40 | 101.60 | 4- | -0 | |
| 41 | 104.14 | 4- | -1 | |
| 42 | 106.68 | 4- | -2 | |
| 43 | 109.22 | 4- | -3 | |
| 44 | 111.76 | 4- | -4 | |
| 45 | 114.30 | 4- | -5 | |
| 46 | 116.84 | 4- | -6 | |
| 47 | 119.38 | 4- | -7 | |
| 48 | 121.92 | 4- | -8 | |
| 49 | 124.46 | 4- | -9 | |
| 50 | 127.00 | 5- | -0 | |



THIS DRAWING IS UNPUBLISHED. VERTRAULICHE UNVEROEFFENTLICHTE ZEICHNUNG. ALL RIGHTS RESERVED. ALLE RECHTE VORBEHALTEN. BY AMP INCORPORATED. COPYRIGHT 19-

- ① MIN. 2µm Sn OVER 1.27 µm Ni
min. 2µm Sn über 1.27 µm Ni
- ② OBSOLETE PARTS: OBSOLETE CIS STREAMLINING PER D.RENAUD/D.SINISI

| | | | | |
|------------------|-------------|------------|---------------------|---------------|
| - | Cu SN | ① | CONTACT PIN/Stift | 2 |
| - | PBT GV | GREEN/grün | PIN HOUSING/Gehäuse | 1 |
| CUSTOMER PART NO | AMP PART NO | REV. | PCS. | MATERIAL |
| | | | | SURFACE COLOR |
| | | | | DESCRIPTION |

| | | | |
|--|---|---|----------------------------------|
| DIMENSIONS: DIMENSIONEN: mm | DWN B.Mahnke 07-MAY-01 | MATERIAL - | FINISH OBERFLAECHE/FARBE - |
| TOLERANCES UNLESS OTHERWISE SPECIFIED: ALLGEMEINTOLERANZEN | CHK A.Zitz 07-MAY-01 | tyco Electronics AMP GmbH D - 64625 Bensheim | |
| ISO 8015 ISO 2768 - mH -E DIN 16901 - 140 | APVD - | NAME AMPMODU II PIN HEADER 90DEG,SINGLE ROW AMPMODU II Stiftleiste 90grd, einrhg. | |
| PLC ±- 1 PLC ±0.2 2 PLC ±- 3 PLC ±- | PRODUCT SPEC PRODUKTSPEZ. - | SIZE A4 | CAGE CODE 00779 |
| ANGLES/WINKEL ±- | APPLICATION SPEC VERARBEITUNGSSPEZ. - | DRAWING NO ZEICHNUNGS-NR. C- 1241891 | RESTRICTED TO NUR FUER - |
| | WEIGHT GEWICHT - | CUSTOMER DRAWING /KUNDENZEICHNUNG MASSSTAB 4:1 BLATT 1 OF 1 REV A3 | |

X-ON Electronics

Largest Supplier of Electrical and Electronic Components

Click to view similar products for [Headers & Wire Housings](#) category:

Click to view products by [TE Connectivity](#) manufacturer:

Other Similar products are found below :

[95000-104TRLF](#) [10135584-644402LF](#) [DF62W-EP2022PCA](#) [95000-106TRLF](#) [DF62W-2022SCA](#) [DF62W-EP2022PC](#) [2203348](#) [DF62W-2022SC](#) [1084018](#) [1029039](#) [1084017](#) [802-10-012-10-002000](#) [1112640](#) [1112639](#) [891-007-9SS-BST1T](#) [000-34000](#) [0008550134](#) [0009482033](#) [0009507031](#) [57102-F02-18ULF](#) [57102-S06-03LF](#) [57202-S52-04LF](#) [PCN6-15S-2.5E](#) [0039019024](#) [58102-G61-06LF](#) [582553-1](#) [0009485154](#) [0009508121](#) [0022285053](#) [0050291907](#) [018731A](#) [LY20-4P-DT1-P1E-BR](#) [02.125.8002.8](#) [60101931](#) [60598-1 \(Cut Strip\)](#) [M1625-3R/100](#) [61062-3](#) [61082-181009](#) [CSU011177004](#) [636-1427](#) [638009-1](#) [641938-9](#) [641991-4](#) [644168-1](#) [644827-2](#) [647662-1](#) [65039-019ELF](#) [65692-001LF](#) [65781-018](#) [65781-047](#)