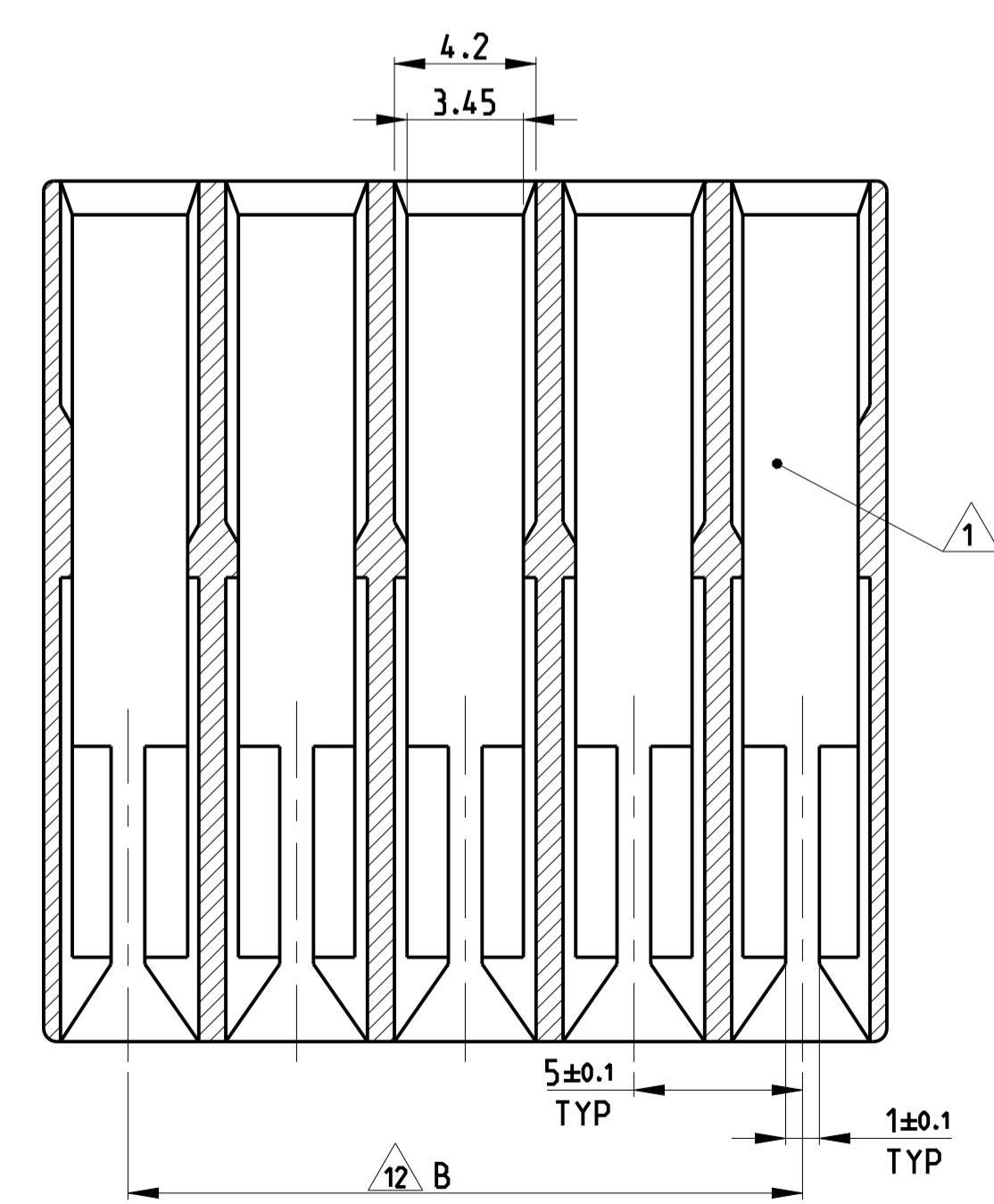
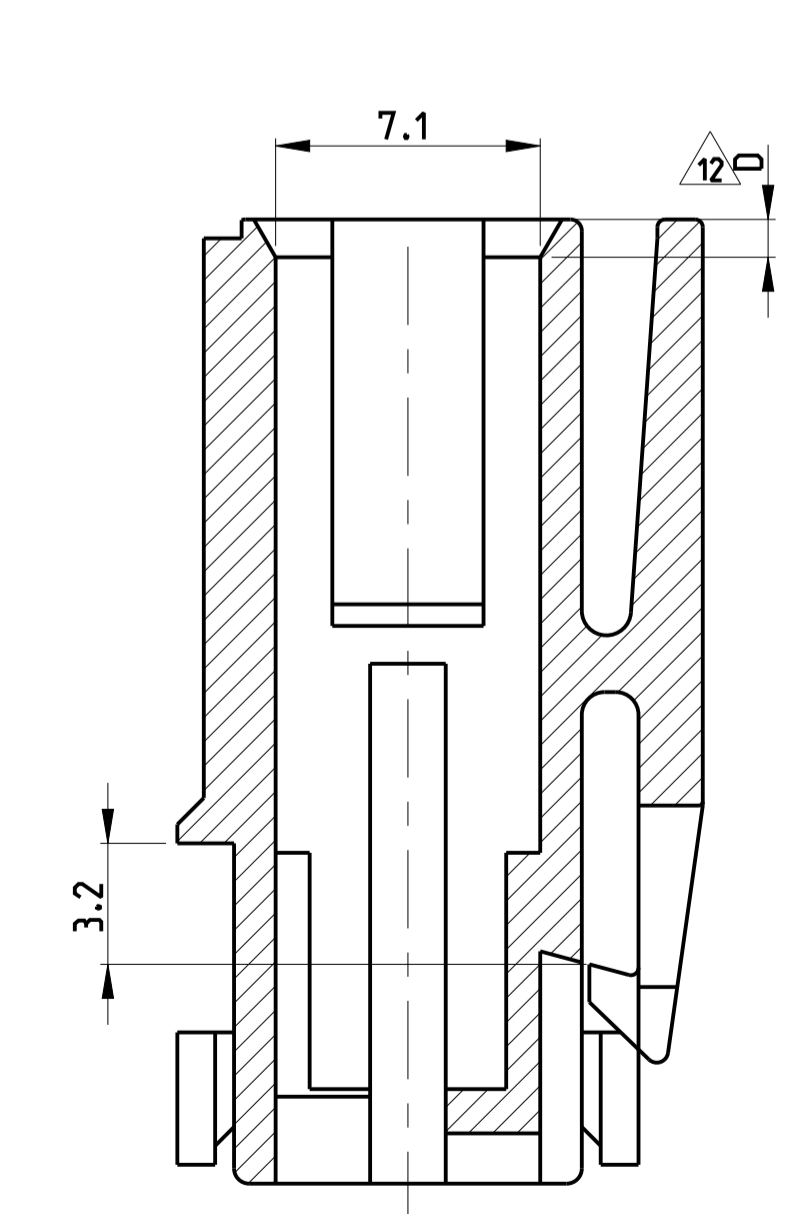
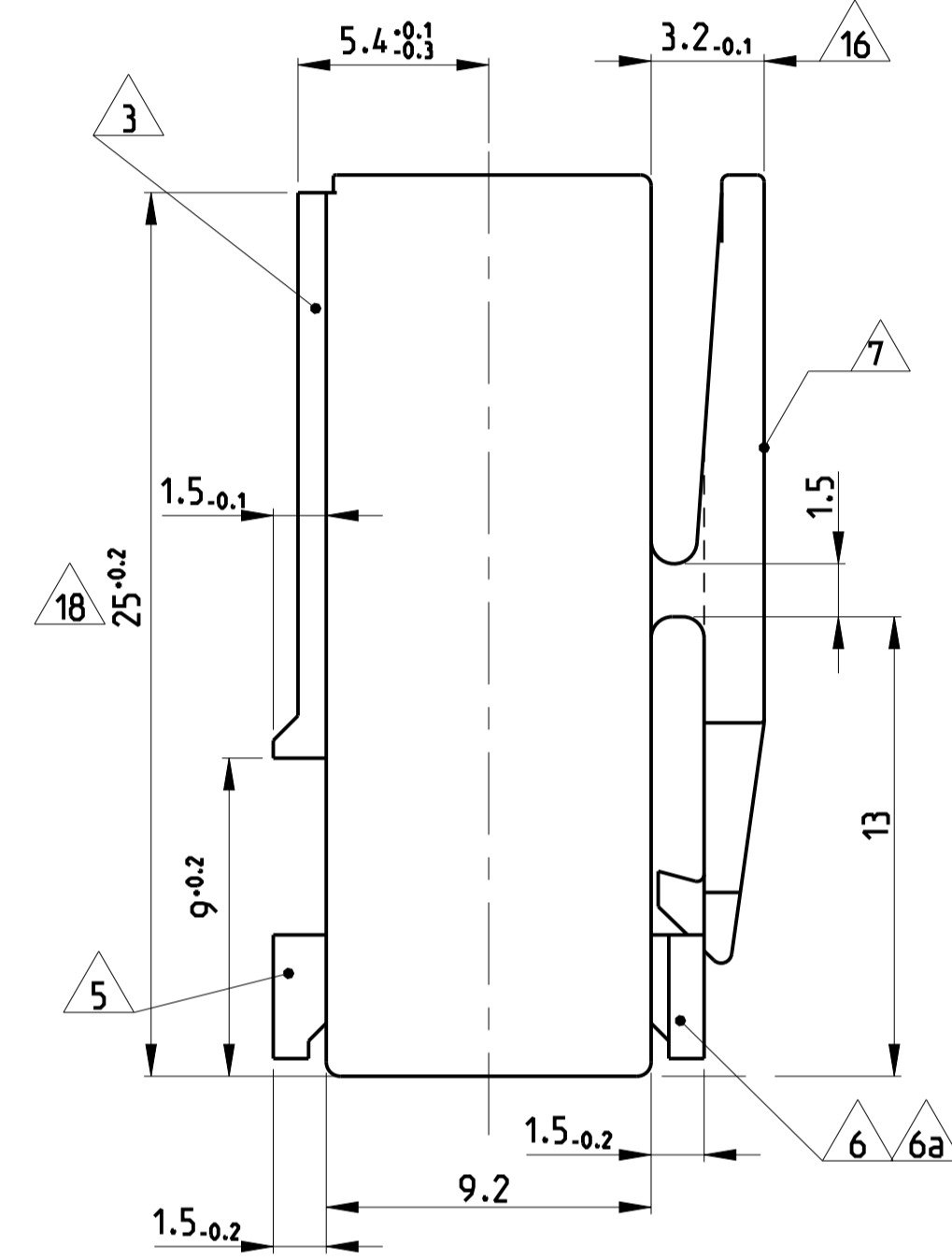
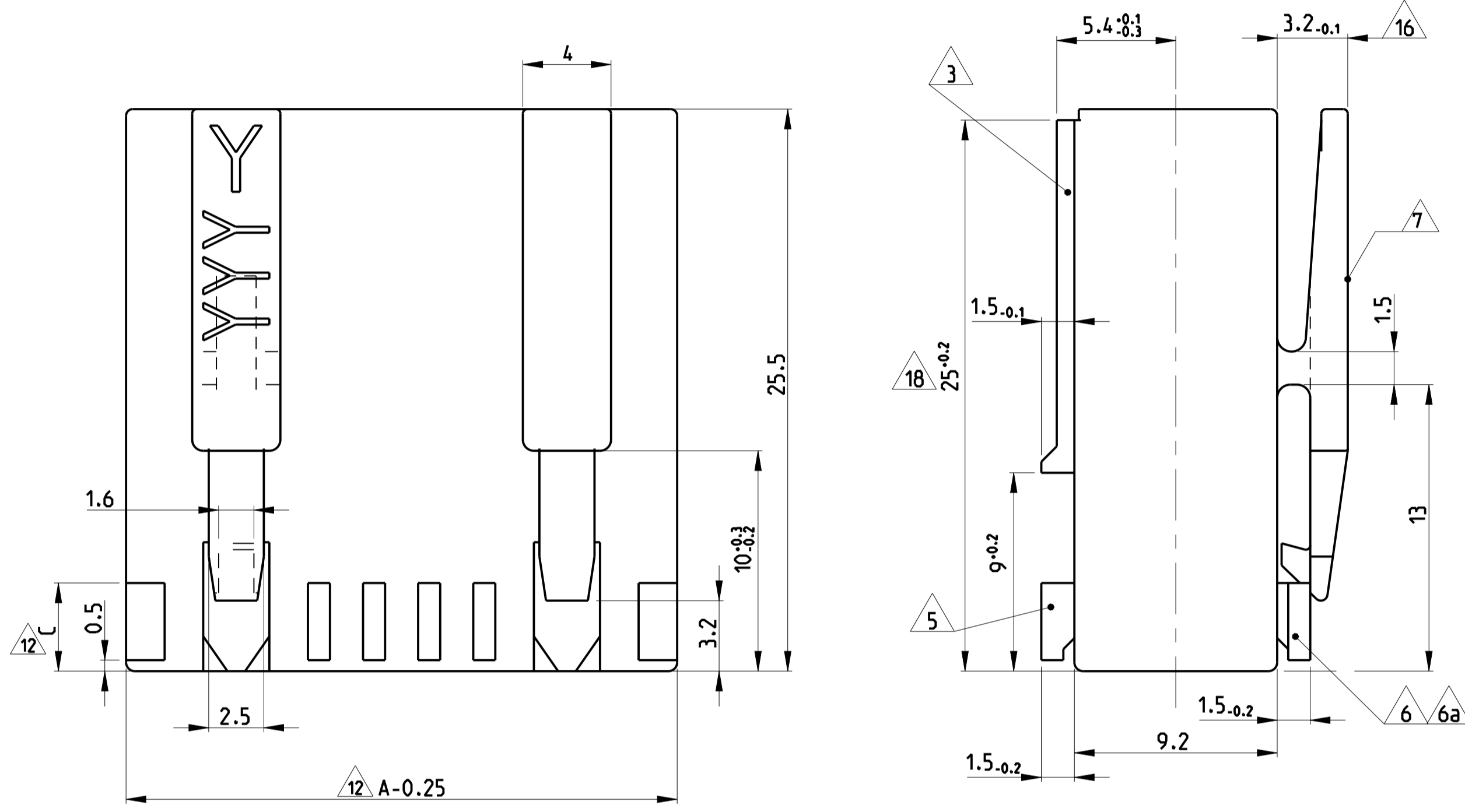
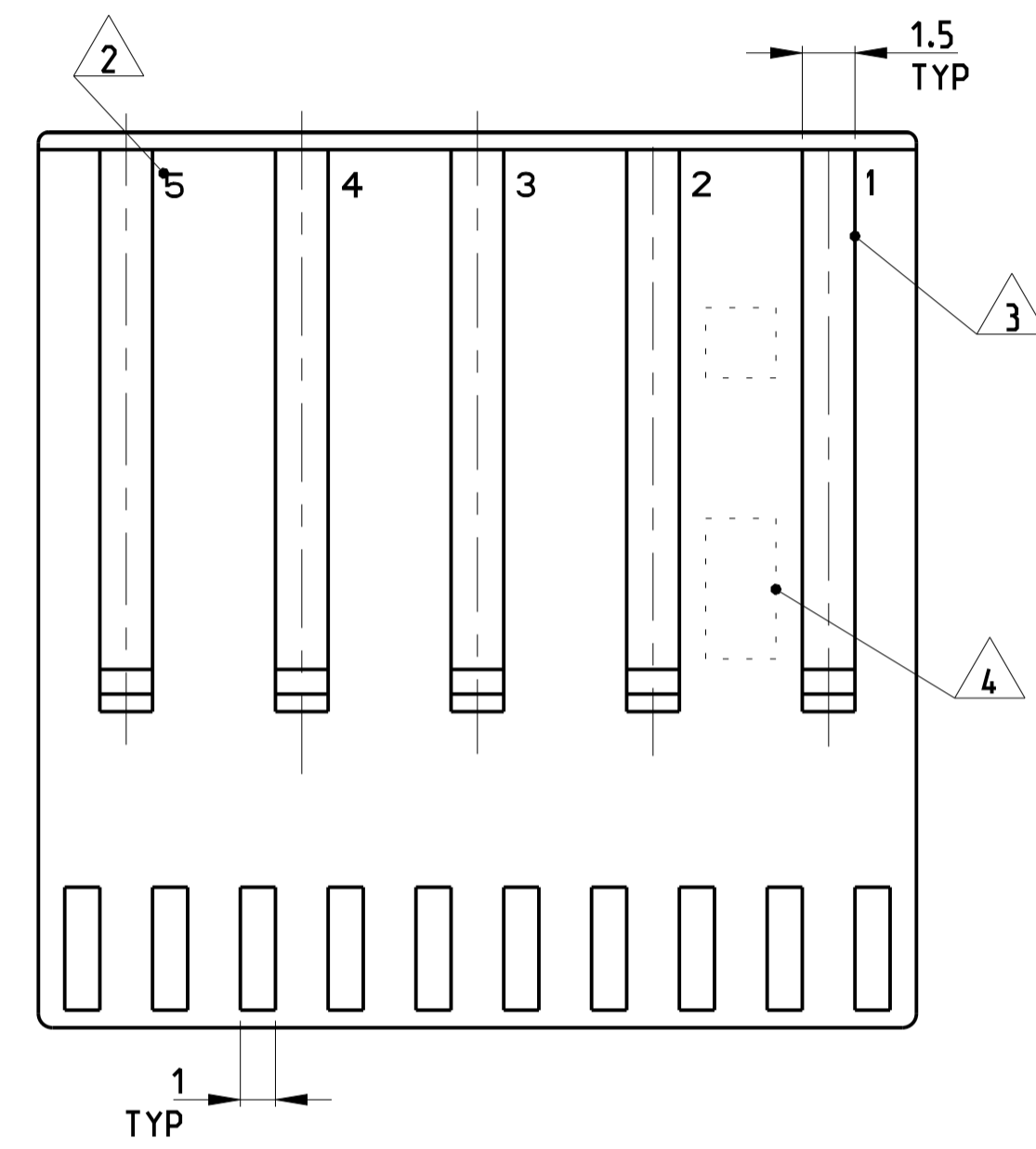
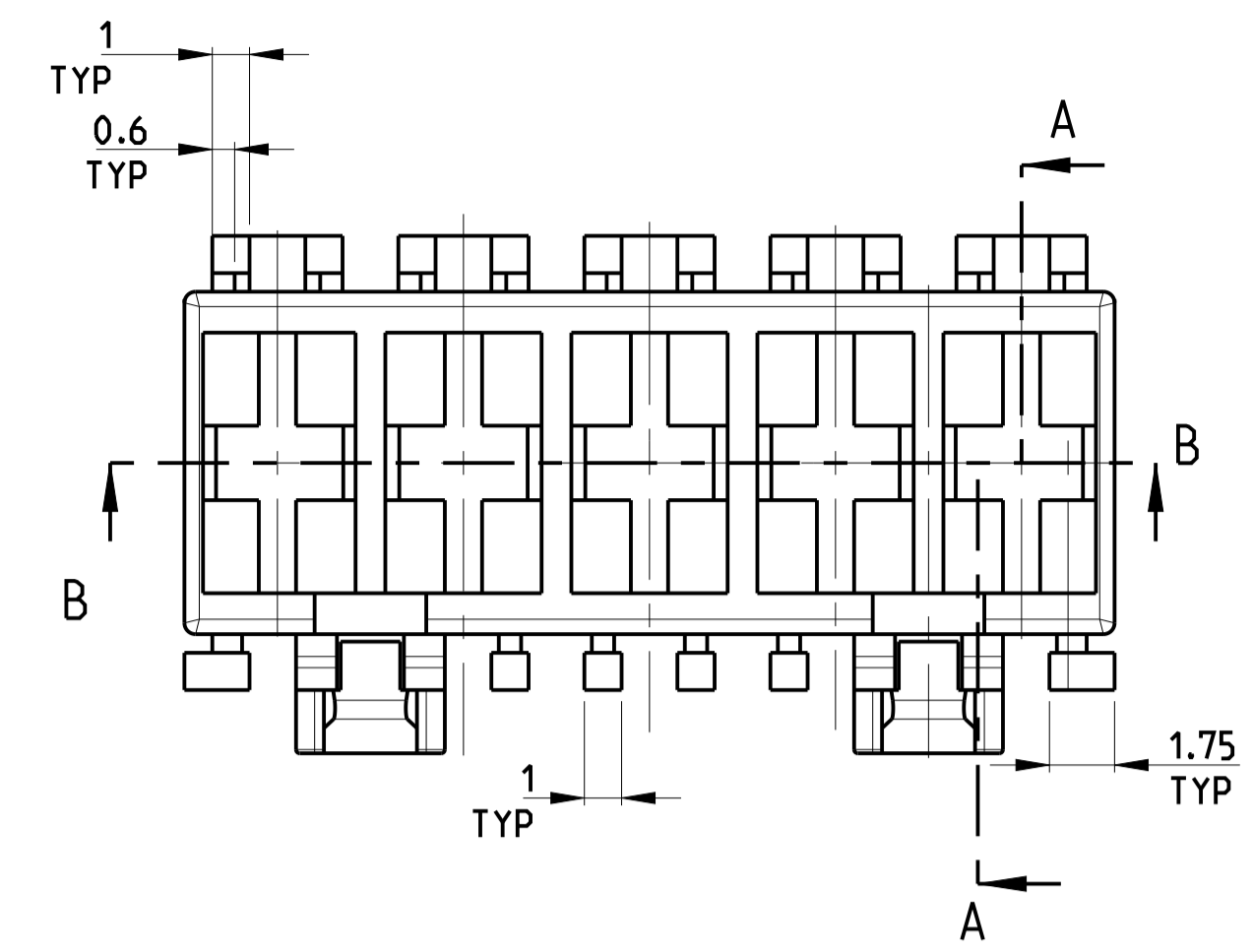
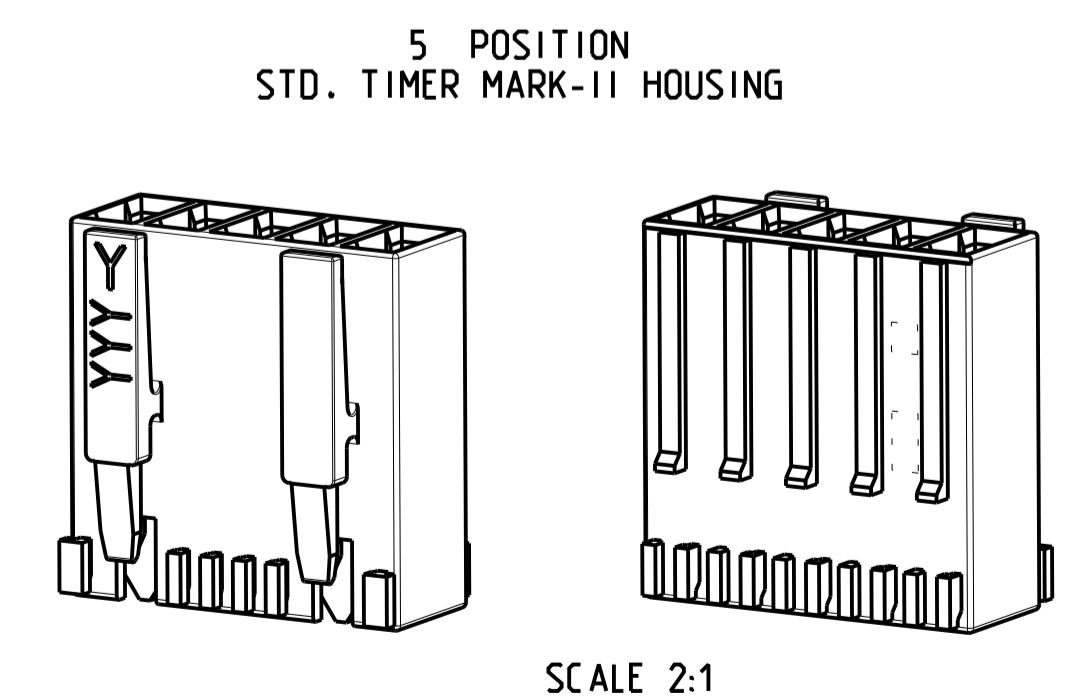


LOC		DIST		REVISIONS			
AI	-	P	LTR	DESCRIPTION	DATE	DWH	APVD
E1	ECR-21-100139				12 JAN 2021	KD	FL
E2	ECR-21-100675				23 FEB 2021	KD	FL
E3	ECR-21-102870				20 MAY 2021	SM	FL
E4	ECR-21-103933				14 JUN 2021	PJ	FL

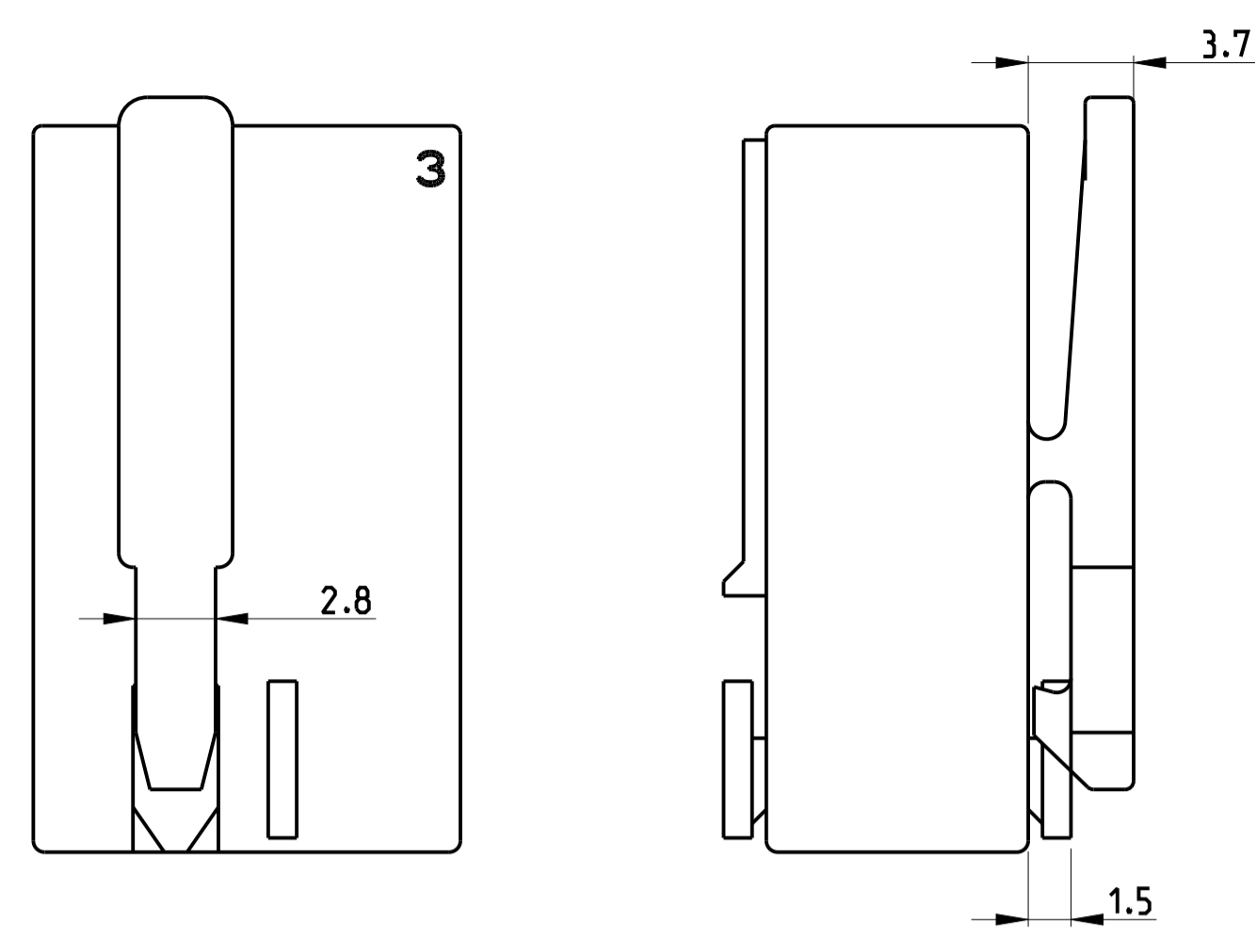


- REMARKS/Bemerkungen**
- 1 CAVITY SUITABLE FOR STANDARD TIMER CONTACTS LISTED IN PROD.SPEC. 108-18049. ITEM 3.3.2  
Kammer geeignet für Standard Timer Kontakte gelistet in Prod. Spec. 108-18049. Punkt 3.3.2
  - 2 CONTACT CAVITY NO.  
Kontaktkammernummerierung
  - 3 MATING STOP  
Tiefenanschlag
  - 4 AREA FOR TE LOGO ACC. TO SPEC 202-36  
Bereich für TE Logo nach Spec. 202-36
  - 5 POLARIZATION RIB POSITION "a" AND/OR "b"  
Polarisierungsrippe Position "a" und/oder "b"
  - 6 KEYING RIB POSITION "c" AND/OR "d"  
Kodierrippe Position "c" und/oder "d"
  - 6a KEYING RIB POSITION "c" AND/OR "d" AT THE END WALLS OF THE HOUSING  
Kodierrippe Position "c" und/oder "d" an den Gehäusestirnseiten
  - 7 LOCKING LATCH  
Rasthaken
  - 8 TE PART NO (PN)  
TE Bestell Nr. (PN)
  - 9 DESIGN OF THE HOUSINGS ACC. TO RAST 5 STANDARD  
Gehäuseausführung gemäss RAST 5 Vorgabe
  - 10 GENERAL SUITABLE TAB HEADER SEE RAST 5 PERFORMANCE  
Generell passende Flachsteckerwannen siehe RAST 5 Vorgabe
  - 11 PACKAGING: BULK PACKAGING IN CORRUGATED BOX PN 740580-2  
2 POS. 2500 PIECES PER BOX / 3 POS. 2000 PIECES PER BOX  
Verpackung: Schüttgut in Versandkarton Pn 740580-2  
2pol. 2500 Stück per Karton / 3pol. 2000 Stück per Karton
  - 12 DIMENSION A, B C AND D SEE SHEET 2 OF 3
  - 13 MATERIAL CORRESPONDS TO THE REQUIREMENT EN 60335  
(INCL. GLOW WIRE TEST 750° WITHOUT FLAME)  
Material entspricht den Anforderungen der EN 60335  
(inkl. Glühdrahttest 750° ohne Flamme)
  - 14 RATIO NUMBER OF THE KEYING VERSION, INKJET PRINTED. SEE SHEET 2  
Kodierungskennnummer, mit Tintenstrahldrucker aufgebracht. siehe Blatt 2
  - 15 PRELIMINARY- NOT RELEASED FOR PRODUCTION
  - 16 ONLY FOR 9-1241961-7. DIMENSION 3.2 -0.2
  - 17 DOUBLE SOURCE RESIN: ALTERNATIVE RESIN UNDER APPROVAL
  - 18 ALLOWED 25±0.2 FOR P/NS X-2364739-X.



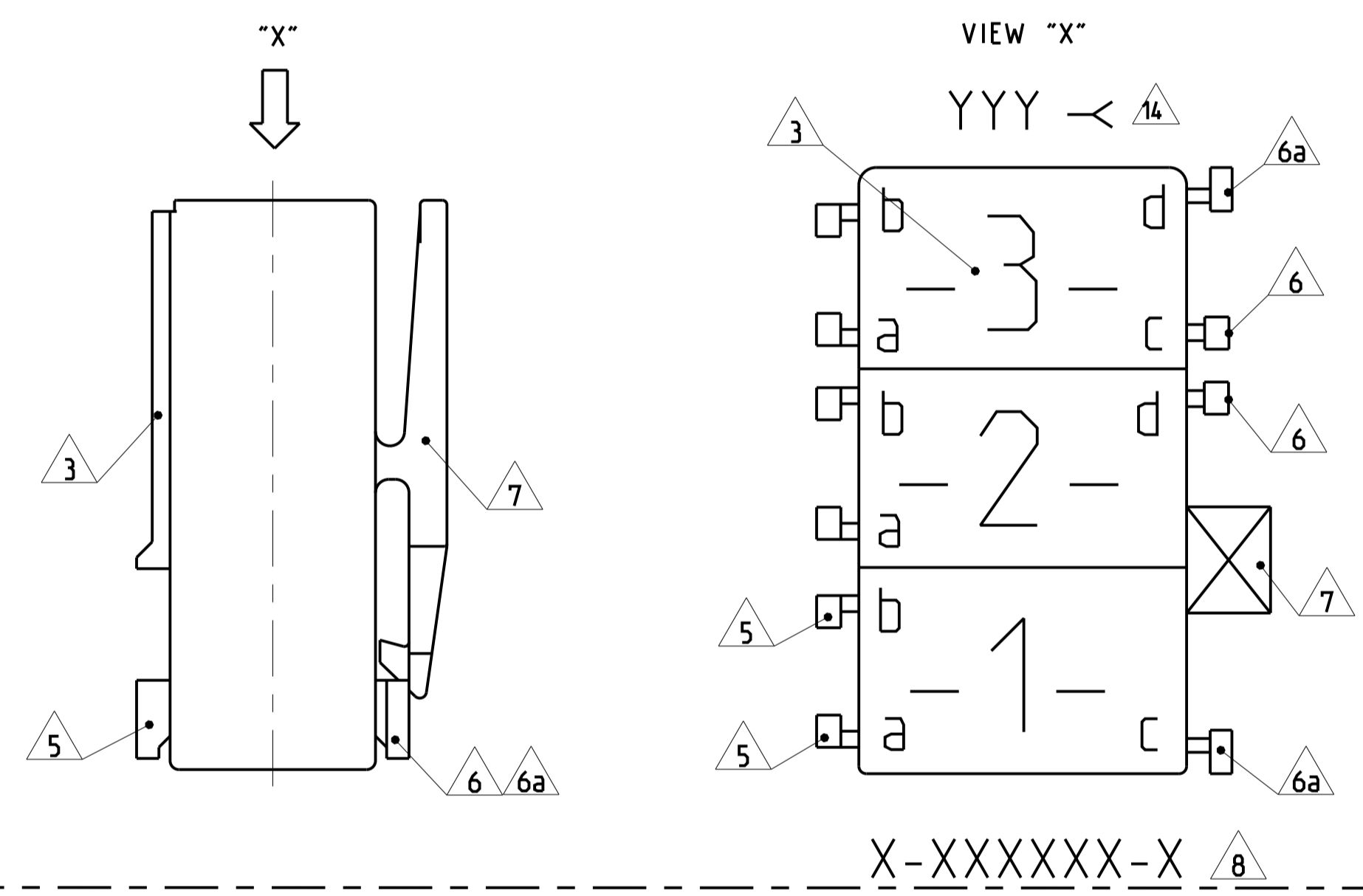
THIS DRAWING IS A CONTROLLED DOCUMENT.		DWH: Kishor M 18-10-07		TE Connectivity	
DIMENSIONS: mm		CHK: K. Murtz 18-10-07		NAME: STANDARD TIMER HSG. RAST 5 MARK II Standard Timer Gehäuse RAST 5 Mark II	
TOLERANCES UNLESS OTHERWISE SPECIFIED:		APPD: Tm Klanner 18-10-07	PRODUCT SPEC: 108-18049-1		
0 PLC ±0.2 1 PLC ±0.2 2 PLC ±0.2 3 PLC ±0.2 4 PLC ±0.2 5 PLC ±0.2 ANGLES ±° FINISH -		PRODUCT SPEC: 108-18049-1 APPLICATION SPEC:	SIZE: A1		
MATERIAL: SEE TABLES, SHEETS PAGE 2 AND 3 OF 4		WEIGHT: -	CAGE CODE: 00779		DRAWING NO: 1241961
		Customer Drawing	SCALE: 5:1		SHEET 1 OF 4 REV E4

ONLY 5-1241961-7, 1-1241961-9, 7-1241961-7, 2345753-1



ALL OTHER DIMENSIONS SEE SHEET 1 OF 3

KEY LAYOUT DESCRIPTION

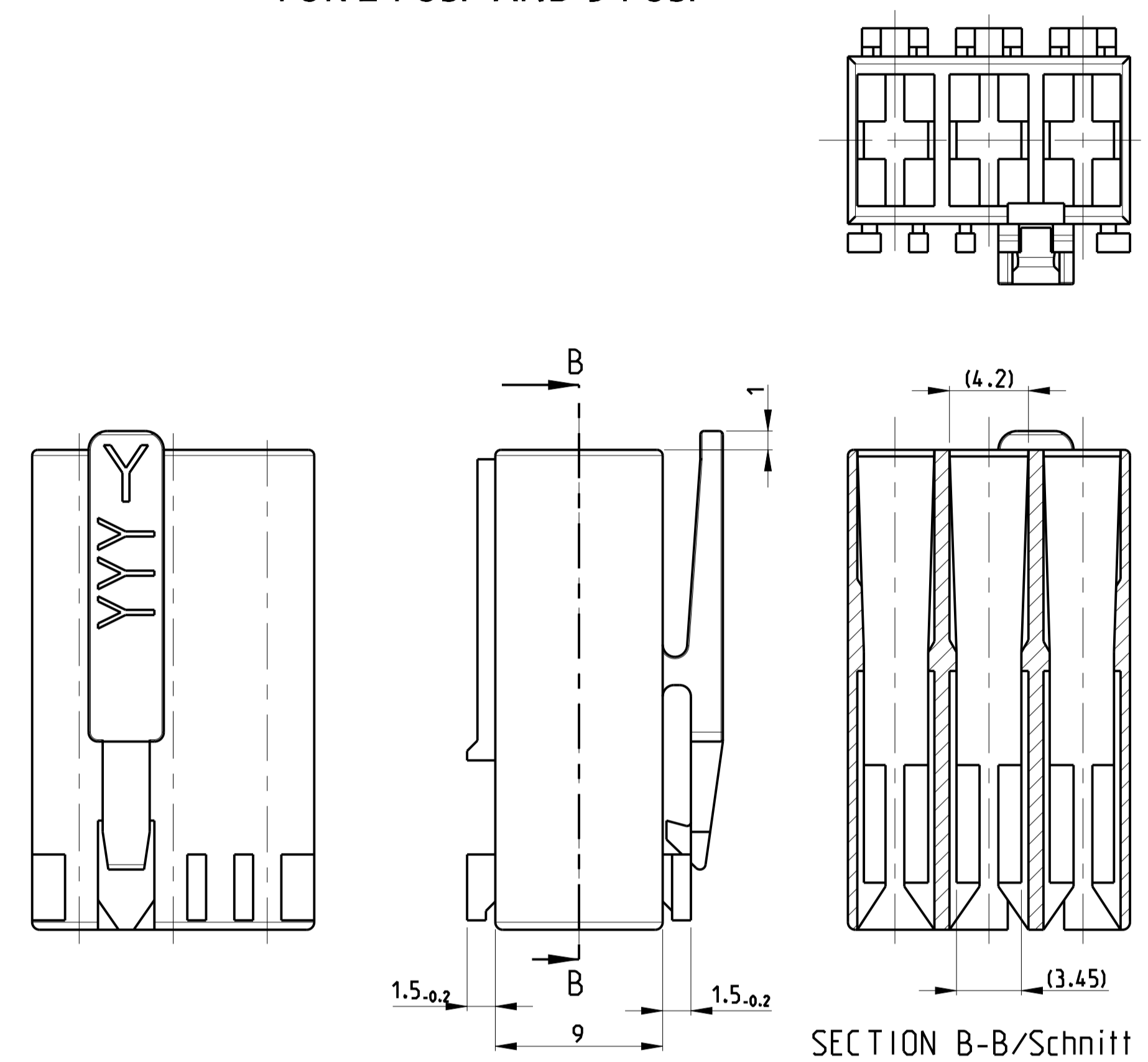


SPECIAL VERSION: UL94 V0 & GWT 750NF

2178571-3	4			20	15	PA 66, UL94 V-0	NATURAL
2178571-1	3			15	10	PA 66, UL94 V-0	NATURAL
2178571-2	2			10	5	PA 66, UL94 V-0	NATURAL
1-2178571-3	3			15	10	PA 66, UL94 V-0	NATURAL
PART NO	POS	DIM C	DIM D	DIM A	DIM B	MATERIAL	COLOUR Farbe
		12	12	12	12		

PAY ATTENTION !  
DIFFERENT CAVITY GEOMETRY AND LOCKING LATCHE OVERHANG  
Bitte beachten !  
Unterschiedliche Kammergeometrie und Rasthakenüberstand.

FOR 2 POS. AND 3 POS.



ALL OTHER DIMENSIONS SEE SHEET 1 OF 3  
Alle anderen Masse siehe Seite 1 von 3

SPECIAL MATERIAL: UL94 V0

2345753-1	3	6	1	15	10	PA66	NATURAL	C
-----------	---	---	---	----	----	------	---------	---

SPECIAL MATERIAL

1955507-4	4	6	1	20	15	PA66	NATURAL	1
9-1955506-2	2	6	1	10	5	UL 94 V0	NATURAL	1

6-1241961-7	3			15	10	PA 6 UL94V-2	NATURAL	13	1
4-1241961-7	3			15	10	PA 6 UL94V-2	NATURAL	13	A
3-1241961-7	3	4	0.5	15	10	PA 6 UL94V-2	NATURAL	13	A
1-1955422-7	3			15	10	PA 66 UNFILLED UL94 V0	NATURAL		A
5-1955422-7	3			15	10	PA 66 UNFILLED UL94 V0	NATURAL		A
4-1955422-3	2	6	1	10	5	PA 66 UNFILLED UL94 V0	NATURAL		A
2-1241817-3	3	4 or 6	0.5 or 1	15	10	PA 66 UL94 V-2	Green		E
0-1955422-6	3			15	10	PA 66 UNFILLED UL94 V0	NATURAL		A
8-1241961-8	3			15	10				C
0-1241961-8	3			15	10	PA 6 UL94V-2	natural	13	A
8-1241961-3	2	4	0.5	10	5				C
3-1241961-1	2			10	5	PA 6 UL94V-2	NATURAL	13	C
0-1955422-1	2			10	5	PA 66 UNFILLED UL94 V0	NATURAL		A
PART NO	POS	DIM C	DIM D	DIM A	DIM B	MATERIAL	COLOUR Farbe	REV./Rev.	
		12	12	12	12				

REVISONS	
NO	DESCRIPTION

SEE SHEET-01

LOC	DIST	QTY	REV	DATE	DWG	APPRO

0-1241959-5	5	25	20			B		
4-1241959-4	4	20	15			A		
2-1241959-4	4	20	15			B		
0-1241959-4	4	20	15					
2-1241817-5	5	6	1	25	20			
0-1241817-5	4	0.5	25	20				
3-1241817-4	4	0.5	20	15				
2-1241817-4	4	6	1	20	15			
0-1241817-4	4	0.5	20	15				
2-1241983-2		10	5					
1-1241983-2		10	5					
0-1241983-2	2	4	0.5	10	5			
8-1241983-2		10	5					
5-1241983-3		10	5					
6-1241983-2		10	5					
9-1241961-7		4	0.5	15	10			
9-1241961-8		4	0.5	15	10			
6-1241961-8		4	0.5	15	10			
5-1241961-8		4 or 6	0.5 or 1	15	10			
4-1241961-8		4	0.5	15	10			
7-1241961-8		4	0.5	15	10			
1-1241961-8	3	4 or 6	0.5 or 1	15	10			
3-1241961-8		6	1	15	10			
2-1241961-8				15	10			
2-1241961-7				15	10			
1-1241961-7		4	0.5	15	10			
9-1241961-9				15	10			
0-1241961-6				15	10			
3-1241961-3				10	5			
2-1241961-2				10	5			
5-1241961-2				10	5			
4-1241961-3				10	5			
7-1241961-2				10	5			
7-1241961-3				10	5			
6-1241961-3				10	5			
3-1241961-2	2	4	0.5	10	5			
5-1241961-3				10	5			
6-1241961-2				10	5			
0-1241961-3				10	5			
8-1241961-2				10	5			
9-1241961-2				10	5			
0-1241961-1				10	5			
9-969484-9	3	6	1	15	10			
2-969484-8				15	10			
4-969484-8				15	10			
0-969484-8		4 or 6	0.5 or 1	15	10			
9-969484-7				15	10			
8-969484-7		4	0.5	15	10			
7-969484-7				15	10			
6-969484-7				15	10			
5-969484-7		4	0.5	15	10			
4-969484-7				15	10			
3-969484-7		4	0.5	15	10			
2-969484-7				15	10			
1-969484-7	3	4	0.5	15	10			
0-969484-7				15	10			
9-969484-6				15	10			
8-969484-6		6	1	15	10			
7-969484-6				15	10			
6-969484-6				15	10			
5-969484-6				15	10			
4-969484-6				15	10			
3-969484-6		6	1	15	10			
2-969484-6				15	10			
1-969484-6				15	10			
0-969484-6				15	10			
7-969484-3				10	5			
6-969484-3				10	5			
5-969484-3		4	0.5	10	5			
4-969484-3				10	5			
3-969484-3				10	5			
2-969484-3				10	5			
1-969484-3				10	5			
0-969484-3				10	5			
9-969484-2				10	5			
8-969484-2				10	5			
7-969484-2				10	5			
6-969484-2		4	0.5	10	5			
5-969484-2				10	5			
4-969484-2				10	5			
3-969484-2				10	5			
2-969484-2				10	5			
1-969484-2				10	5			
0-969484-2				10	5			
9-969484-1				10	5			
8-969484-1				10	5			
7-969484-1		6	1	10	5			
6-969484-1		4	1	10	5			
5-969484-1				10	5			
4-969484-1		6	1	10	5			
3-969484-1				10	5			
2-969484-1		4	0.5	10	5			
1-969484-1				10	5			
0-969484-1				10	5			
PART NO	POS.	DIM C	DIM D	DIM A	DIM B	MATERIAL	COLOUR	REV
		12	12	12	12			

THIS DRAWING IS A CONTROLLED DOCUMENT.

APPROVED: Kishor M. 18-10-07

CHK: K. Murtz 18-10-07

APPROVED: T. Klenner 18-10-07

Customer Drawing

STANDARD TIMER HSG. RAST 5 MARK II  
Standard Timer Gehäuse RAST 5 Mark II

SIZE: A1 | CODE: 00779 | DRAWING NO: 1241961 | SHEET: 2 OF 4

LOC	DIST	REVISIONS			
P	LTN	DESCRIPTION	DATE	DWN	APVD
		SEE SHEET 1			

SPECIAL VERSION: UL94 V0 & GWEPT 750°C NF									
2364739-5	5	4	0.5	25	20	PA66 13 17	BLUE	C	
2364739-4	4			20	15		BLUE	C	
1-2364739-3	3			15	10		BLUE	C	
2364739-3				15	10		BLUE	C	
1-2364739-2	2			10	5		BLUE	C	
2364739-2				10	5		BLUE	C	
3-2364739-2	2			10	5		BLUE	C	
2-2364739-2				10	5		BLUE	C	


SPECIAL VERSION: UL94 V0 & GWT 750 NF & CTI 350									
5-1241961-7	3	6	1	15	10	PA66 13	NATURAL	A	
1-1241961-9	3			15	10		NATURAL	A	
7-1241961-7	3			15	10		NATURAL	A	

SPECIAL VERSION: UL94 V0 & GWT 750 NF									
2322164-1	4	4	0.5	20	15	PA66 13	NATURAL	1	

SPECIAL VERSION: UL94 V2 & GWT 750 NF									
6-2178575-7	3	4	0.5	15	10	PA6 GF15 13	NATURAL	A	

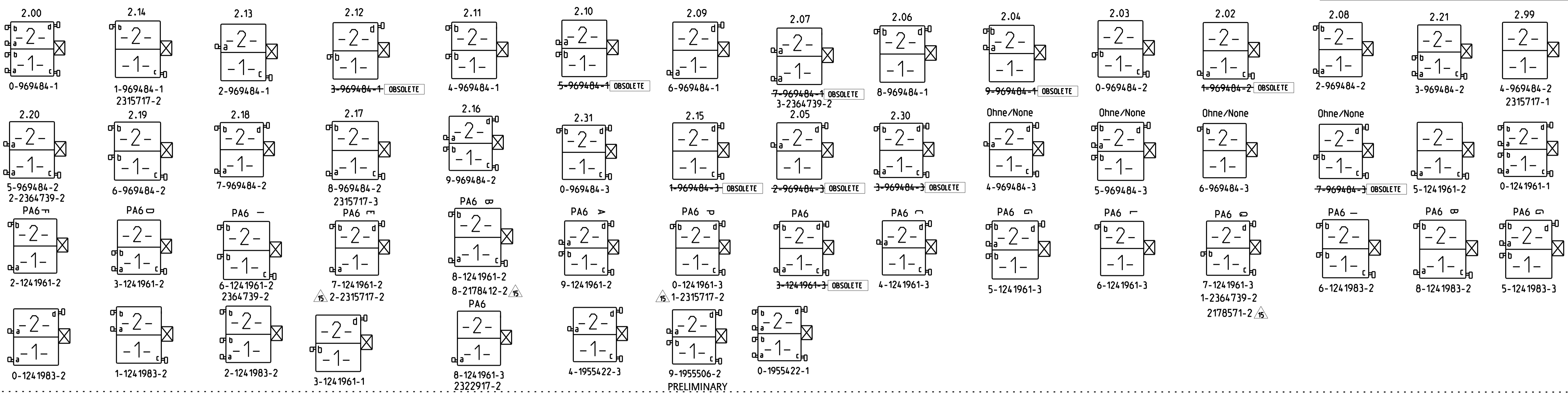
SPECIAL VERSION: UL94 V0 & GWT 750 NF									
3-2178412-7	3	6	1	15	10	PA66 13 UL94 V0 & GWT 750 NF	NATURAL	1	
4-2178412-7	3			15	10		NATURAL	1	
8-2178412-2	2			10	5		NATURAL	1	

UL94 V0 & GWT 750 NF											
2322917-4	4	4	0.5	20	15	PA66 UL94 V0 & GWT 750 NF 13	NATURAL	C			
2322917-2	2			10	5		NATURAL	C			
2315717-1	2			10	5		NATURAL	C			
2315717-2	2			10	5		NATURAL	C			
2315717-3	2			10	5		NATURAL	C			
1-2315717-2	2			10	5		NATURAL	1			
2-2315717-2	2			10	5		NATURAL	1			
2315717-4	4			20	15		NATURAL	C			
2315717-5	4			20	15		NATURAL	C			
2315717-6	3			15	10		NATURAL	C			
2315717-7	3			15	10		NATURAL	C			
1-2315717-3	3			15	10		NATURAL	E			
PART NO.	POS			DIM C	DIM D		DIMA	DIM B	MATERIAL	COLOUR	REV.

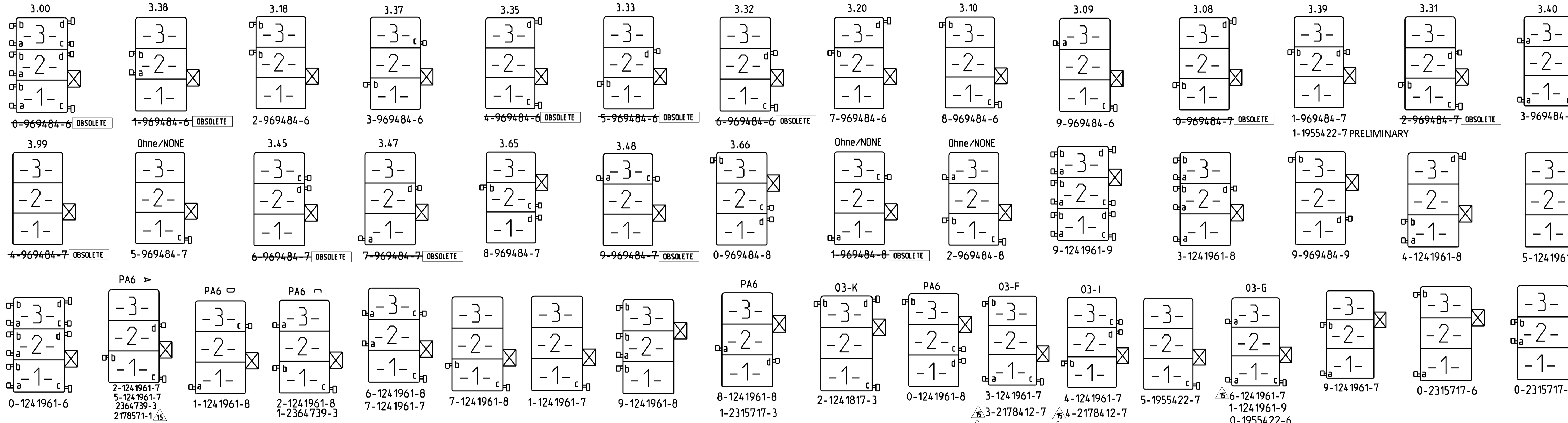
THIS DRAWING IS A CONTROLLED DOCUMENT.		Dwn: Kishor M. 18-10-07	 TE Connectivity NAME: STANDARD TIMER HSG. RAST 5 MARK II Standard Timer Gehäuse RAST 5 Mark II PRODUCT SPEC: 108-18049 APPLICATION SPEC:
DIMENSIONS: mm		Chr: K. Munz 18-10-07	
TOLERANCES UNLESS OTHERWISE SPECIFIED:		App: Th. Klöpper 18-10-07	
0 PLC ±0.2 1 PLC ±0.2 2 PLC ±0.2 3 PLC ±0.2 4 PLC ±0.2 ANGLES *° FINISH -		RESTRICTED TO SIZE: A1 CAGE CODE: 00779 DRAWING NO: 1241961 WEIGHT: - Customer Drawing	
MATERIAL: SEE TABLES. SHEETS PAGE 2 AND 3 OF 4		SCALE: 5:1	SHEET: 3 OF 4

REVISONS		DATE	DRW	APVD
1	SEE SHEET-01			

### 2 POSITION VARIANTS

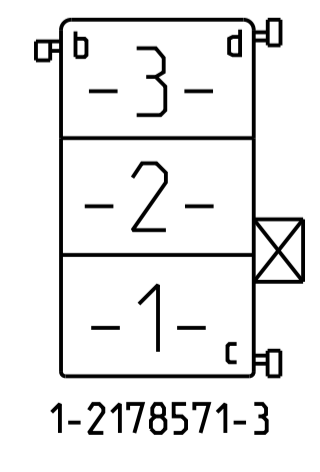
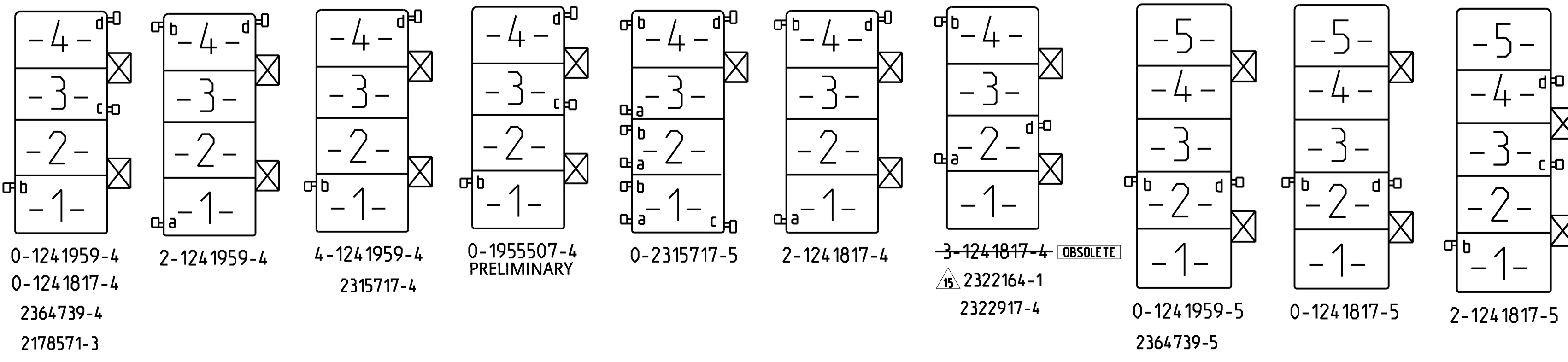


### 3 POSITION VARIANTS



### 4 POSITION VARIANTS

### 5 POSITION VARIANTS



THIS DRAWING IS A CONTROLLED DOCUMENT.		DRW: Kishor M. 18-10-07	 TE Connectivity	NAME: STANDARD TIMER HSG. RAST 5 MARK II Standard Timer Gehäuse RAST 5 Mark II
DIMENSIONS: mm		CHK: K. Murtz 18-10-07		PRODUCT SPEC: 108-18049
TOLERANCES UNLESS OTHERWISE SPECIFIED:		APVD: T. Klöpper 18-10-07		APPLICATION SPEC: -
0 PLC ±0.2 1 PLC ±0.2 2 PLC ±0.2 3 PLC ±0.2 4 PLC ±0.2 ANGLES ±° FINISH -		1-2178571-3 2-2178571-3 3-2178571-3 4-2178571-3 5-2178571-3 6-2178571-3 7-2178571-3 8-2178571-3 9-2178571-3 10-2178571-3 11-2178571-3 12-2178571-3 13-2178571-3 14-2178571-3 15-2178571-3 16-2178571-3 17-2178571-3 18-2178571-3 19-2178571-3 20-2178571-3 21-2178571-3 22-2178571-3 23-2178571-3 24-2178571-3 25-2178571-3 26-2178571-3 27-2178571-3 28-2178571-3 29-2178571-3 30-2178571-3 31-2178571-3 32-2178571-3 33-2178571-3 34-2178571-3 35-2178571-3 36-2178571-3 37-2178571-3 38-2178571-3 39-2178571-3 40-2178571-3 41-2178571-3 42-2178571-3 43-2178571-3 44-2178571-3 45-2178571-3 46-2178571-3 47-2178571-3 48-2178571-3 49-2178571-3 50-2178571-3 51-2178571-3 52-2178571-3 53-2178571-3 54-2178571-3 55-2178571-3 56-2178571-3 57-2178571-3 58-2178571-3 59-2178571-3 60-2178571-3 61-2178571-3 62-2178571-3 63-2178571-3 64-2178571-3 65-2178571-3 66-2178571-3 67-2178571-3 68-2178571-3 69-2178571-3 70-2178571-3 71-2178571-3 72-2178571-3 73-2178571-3 74-2178571-3 75-2178571-3 76-2178571-3 77-2178571-3 78-2178571-3 79-2178571-3 80-2178571-3 81-2178571-3 82-2178571-3 83-2178571-3 84-2178571-3 85-2178571-3 86-2178571-3 87-2178571-3 88-2178571-3 89-2178571-3 90-2178571-3 91-2178571-3 92-2178571-3 93-2178571-3 94-2178571-3 95-2178571-3 96-2178571-3 97-2178571-3 98-2178571-3 99-2178571-3 100-2178571-3		RESTRICTED TO: -
MATERIAL: SEE TABLES. SHEETS PAGE 2 AND 3 OF 4		WEIGHT: -	SIZE: A1	SCALE: 5:1

## X-ON Electronics

Largest Supplier of Electrical and Electronic Components

*Click to view similar products for [Automotive Connectors](#) category:*

*Click to view products by [TE Connectivity](#) manufacturer:*

Other Similar products are found below :

[003-018-000](#) [60403001](#) [60993906-B](#) [M902-2131](#) [M902-2161](#) [M902-2344](#) [72.330.1035.1](#) [73.353.4028.0](#) [F119300-B](#) [F166900](#) [F258300-B](#)  
[F358300-B](#) [F407400](#) [F444110](#) [F487000](#) [F509500B-B](#) [827153-1](#) [8N1515-32-24P](#) [9-1326729-8](#) [925474-1](#) [928905-1](#) [964562-4](#) [968782-1](#)  
[GT17SA-8DS-HU](#) [98891-1012](#) [98947-1016](#) [12004147](#) [12004475-L](#) [12010290](#) [12010309-B](#) [12015454](#) [12020219-B](#) [12041318-B](#) [12052225-](#)  
[L](#) [12052466](#) [12064869](#) [12004327-B](#) [12015308](#) [12015384](#) [12015909](#) [1-21030-1](#) [12041254](#) [12041318](#) [12047946-B](#) [12047957](#) [12047957-L](#)  
[12059473](#) [12066261](#) [12110546](#) [12110546-B](#)