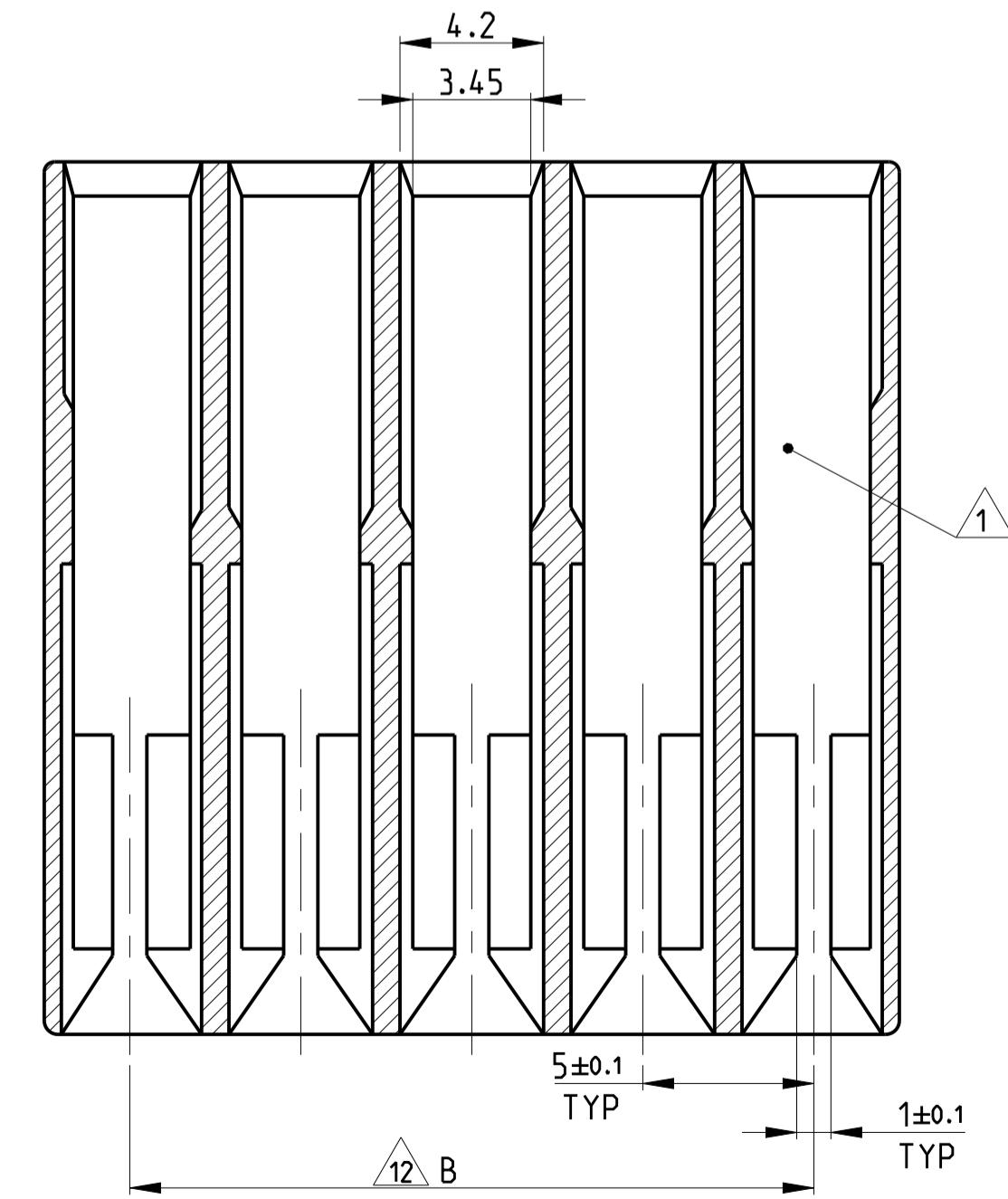
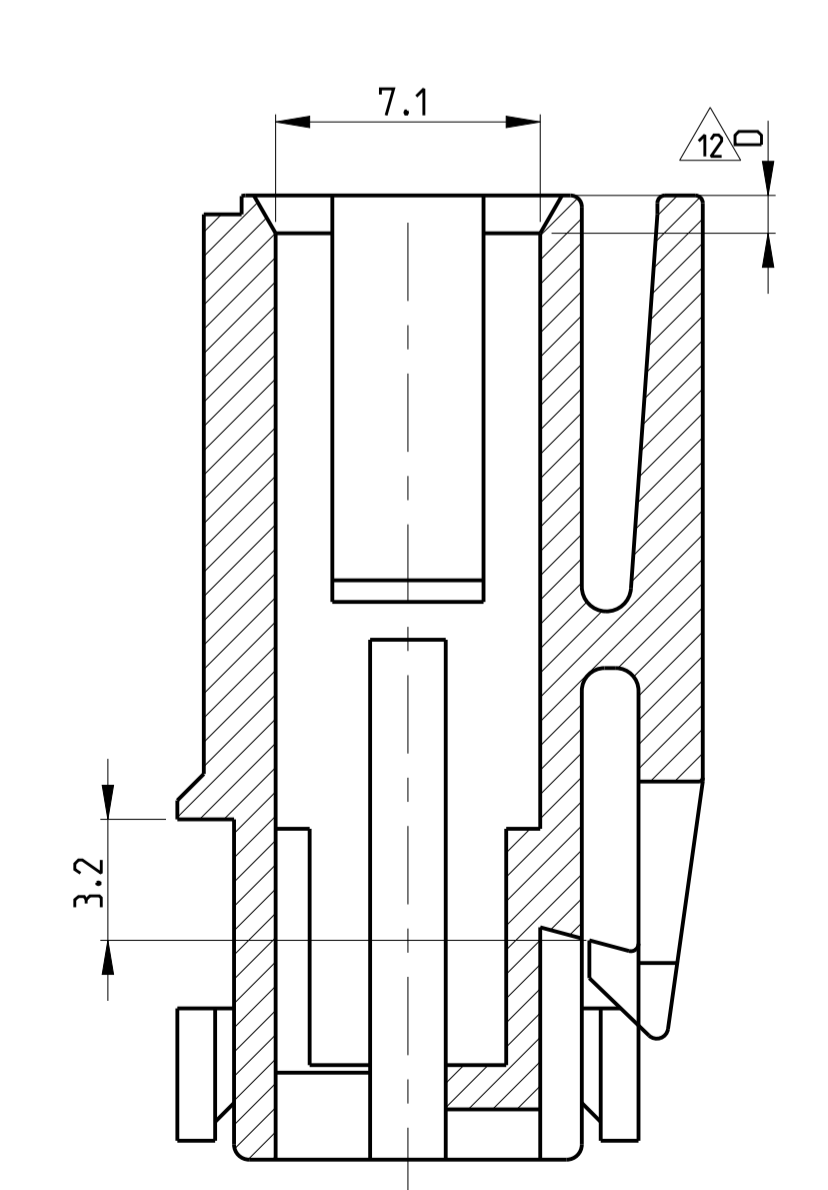
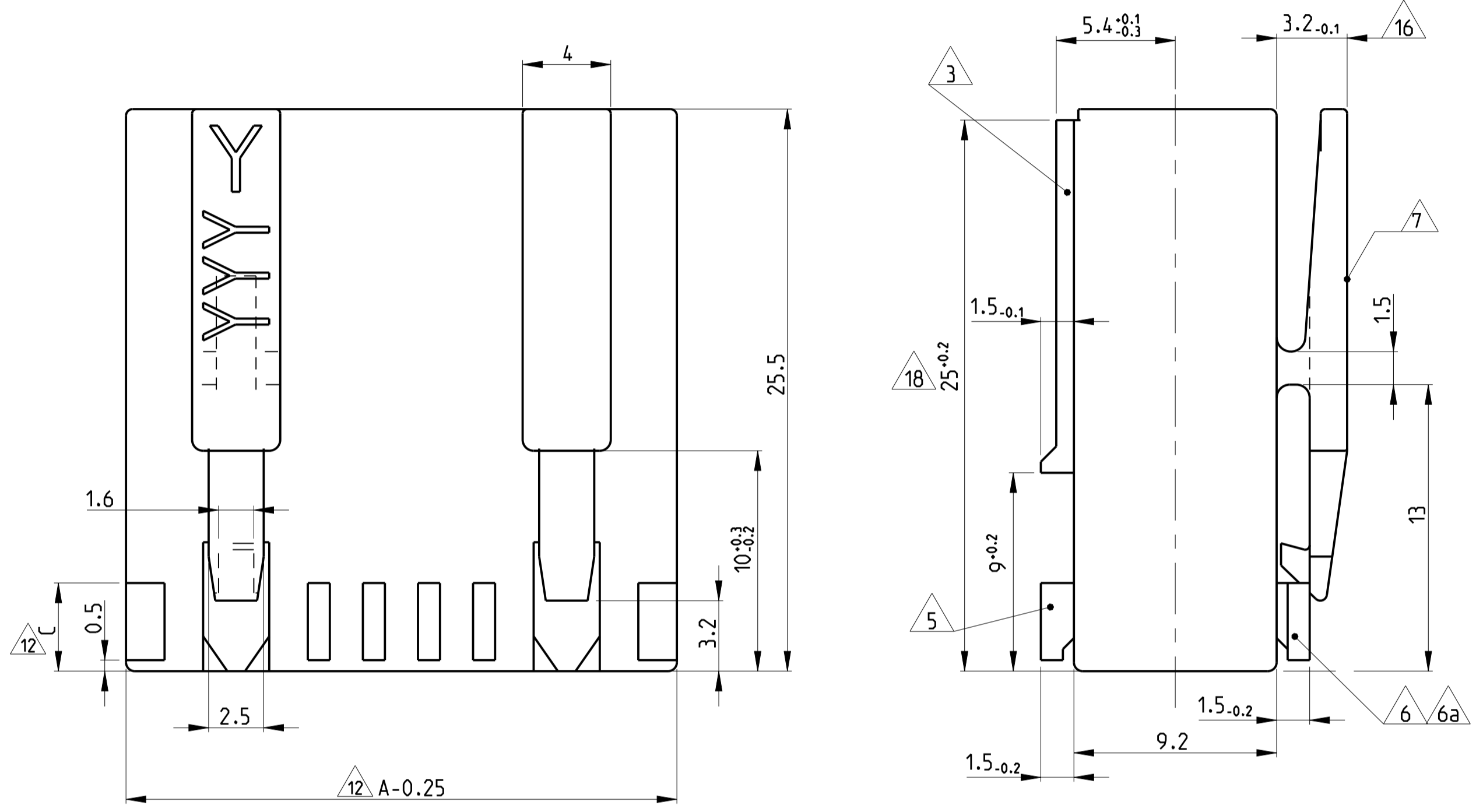
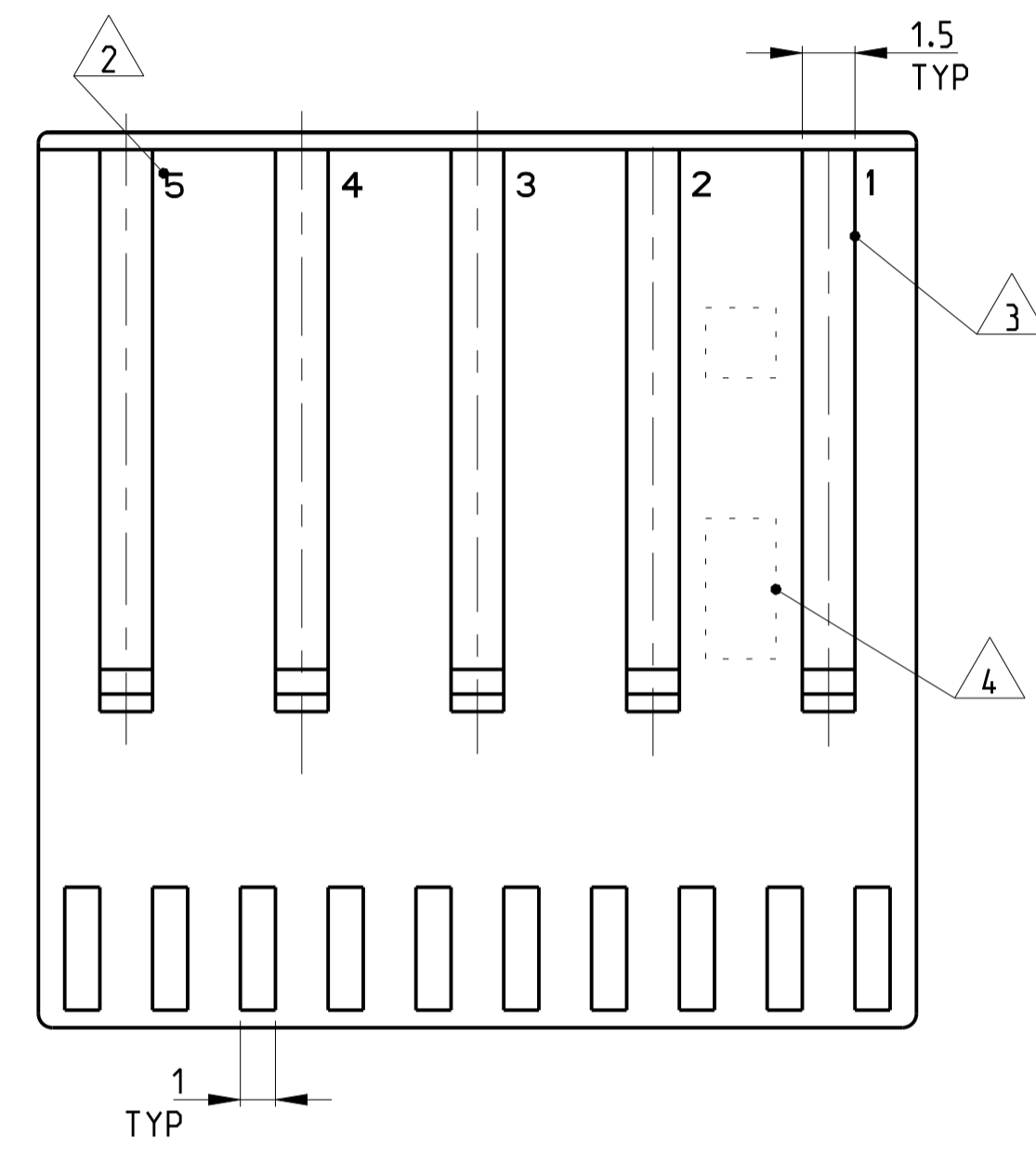
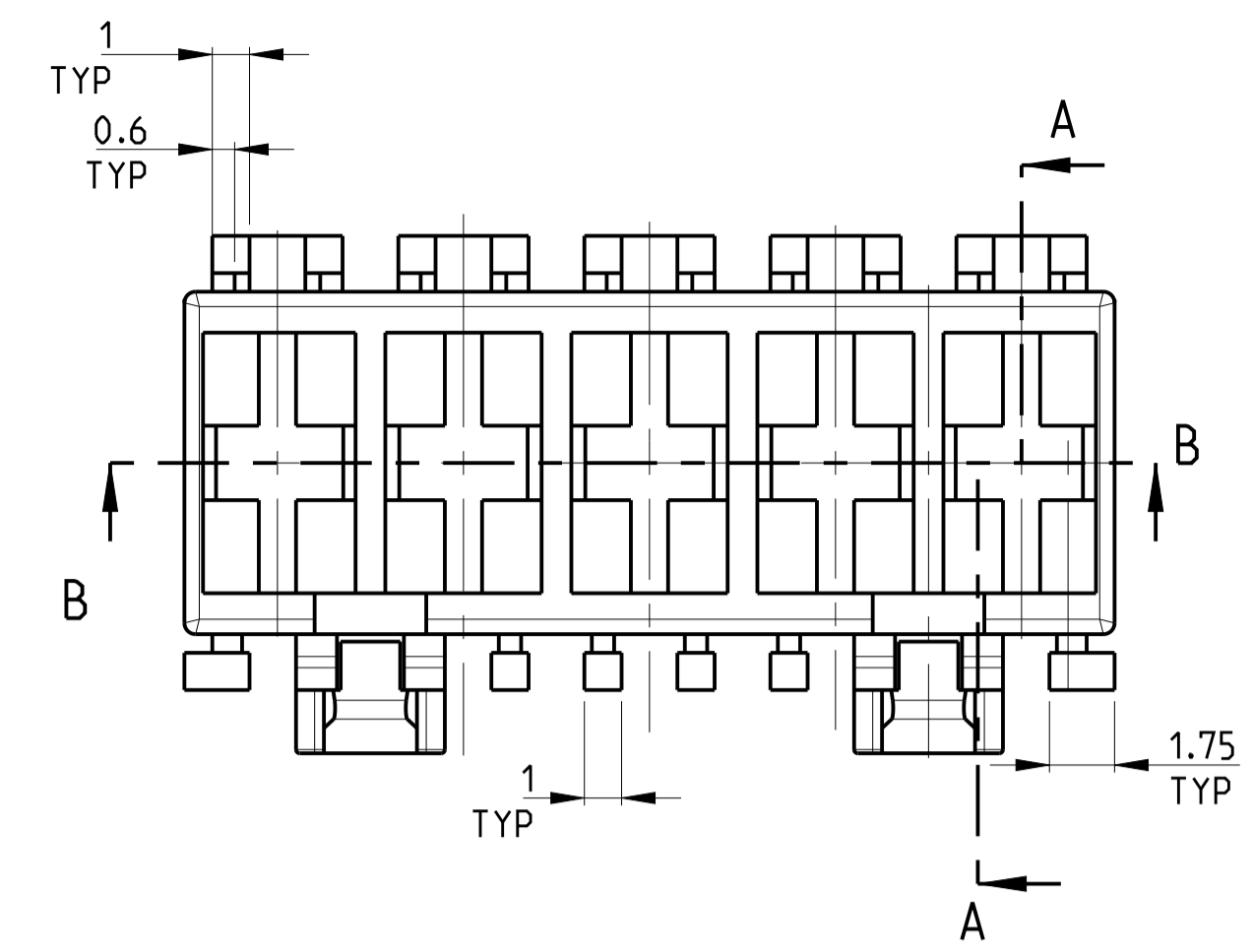
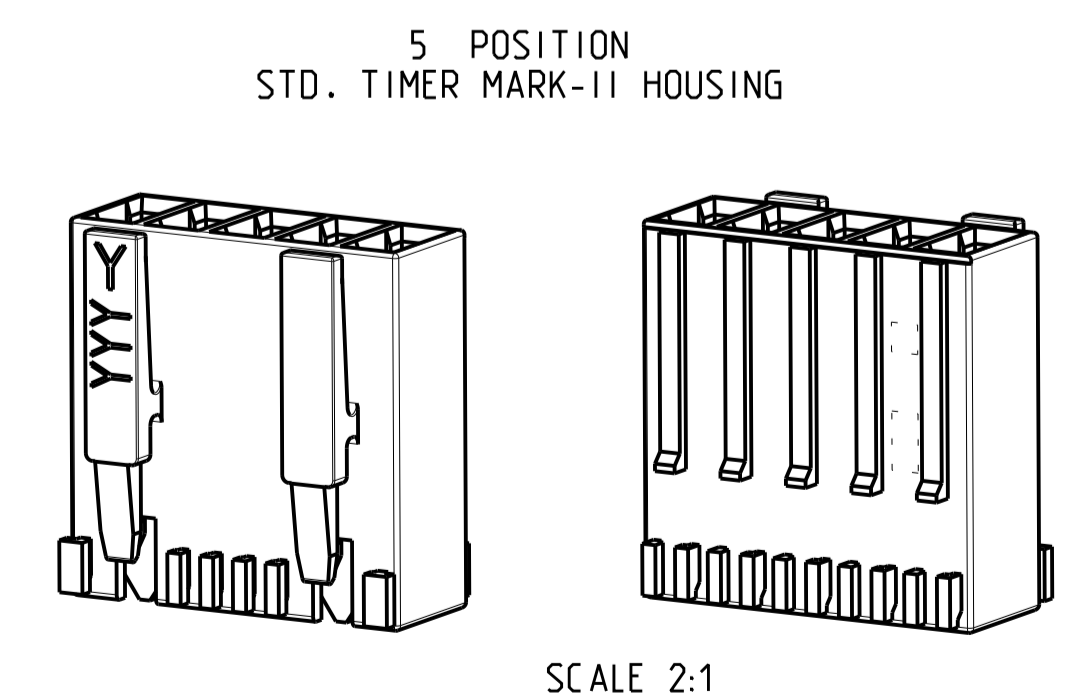


LOC	DIST	REVISIONS					
		P	LTR	DESCRIPTION	DATE	DWN	APVD
C50	ECR-20-008727				22 JUN 2020	DC	FL
D	ECR-20-009446				09 JUL 2020	KD	FL
D1	ECR-20-100327				12 AUG 2020	KD	FL
E	ECR-20-100431				11 SEP 2020	KD	FL



- REMARKS/Bemerkungen**
- 1 CAVITY SUITABLE FOR STANDARD TIMER CONTACTS LISTED IN PROD.SPEC. 108-18049. ITEM 3.3.2
Kammer geeignet für Standard Timer Kontakte gelistet in Prod. Spec. 108-18049. Punkt 3.3.2
 - 2 CONTACT CAVITY NO.
Kontaktkammernummerierung
 - 3 MATING STOP
Tiefenanschlag
 - 4 AREA FOR TE LOGO ACC: TO SPEC 202-36
Bereich für TE Logo nach Spec. 202-36
 - 5 POLARIZATION RIB POSITION "a" AND/OR "b"
Polarisierungsrippe Position "a" und/oder "b"
 - 6 KEYING RIB POSITION "c" AND/OR "d"
Kodierrippe Position "c" und/oder "d"
 - 6a KEYING RIB POSITION "c" AND/OR "d" AT THE END WALLS OF THE HOUSING
Kodierrippe Position "c" und/oder "d" an den Gehäusestirnseiten
 - 7 LOCKING LATCH
Rasthaken
 - 8 TE PART NO (PN)
TE Bestell Nr. (PN)
 - 9 DESIGN OF THE HOUSINGS ACC: TO RAST 5 STANDARD
Gehäuseausführung gemäss RAST 5 Vorgabe
 - 10 GENERAL SUITABLE TAB HEADER SEE RAST 5 PERFORMANCE
Generell passende Flachsteckerwannen siehe RAST 5 Vorgabe
 - 11 PACKAGING: BULK PACKAGING IN CORRUGATED BOX PN 740580-2
2 POS. 2500 PIECES PER BOX / 3 POS. 2000 PIECES PER BOX
Verpackung: Schüttgut in Versandkarton Pn 740580-2
2pol. 2500 Stück per Karton / 3pol. 2000 Stück per Karton
 - 12 DIMENSION A, B C AND D SEE SHEET 2 OF 3
 - 13 MATERIAL CORRESPONDS TO THE REQUIRMENT EN 60335
(INCL. GLOW WIRE TEST 750° WITHOUT FLAME)
Material entspricht den Anforderungen der EN 60335
(inkl. Glühdrahttest 750° ohne Flamme)
 - 14 RATIO NUMBER OF THE KEYING VERSION, INKJET PRINTED. SEE SHEET 2
Kodierungskennnummer, mit Tintenstrahldrucker aufgebracht. siehe Blatt 2
 - 15 PRELIMINARY- NOT RELEASED FOR PRODUCTION
 - 16 ONLY FOR 9-1241961-7. DIMENSION 3.2 -0.2
 - 17 DOUBLE SOURCE RESIN: ALTERNATIVE RESIN UNDER APPROVAL
 - 18 ALLOWED 25±0.2 FOR P/Ns X-2364739-X.



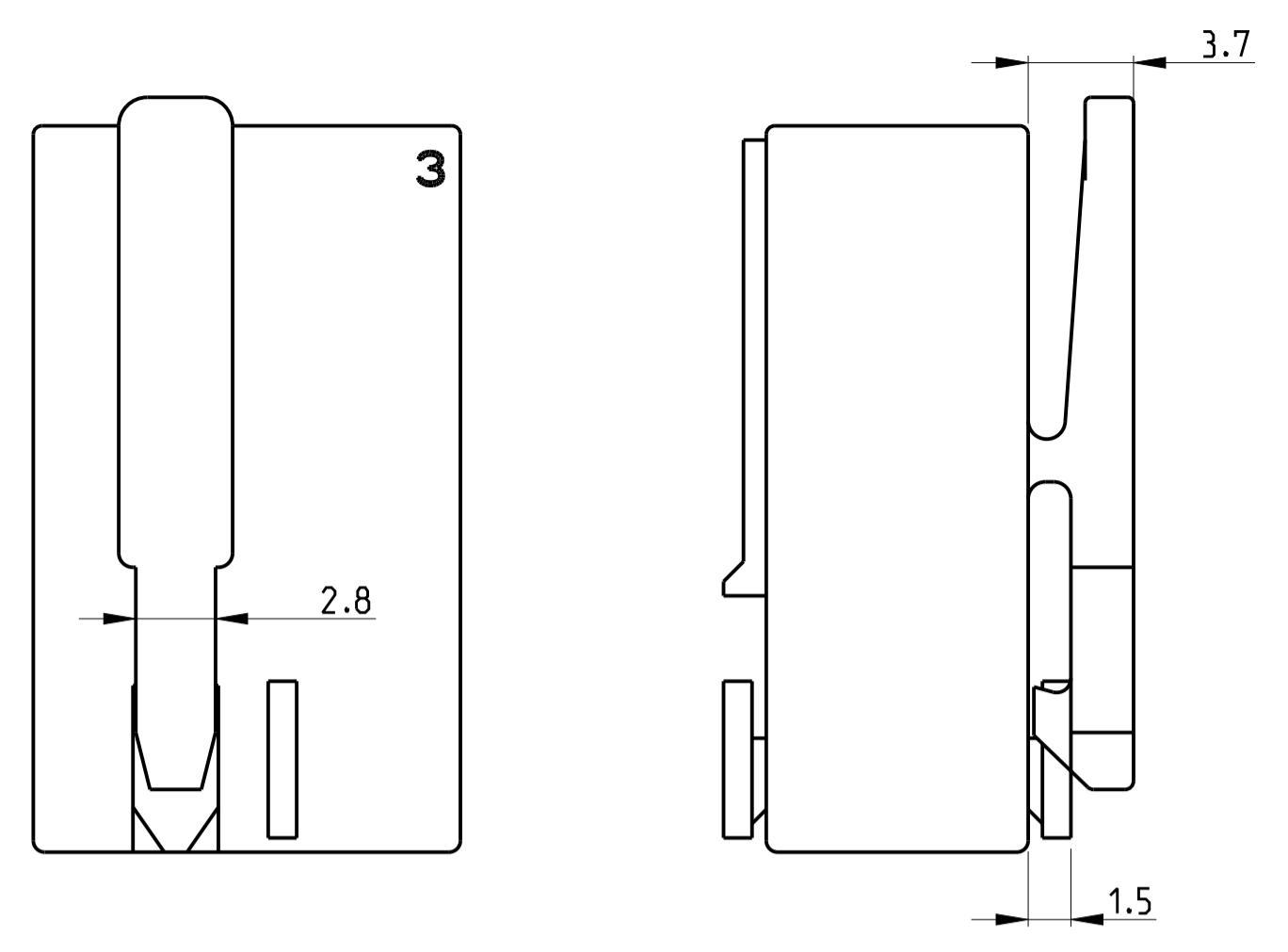
SCALE 2:1

SECTION A-A / Schnitt A-A

SECTION B-B / Schnitt B-B

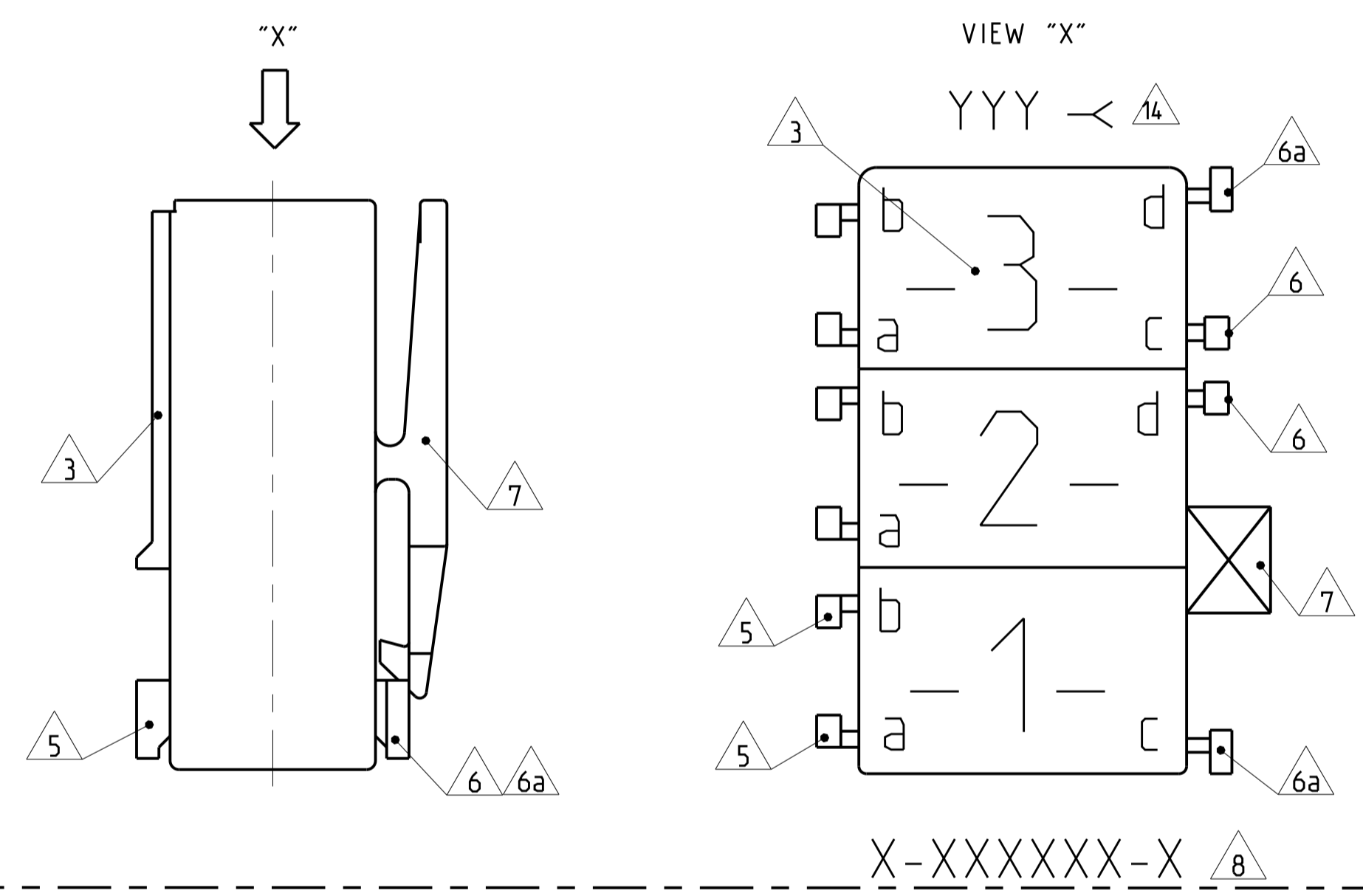
THIS DRAWING IS A CONTROLLED DOCUMENT.		DWN: Kishor M. 18-10-07		TE Connectivity	
DIMENSIONS: mm		CHK: K. Murtz 18-10-07		NAME: STANDARD TIMER HSG. RAST 5 MARK II Standard Timer Gehäuse RAST 5 Mark II	
TOLERANCES UNLESS OTHERWISE SPECIFIED:		APVD: Tm. Klanner 18-10-07	PRODUCT SPEC: 108-18049-1		
0 PLC ±0.2		APPLICATION SPEC: -			
1 PLC ±0.2		SIZE: -			
2 PLC ±0.2		CAGE CODE: -			
3 PLC ±0.2		DRAWING NO: A1 00779			
4 PLC ±0.2		SHEET 1 OF 4			
5 PLC ±0.2		REV E			
ANGLES: -		Customer Drawing			
FINISH: -		SCALE: 5:1			
MATERIAL: -		WEIGHT: -			
SEE TABLES, SHEETS PAGE 2 AND 3 OF 4		RESTRICTED TO: -			

ONLY 5-1241961-7, 1-1241961-9, 7-1241961-7, 2345753-1



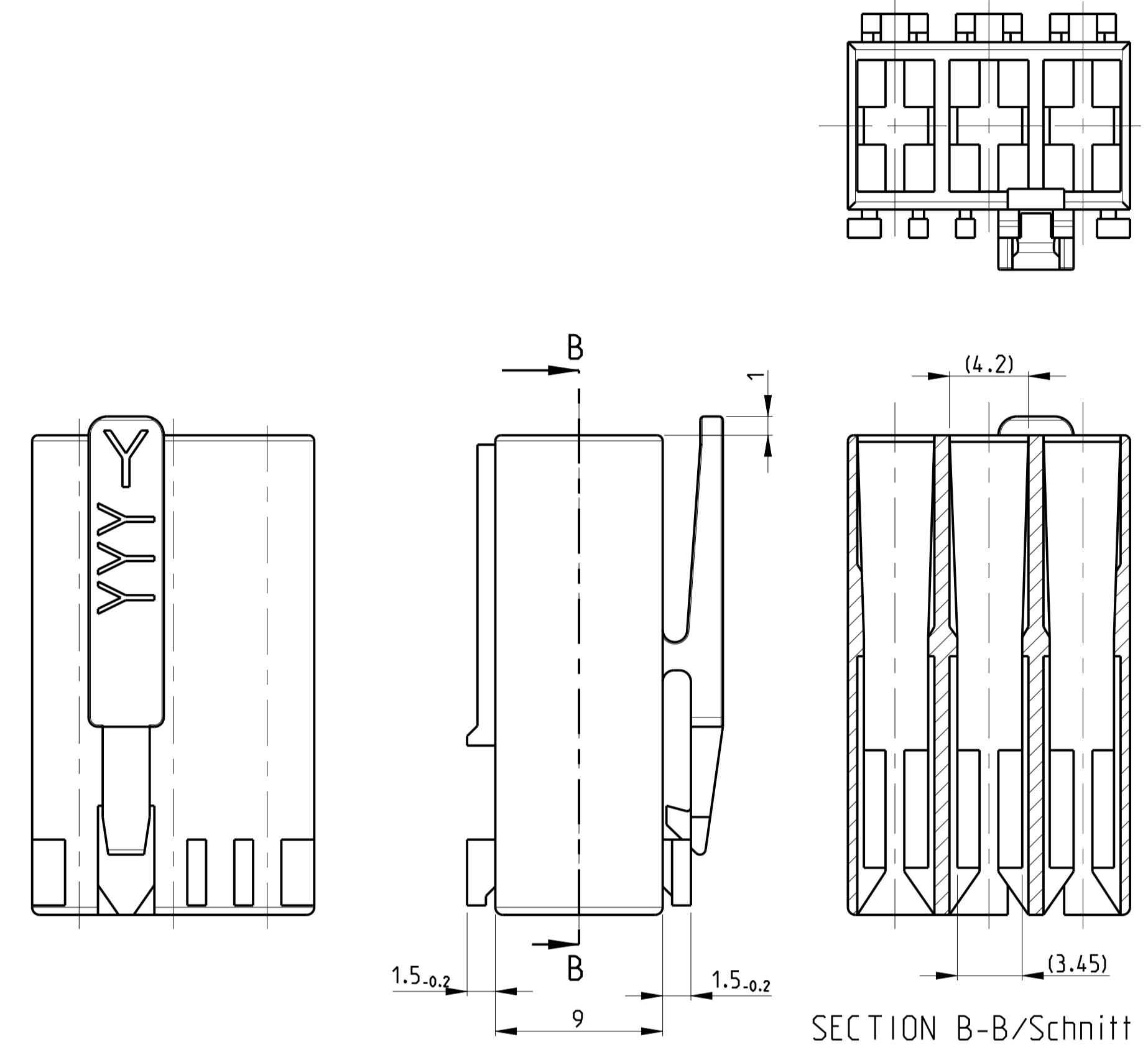
ALL OTHER DIMENSIONS SEE SHEET 1 OF 3

KEY LAYOUT DESCRIPTION



PAY ATTENTION !
DIFFERENT CAVITY GEOMETRY AND LOCKING LATCHE OVERHANG
Bitte beachten !
Unterschiedliche Kammergeometrie und Rasthakenuberstand.

FOR 2 POS. AND 3 POS.



ALL OTHER DIMENSIONS SEE SHEET 1 OF 3
Alle anderen Masse siehe Seite 1 von 3

SPECIAL MATERIAL: UL94 V0								
2345753-1	3	6	1	15	10	PA66	NATURAL	C

SPECIAL MATERIAL								
1955507-4	4	6	1	20	15	PA66	NATURAL	1
9-1955506-2	2	6	1	10	5	UL 94 V0	NATURAL	1

PART NO	POS.	DIM C	DIM D	DIM A	DIM B	MATERIAL	COLOUR	REV./Rev.
6-1241961-7	3			15	10	PA 6 UL94V-2	NATURAL	1
4-1241961-7	3			15	10	PA 6 UL94V-2	NATURAL	A
3-1241961-7	3	4	0.5	15	10	PA 6 UL94V-2	NATURAL	A
1-1955422-7	3			15	10	PA 66 UNFILLED UL94 V0	NATURAL	A
5-1955422-7	3			15	10	PA 66 UNFILLED UL94 V0	NATURAL	A
4-1955422-3	2	6	1	10	5	PA 66 UNFILLED UL94 V0	NATURAL	A
2-1241817-3	3	4 or 6	0.5 or 1	15	10	PA 66 UL94 V-2	Green	E
0-1955422-6	3			15	10	PA 66 UNFILLED UL94 V0	NATURAL	A
8-1241961-8	3			15	10	PA 6 UL94V-2	natural	C
0-1241961-8	3			15	10	PA 6 UL94V-2	natural	A
8-1241961-3	2	4	0.5	10	5	PA 6 UL94V-2	NATURAL	C
3-1241961-1	2			10	5	PA 6 UL94V-2	NATURAL	C
0-1955422-1	2			10	5	PA 66 UNFILLED UL94 V0	NATURAL	A

SPECIAL VERSION: UL94 V0 & GWT 750NF							
2178571-3	4			20	15	PA 66. UL94 V-0	NATURAL
2178571-1	3	4	1	15	10	PA 66. UL94 V-0	NATURAL
2178571-2	2			10	5	PA 66. UL94 V-0	NATURAL
1-2178571-3	3			15	10	PA 66. UL94 V-0	NATURAL
PART NO	POS	DIM C	DIM D	DIM A	DIM B	MATERIAL	COLOUR Farbe

LOC		DIST		REVISIONS			
P	LTR	DESCRIPTION	DATE	DWN	APVD		
SEE SHEET-01							
0-1241959-5	5		25	10			B
4-1241959-4	4	4	0.5	20	15	PA 6 UL94V-2	Natural/natur
2-1241959-4	4		20	15			A
0-1241959-4	4		20	15			B
2-1241817-5	5	6	1	25	20	PA 6.6 UL94V-2	Natural/natur
0-1241817-5	4	0.5	25	20			C
3-1241817-4	4		20	15			
2-1241817-4	4	6	1	20	15		
0-1241817-4	4	0.5	20	15			
2-1241983-2			10	5			
1-1241983-2			10	5			
0-1241983-2	2	4	0.5	10	5	PA 6 UL94V-2	Green/grün
8-1241983-2			10	5			Violot/violett
5-1241983-3			10	5			TARGET RAL 4001
6-1241983-2			10	5			Yellow/gelb
			10	5			Black/schwarz
			10	5			Blue/blau
			10	5			Red/rot
9-1241961-7		4	0.5	15	10		
9-1241961-8		4	0.5	15	10		
6-1241961-8		4	0.5	15	10		
5-1241961-8		4 or 6	0.5 or 1	15	10		
4-1241961-8		4	0.5	15	10		
7-1241961-8		4	0.5	15	10		
1-1241961-8		4 or 6	0.5 or 1	15	10		
3-1241961-8		6	1	15	10		
2-1241961-8				15	10		
2-1241961-7				15	10		
1-1241961-7		4	0.5	15	10		
9-1241961-9				15	10		
0-1241961-6				15	10		
3-1241961-3				10	5		
2-1241961-2				10	5		
5-1241961-2				10	5		
4-1241961-3				10	5		
7-1241961-2				10	5		
7-1241961-3				10	5		
6-1241961-3				10	5		
3-1241961-2		2	4	0.5	10		
5-1241961-3				10	5		
6-1241961-2				10	5		
0-1241961-3				10	5		
8-1241961-2				10	5		
9-1241961-2				10	5		
0-1241961-1				10	5		
9-969484-9	3	6	1	15	10	PA 6.6 UL94V-2	Yellow/gelb
2-969484-8				15	10		
4-969484-8		4 or 6	0.5 or 1	15	10		
0-969484-8				15	10		
9-969484-7				15	10		
8-969484-7		4	0.5	15	10		
7-969484-7				15	10		
6-969484-7				15	10		
5-969484-7		4	0.5	15	10		
4-969484-7				15	10		
3-969484-7		4	0.5	15	10		
2-969484-7		4	0.5	15	10		
1-969484-7		3	4	0.5	15		
0-969484-7				15	10		
9-969484-6				15	10		
8-969484-6		6	1	15	10		
7-969484-6				15	10		
6-969484-6				15	10		
5-969484-6				15	10		
4-969484-6				15	10		
3-969484-6				15	10		
2-969484-6		6	1	15	10		
1-969484-6				15	10		
0-969484-6				15	10		
9-969484-3				10	5		
6-969484-3				10	5		
5-969484-3		4	0.5	10	5		
4-969484-3				10	5		
3-969484-3				10	5		
2-969484-3				10	5		
1-969484-3				10	5		
0-969484-3				10	5		
9-969484-2				10	5		
8-969484-2				10	5		
7-969484-2				10	5		
6-969484-2		4	0.5	10	5		
5-969484-2				10	5		
4-969484-2				10	5		
3-969484-2				10	5		
2-969484-2				10	5		
1-969484-2				10	5		
0-969484-2				10	5		
9-969484-1				10	5		
8-969484-1		6	1	10	5		
7-969484-1				10	5		
6-969484-1		4	1	10	5		
5-969484-1				10	5		
4-969484-1		6	1	10	5		
3-969484-1				10	5		
2-969484-1				10	5		
1-969484-1		4	0.5	10	5		
0-969484-1				10	5		

THIS DRAWING IS A CONTROLLED DOCUMENT. DWG: Kishor M 18-10-07, CHK: K. Murtz 18-10-07, APVD: T. Klanner 18-10-07

DIMENSIONS: mm. TOLERANCES UNLESS OTHERWISE SPECIFIED: 0 PLC ±0.2, 1 PLC ±0.2, 2 PLC ±0.2, 3 PLC ±0.2, 4 PLC ±0.2, 5 PLC ±0.2, 6 PLC ±0.2, 7 PLC ±0.2, 8 PLC ±0.2, 9 PLC ±0.2, 10 PLC ±0.2, 11 PLC ±0.2, 12 ANGLE ±*°

MATERIAL: SEE TABLES, SHEETS PAGE 2 AND 3 OF 4. FINISH: -

WEIGHT: -

Customer Drawing

STANDARD TIMER HSG. RAST 5 MARK II
Standard Timer Gehäuse RAST 5 Mark II

SIZE: A1. CAGE CODE: 00779. DRAWING NO: 108-18049. RESTRICTED TO: -

SCALE: 5:1. SHEET: 2 OF 4. REV: E

LOC	DIST	REVISIONS			
P	LTR	DESCRIPTION	DATE	DWN	APVD
		SEE SHEET 1			

SPECIAL VERSION: UL94 VO & GWEPT 750°C NF									
2364739-5	5	4	0.5	25	20	PA66 13 17	BLUE	C	
2364739-4	4			20	15		BLUE	C	
1-2364739-3	3			15	10		BLUE	C	
2364739-3				15	10		BLUE	C	
1-2364739-2	2			10	5		BLUE	C	
2364739-2				10	5		BLUE	C	
3-2364739-2	2			10	5		BLUE	C	
2-2364739-2				10	5		BLUE	C	


SPECIAL VERSION: UL94 VO & GWT 750 NF & CTI 350									
5-1241961-7	3	6	1	15	10	PA66 13	NATURAL	A	
1-1241961-9	3			15	10		NATURAL	A	
7-1241961-7	3			15	10		NATURAL	A	

SPECIAL VERSION: UL94 VO & GWT 750 NF									
2322164-1	4	4	0.5	20	15	PA66 13	NATURAL	1	

SPECIAL VERSION: UL94 V2 & GWT 750 NF									
6-2178575-7	3	4	0.5	15	10	PA6 GF15 13	NATURAL	A	

SPECIAL VERSION: UL94 VO & GWT 750 NF									
3-2178412-7	3	6	1	15	10	PA66 13 UL94 VO & GWT 750 NF	NATURAL	1	
4-2178412-7	3			15	10		NATURAL	1	
8-2178412-2	2			10	5		NATURAL	1	

UL94 VO & GWT 750 NF									
2322917-4	4	4	0.5	20	15	PA66 13 UL94 VO & GWT 750 NF	NATURAL	C	
2322917-2	2			10	5		NATURAL	C	
2315717-1	2			10	5		NATURAL	C	
2315717-2	2			10	5		NATURAL	C	
2315717-3	2			10	5		NATURAL	C	
2315717-4	4			20	15		NATURAL	C	
2315717-5	4			20	15		NATURAL	C	
2315717-6	3			15	10		NATURAL	C	
2315717-7	3	15	10	NATURAL	C				
PART NO.	POS	DIM C	DIM D	DIMA	DIM B	MATERIAL	COLOUR	REV.	
		12	12	12	12				

THIS DRAWING IS A CONTROLLED DOCUMENT.		DWN: Kishor M. 18-10-07	 TE Connectivity NAME: STANDARD TIMER HSG. RAST 5 MARK II Standard Timer Gehäuse RAST 5 Mark II PRODUCT SPEC: 108-18049 APPLICATION SPEC:
DIMENSIONS: mm		CHK: K. Munz 18-10-07	
TOLERANCES UNLESS OTHERWISE SPECIFIED:		APVD: Th. Klenner 18-10-07	
0 PLC ±0.2 1 PLC ±0.2 2 PLC ±0.2 3 PLC ±- 4 PLC ±- ANGLES *- FINISH *-		RESTRICTED TO	
MATERIAL SEE TABLES. SHEETS PAGE 2 AND 3 OF 4		WEIGHT: -	SIZE: A1 CAGE CODE: 00779 DRAWING NO: 1241961 SCALE: 5:1 SHEET: 3 OF 4 REV: E

X-ON Electronics

Largest Supplier of Electrical and Electronic Components

Click to view similar products for [Automotive Connectors](#) category:

Click to view products by [TE Connectivity](#) manufacturer:

Other Similar products are found below :

[003-018-000](#) [600858](#) [60403001](#) [60993906-B](#) [60993913-B](#) [629515004020001](#) [M83723/71R1808N L/C](#) [M902-2131](#) [M902-2161](#) [M902-2344](#)
[72.330.1035.1](#) [73.353.4028.0](#) [F118010](#) [F119300-B](#) [F132210](#) [F166900](#) [F180100](#) [F258300](#) [F258300-B](#) [F294300-B](#) [F339100](#) [F339700](#)
[F358300-B](#) [F374110](#) [F407400](#) [F412210](#) [F444110](#) [F487000](#) [F495100](#) [F500900-B](#) [F509500B-B](#) [770444-1](#) [827153-1](#) [881735-1](#)
[8N1515-32-24P](#) [9-1326729-8](#) [925467-1](#) [925474-1](#) [928905-1](#) [936398-2](#) [964562-4](#) [964731-2](#) [968782-1](#) [GT17SA-8DS-HU](#) [GT17VS-10DP-](#)
[5.2CF](#) [98315-0001](#) [98315-0010](#) [98891-1012](#) [98895-2014](#) [98936-1039](#)