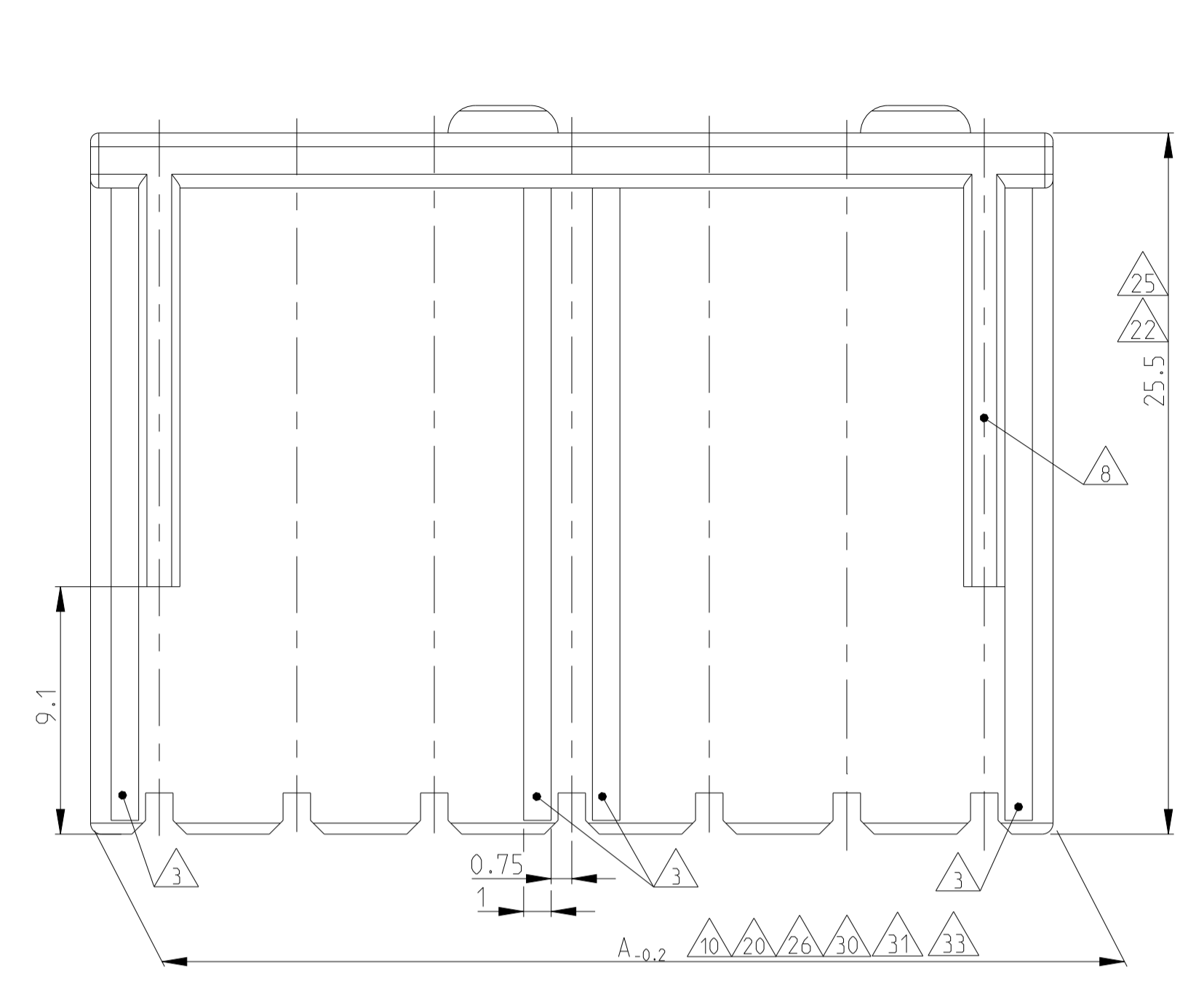
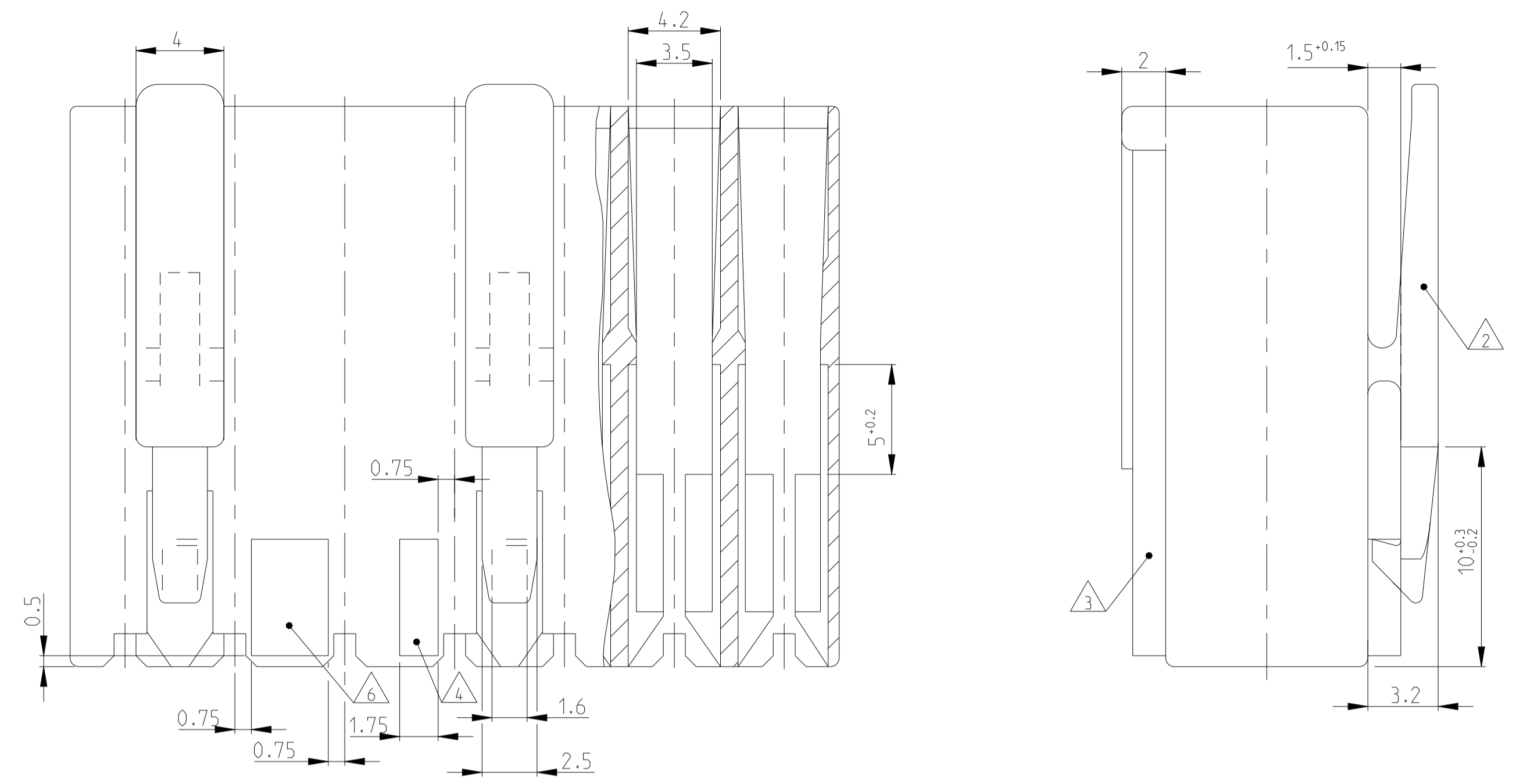
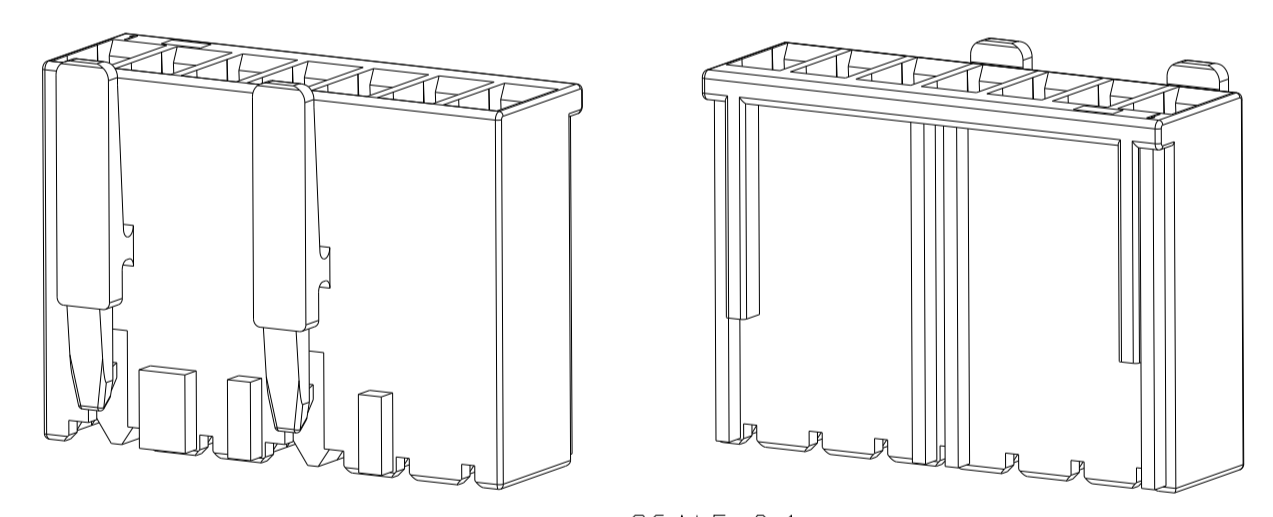
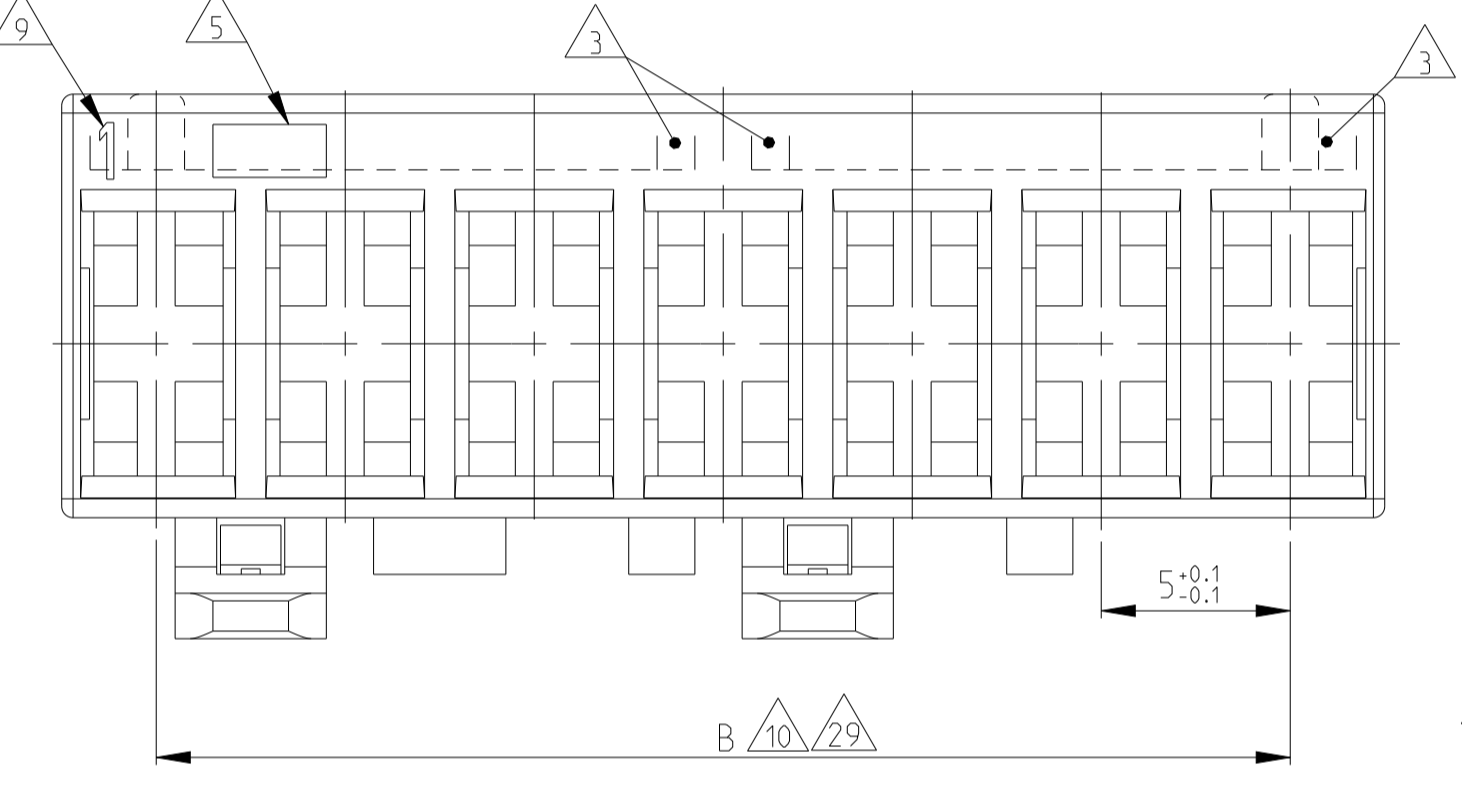
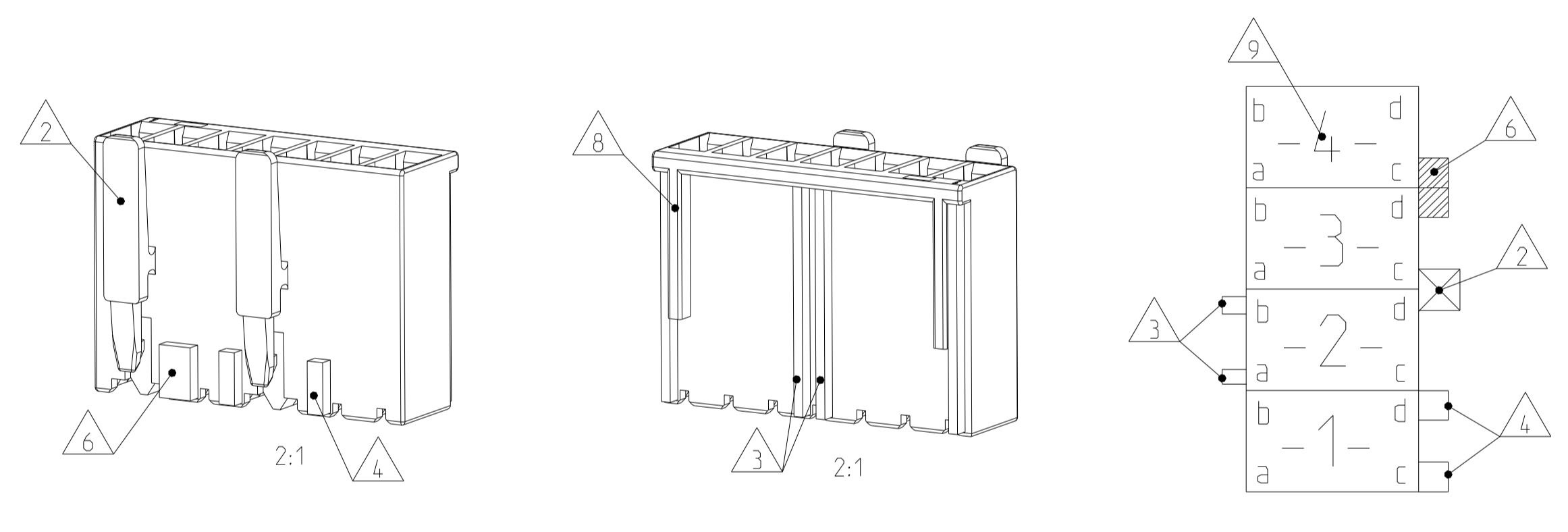


LOC	DIST	REVISIONS					
		P	LTR	DESCRIPTION	DATE	DMN	APVD
B51			ECR-21-100139		12JAN2021	KD	FL
B52			ECR-21-101078		25MAR2021	PJ	FL
B53			ECR-21-101710		15APR2021	PJ	FL
B54			ECR-21-103933		14JUN2021	PJ	FL

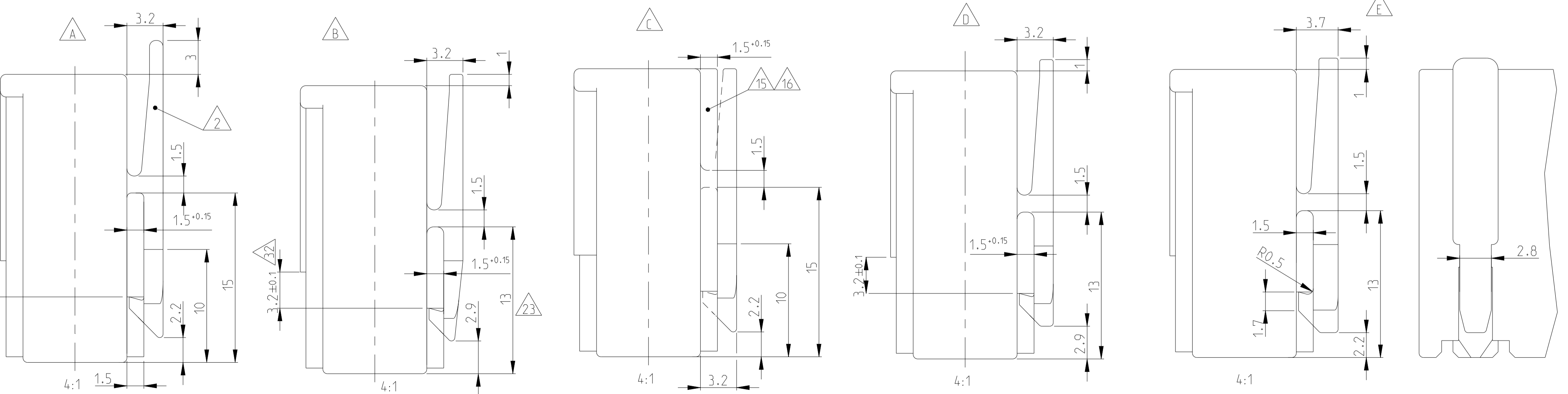


DESCRIPTION
 POSITION OF THE KEYING RIBS, POLARISATION RIBS AND THE LOCKING LATCH



PAY ATTENTION !
 DIFFERENT LOCKING LATCHES

ALL OTHER DIMENSIONS ARE SAME



- 1 CAVITY SUITABLE TO STANDARD TIMER CONTACTS LISTED IN PROD: SPEC: 108-18049, ITEM 3.3.2
Kammer geeignet für Standard Timer Kontakte gelistet in Prod. Spec. 108-18049, Punkt 3.3.2
- 2 LOCKING LATCH BETWEEN CAVITY NO. Rasthaken zwischen Kammernummer
- 3 POLARIZATION RIB POSITION "a" OR POSITION "b", AT CAVITY NO..
Polarisierungsrippen (Lage "a") oder (Lage "b") versetzt bei Kammer Nr
- 4 KEYING RIB POSITION "c" OR POSITION "d", AT CAVITY NO.
Kodierungsrippen nach unten (Lage "c") oder oben (Lage "d") versetzt bei Kammernummer
- 5 AREA FOR TE LOGO ACC. TO SPEC 202-36
Bereich für TE Logo nach Spec. 202-36
- 6 WIDTH KEYING RIB BETWEEN CAVITY NO. Breite Kodierrippe zwischen Kammer Nr.
- 7 SUITABLE FOR TAB 6.3x0.8mm AND 4.8x0.8mm ACCORDING TO DIN 46244
Geeignet für Flachstecker 6.3x0.8mm und 4.8x0.8mm nach DIN 46244
- 8 MATING STOP BETWEEN CAVITY NO.1 AND 2, ALSO BETWEEN THE LAST AND THE LAST BUT ONE CAVITY
Tiefenanschlag zwischen Kammer Nr.1 und 2, ebenfalls zwischen der letzten und vorletzten Kammer
- 9 CONTACT CAVITY NO. Kammernummer
- 10 DIMENSION A AND DIMENSION B SEE SHEET 2 OF 3
Maß A und Maß B siehe Blatt 2 von 3
- 11 MATED WITH TE CONNECTOR: SEE TABLE, SHEET 2 OF 3
Passender TE Gegenstecker: siehe Tabelle, Seite 2 von 3
- 12 GENERAL SUITABLE TAB HEADER HOUSING SEE RAST 5 PERFORMANCE
Generell passende Flachsteckerwanne, siehe RAST 5 Vorgabe
- 13 CONNECTION TO THE PC BOARD SEE DRAWING 88-9935-4
Leiterplattenanschluß siehe Zeichnung 88-9935-4
- A B SEE TABLE, SHEET 2 OF 3
C D E Siehe Tabelle, Blatt 2 von 3
- 14 MATERIAL CORRESPONDS TO THE REQUIREMENT EN 60335 (INCL. GLOW WIRE TEST 750°C WITHOUT FLAME)
- 15 WIRE TANGLING PROTECTION
- 16 WIRE TANGLING PROTECTION IN COMBINATION WITH CODING RIBS, ONLY VALID FOR VERSIONS 5-964702-3, 0-964702-3, 0-964702-1
- 17 KEYING ACC. TO RAST-5 STANDARD; COLOUR IS DIFFERENT
- 18 8 POS. SPECIAL VERSION WITH SWAGED KEYING RIB
- 19 SPECIAL MATERIAL PA66, UL 94 V0
- 20 DIMENSION "A" IS ACCEPTED WITHIN TOLERANCE +0.05/-0.20.
- 21 PRELIMINARY PART- NOT YET RELEASED FOR PRODUCTION
- 22 ONLY FOR PN 2178600-2, 3-2178600-2, 4-2178600-2, 5-2178600-2, TOLERANCE IS +0.4 -0.2, WORST CASE CAN BE OUT OF RAST STANDARD.
- 23 ONLY FOR PN 2178600-2, 3-2178600-2, 4-2178600-2, 5-2178600-2, TOLERANCE IS +0.4 -0.2
- 24 ONLY FOR PN 2178600-2, 3-2178600-2, 4-2178600-2, 5-2178600-2, TOLERANCE IS ±4°
- 25 ONLY FOR PN 3-1241965-5, 3-1241965-7 TOLERANCE IS +0.3 -0.2
- 26 ONLY FOR PN 3-1241965-5, 3-1241965-7 TOLERANCE IS +0.2 -0.2
- 27 ONLY FOR PN 3-1241965-5, 3-1241965-7 TOLERANCE IS +0.05 -0.2
- 28 OBSOLETE PART
- 29 ONLY FOR 4-1241965-7, 1-2364737-1, TOLERANCE IS -0.3
- 30 ONLY FOR 4-1241965-7, TOLERANCE IS +0.2/-0.25
- 31 ONLY FOR 1-2178029-3, TOLERANCE IS +0.15/-0.2

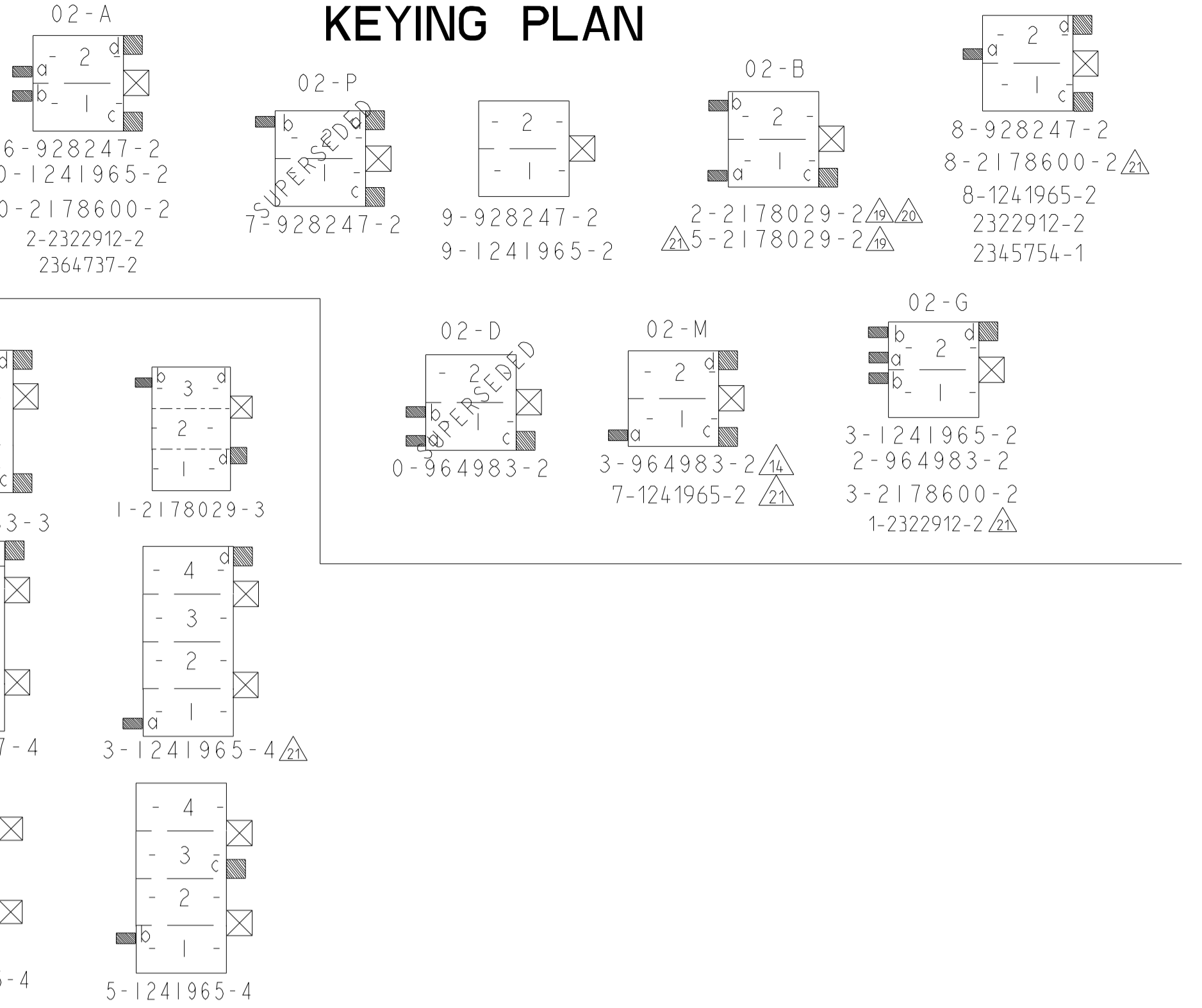
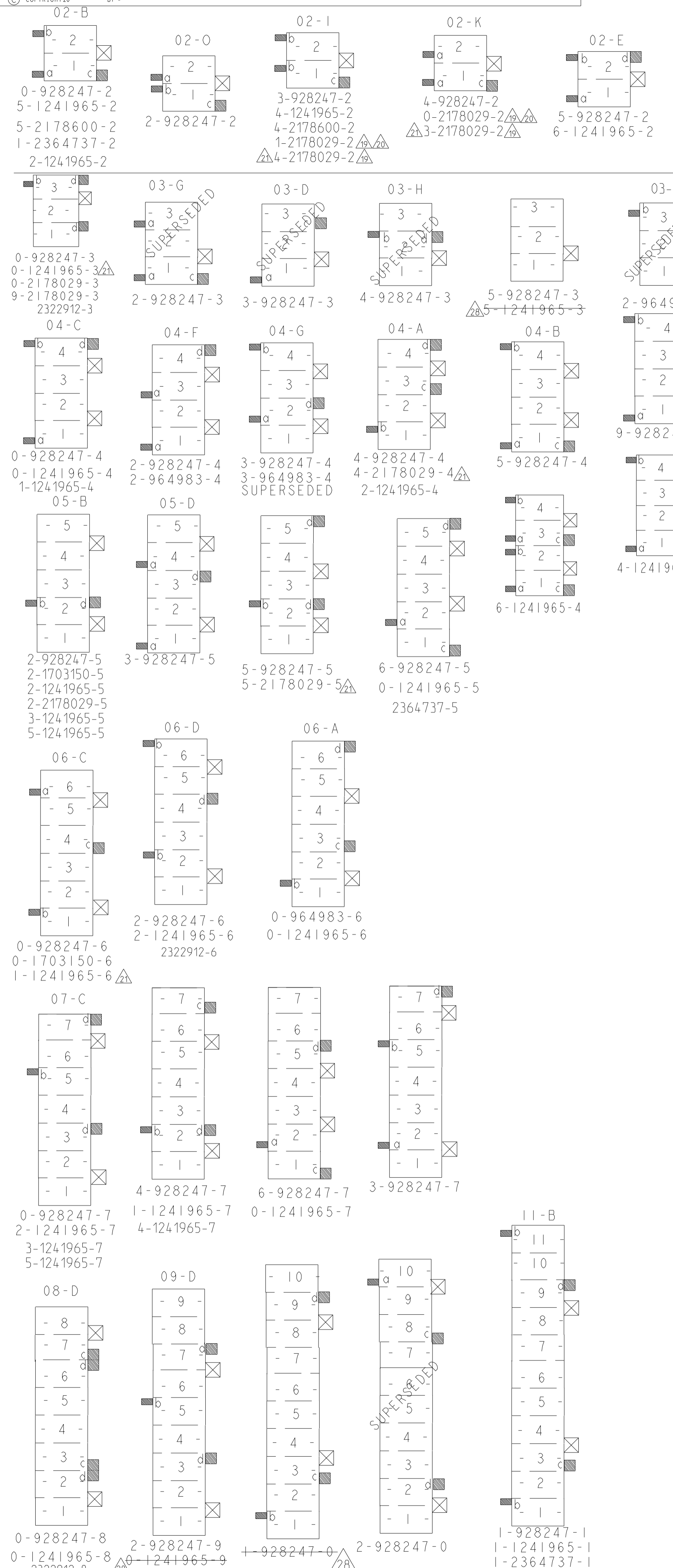
ADDITIONAL NOTES SEE 3 OF SHEET 4

THIS DRAWING IS A CONTROLLED DOCUMENT.

DMN: Kishor M	16JUL2017	TE Connectivity 2-12 POS. STANDARD TIMER HSG WITH EXTERIOR LOCKING	RESTRICTED TO	
CHK: K. Münz	07-NOV-06		NAME	
APVD: Th. Klenner	07-NOV-06		SIZE	
TOLERANCES UNLESS OTHERWISE SPECIFIED:	PRODUCT SPEC		CAGE CODE	DRAWING NO
0-PLC ±0.2	108-18049-1			SCALE 5:1
1-PLC ±0.1	APPLICATION SPEC	WEIGHT	Customer Drawing	
2-PLC ±0.05				
3-PLC ±0.001				
4-PLC ±0.0001				
ANGLES FINISH				
MATERIAL SEE TABLES				

4805 (3/11)

KEYING PLAN

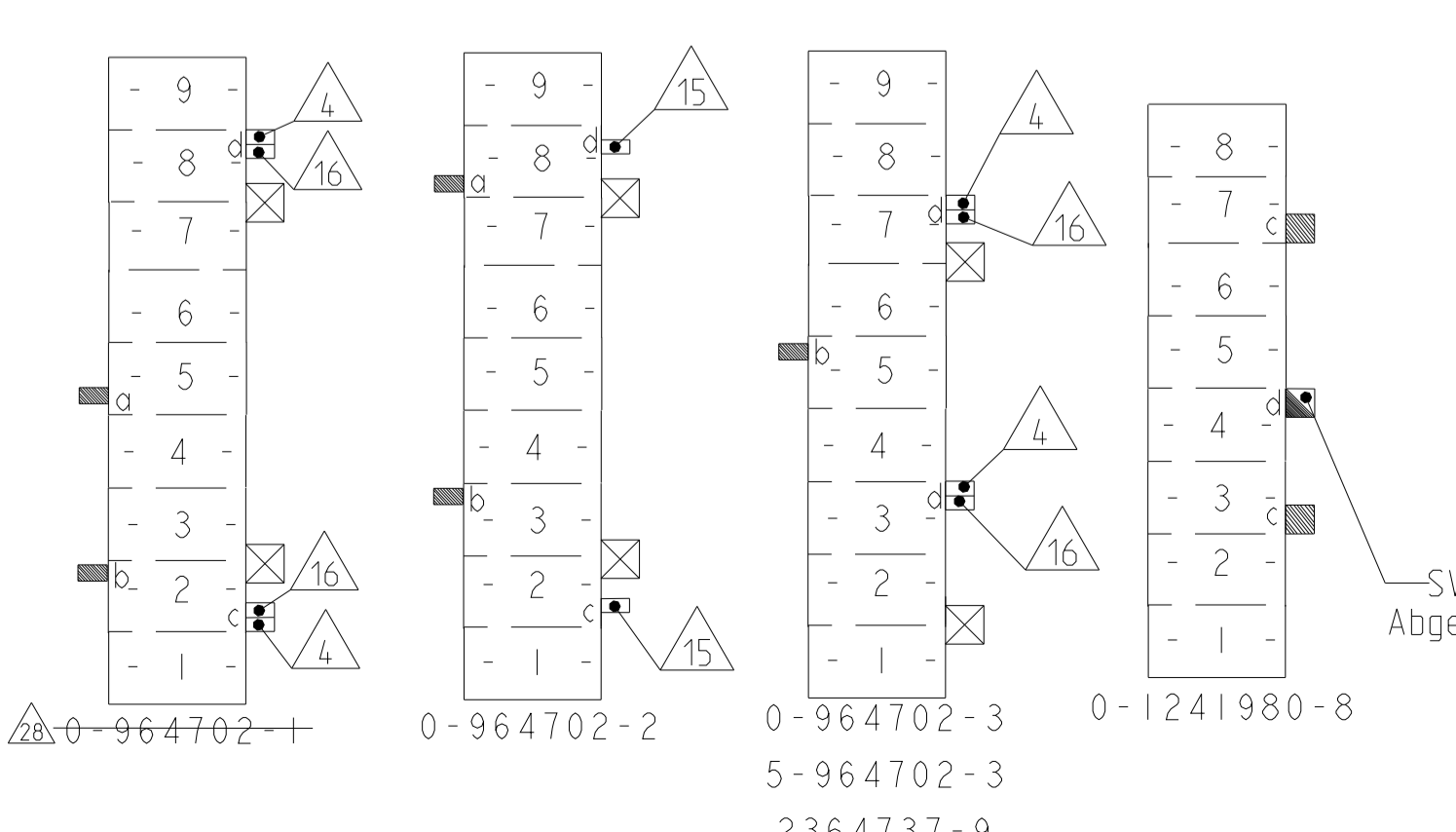


PART NO.	POS.	RAST 5	DIM A	DIM B	COLOUR	MATERIAL	LOCKING LATCH	MATED WITH
Bestell-Nr.	Pol.	Rast 5	Maß A	Maß B	Farbe		Rasthaken	Gegenstecker
3-1241965-7	7	07-C	35	30	NATURAL	PA6 GF15 UL94V-2	D	⚠️
3-1241965-5	5	05-B	25	20	NATURAL		D	⚠️
8-2178600-2	2	02-C	10	5	NATURAL	PA6 GF15 UL94V-2	B	⚠️
5-2178600-2	2	02-B	10	5	BLACK		B	⚠️
4-2178600-2	2	02-I	10	5	RED		B	⚠️
3-2178600-2	2	02-G	10	5	BLUE		B	⚠️
0-2178600-2	2	02-A	10	5	NATURAL		B	⚠️
2-1241965-7	7	07-C	35	30	NATURAL	PA6 UL94V-2	B	⚠️
1-1241965-6	6	06-C	30	25	NATURAL		B	⚠️
0-1241965-6	6	06-A	30	25	NATURAL		B	⚠️
3-1241965-3	3	-	15	10	NATURAL		A	⚠️
0-1241965-3	3	-	15	10	NATURAL		B	⚠️
6-1241965-2	2	02-E	10	5	NATURAL		B	⚠️

5-2178029-5	5	-	25	20	GREEN		B	⚠️
2-2178029-5	5	-	25	20	BLACK		B	⚠️
4-2178029-4	4	-	20	15	NATURAL		B	⚠️
9-2178029-3	3	-	15	10	YELLOW		B	⚠️
1-2178029-3	3	-	15	10	NATURAL		B	⚠️
0-2178029-3	3	-	15	10	NATURAL		B	⚠️
5-2178029-2	2	02-B	10	5	NATURAL	PA66 UL94V-0	B	⚠️
4-2178029-2	2	02-I	10	5	NATURAL		B	⚠️
3-2178029-2	2	02-K	10	5	NATURAL		B	⚠️
2-2178029-2	2	02-B	10	5	BLACK		B	⚠️
1-2178029-2	2	02-I	10	5	RED		B	⚠️
0-2178029-2	2	02-K	10	5	GREEN		B	⚠️

PART NO.	POS.	RAST 5	DIM A	DIM B	COLOUR	MATERIAL	LOCKING LATCH	MATED WITH
Bestell-Nr.	Pol.	Rast 5	Maß A	Maß B	Farbe		Rasthaken	Gegenstecker

SPECIAL VERSIONS SEE SHEET 3 OF 3



LOC	DIST	P	LTH	DESCRIPTION	DATE	OWN	APVD
A1	-	-	-	SEE SHEET 1	-	-	-

RAST 5	DIM A	DIM B	COLOUR	MATERIAL	LOCKING LATCH	MATED WITH		
Rast 5	Maß A	Maß B	Farbe		Rasthaken	Gegenstecker		
7-1241965-2	2	02-M	10	5	NATURE	UL94 V-0	B	⚠️
0-1241980-8	8	-	40	35	NATURE/natur	UL94V-0	-	⚠️
5-964702-3	-	-	-	-	NATURE/natur			
0-964702-3	-	-	45	40	NATURE/natur	UL94V-2	C	
0-964702-2	9	-	-	-	BLACK/schwarz			
2-964702-1	-	-	-	-	NATURE/natur			
0-964983-6	6	06-A	17	30	WHITE/weiß			
3-1241817-4	4	04-G	17	20	GREY/grau			
2-964983-4	4	04-F	17	20	ORANGE/orange			
2-1241817-3	3	03-K	15	10	GREEN/grün	UL94V-2	B	⚠️
2-964983-2	2	02-M	17	10	VIOLET/violett (lila)			
2-964983-2	2	02-G	17	10	BLUE/blau			
0-964983-2	2	02-D	17	10	BLACK/schwarz			
1-1241965-1	11	11-B	17	55	NATURE/natur			
0-1241965-9	9	09-D	17	45	NATURE/natur			
0-1241965-8	8	08-D	17	40	NATURE/natur			
1-1241965-7	7	-	35	30	NATURE/natur			
0-1241965-7	7	-	35	30	NATURE/natur			
2-1241965-6	6	06-D	17	30	NATURE/natur	UL94V-2	B	⚠️
2-1241965-5	5	05-B	25	20	NATURE/natur			
0-1241965-5	5	-	25	20	NATURE/natur			
6-1241965-4	4	-	20	15	NATURAL			
0-1241965-4	4	04-C	20	15	NATURE/natur	UL94V-2	B	⚠️
9-1241965-2	2	-	10	5	NATURE/natur			
5-1241965-2	2	02-B	10	5	BLACK/schwarz			
4-1241965-2	2	02-I	17	10	RED/rot			
3-1241965-2	2	02-G	17	10	BLUE/blau			
0-1241965-2	2	02-A	10	5	NATURE/natur			
1-928247-1	11	11-B	17	55	YELLOW/gelb			
2-928247-0	10	-	50	45	GREY/grau			
2-928247-0	10	-	50	45	BROWN/braun	UL94V-2	B	964703-3 ⚠️
2-928247-9	9	09-D	17	45	40	BLUE/blau		
0-928247-8	8	08-D	17	40	35	BLUE/blau		
6-928247-7	7	-	35	30	GREEN/grün			
4-928247-7	7	-	35	30	NATURE/natur	UL94V-0	A	⚠️
3-928247-7	7	-	35	30	NATURE/natur			
0-928247-7	7	07-C	35	30	GREY/grau			
2-928247-6	6	06-D	30	25	BLUE/blau			
0-1703150-6	6	06-C	30	25	GREY/grau	UL94V-2	A	⚠️
0-928247-6	6	06-C	30	25	GREY/grau			
6-928247-5	5	-	25	20	NATURE/natur			
5-928247-5	5	-	25	20	GREEN/grün			
3-928247-5	5	05-D	25	20	BLUE/blau			
2-1703150-5	5	05-B	25	20	BLACK/schwarz			
2-928247-5	5	05-B	25	20	BLACK/schwarz			
9-928247-4	4	-	20	15	NATURE/natur	UL94V-0	A	⚠️
5-928247-4	4	04-B	20	15	BLACK/schwarz			
4-928247-4	4	04-A	20	15	NATURE/natur			
3-928247-4	4	04-G	20	15	VIOLET/violett (lila)			
2-928247-4	4	04-F	20	15	WHITE/weiß			
0-928247-4	4	04-C	20	15	GREY/grau			
5-928247-3	3	-	15	10	NATURE/natur			
4-928247-3	3	03-H	15	10	BROWN/braun			
3-928247-3	3	03-D	15	10	BLUE/blau			
2-928247-3	3	03-G	15	10	VIOLET/violett (lila)	UL94V-2	A	⚠️
0-928247-3	3	-	15	10	YELLOW/gelb			
9-928247-2	2	-	10	5	NATURE/natur			
8-928247-2	2	02-C	10	5	GREY/grau			
0-969484-3	7	02-P	10	5	PURPLERED/purpurrot			
6-928247-2	2	02-A	10	5	NATURE/natur			
5-928247-2	2	02-E	10	5	GREEN/grün			
4-928247-2	2	02-K	10	5	YELLOW GREEN/gelbgrün			
3-928247-2	2	02-I	10	5	ORANGE/orange			
2-928247-2	2	02-O	10	5	PINK/rosa			
0-928247-2	2	02-B	10	5	BLACK/schwarz			

THIS DRAWING IS A CONTROLLED DOCUMENT.

DIMENSIONS: mm

TOLERANCES UNLESS OTHERWISE SPECIFIED: ±0.2

DRAWING NO: A1

DATE: 18 JUL 2017

TE Connectivity

2-12 POS. STANDARD TIMER HSG WITH EXTERIOR LOCKING

Customer Drawing

SCALE: 5:1

SHEET 2 OF 4

REV B54


LOC	DIST	REVISIONS					
		P	LTN	DESCRIPTION	DATE	DWN	APVD
A1	-			SEE SHEET 1			

- △32 ONLY FOR 2322912-3. TOLERANCE IS +0.1/-0.15
- △33 ONLY FOR 2322912-6, 1-2364737-1. TOLERANCE IS -0.30
- △34 CANDIDATE PRELIMINARY P/N. NOT YET OFFICIAL. ONLY FOR DISCUSSION. NOT YET RELEASED FOR PRODUCTION.
- △35 DOUBLE SOURCE RESIN: ALTERNATIVE RESIN UNDER APPROVAL.

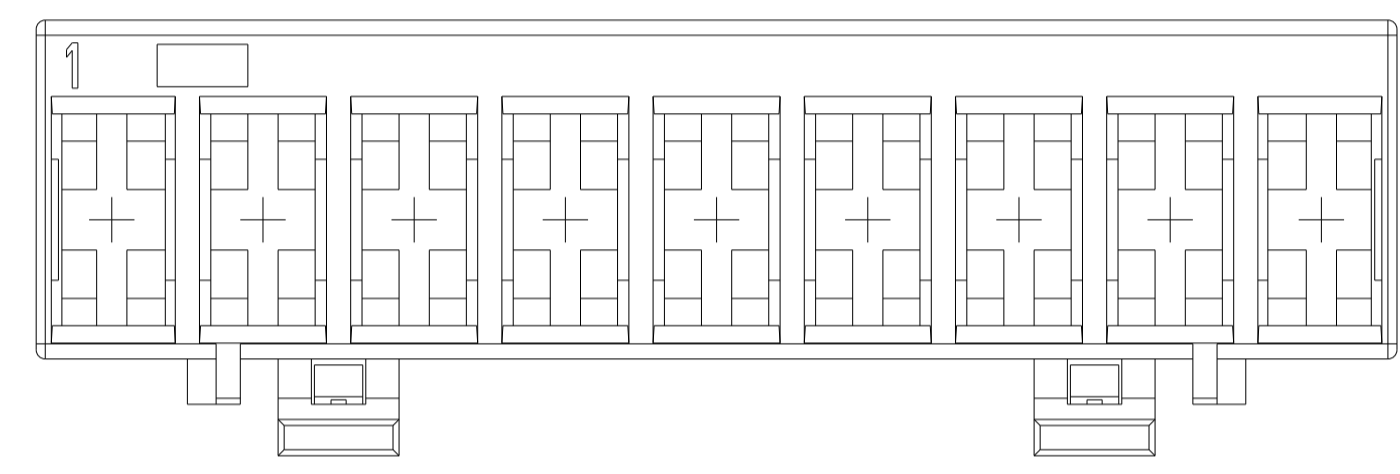
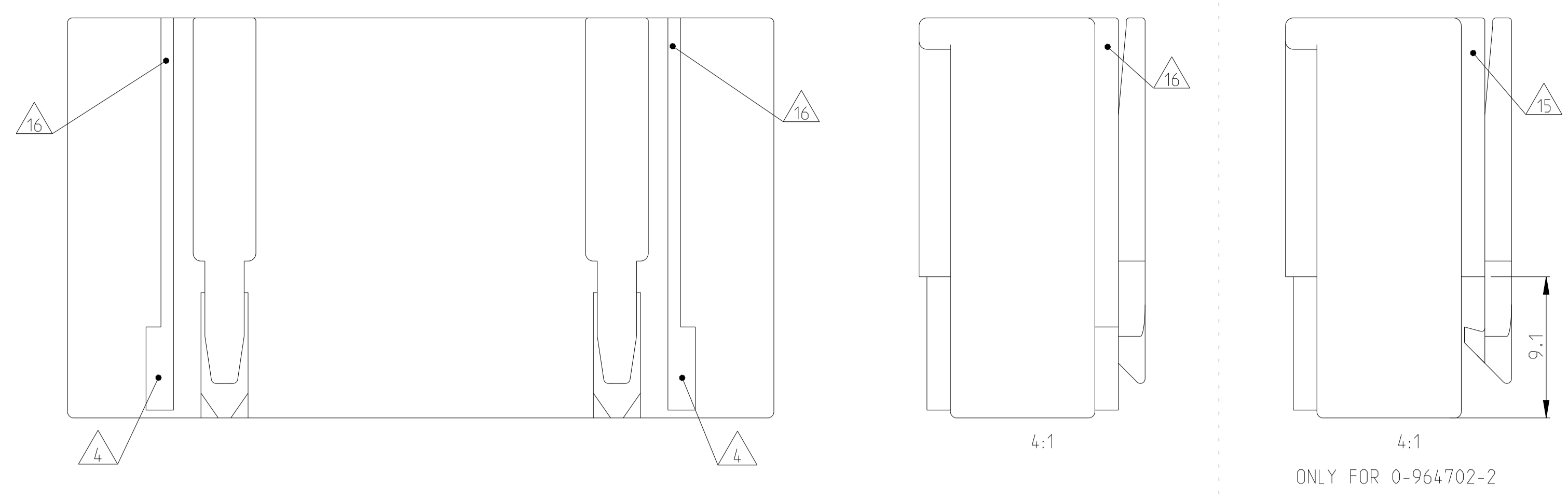
	5-1241965-5	5	05-B	25	20	NATURAL	UL94-V0 & GW EPT 750 no flame △△	E	△△
△△	1-2364737-1	11	11-B	55	50	BLUE		B	△△
	2364737-9	9	-	45	40	BLUE	UL94-V0 & GW EPT 750 no flame △△	C	△△
	2364737-5	5	-	25	20	BLUE		B	△△
	1-2364737-2	2	02-B	10	5	BLUE		B	△△
	2364737-2	2	02-A	10	5	BLUE		B	△△
	2322912-8	8	08-D	40	35	BLUE		B	△△
	2322912-6	6	06-D	30	25	BLUE		B	△△
	2322912-3	3	-	15	10	YELLOW	PA66 UL94 V0 GW T 750	B	△△
	2-2322912-2	2	02-A	10	5	NATURE		B	△△
△	1-2322912-2	2	02-G	10	5	BLUE		B	△△
	2322912-2	2	02-C	10	5	GREY		B	△△
	5-1241965-7	7	07-C	35	30	NATURAL		E	△△
	4-1241965-7	7	-	35	30	NATURAL		E	△△
△	5-1241965-5	5	05-B	25	20	NATURAL		E	△△
	5-1241965-4	4	-	20	15	NATURAL	PA66 UL94 V0 GW T 750 CT1350	E	△△
	4-1241965-4	4	-	20	15	NATURAL		E	△△
△	3-1241965-4	4	-	20	15	NATURAL		E	△△
	2-1241965-4	4	-	20	15	NATURAL		E	△△
	1-1241965-4	4	04-C	20	15	NATURAL		E	△△
	8-1241965-2	2	02-C	10	5	NATURAL		E	△△
	2-1241965-2	2	-	10	5	NATURAL		E	△△
	PART NO.	POS.	RAST 5	DIM A	DIM B	COLOUR	MATERIAL	LOCKING LATCH	MATED WITH
SPECIAL VERSION: UL94 V0 & GW T 750									

2345754-1	2	02-C	10	5	NATURAL	PA66 UL94 V0	E	△△
PART NO.	POS.	RAST 5	DIM A	DIM B	COLOUR	MATERIAL	LOCKING LATCH	MATED WITH
SPECIAL VERSION: UL94 V0								

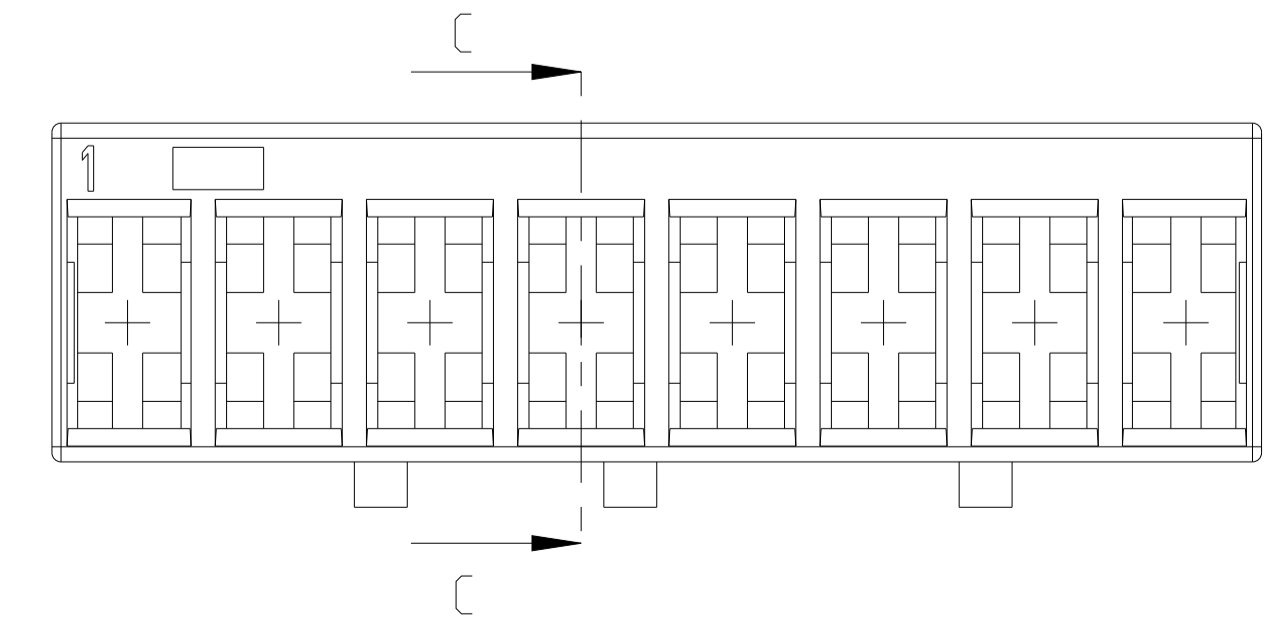
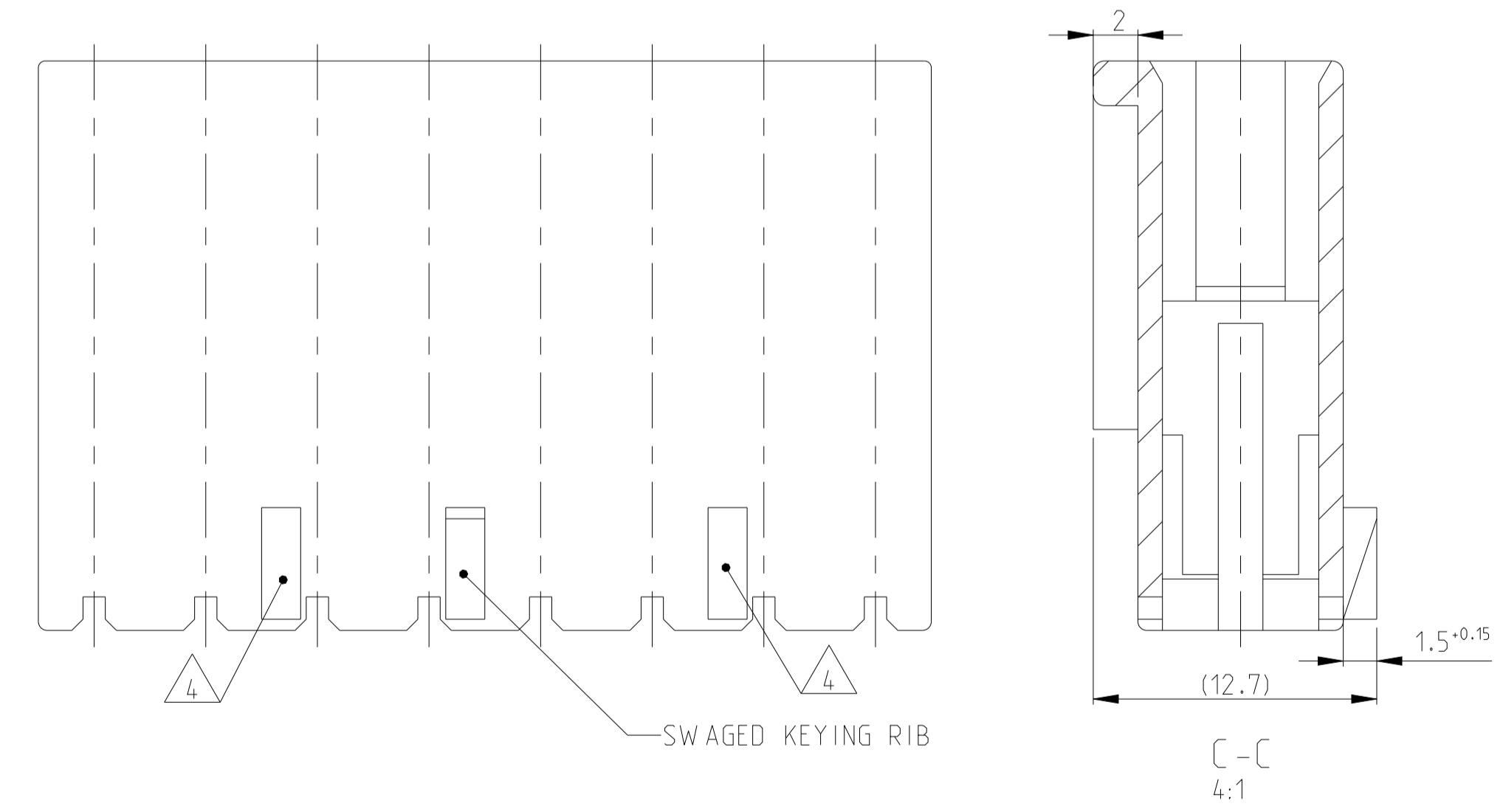
KEYING PLAN SEE SHEET 2 OF 4

THIS DRAWING IS A CONTROLLED DOCUMENT.		OWN Kishor M	18JUL2017		TE Connectivity
DIMENSIONS: mm		CHK K. Munz	07-NOV-06		NAME
TOLERANCES UNLESS OTHERWISE SPECIFIED:		APVD Th. Klenner	07-NOV-06	PRODUCT SPEC	
0 PLC ±0.1				108-18049	
1 PLC ±0.01				APPLICATION SPEC	
2 PLC ±0.001					
3 PLC ±0.0001					
4 PLC ±0.0001					
ANGLES FINISH					
MATERIAL SEE TABLES		WEIGHT		RESTRICTED TO	
		-		-	
		Customer Drawing		SCALE 5:1 SHEET 3 OF 4	

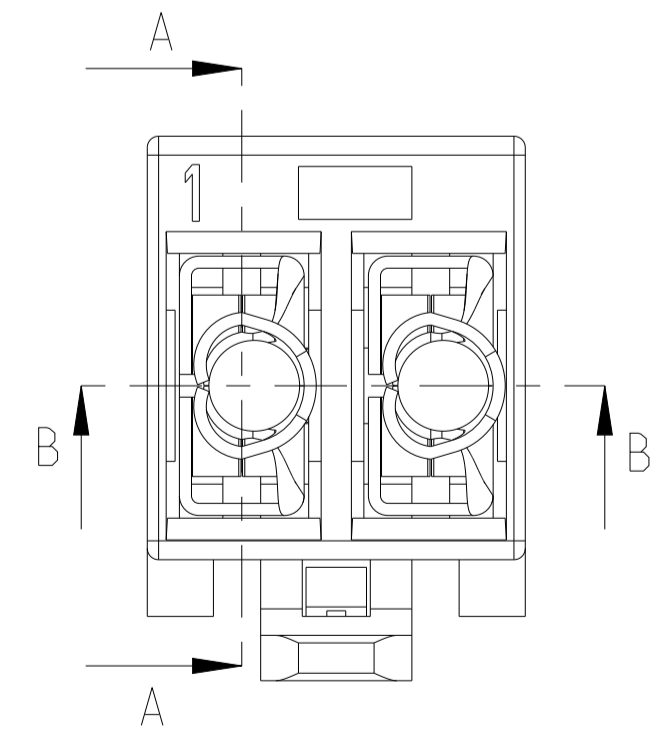
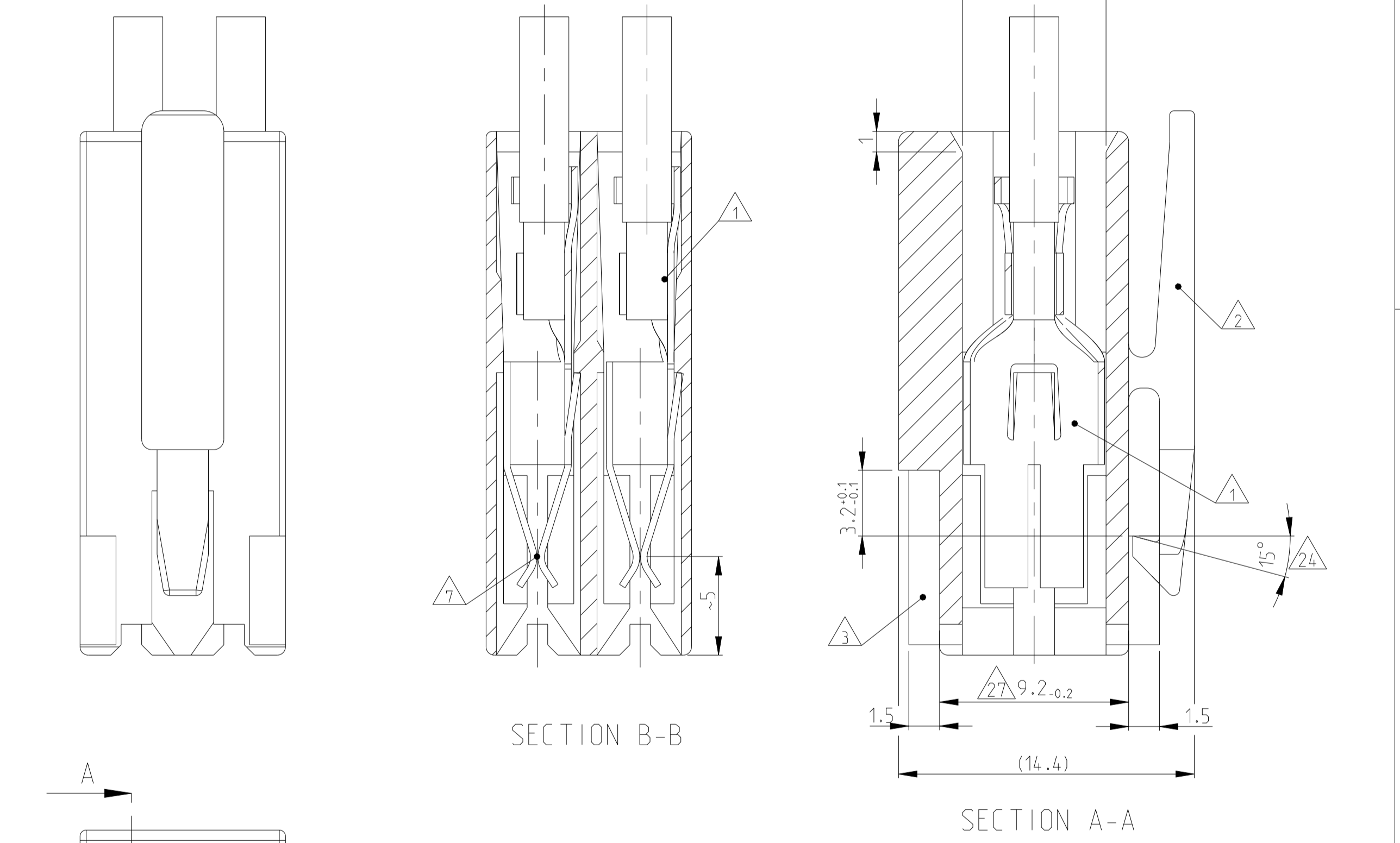
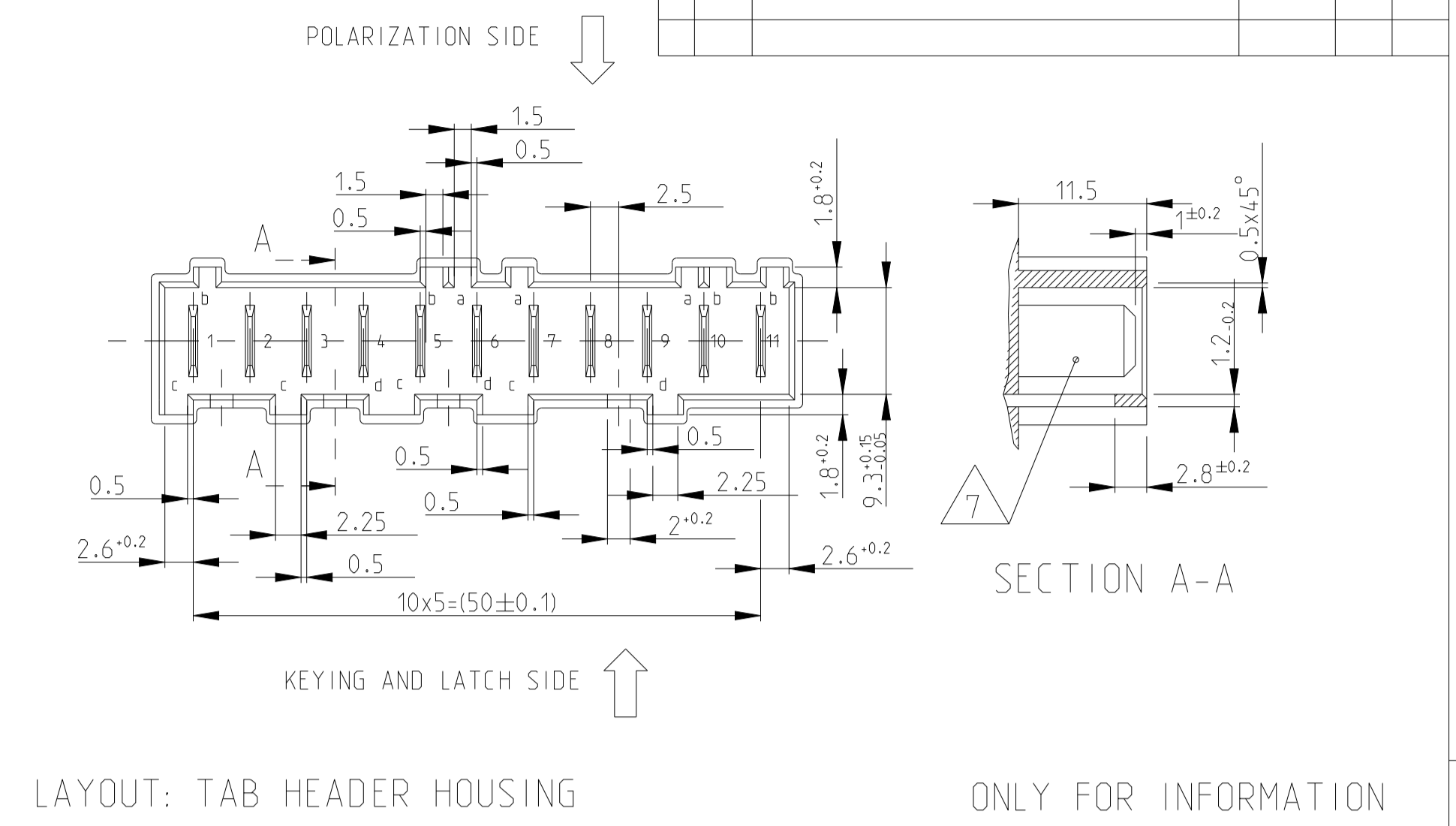
SPECIAL VERSIONS $\triangle 15$ $\triangle 16$
 9 POS STD. TIMER HSG. WITH TANGLING PROTECTION



SPECIAL VERSION $\triangle 18$
 8 POS SPECIAL STD. TIMER HSG.



LOC	DIST	REVISIONS			
P	LTN	DESCRIPTION	DATE	DMN	APVD
-	-	SEE SHEET 1	-	-	-



THIS DRAWING IS A CONTROLLED DOCUMENT. **TE** TE Connectivity

DIMENSIONS: mm 	TOLERANCES UNLESS OTHERWISE SPECIFIED: 0-PLC ±0.2 1-PLC ±0.1 2-PLC ±0.05 3-PLC ±0.001 4-PLC ±0.0001 ANGLES FINISH ±	DWN: Kishor M 16JUL2017 CHK: K. Munz 07-NOV-06 APVD: Th. Klenner 07-NOV-06 PRODUCT SPEC: 108-18049 APPLICATION SPEC:	NAME: 2-12 POS. STANDARD TIMER HSG WITH EXTERIOR LOCKING SIZE: A1 CAGE CODE: 00779 DRAWING NO: 1241965 SCALE: 5:1 SHEET: 4 OF 4 REV: B54
MATERIAL: SEE TABLES	WEIGHT: -	Customer Drawing	RESTRICTED TO: -

X-ON Electronics

Largest Supplier of Electrical and Electronic Components

Click to view similar products for [Automotive Connectors](#) category:

Click to view products by [TE Connectivity](#) manufacturer:

Other Similar products are found below :

[003-018-000](#) [60403001](#) [60993906-B](#) [M902-2131](#) [M902-2161](#) [M902-2344](#) [72.330.1035.1](#) [73.353.4028.0](#) [F119300-B](#) [F166900](#) [F258300-B](#)
[F358300-B](#) [F407400](#) [F444110](#) [F487000](#) [F509500B-B](#) [827153-1](#) [8N1515-32-24P](#) [9-1326729-8](#) [925474-1](#) [928905-1](#) [964562-4](#) [968782-1](#)
[GT17SA-8DS-HU](#) [98891-1012](#) [98947-1016](#) [12004147](#) [12004475-L](#) [12010290](#) [12010309-B](#) [12015454](#) [12020219-B](#) [12041318-B](#) [12052225-](#)
[L](#) [12052466](#) [12064869](#) [12004327-B](#) [12015308](#) [12015384](#) [12015909](#) [1-21030-1](#) [12041254](#) [12041318](#) [12047946-B](#) [12047957](#) [12047957-L](#)
[12059473](#) [12066261](#) [12110546](#) [12110546-B](#)