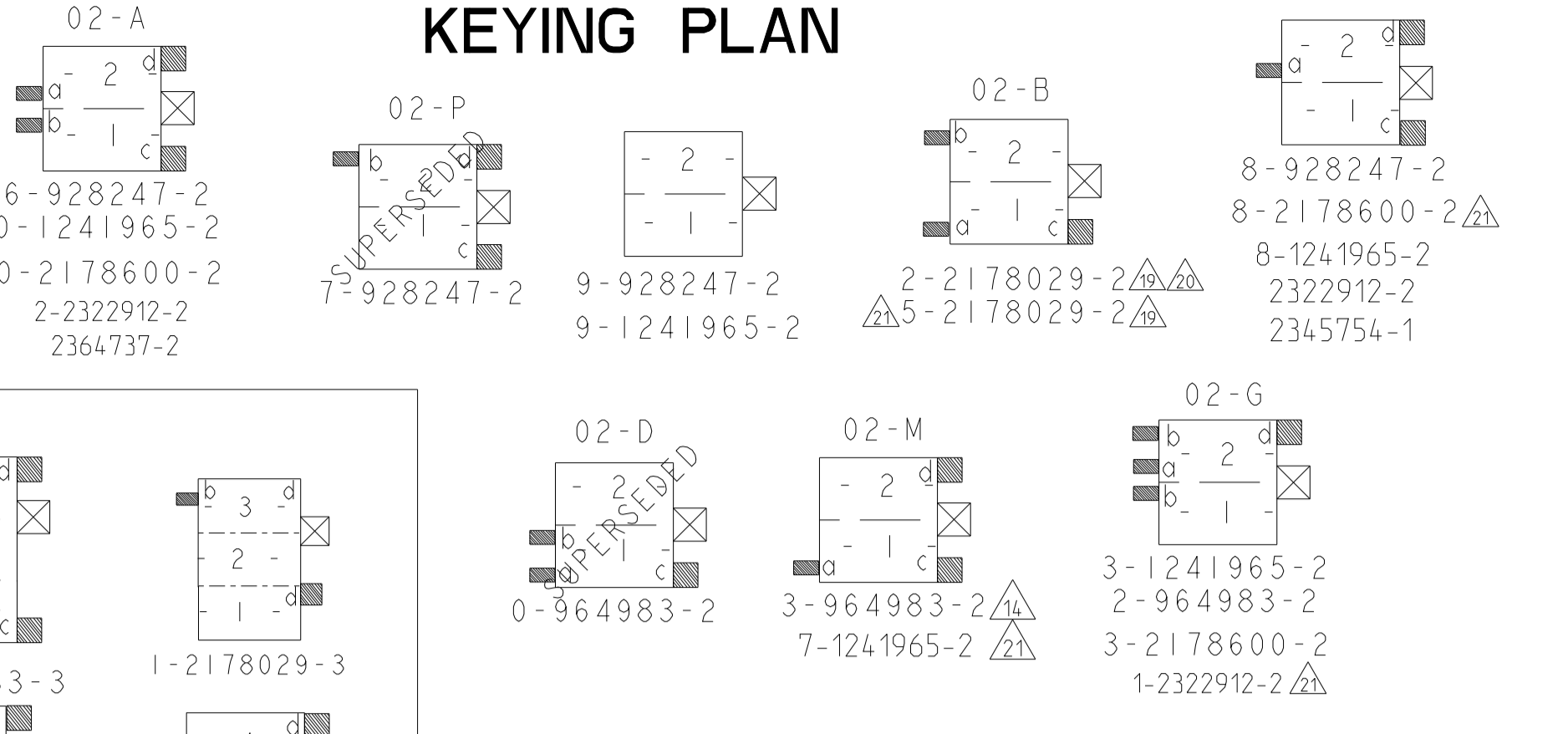
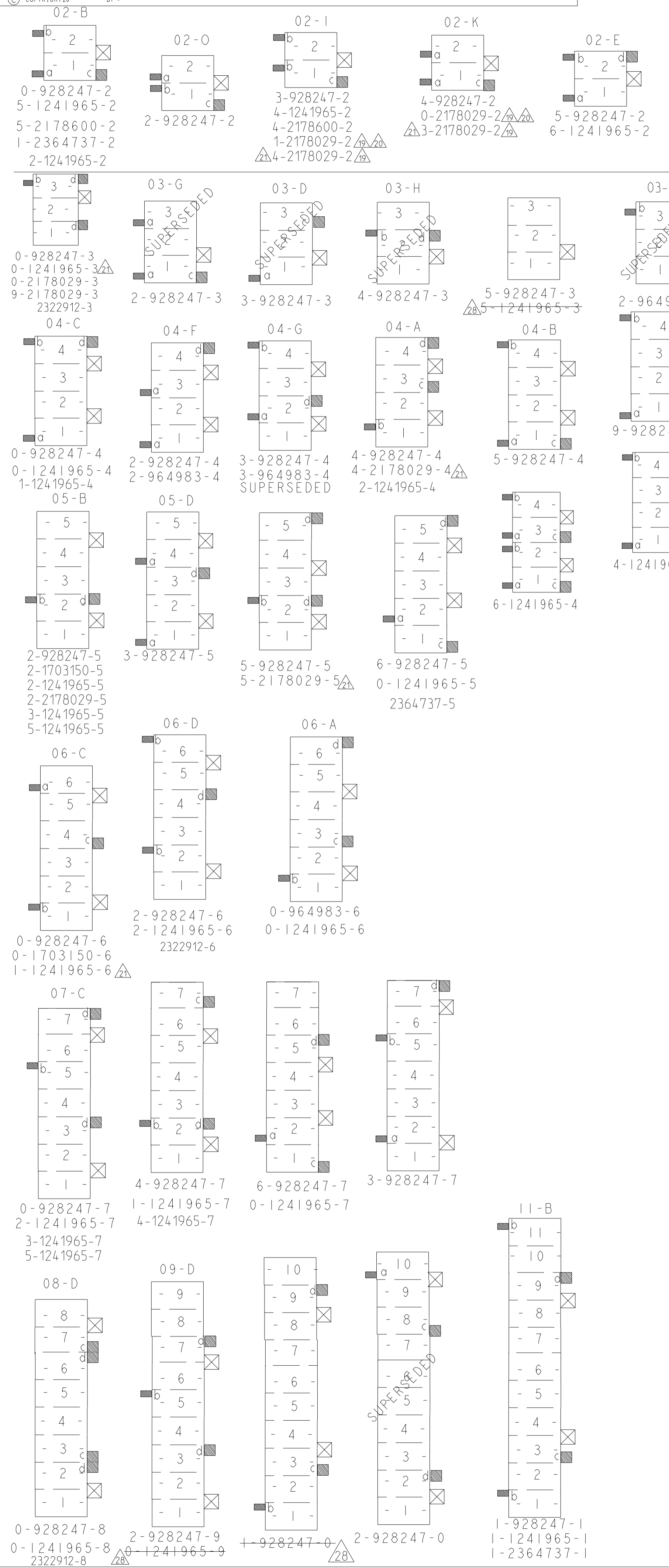


KEYING PLAN

LOC	DIST	REV	DATE	BY	APPV
A1	-	1	-	-	-

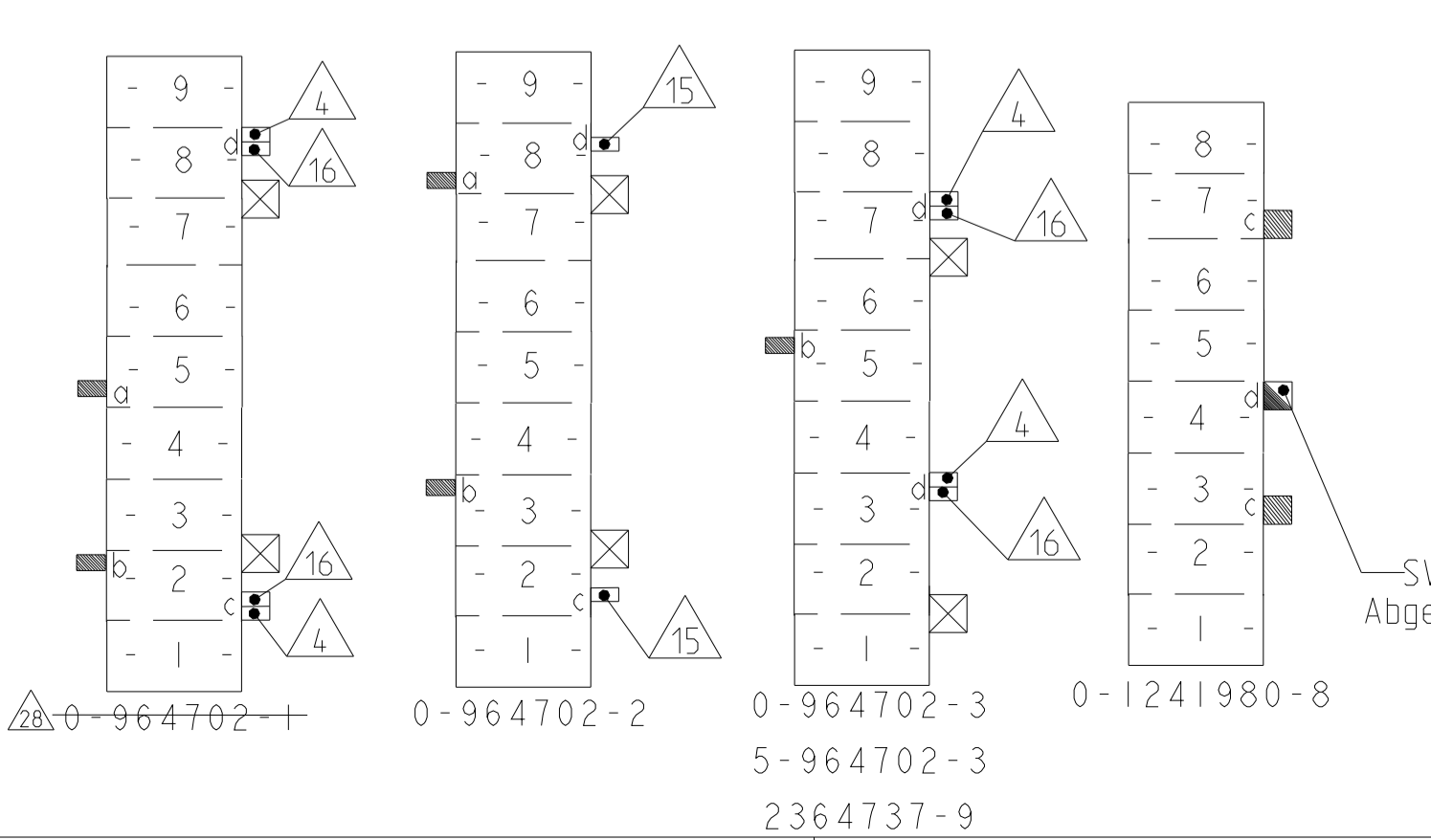


PART NO.	POS.	RAST 5	DIM A	DIM B	COLOUR	MATERIAL	LOCKING LATCH	MATED WITH
Bestell-Nr.	Pol.	Rast 5	Maß A	Maß B	Farbe		Rasthaken	Gegenstecker
3-1241965-7	7	07-C	35	30	NATURAL	PA6 GF15 UL94V-2	D	12/13
3-1241965-5	5	05-B	25	20	NATURAL	UL94V-2	D	12/13
8-2178600-2	2	02-C	10	5	NATURAL	PA6 GF15 UL94V-2	B	12/13
5-2178600-2	2	02-B	10	5	BLACK	UL94V-2	B	12/13
4-2178600-2	2	02-I	10	5	RED	UL94V-2	B	12/13
3-2178600-2	2	02-G	10	5	BLUE	UL94V-2	B	12/13
0-2178600-2	2	02-A	10	5	NATURAL	UL94V-2	B	12/13
2-1241965-7	7	07-C	35	30	NATURAL	PA6 UL94V-2	B	12/13
1-1241965-6	6	06-C	30	25	NATURAL	UL94V-2	B	12/13
0-1241965-6	6	06-A	30	25	NATURAL	UL94V-2	B	12/13
5-1241965-3	3	-	15	10	NATURAL	UL94V-2	A	12/13
0-1241965-3	3	-	15	10	NATURAL	UL94V-2	B	12/13
6-1241965-2	2	02-E	10	5	NATURAL	UL94V-2	B	12/13

5-2178029-5	5	-	25	20	GREEN	UL94V-2	B	12/13
2-2178029-5	5	-	25	20	BLACK	UL94V-2	B	12/13
4-2178029-4	4	-	20	15	NATURAL	UL94V-2	B	12/13
9-2178029-3	3	-	15	10	YELLOW	UL94V-2	B	12/13
1-2178029-3	3	-	15	10	NATURAL	UL94V-2	B	12/13
0-2178029-3	3	-	15	10	NATURAL	UL94V-2	B	12/13
5-2178029-2	2	02-B	10	5	NATURAL	UL94V-0	B	12/13
4-2178029-2	2	02-I	10	5	NATURAL	UL94V-0	B	12/13
3-2178029-2	2	02-K	10	5	NATURAL	UL94V-0	B	12/13
2-2178029-2	2	02-B	10	5	BLACK	UL94V-0	B	12/13
1-2178029-2	2	02-I	10	5	RED	UL94V-0	B	12/13
0-2178029-2	2	02-K	10	5	GREEN	UL94V-0	B	12/13

PART NO.	POS.	RAST 5	DIM A	DIM B	COLOUR	MATERIAL	LOCKING LATCH	MATED WITH
Bestell-Nr.	Pol.	Rast 5	Maß A	Maß B	Farbe		Rasthaken	Gegenstecker

SPECIAL VERSIONS SEE SHEET 3 OF 3



LOC	DIST	REV	DATE	BY	APPV
A1	-	1	-	-	-

REV	DATE	DESCRIPTION	DATE	BY	APPV
1	-	SEE SHEET 1	-	-	-

REV	DATE	DESCRIPTION	DATE	BY	APPV
1	-	SEE SHEET 1	-	-	-

REV	DATE	DESCRIPTION	DATE	BY	APPV
1	-	SEE SHEET 1	-	-	-

REV	DATE	DESCRIPTION	DATE	BY	APPV
1	-	SEE SHEET 1	-	-	-

REV	DATE	DESCRIPTION	DATE	BY	APPV
1	-	SEE SHEET 1	-	-	-

REV	DATE	DESCRIPTION	DATE	BY	APPV
1	-	SEE SHEET 1	-	-	-

REV	DATE	DESCRIPTION	DATE	BY	APPV
1	-	SEE SHEET 1	-	-	-

REV	DATE	DESCRIPTION	DATE	BY	APPV
1	-	SEE SHEET 1	-	-	-

REV	DATE	DESCRIPTION	DATE	BY	APPV
1	-	SEE SHEET 1	-	-	-

REV	DATE	DESCRIPTION	DATE	BY	APPV
1	-	SEE SHEET 1	-	-	-

REV	DATE	DESCRIPTION	DATE	BY	APPV
1	-	SEE SHEET 1	-	-	-

REV	DATE	DESCRIPTION	DATE	BY	APPV
1	-	SEE SHEET 1	-	-	-

REV	DATE	DESCRIPTION	DATE	BY	APPV
1	-	SEE SHEET 1	-	-	-

REV	DATE	DESCRIPTION	DATE	BY	APPV
1	-	SEE SHEET 1	-	-	-

REV	DATE	DESCRIPTION	DATE	BY	APPV
1	-	SEE SHEET 1	-	-	-

REV	DATE	DESCRIPTION	DATE	BY	APPV
1	-	SEE SHEET 1	-	-	-

REV	DATE	DESCRIPTION	DATE	BY	APPV
1	-	SEE SHEET 1	-	-	-

REV	DATE	DESCRIPTION	DATE	BY	APPV
1	-	SEE SHEET 1	-	-	-

REV	DATE	DESCRIPTION	DATE	BY	APPV
1	-	SEE SHEET 1	-	-	-

REV	DATE	DESCRIPTION	DATE	BY	APPV
1	-	SEE SHEET 1	-	-	-

REV	DATE	DESCRIPTION	DATE	BY	APPV
1	-	SEE SHEET 1	-	-	-

REV	DATE	DESCRIPTION	DATE	BY	APPV
1	-	SEE SHEET 1	-	-	-

REV	DATE	DESCRIPTION	DATE	BY	APPV
1	-	SEE SHEET 1	-	-	-

REV	DATE	DESCRIPTION	DATE	BY	APPV
1	-	SEE SHEET 1	-	-	-

REV	DATE	DESCRIPTION	DATE	BY	APPV
1	-	SEE SHEET 1	-	-	-

REV	DATE	DESCRIPTION	DATE	BY	APPV
1	-	SEE SHEET 1	-	-	-

REV	DATE	DESCRIPTION	DATE	BY	APPV
1	-	SEE SHEET 1	-	-	-

REV	DATE	DESCRIPTION	DATE	BY	APPV
1	-	SEE SHEET 1	-	-	-

REV	DATE	DESCRIPTION	DATE	BY	APPV
1	-	SEE SHEET 1	-	-	-

REV	DATE	DESCRIPTION	DATE	BY	APPV
1	-	SEE SHEET 1	-	-	-

REV	DATE	DESCRIPTION	DATE	BY	APPV
1	-	SEE SHEET 1	-	-	-

REV	DATE	DESCRIPTION	DATE	BY	APPV
1	-	SEE SHEET 1	-	-	-

REV	DATE	DESCRIPTION	DATE	BY	APPV
1	-	SEE SHEET 1	-	-	-

REV	DATE	DESCRIPTION	DATE	BY	APPV
1	-	SEE SHEET 1	-	-	-

REV	DATE	DESCRIPTION	DATE	BY	APPV
1	-	SEE SHEET 1	-	-	-

REV	DATE	DESCRIPTION	DATE	BY	APPV
1	-	SEE SHEET 1	-	-	-

REV	DATE	DESCRIPTION	DATE	BY	APPV
1	-	SEE SHEET 1	-	-	-

REV	DATE	DESCRIPTION	DATE	BY	APPV
1	-	SEE SHEET 1	-	-	-

REV	DATE	DESCRIPTION	DATE	BY	APPV
1	-	SEE SHEET 1	-	-	-

REV	DATE	DESCRIPTION	DATE	BY	APPV
1	-	SEE SHEET 1	-	-	-

REV	DATE	DESCRIPTION	DATE	BY	APPV
1	-	SEE SHEET 1	-	-	-

REV	DATE	DESCRIPTION	DATE	BY	APPV
1	-	SEE SHEET 1	-	-	-

REV	DATE	DESCRIPTION	DATE	BY	APPV
1	-	SEE SHEET 1	-	-	-

REV	DATE	DESCRIPTION	DATE	BY	APPV
1	-	SEE SHEET 1	-	-	-

REV	DATE	DESCRIPTION	DATE	BY	APPV
1	-	SEE SHEET 1	-	-	-

REV	DATE	DESCRIPTION	DATE	BY	APPV
1	-	SEE SHEET 1	-	-	-

REV	DATE	DESCRIPTION	DATE	BY	APPV
1	-	SEE SHEET 1	-	-	-

REV	DATE	DESCRIPTION	DATE	BY	APPV
1	-	SEE SHEET 1	-	-	-

REV	DATE	DESCRIPTION	DATE	BY	APPV
1	-	SEE SHEET 1	-	-	-

REV	DATE	DESCRIPTION	DATE	BY	APPV
1	-	SEE SHEET 1	-	-	-

REV	DATE	DESCRIPTION	DATE	BY	APPV
1	-	SEE SHEET 1	-	-	-

REV	DATE	DESCRIPTION	DATE	BY	APPV
1	-	SEE SHEET 1	-	-	-

REV	DATE	DESCRIPTION	DATE	BY	APPV
1	-	SEE SHEET 1	-	-	-

REV	DATE	DESCRIPTION	DATE	BY	APPV
1	-	SEE SHEET 1	-	-	-

REV	DATE	DESCRIPTION	DATE	BY	APPV
1	-	SEE SHEET 1	-	-	-

REV	DATE	DESCRIPTION	DATE	BY	APPV
1	-	SEE SHEET 1	-	-	-

REV	DATE	DESCRIPTION	DATE	BY	APPV
1	-	SEE SHEET 1	-	-	-

REV	DATE	DESCRIPTION	DATE	BY	APPV
1	-	SEE SHEET 1	-	-	-

REV	DATE	DESCRIPTION	DATE	BY	APPV
1	-	SEE SHEET 1	-	-	-

REV	DATE	DESCRIPTION	DATE	BY	APPV
1	-	SEE SHEET 1	-	-	-

REV	DATE	DESCRIPTION	DATE	BY	APPV
1	-	SEE SHEET 1	-	-	-

REV	DATE	DESCRIPTION	DATE	BY	APPV
1	-	SEE SHEET 1	-	-	-

REV	DATE	DESCRIPTION	DATE	BY	APPV
1	-	SEE SHEET 1	-	-	-

REV	DATE	DESCRIPTION	DATE	BY	APPV
1	-	SEE SHEET 1	-	-	-

REV	DATE	DESCRIPTION	DATE	BY	APPV
1	-	SEE SHEET 1	-	-	-

REV	DATE	DESCRIPTION	DATE	BY	APPV
1	-	SEE SHEET 1	-	-	-

REV	DATE	DESCRIPTION	DATE	BY	APPV
1	-	SEE SHEET 1	-	-	-

REV	DATE	DESCRIPTION	DATE	BY	APPV
1	-	SEE SHEET 1	-	-	-

REV	DATE	DESCRIPTION	DATE	BY	APPV
1	-	SEE SHEET 1	-	-	

LOC	DIST	REVISIONS					
		P	LTN	DESCRIPTION	DATE	DWN	APVD
A1	-			SEE SHEET 1			

- △32 ONLY FOR 2322912-3. TOLERANCE IS +0.1/-0.15
- △33 ONLY FOR 2322912-6. 1-2364737-1. TOLERANCE IS -0.30
- △34 CANDIDATE PRELIMINARY P/N. NOT YET OFFICIAL. ONLY FOR DISCUSSION. NOT YET RELEASED FOR PRODUCTION.
- △35 DOUBLE SOURCE RESIN: ALTERNATIVE RESIN UNDER APPROVAL.

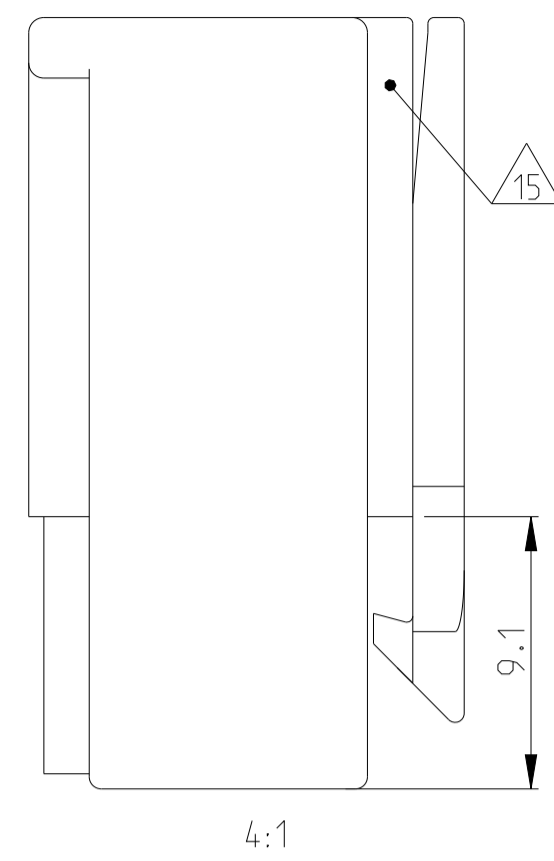
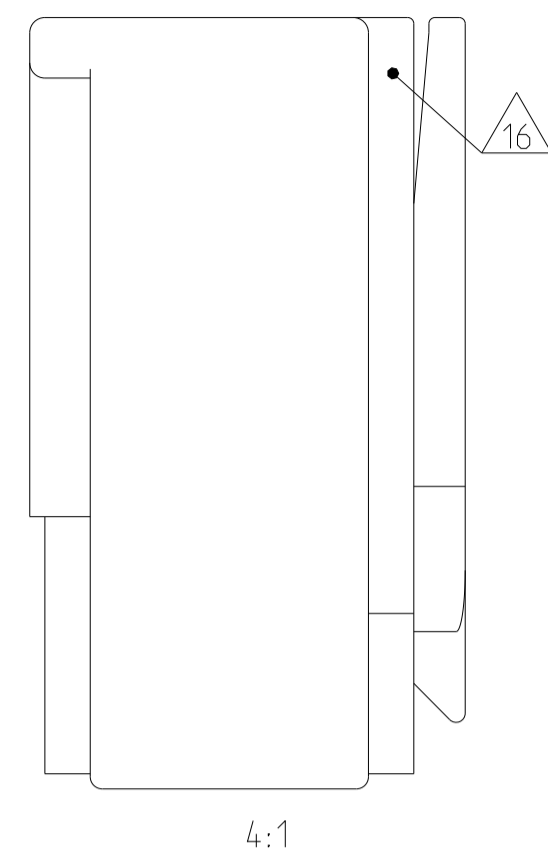
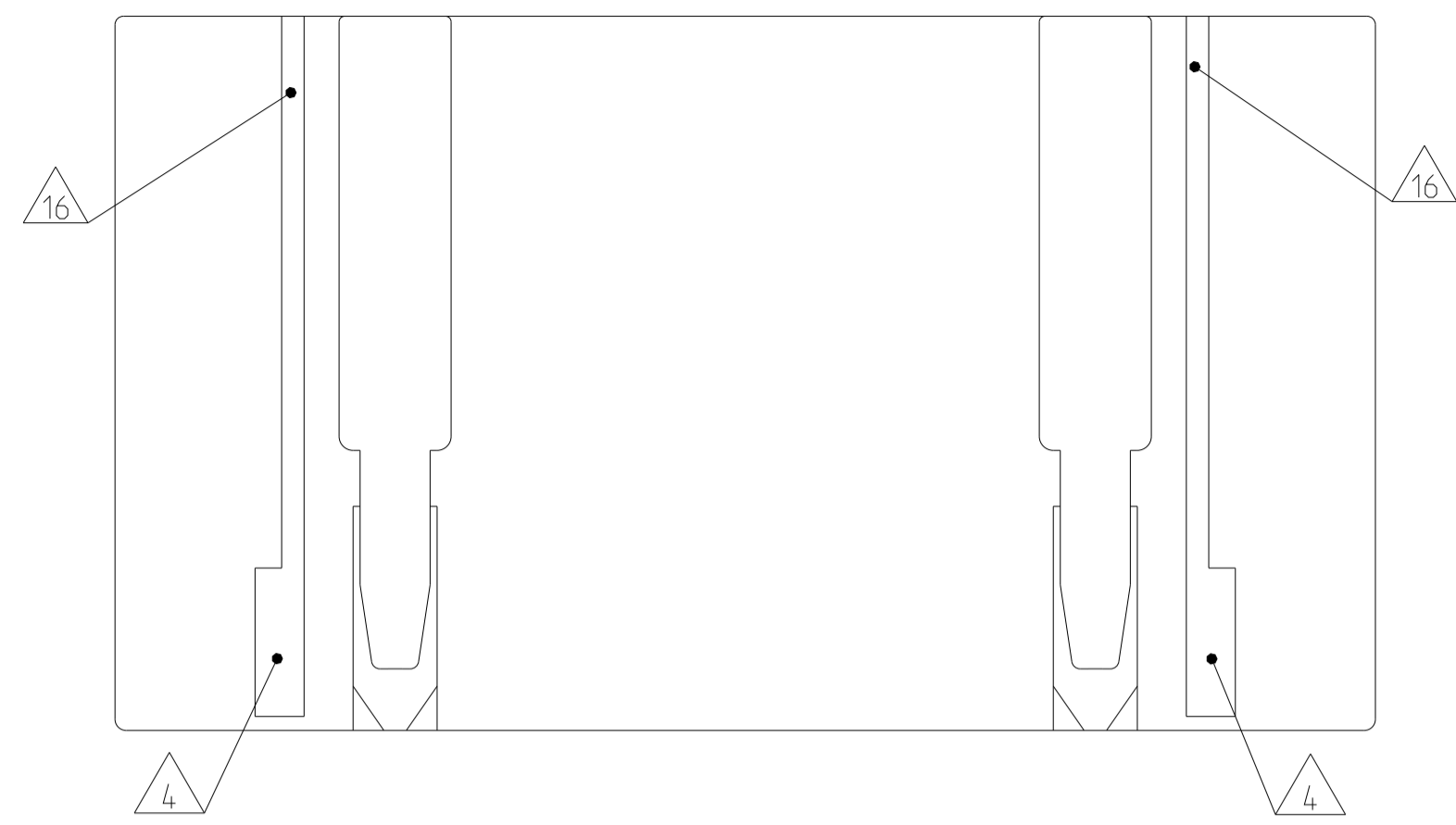
	5-1241965-5	5	05-B	25	20	NATURAL	UL94-V0 & GW EPT 750 no flame △△	E	△△
△△	1-2364737-1	11	11-B	55	50	BLUE		B	△△
	2364737-9	9	-	45	40	BLUE	UL94-V0 & GW EPT 750 no flame △△	C	△△
	2364737-5	5	-	25	20	BLUE		B	△△
	1-2364737-2	2	02-B	10	5	BLUE		B	△△
	2364737-2	2	02-A	10	5	BLUE		B	△△
	2322912-8	8	08-D	40	35	BLUE		B	△△
	2322912-6	6	06-D	30	25	BLUE		B	△△
	2322912-3	3	-	15	10	YELLOW	PA66 UL94 V0 GW T 750	B	△△
	2-2322912-2	2	02-A	10	5	NATURE		B	△△
△	1-2322912-2	2	02-G	10	5	BLUE		B	△△
	2322912-2	2	02-C	10	5	GREY		B	△△
	5-1241965-7	7	07-C	35	30	NATURAL		E	△△
	4-1241965-7	7	-	35	30	NATURAL		E	△△
△	5-1241965-5	5	05-B	25	20	NATURAL		E	△△
	5-1241965-4	4	-	20	15	NATURAL	PA66 UL94 V0 GW T 750 CT1350	E	△△
	4-1241965-4	4	-	20	15	NATURAL		E	△△
△	3-1241965-4	4	-	20	15	NATURAL		E	△△
	2-1241965-4	4	-	20	15	NATURAL		E	△△
	1-1241965-4	4	04-C	20	15	NATURAL		E	△△
	8-1241965-2	2	02-C	10	5	NATURAL		E	△△
	2-1241965-2	2	-	10	5	NATURAL		E	△△
	PART NO.	POS.	RAST 5	DIM A	DIM B	COLOUR	MATERIAL	LOCKING LATCH	MATED WITH
SPECIAL VERSION: UL94 V0 & GW T 750									

2345754-1	2	02-C	10	5	NATURAL	PA66 UL94 V0	E	△△
PART NO.	POS.	RAST 5	DIM A	DIM B	COLOUR	MATERIAL	LOCKING LATCH	MATED WITH
SPECIAL VERSION: UL94 V0								

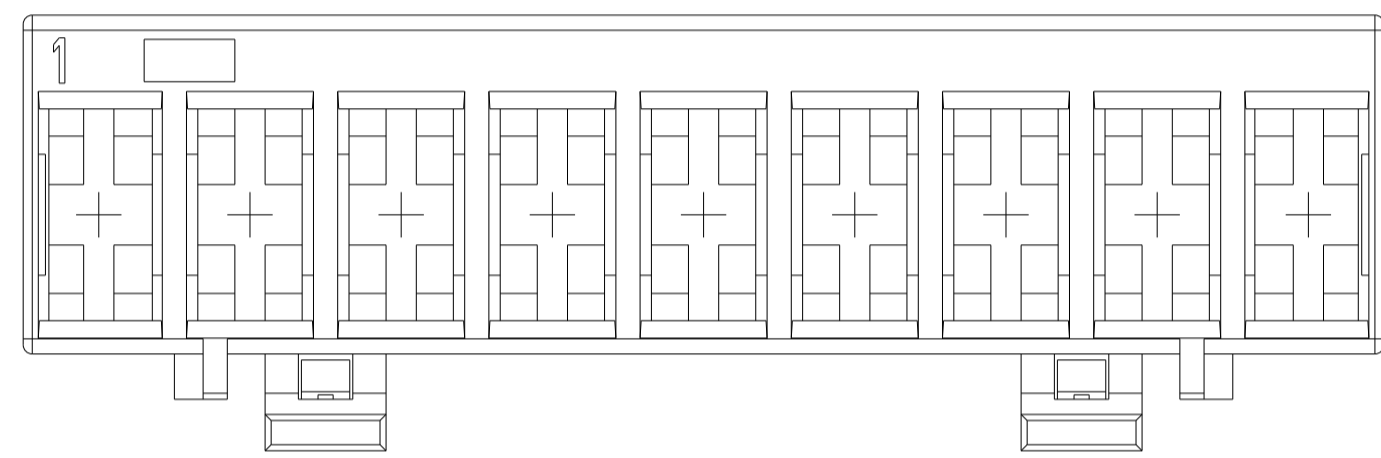
KEYING PLAN SEE SHEET 2 OF 4

THIS DRAWING IS A CONTROLLED DOCUMENT.		OWN Kishor M	18JUL2017	STE TE Connectivity	
DIMENSIONS: mm		CHK K. Munz	07-NOV-06		
TOLERANCES UNLESS OTHERWISE SPECIFIED:		APVD Th. Klenner	07-NOV-06	NAME	
0 PLC ±0.1		PRODUCT SPEC		2-12 POS. STANDARD TIMER HSG WITH EXTERIOR LOCKING	
1 PLC ±0.01		APPLICATION SPEC		108-18049	
2 PLC ±0.001		RESTRICTED TO		-	
3 PLC ±0.0001		SIZE		A1	
4 PLC ±0.0001		CAGE CODE		00779	
ANGLES FINISH		DRAWING NO		C=4241965	
MATERIAL SEE TABLES		WEIGHT		-	
-		Customer Drawing		SCALE 5:1 SHEET 3 OF 4	

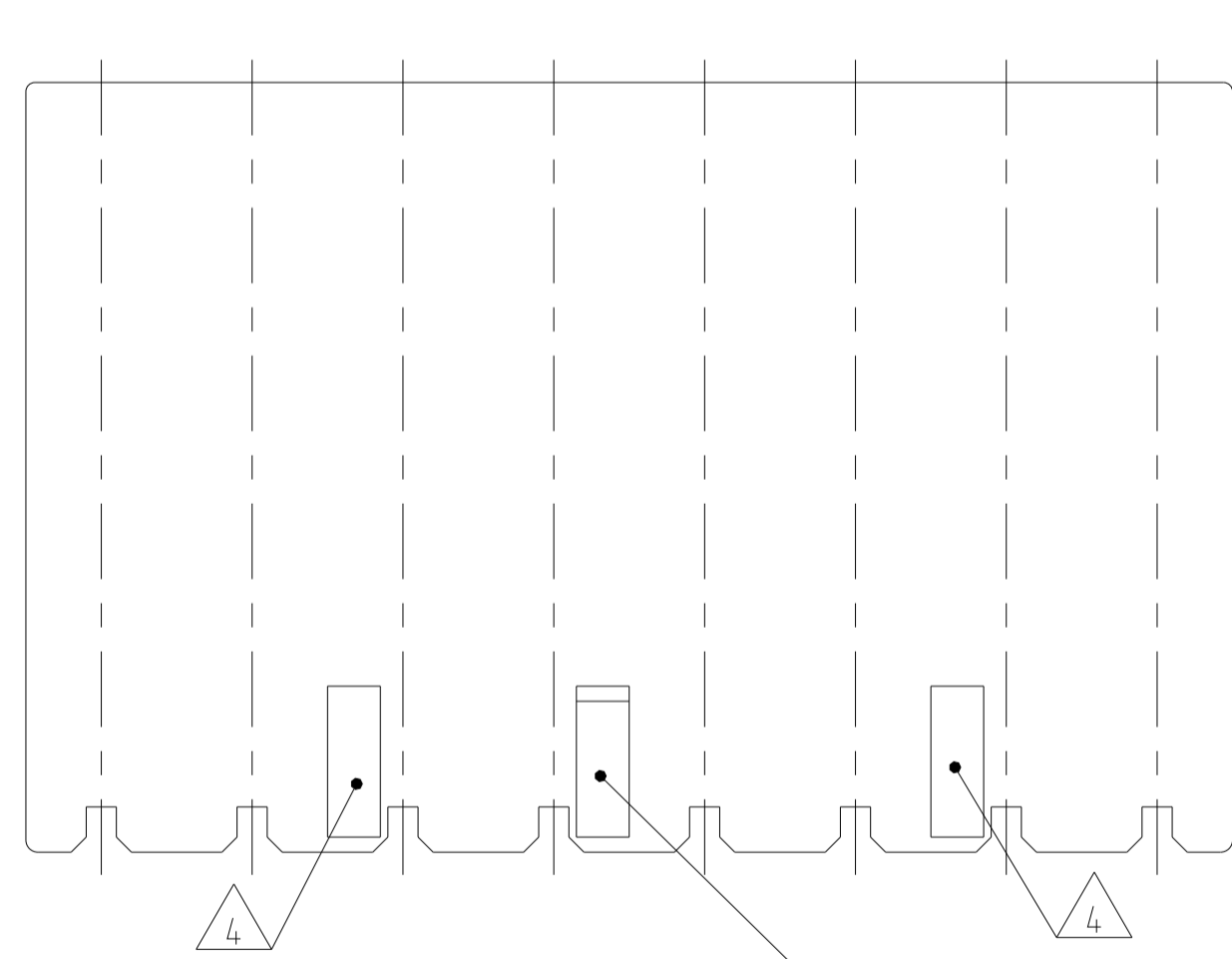
SPECIAL VERSIONS $\triangle 15$ $\triangle 16$
 9 POS STD. TIMER HSG. WITH TANGLING PROTECTION



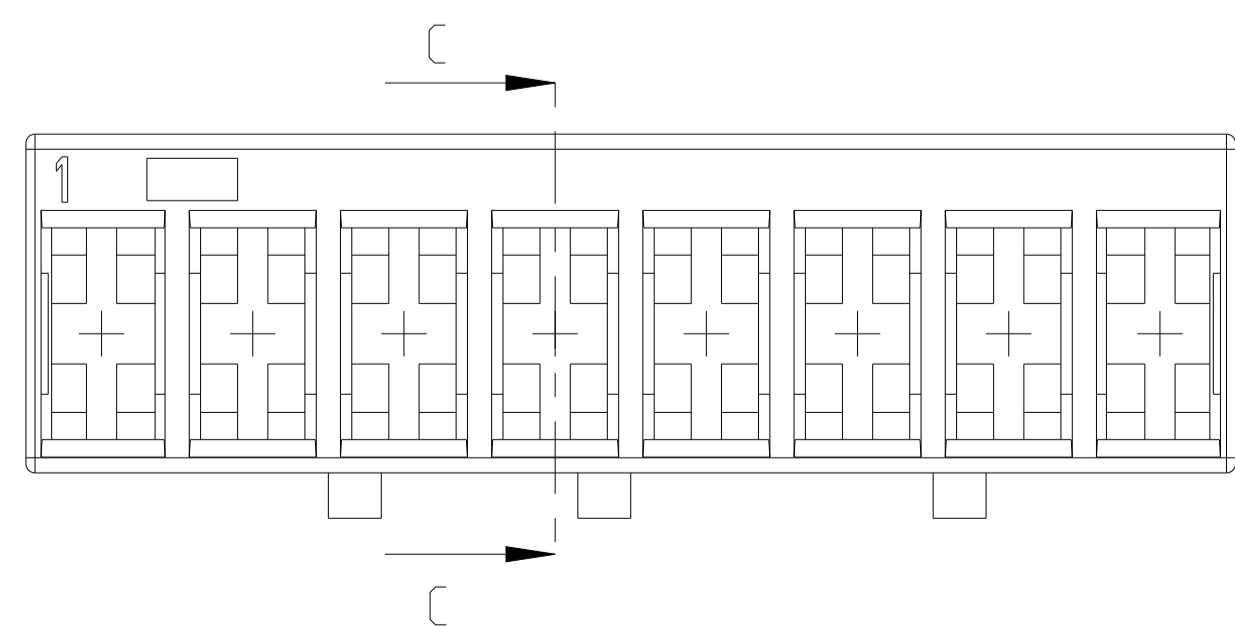
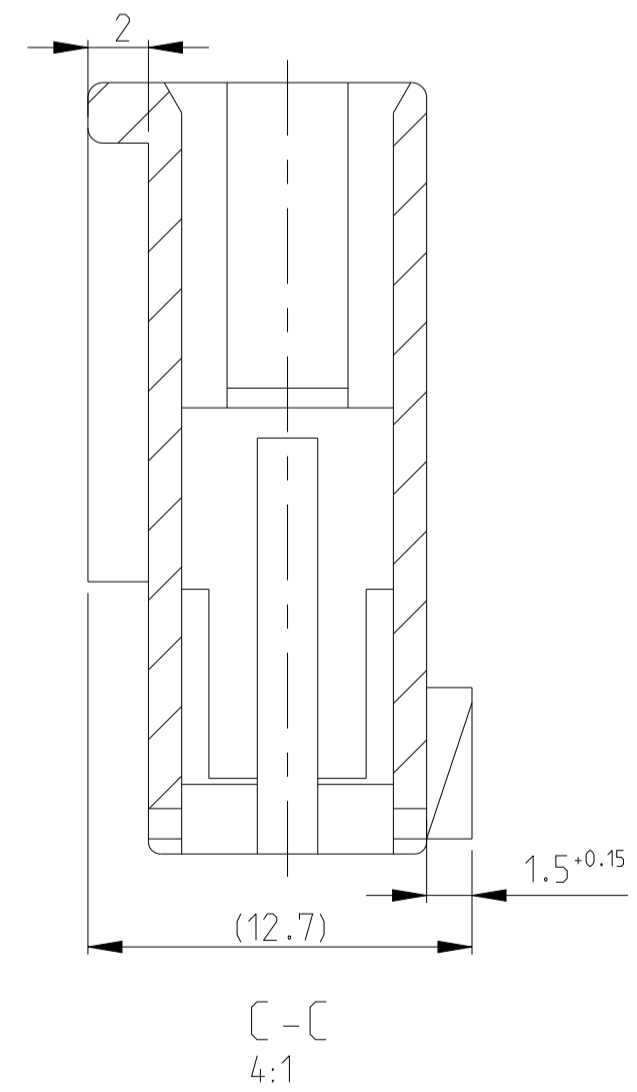
ONLY FOR 0-964702-2



SPECIAL VERSION $\triangle 18$
 8 POS SPECIAL STD. TIMER HSG.



SWAGED KEYING RIB



LOC	DIST	REVISIONS			
P	LTN	DESCRIPTION	DATE	OWN	APVD
A1	-	SEE SHEET 1	-	-	-

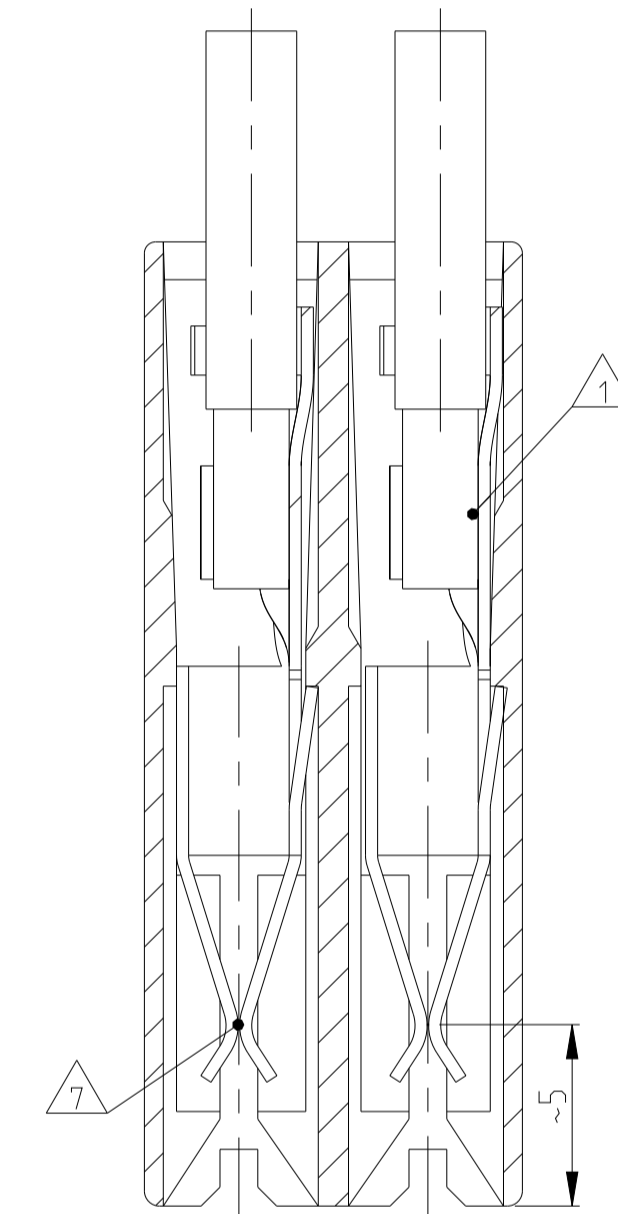
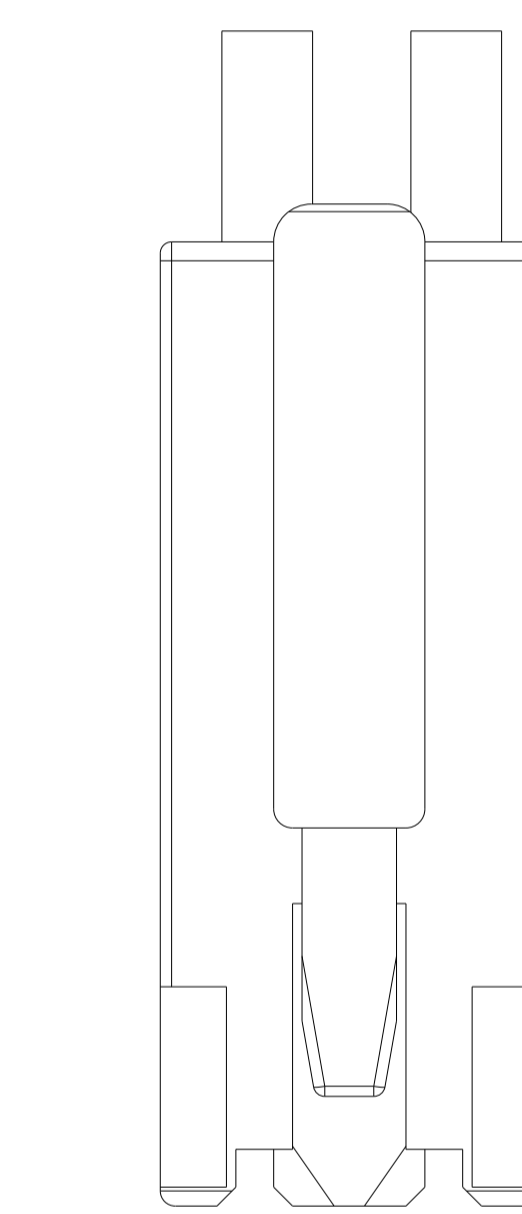
POLARIZATION SIDE ↓

KEYING AND LATCH SIDE ↑

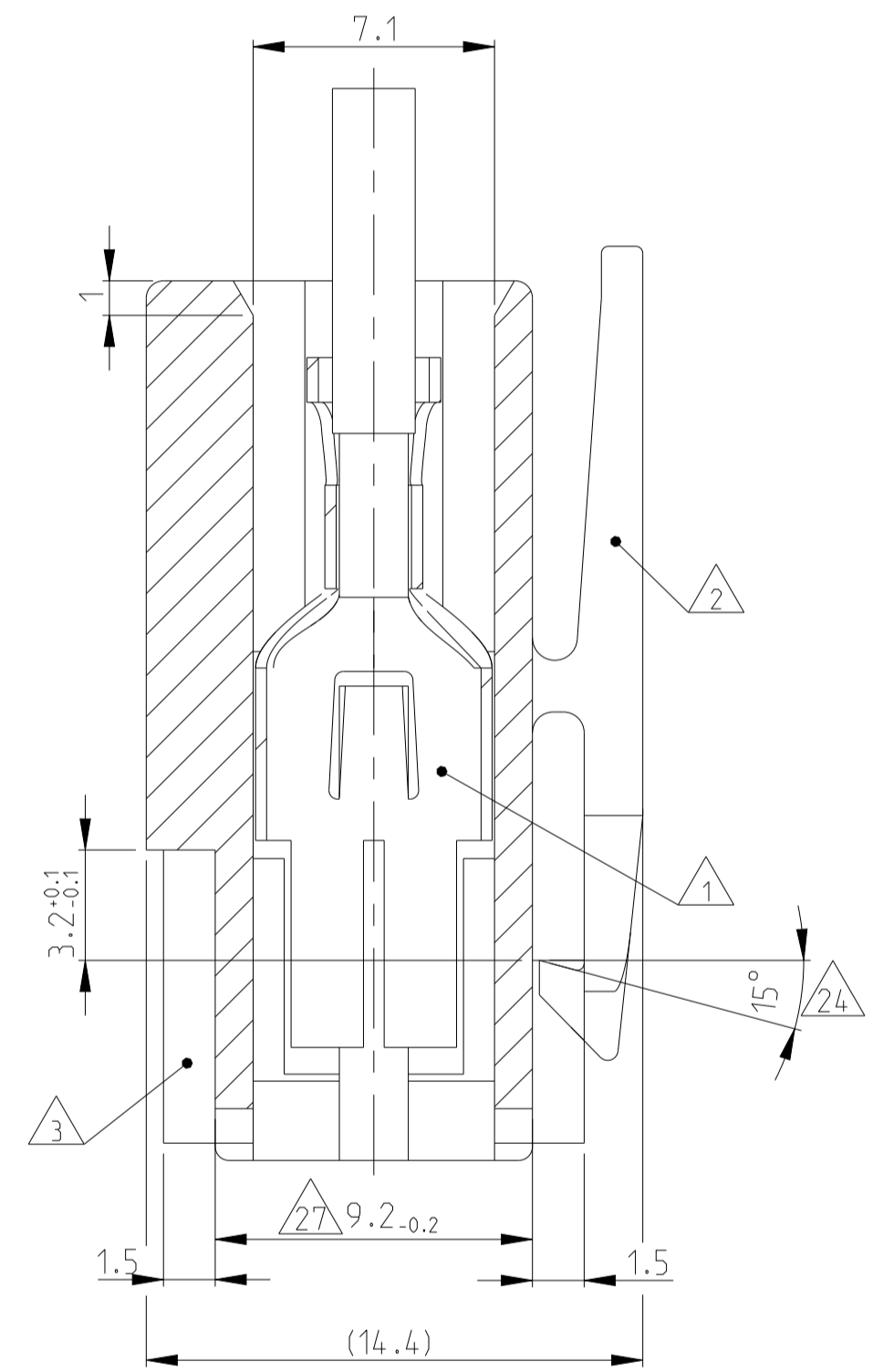
LAYOUT: TAB HEADER HOUSING

SECTION A-A

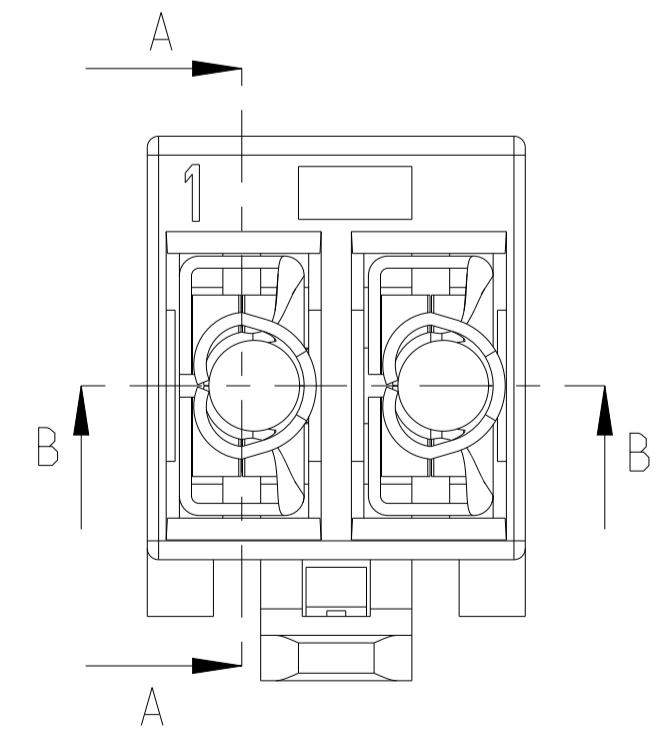
ONLY FOR INFORMATION



SECTION B-B



SECTION A-A



THIS DRAWING IS A CONTROLLED DOCUMENT.

DIMENSIONS:	TOLERANCES UNLESS OTHERWISE SPECIFIED:	OWN: Kishor M	16 JUL 2017	
mm	0-PLC ±0.2	CHK: K. Munz	07-NOV-06	
	1-PLC ±0.1	APVD: Th. Klenner	07-NOV-06	
	2-PLC ±0.05	PRODUCT SPEC		
	3-PLC ±0.001	108-18049	APPLICATION SPEC	NAME: 2-12 POS. STANDARD TIMER HSG WITH EXTERIOR LOCKING
	4-PLC ±0.0001			SIZE: A1
MATERIAL: SEE TABLES	FINISH: -	WEIGHT: -	Customer Drawing	CAGE CODE: 00779
				DRAWING NO: 1241965
				RESTRICTED TO: -
				SCALE: 5:1
				SHEET: 4 OF 4
				REV: B54

X-ON Electronics

Largest Supplier of Electrical and Electronic Components

Click to view similar products for [Automotive Connectors](#) category:

Click to view products by [TE Connectivity](#) manufacturer:

Other Similar products are found below :

[003-018-000](#) [60403001](#) [60993906-B](#) [M902-2131](#) [M902-2161](#) [72.330.1035.1](#) [73.353.4028.0](#) [F119300-B](#) [F166900](#) [F258300-B](#) [F358300-B](#)
[F407400](#) [F444110](#) [F487000](#) [F509500B-B](#) [827153-1](#) [8N1515-32-24P](#) [9-1326729-8](#) [925474-1](#) [928905-1](#) [964562-4](#) [968782-1](#) [GT17SA-8DS-](#)
[HU](#) [98891-1012](#) [98947-1016](#) [12004147](#) [12004475-L](#) [12010290](#) [12010309-B](#) [12015454](#) [12020219-B](#) [12020308](#) [12041318-B](#) [12052225-L](#)
[12052466](#) [12059125](#) [12064869](#) [12004327-B](#) [12010503-B](#) [12015308](#) [12015384](#) [12015909](#) [1-21030-1](#) [12041254](#) [12041318](#) [12047946-B](#)
[12047957](#) [12047957-L](#) [12059473](#) [12066261](#)