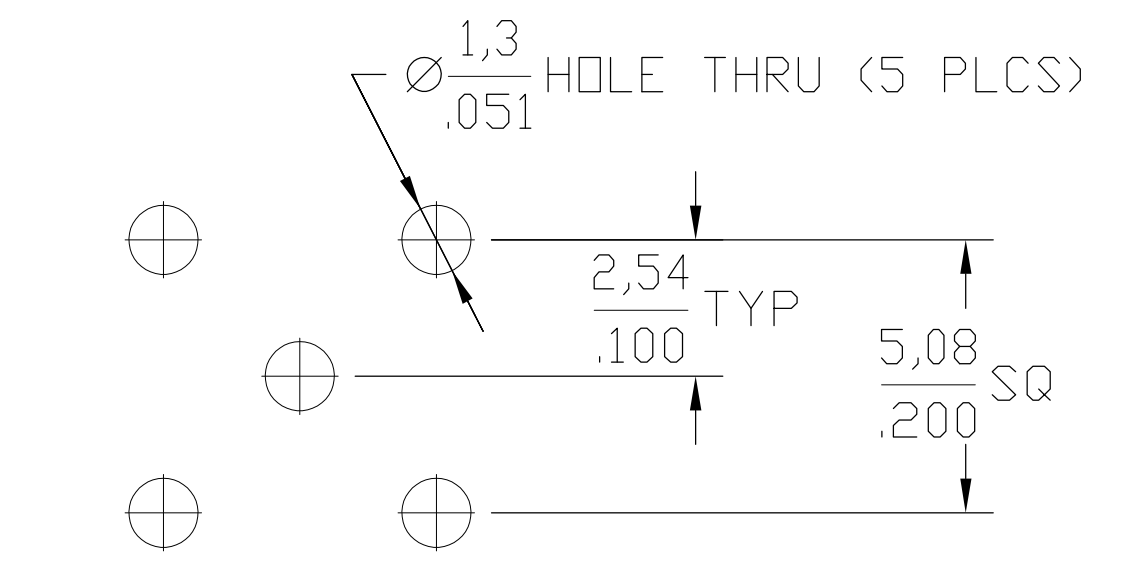
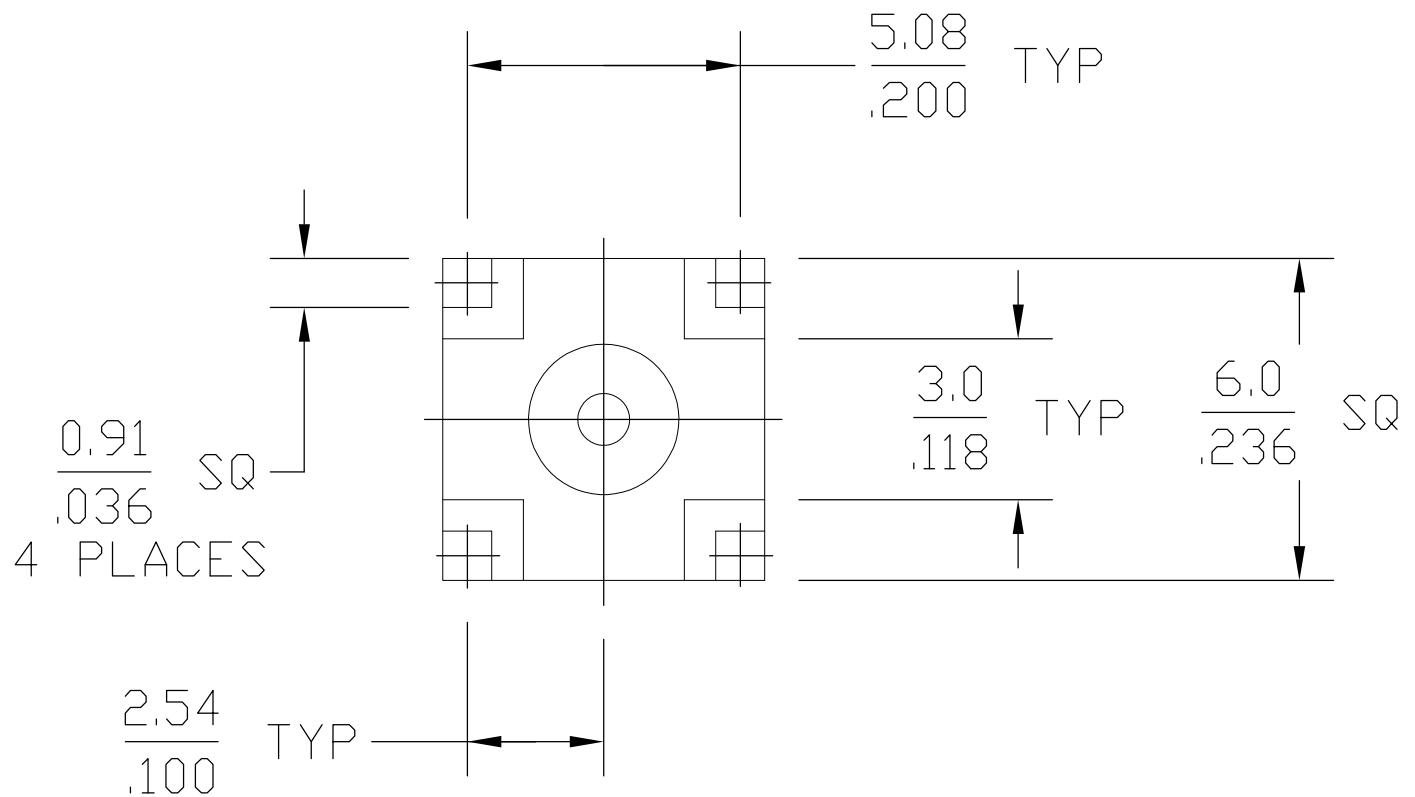
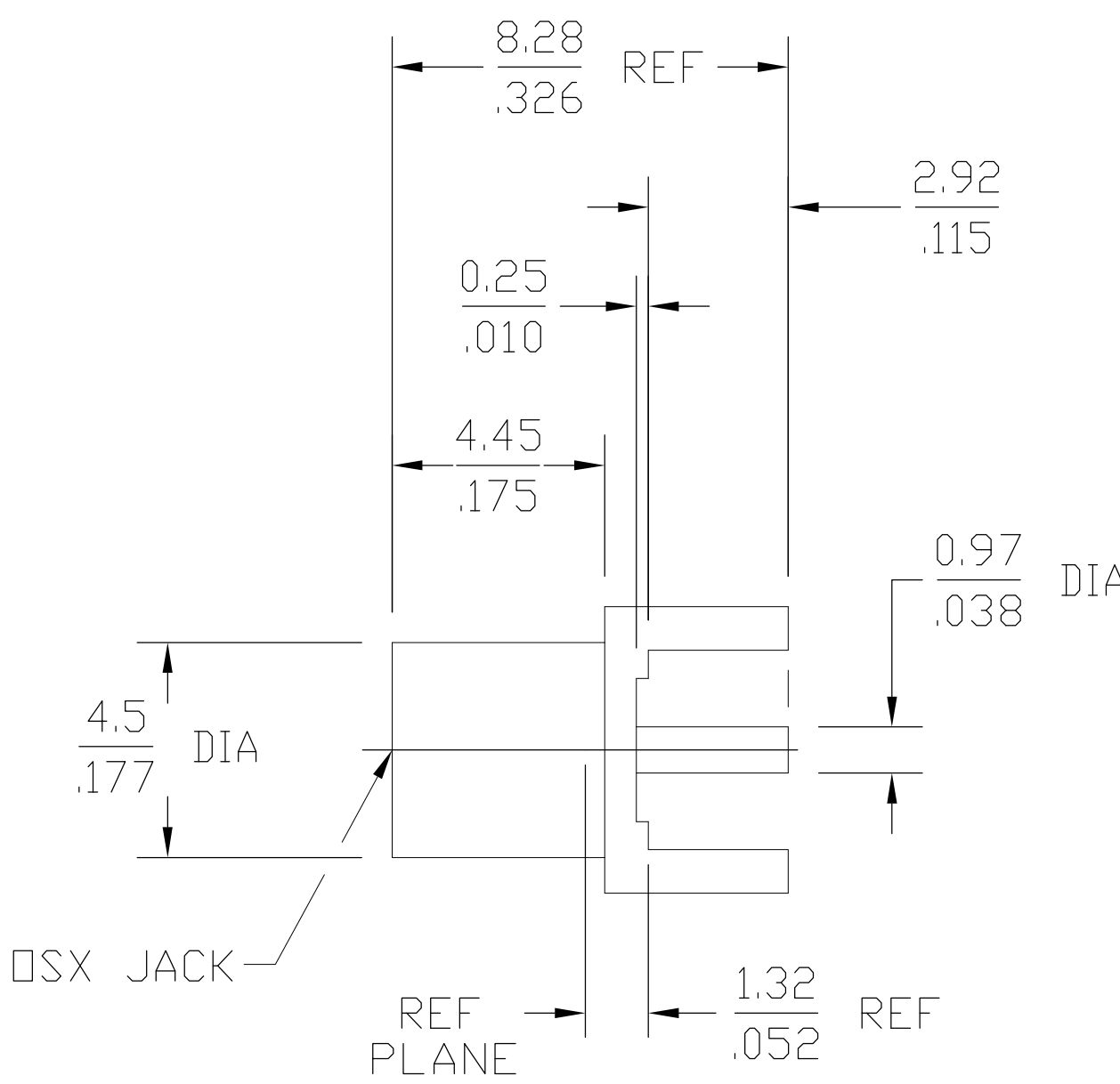


THIS DRAWING IS UNPUBLISHED. RELEASED FOR PUBLICATION  
 © COPYRIGHT BY TYCO ELECTRONICS CORPORATION. ALL RIGHTS RESERVED.

LOC	DIST	REVISIONS					
00	AJ	P	LTR	DESCRIPTION	DATE	DWN	APVD
		B		REV PER ECO 07-019611	8/27/2007	DW	JL



RECOMMENDED MOUNTING HOLE PATTERN

CAPTURED CENTER CONTACT

ELECTRICAL
Nominal Impedance (Ohms) <u>50</u>
Frequency Range (GHz) <u>DC TO 6.0</u>
Voltage Rating (VRMS MAX) <u>335 @ Sea level</u>
VSWR <u>N/A</u>
Insertion Loss <u>N/A</u>
Corona, 70,000 Ft (VRMS MIN) <u>250</u> D.W.V.
(VRMS MIN) <u>1000</u>
Contact Resistance
Center Contact (Milliohms MAX) <u>5.0</u>
Outer Contact (Milliohms MAX) <u>1.0</u>
RF High Potential (VRMS MIN @ 5 MHz) <u>670</u>
I.R. (Megohms Min) <u>10,000</u>

MECHANICAL
Force to Engage: (Lbs) <u>3.4 MAX</u>
Force to Disengage: (Lbs) <u>1.77 MIN - 4.5 MAX</u>
Center Contact Captivation: Axial <u>4.5lbs @ 1 minute</u> with <u>.006"</u> displacement

XX.XX = mm  
.XXX = in

ENVIRONMENTAL
Temperature Rating <u>-65°C TO +165°C</u>
Vibration MIL-STD-202, Method 204, Condition B
Thermal shock MIL-STD-202, Method 107, Condition B
Moisture Resistance MIL-STD-202, Method 106
Corrosion MIL-STD-202, Method 101, Condition B, <u>48 Hrs</u>

COMPONENT	MATERIAL	FINISH
HOUSING	BRASS, PER ASTM-B-16 HALF HARD	GOLD PLATE PER MIL-G-45204
DIELECTRIC	TFE FLUOROCARBON PER ASTM-D-1457	N/A
CENTER CONTACT	BERYLLIUM COPPER PER ASTM B 196, ALLOY C17300, CONDITION H	GOLD PLATE PER MIL-G-45204

THIS DRAWING IS A CONTROLLED DOCUMENT.

DWN K.C. MAHER 10/18/90	Tyco Electronics Corporation Harrisburg, PA 17105-3608																						
CHK M.Y 10/19/90																							
APVD D.R.L 10/19/90																							
NAME OSX PRINTED WIRING BOARD JACK RECEPTACLE STARIGHT TREMINAL (5862-5002-10)																							
DIMENSIONS: mm	TOLERANCES UNLESS OTHERWISE SPECIFIED:	SIZE A2	CAGE CODE 00779	DRAWING NO 1252294-1	RESTRICTED TO																		
<table border="1"> <tr> <td>0 PLC</td> <td>±</td> <td>-</td> </tr> <tr> <td>1 PLC</td> <td>±</td> <td>-</td> </tr> <tr> <td>2 PLC</td> <td>±</td> <td>.13</td> </tr> <tr> <td>3 PLC</td> <td>±</td> <td>-</td> </tr> <tr> <td>4 PLC</td> <td>±</td> <td>-</td> </tr> <tr> <td>ANGLES</td> <td>±</td> <td>1°</td> </tr> </table>	0 PLC	±	-	1 PLC	±	-	2 PLC	±	.13	3 PLC	±	-	4 PLC	±	-	ANGLES	±	1°	FINISH	WEIGHT -	SCALE 5:1	SHEET 1 of 1	REV B
0 PLC	±	-																					
1 PLC	±	-																					
2 PLC	±	.13																					
3 PLC	±	-																					
4 PLC	±	-																					
ANGLES	±	1°																					
MATERIAL -	CUSTOMER DRAWING																						

1252294-1

## X-ON Electronics

Largest Supplier of Electrical and Electronic Components

*Click to view similar products for [RF Connectors / Coaxial Connectors](#) category:*

*Click to view products by [TE Connectivity](#) manufacturer:*

Other Similar products are found below :

[8915-1511-000](#) [89674-0827](#) [6001-7071-019](#) [6002-7051-003](#) [6002-7551-202](#) [6059674-1](#) [619550-1](#) [630059-000](#) [M39030/3-01N](#) [6500-7071-046](#) [6769](#) [CX050L2AQ](#) [7002-1541-010](#) [7002-1542-011](#) [7004-1512-000](#) [7009-1511-004](#) [7010-1511-000](#) [7029-1511-060](#) [7101-1541-010](#) [7101-1571-002](#) [7145-1521-002](#) [7203-1571-003](#) [7209-1511-011](#) [7210-1511-015](#) [7210-1511-019](#) [73137-5015](#) [73216-2241](#) [73404-2300](#) [7405-1521-005](#) [7405-1521-802](#) [8527](#) [8547](#) [FS11V](#) [877931](#) [8808-1511-001](#) [9049-9513-000](#) [9074-9513-000](#) [9101-9573-002](#) [910A205F](#) [9130-9573-002](#) [PL11SC-026](#) [PL375-33](#) [PL40-5](#) [PL74C-221](#) [PL75MC-217](#) [PL803-7](#) [1200690078](#) [1-201144-1](#) [R107003010W](#) [R110A172100](#)