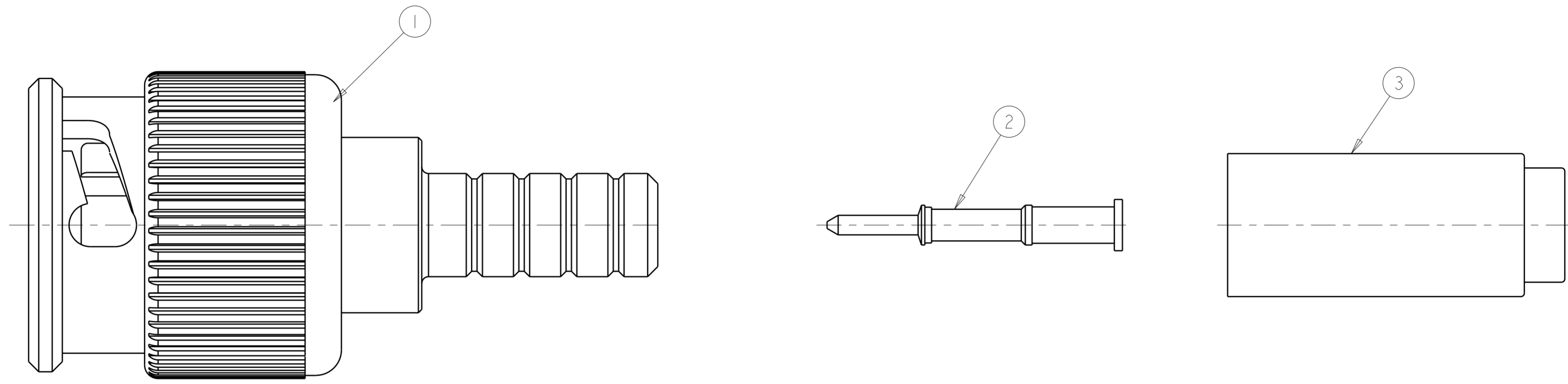


THIS DRAWING IS UNPUBLISHED. RELEASED FOR PUBLICATION 20
 © COPYRIGHT 20 BY - ALL RIGHTS RESERVED.

LOC	DIST	REVISIONS					
		P	LTR	DESCRIPTION	DATE	DWN	APVD
AJ	16			D3 REVISED PER ECR-16-005294	12APR2016	BW	RS
				D4 REVISED PER ECR-17-009545	04AUG2017	AS	RS
				D5 ECO-19-002795	27MAR2019	RZ	RS

- ITEMS PACKAGED UNASSEMBLED
- SEE SEPARATE CUSTOMER DRAWINGS FOR ITEM DETAILS
- SEE INSTRUCTION SHEET 408-8871 FOR CABLE TERMINATION DETAILS



ELECTRICAL	MECHANICAL	ENVIRONMENTAL
Impedance (Ohm) <u>75</u>	Interface Dimension : Fig. <u>-</u>	TEMPERATURE RANGE <u>-40C° TO + 85C°</u>
Frequency Range (GHz) <u>DC to 1GHZ</u>	Recommended Coupling Torque <u>N/A</u>	THERMAL SHOCK <u>EIA-364-32</u>
Voltage Rating (Peak) <u>@ Sea Level 300 V RMS</u>	Force to Engage and Disengage (In/lbs) <u>7.0 MAX</u>	MOISTURE RESISTANCE <u>EIA-364-32, METHOD 11 COND C</u>
Insulation Resistance (MIN.) <u>1000 M ohms</u>	Center Contact Captivation Axial (Lbs) <u>2.0</u> Radial (In/Oz) <u>N/A</u>	ROHS <u>COMPLIANT</u>
Contact Resistance (Milliohms MAX) Center Contact <u>6.0</u> Outer Contact <u>3.0</u>	Cable Retention Axial (Lbs) <u>N/A</u> Radial (In/Oz) <u>N/A</u>	
Dielectric Withstand Voltage: <u>750 V RMS Max</u>	Mating cycles <u>500</u> cycles	
Insertion Loss : <u>N/A</u>		
VSWR: <u>1.3 MAX</u>		
RF leakage: <u>N/A</u>		
3rd Intermodulation: <u>N/A</u>		

	RG179	.042[1.07]	.178[4.52]	1274563-3
OBSOLETE	734A	.042[1.07]	.255[6.48]	1274563-2
OBSOLETE	735A	.042[1.07]	.178[4.52]	1274563-1
STATUS	CABLE	CONTACT CRIMP (SQUARE)	FERRULE CRIMP (HEX)	PN

9-413658-0	1274565-6	2081579-1	1274563-3
9-221132-3	1274565-4	1274564-2	1274563-2
9-413658-2	1274565-2	1274564-1	1274563-1
FERRULE QTY = 1 (3)	CONTACT QTY = 1 (2)	PLUG ASSY QTY = 1 (1)	PART NUMBER

THIS DRAWING IS A CONTROLLED DOCUMENT.

DIMENSIONS: INCHES [mm]	TOLERANCES UNLESS OTHERWISE SPECIFIED:	DWN: K. WEIDNER 03OCT2003	TE Connectivity
	0 PLC ±	CHK: G. MICHAEL 13FEB2004	
	1 PLC ±	APVD: K. WEIDNER 13FEB2004	
	2 PLC ±	PRODUCT SPEC: 108-2159	
MATERIAL	FINISH	APPLICATION SPEC: -	NAME: STRAIGHT PLUG KIT, MINI BNC
		WEIGHT: -	SIZE: A200779 CAGE CODE: C-1274563
		CUSTOMER DRAWING	RESTRICTED TO: -
			SCALE: 2:1 SHEET 1 OF 1 REV: D5

X-ON Electronics

Largest Supplier of Electrical and Electronic Components

Click to view similar products for [TE Connectivity](#) manufacturer:

Other Similar products are found below :

[D38999/24FJ4AN](#) [570416-000](#) [CLTEQ-M81CE-SSRELAY-4-20V](#) [4-1195131-0](#) [650069-000](#) [SMD100-2](#) [358838-000](#) [CB-1022B-78](#)
[RM707012](#) [RP410012](#) [MMS42](#) [1-640426-8](#) [2EDL4CM](#) [DTS20W19-11PD-3028-LC](#) [RM202615](#) [NC6-P104-06](#) [MSPS103B](#) [DTS26F21-](#)
[41HE-LC](#) [DTS26F21-41AE](#) [DTS26F21-41PE-LC](#) [DTS26F21-11SE-3028-LC](#) [30DCB6](#) [1932144-1](#) [293545-4](#) [LVR125S](#) [MS27466T25F4PB](#)
[CKB-38-78010](#) [TR04AI-TINELLOCKRING](#) [1206SFF150F/63-2](#) [D38999/20JB35HA](#) [TE1500A2R2J](#) [D38999/20WC8BB](#) [DTS24F19-11SC-](#)
[3028-LC](#) [D38999/24WG11HA](#) [D38999/24WG11HN](#) [MS27467T21F11H](#) [DJT16E21-11HA](#) [MS27467T21F35J](#) [MS27467T21F11J](#)
[MS27467T21F16H-LC](#) [MS27467T21F35H](#) [MS27467T21F41H-LC](#) [1206SFH150F/24-2](#) [RP330024](#) [DJT16E21-11PA-LC](#) [DJT16E21-11HA-](#)
[LC](#) [DJT16E21-11AA](#) [MS27467T21B11JA](#) [DJT16E21-11JA](#) [MS27467T21B11JA-LC](#)