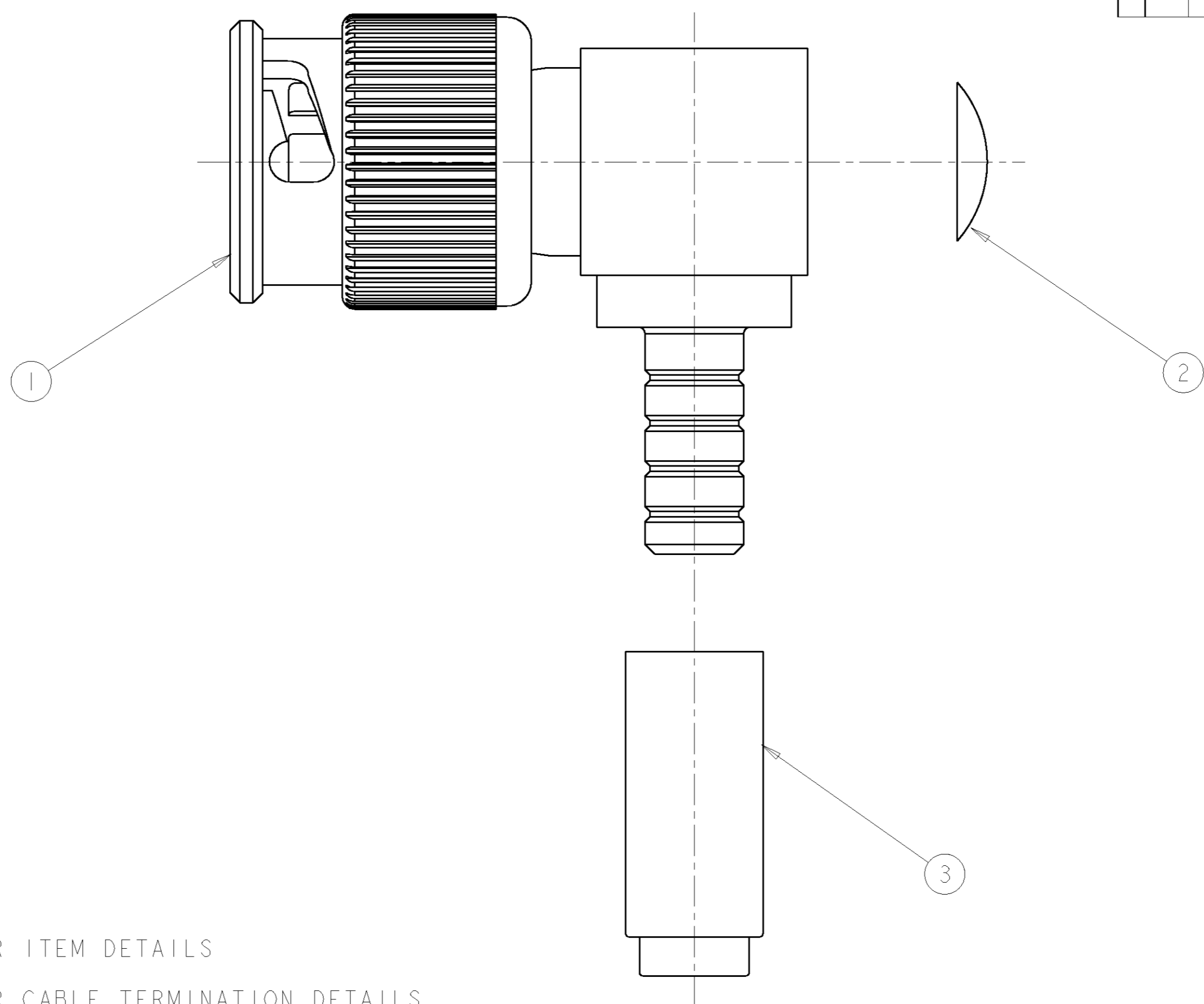


THIS DRAWING IS UNPUBLISHED. RELEASED FOR PUBLICATION 20
 © COPYRIGHT 20 BY TYCO ELECTRONICS CORPORATION. ALL RIGHTS RESERVED.

LOC	DIST	REVISIONS			
P	LTR	DESCRIPTION	DATE	DWN	APVD
	D	REV PER 0S14-0345-04	09AUG2004	KW	KW



- 1. ITEMS PACKAGED UNASSEMBLED
- 2. SEE SEPARATE CUSTOMER DRAWINGS FOR ITEM DETAILS
- 3. SEE INSTRUCTION SHEET 408-8872 FOR CABLE TERMINATION DETAILS

RG179	.178 [4.52]	9-413658-0	414013-3	1274567-3	1274566-3
734A	.255 [6.48]	9-221132-3	414013-3	1274567-2	1274566-2
735A	.178 [4.52]	9-413658-2	414013-3	1274567-1	1274566-1
CABLE	FERRULE CRIMP (HEX)	③ FERRULE QTY = 1	② END CAP QTY = 1	① PLUG ASSY QTY = 1	PART NUMBER

THIS DRAWING IS A CONTROLLED DOCUMENT FOR TYCO ELECTRONICS CORPORATION. IT IS SUBJECT TO CHANGE AND THE CONTROLLING ENGINEERING ORGANIZATION SHOULD BE CONTACTED FOR THE LATEST REVISION.

DWN	K. WEIDNER	16OCT2003	Tyco Electronics Harrisburg, PA 17105-3608			
CHK	G. MICHAEL	3FEB2004				
APVD	K. WEIDNER	3FEB2004				
NAME	R/A PLUG KIT, MINI BNC					
PRODUCT SPEC	108-2159		SIZE	CAGE CODE	DRAWING NO	RESTRICTED TO
APPLICATION SPEC			A2	00779	1274566	-
WEIGHT			SCALE	SHEET		REV
CUSTOMER DRAWING			6:1	1 OF 1		D

DIMENSIONS:		TOLERANCES UNLESS OTHERWISE SPECIFIED:	
INCHES [mm]			
0 PLC	±		
1 PLC	±		
2 PLC	±		
3 PLC	±		
4 PLC	±		
ANGLES	±		
FINISH			

X-ON Electronics

Largest Supplier of Electrical and Electronic Components

Click to view similar products for [RF Connectors / Coaxial Connectors](#) category:

Click to view products by [TE Connectivity](#) manufacturer:

Other Similar products are found below :

[8915-1511-000](#) [89674-0827](#) [6001-7071-019](#) [6002-7051-003](#) [6002-7551-202](#) [6059674-1](#) [619550-1](#) [630059-000](#) [M39030/3-01N](#) [6500-7071-046](#) [6769](#) [CX050L2AQ](#) [7002-1541-010](#) [7002-1542-011](#) [7004-1512-000](#) [7009-1511-004](#) [7010-1511-000](#) [7029-1511-060](#) [7101-1541-010](#) [7101-1571-002](#) [7145-1521-002](#) [7203-1571-003](#) [7209-1511-011](#) [7210-1511-015](#) [7210-1511-019](#) [73137-5015](#) [73216-2241](#) [73404-2300](#) [7405-1521-005](#) [7405-1521-802](#) [8527](#) [8547](#) [FS11V](#) [877931](#) [8808-1511-001](#) [9049-9513-000](#) [9074-9513-000](#) [9101-9573-002](#) [910A205F](#) [9130-9573-002](#) [PL11SC-026](#) [PL375-33](#) [PL40-5](#) [PL74C-221](#) [PL75MC-217](#) [PL803-7](#) [1200690078](#) [1-201144-1](#) [R107003010W](#) [R110A172100](#)