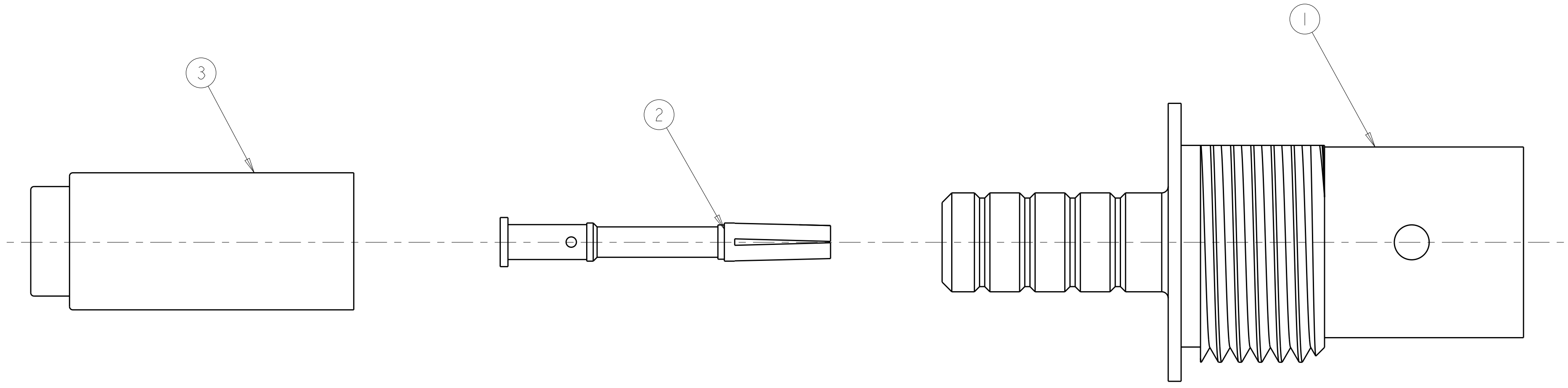
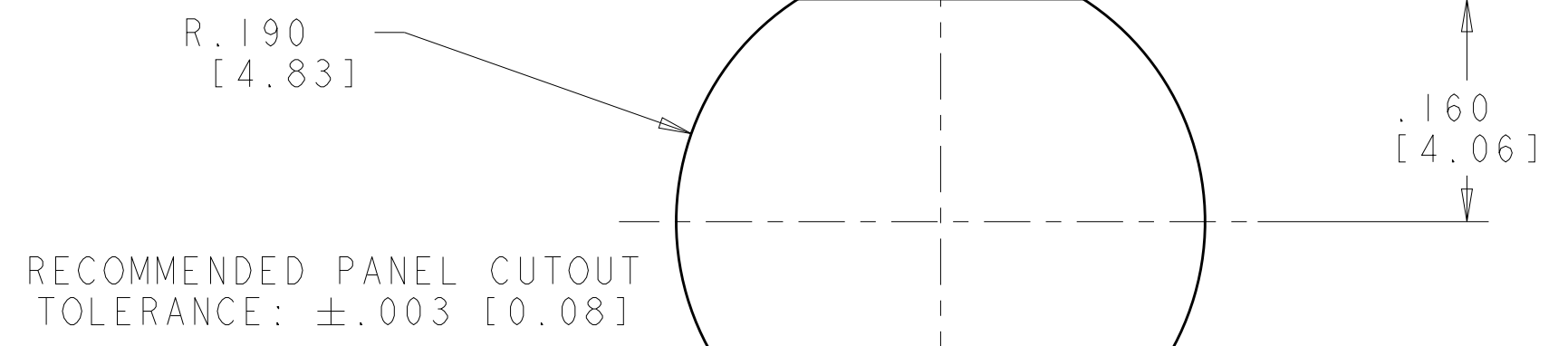


THIS DRAWING IS UNPUBLISHED. RELEASED FOR PUBLICATION 20  
 © COPYRIGHT 20 ALL RIGHTS RESERVED.

LOC	DIST	REVISIONS			
P	LTR	DESCRIPTION	DATE	DWN	APVD
AJ	16	E2	REVISED PER ECR-17-009545	17JUL2017	AS RS
		E3	ECO-15-013027	25JUN2018	RZ RS



- 1. ITEMS PACKAGED UNASSEMBLED.
- 2. ITEMS 4 AND 5 NOT SHOWN FOR CLARITY.
- 3. SEE SEPARATE CUSTOMER DRAWINGS FOR ITEM DETAILS.
- 4. SEE INSTRUCTION SHEET 408-8871 FOR CABLE TERMINATION DETAILS.



	RG179	.042 [1.07]	.178 [4.52]	1-329492-1	2-330249-2	9-413658-0	1274570-9	1274569-3	1274568-3
OBSOLETE	<del>734A</del>	<del>.042 [1.07]</del>	<del>.255 [6.48]</del>	<del>1-329492-1</del>	<del>2-330249-2</del>	<del>9-221132-3</del>	<del>1274570-6</del>	<del>1274569-2</del>	<del>1274568-2</del>
OBSOLETE	<del>735A</del>	<del>.042 [1.07]</del>	<del>.178 [4.52]</del>	<del>1-329492-1</del>	<del>2-330249-2</del>	<del>9-413658-2</del>	<del>1274570-3</del>	<del>1274569-1</del>	<del>1274568-1</del>
	CABLE	CONTACT CRIMP (SQUARE)	FERRULE CRIMP (HEX)	⑤ LOCKWASHER QTY = 1	④ JAM NUT QTY = 1	③ FERRULE QTY = 1	② CONTACT QTY = 1	① JACK ASSY QTY = 1	PART NUMBER

THIS DRAWING IS A CONTROLLED DOCUMENT.

DIMENSIONS: INCHES [mm]	TOLERANCES UNLESS OTHERWISE SPECIFIED:	DWN: K. WEIDNER 02JUN2003	TE Connectivity
0 PLC ±	1 PLC ±	CHK: G. MICHAEL 13FEB2004	
2 PLC ±	3 PLC ±.005 [0.13]	APVD: K. WEIDNER 13FEB2004	
4 PLC ±	ANGLES ±2	PRODUCT SPEC: 108-2159	NAME: BULKHEAD JACK KIT, MINI BNC
MATERIAL	FINISH	APPLICATION SPEC	SIZE: A200779 C-1274568
		WEIGHT	RESTRICTED TO
		CUSTOMER DRAWING	SCALE: 4:1 SHEET 1 OF 1 REV E3

## X-ON Electronics

Largest Supplier of Electrical and Electronic Components

*Click to view similar products for [RF Connectors / Coaxial Connectors](#) category:*

*Click to view products by [TE Connectivity](#) manufacturer:*

Other Similar products are found below :

[8915-1511-000](#) [89674-0827](#) [6001-7071-019](#) [6002-7051-003](#) [6002-7551-202](#) [6059674-1](#) [619550-1](#) [630059-000](#) [M39030/3-01N](#) [6500-7071-046](#) [6769](#) [CX050L2AQ](#) [7002-1541-010](#) [7002-1542-011](#) [7004-1512-000](#) [7009-1511-004](#) [7010-1511-000](#) [7029-1511-060](#) [7101-1541-010](#) [7101-1571-002](#) [7105-1521-002](#) [7145-1521-002](#) [7203-1571-003](#) [7209-1511-011](#) [7210-1511-015](#) [7210-1511-019](#) [73137-5015](#) [73216-2241](#) [73404-2300](#) [7405-1521-005](#) [7405-1521-802](#) [8527](#) [8547](#) [FS11V](#) [877931](#) [9049-9513-000](#) [9074-9513-000](#) [9101-9573-002](#) [910A205F](#) [9130-9573-002](#) [PL11SC-026](#) [PL375-33](#) [PL40-5](#) [PL74C-221](#) [PL75MC-217](#) [PL803-7](#) [1200690078](#) [1-201144-1](#) [R107003010W](#) [R110A172100](#)